



US00D776767S

(12) **United States Design Patent** (10) **Patent No.:** **US D776,767 S**
Randleman et al. (45) **Date of Patent:** **** Jan. 17, 2017**

(54) **EXERCISE PLATFORM**

(56) **References Cited**

(71) Applicants: **Erica Gay Randleman**, Aurora, CO (US); **Troy Franklin Randleman**, Sandusky, OH (US); **Courtney Lynne Turner**, Haymarket, VA (US)

(72) Inventors: **Erica Gay Randleman**, Aurora, CO (US); **Troy Franklin Randleman**, Sandusky, OH (US); **Courtney Lynne Turner**, Haymarket, VA (US)

(**) Term: **14 Years**

(21) Appl. No.: **29/515,665**

(22) Filed: **Jan. 26, 2015**

(51) **LOC (10) Cl.** **21-02**

(52) **U.S. Cl.**
USPC **D21/686**

(58) **Field of Classification Search**
USPC D21/797, 694, 671, 686, 698, 699, 680, D21/685, 692, 687, 689, 318, 688, 412, D21/333, 683, 798; D8/330, 1, 16; 482/142, 52, 51, 482/30, 74, 91, 140, 25, 482/94, 122; D19/37, 64, 59; D9/624, D9/629; D14/417, 496; 15/104.93, 15/105, 118, 229.11, 208; D25/139, 155, D25/62, 65; D6/349, 582, 598, 335, 350, D6/583, 588, 585; 99/472, 467; D34/23, D34/1; 297/461, 223, 297/423.41; 269/289 R, 13, 15, 14; 206/501, 256, 206/272.8, 308.2, 330, 60, 213; 248/678; D7/698, 699, 629, 388; 220/4.26; 217/3 R; D24/190, 191, 192, 167; D17/99; D3/294, 282, 905; D30/118; 182/33; D99/17, 1; 451/534, 539; 446/117, 69; 473/278

CPC A63B 22/001; A63B 22/0664; A63B 23/0211; A63B 21/225; A63B 2022/067; A63B 21/4035; A63B 2210/50; A63B 22/0015; A63B 2208/0204; A63B 21/4047; A63B 2208/0233; A63B 21/0552; A63B 22/0056

See application file for complete search history.

U.S. PATENT DOCUMENTS

D95,158 S *	4/1935	Surerus	D25/158
3,634,895 A *	1/1972	Childers	A63B 69/0035
			482/74
D318,958 S *	8/1991	Ahlstrom	D6/349
D325,409 S *	4/1992	Edwards	D21/668
D355,226 S *	2/1995	Wadley	D21/686
D370,507 S *	6/1996	Kha	D21/798
D375,985 S	11/1996	Dailey et al.	
5,853,352 A *	12/1998	Login	A63B 6/00
			482/23
D418,354 S *	1/2000	O'Rourke	D21/662
D441,093 S *	4/2001	Johnson	D25/163
D482,748 S	11/2003	Flynt	
6,916,276 B1	7/2005	Robinson	
7,520,840 B2 *	4/2009	Shifferaw	A63B 23/0458
			482/146
D595,870 S *	7/2009	Moller, Jr.	D25/163
D596,889 S *	7/2009	Lubart	D6/582
D599,419 S *	9/2009	Chiuchiarelli ..	D21/662
D601,842 S *	10/2009	Lubart	D6/582
D610,638 S	2/2010	Friess et al.	
D615,792 S *	5/2010	Leigh	D6/582
D632,119 S *	2/2011	Service	D21/662
7,942,793 B2	5/2011	Mills et al.	
D674,226 S *	1/2013	Greenwald	D6/582
D695,367 S	12/2013	Lovegrove et al.	
8,678,985 B2	3/2014	Mattox	

(Continued)

Primary Examiner — Robert M Spear
Assistant Examiner — Ryan Harvey
(74) *Attorney, Agent, or Firm* — Wessels & Arsenault, L.L.C.; John A. Arsenault; Daniel Dubuisson

(57) **CLAIM**

The ornamental design for an exercise platform, as shown and described.

DESCRIPTION

FIG. 1 is a top perspective view of an exercise platform showing my new design;
FIG. 2 is a front elevational view thereof;
FIG. 3 is a top plan view thereof;
FIG. 4 is a bottom plan view thereof; and,

(Continued)

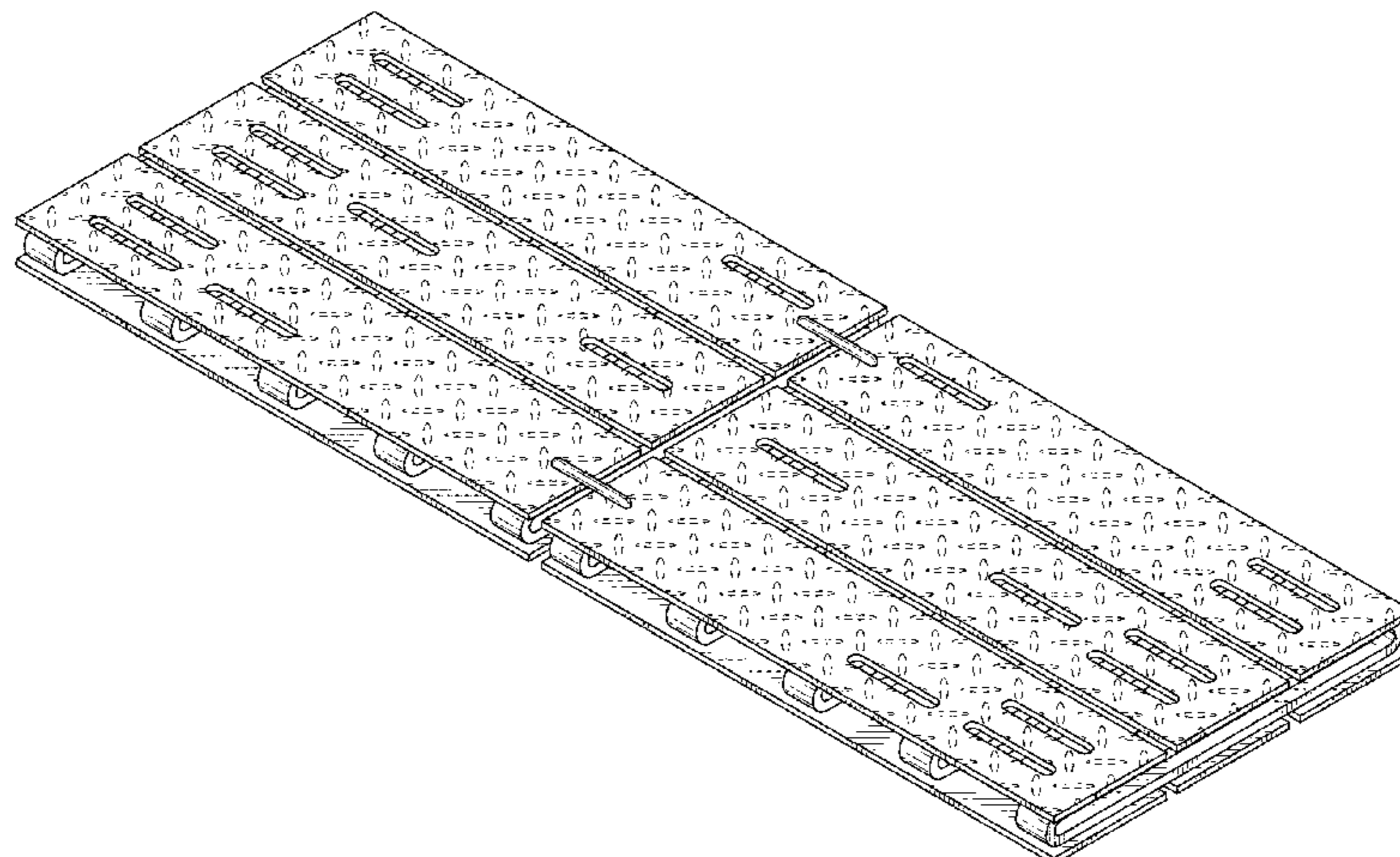


FIG. 5 is a right side elevational view thereof.
The broken lines shown in the drawings represent portions
of the exercise platform that form no part of the claimed
design.

1 Claim, 3 Drawing Sheets

(56)

References Cited

U.S. PATENT DOCUMENTS

8,715,144	B1	5/2014	Friess et al.	
D707,981	S *	7/2014	Allen	D6/585
D715,578	S *	10/2014	Swandal	D6/582
D730,456	S *	5/2015	Mahoney	D21/671
D746,386	S *	12/2015	Mahoney	D21/671
2005/0106361	A1 *	5/2005	Clark	A47G 27/0206 428/192
2014/0051553	A1	2/2014	Hetzel	

* cited by examiner

FIG. 1

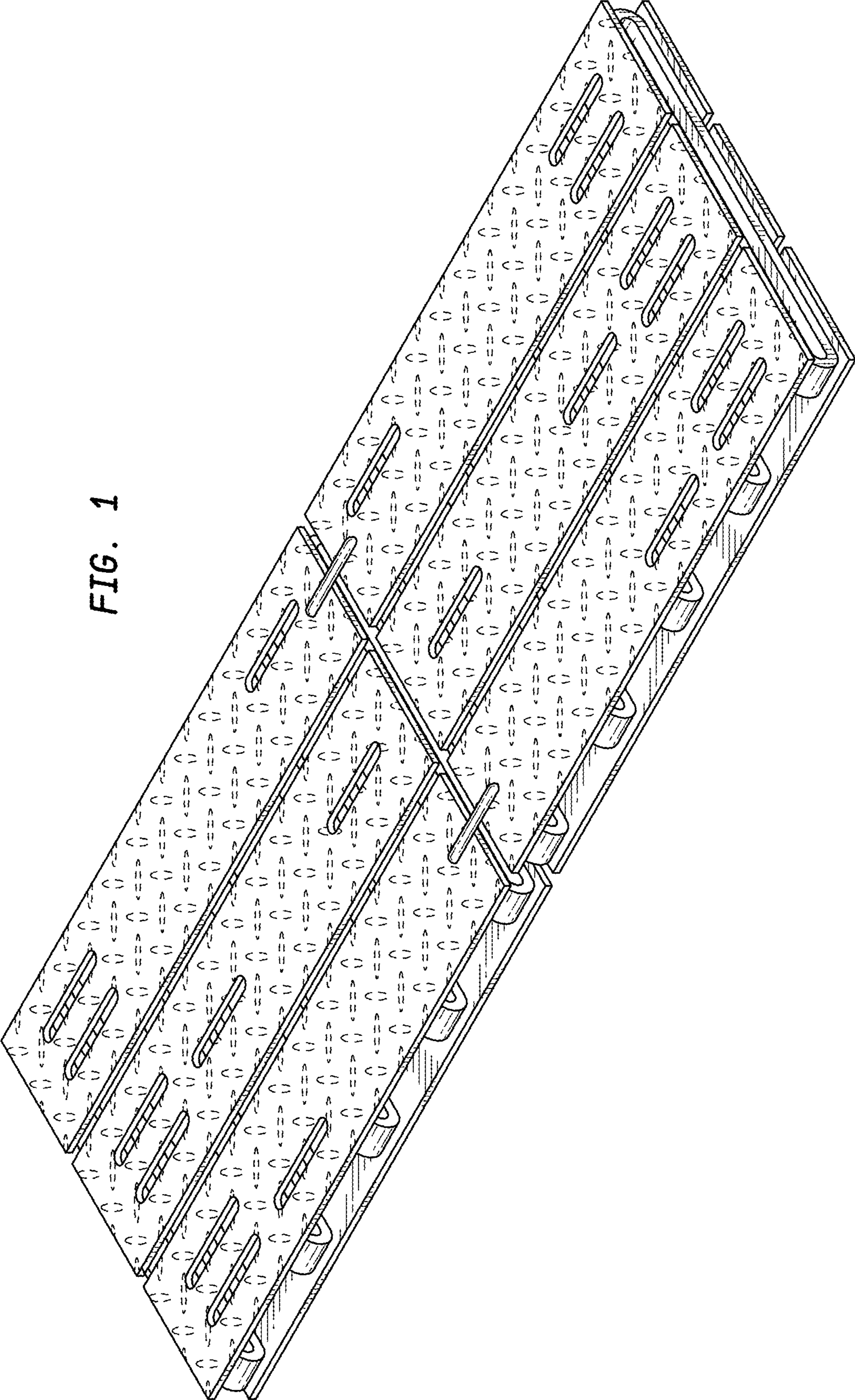


FIG. 2

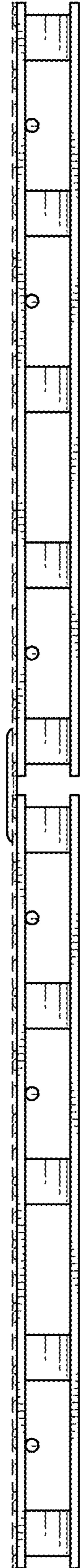


FIG. 3

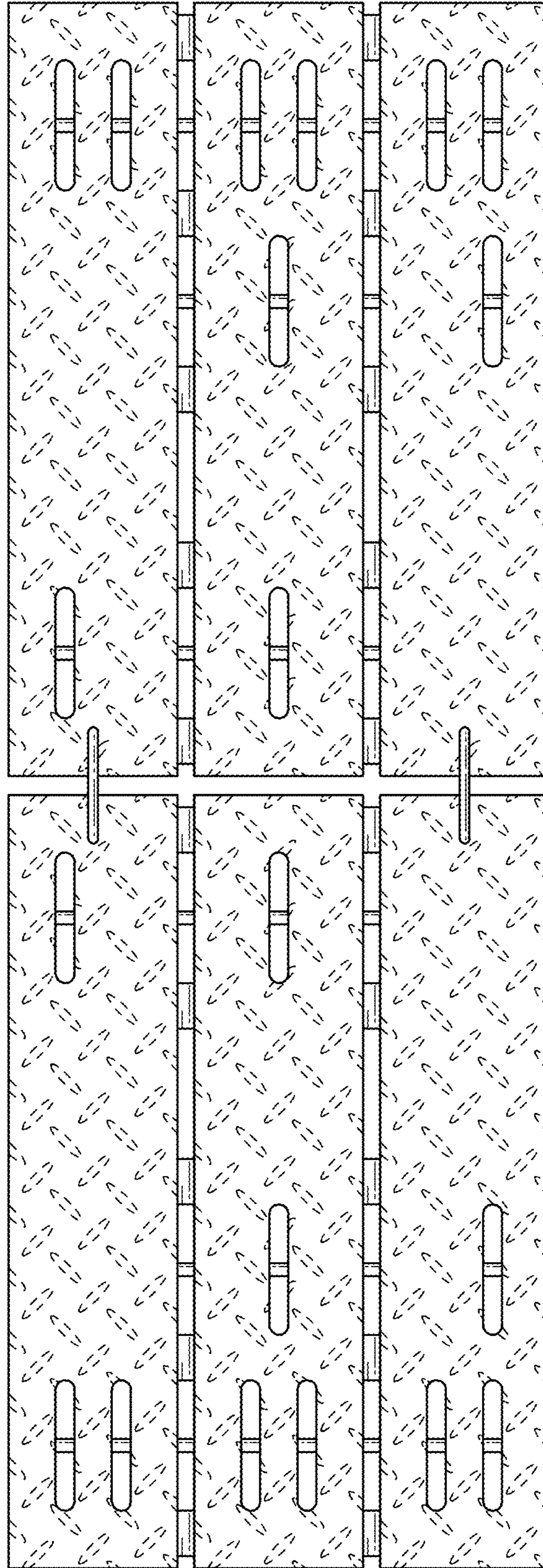


FIG. 4

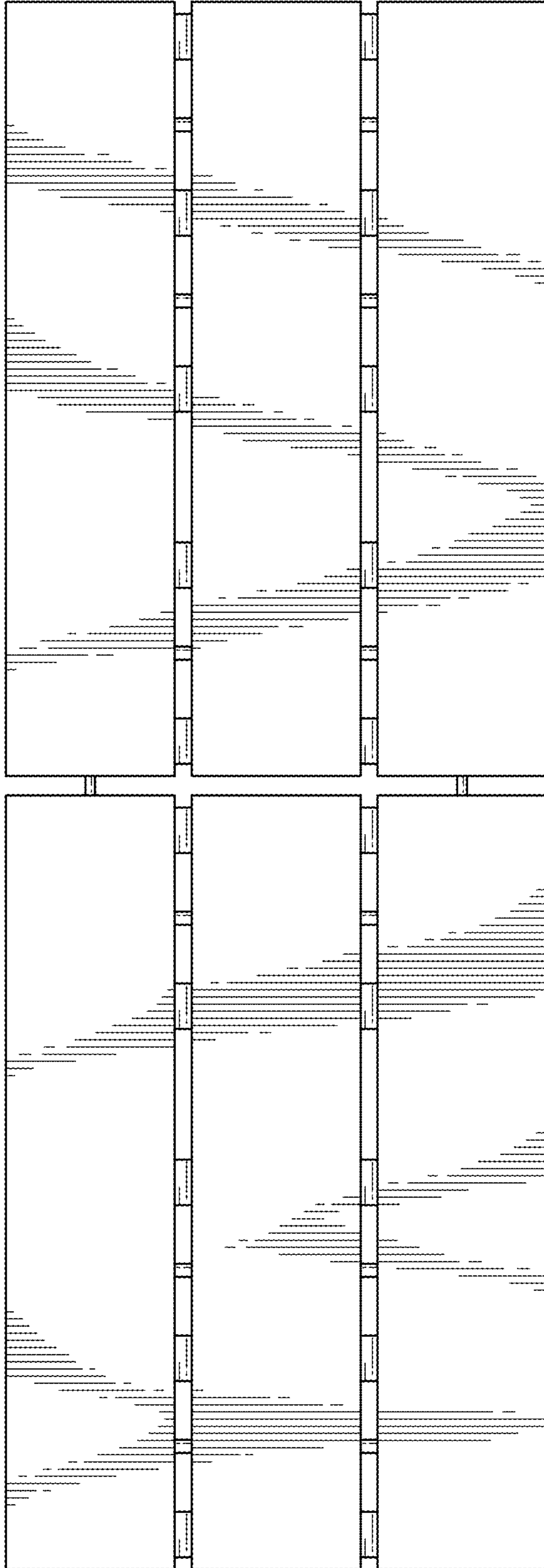


FIG. 5

