



US00D776766S

(12) **United States Design Patent**
Weisman et al.

(10) **Patent No.:** **US D776,766 S**

(45) **Date of Patent:** **** Jan. 17, 2017**

(54) **WATER TOY**

(71) Applicant: **Global Marketing Enterprise (G.M.E.) Ltd.**, Tel Aviv (IL)

(72) Inventors: **Zafrira Weisman**, Tel Aviv (IL); **Israel Zanger**, Tel Aviv (IL)

(**) Term: **14 Years**

(21) Appl. No.: **29/519,904**

(22) Filed: **Mar. 9, 2015**

(30) **Foreign Application Priority Data**

Sep. 10, 2014 (IL) 56061

(51) **LOC (10) Cl.** **21-01**

(52) **U.S. Cl.**
USPC **D21/608**

(58) **Field of Classification Search**

USPC D6/598; D11/158; D21/398, 576-585,
D21/606-608, 808; 446/368-369, 376,
446/428, 487; D23/215

CPC A63H 3/00; A63H 3/02; A63H 3/06;
A63H 3/14; A63H 3/28; A63H
3/36; A63H 33/00; A63H 33/003; A63H
33/004

See application file for complete search history.

(56) **References Cited**

U.S. PATENT DOCUMENTS

D162,333 S * 3/1951 Moore D21/608
D162,643 S * 3/1951 Fox D21/608

D195,009 S * 4/1963 Bergeron D21/609
D279,308 S * 6/1985 Marschak D21/609
D295,995 S * 5/1988 Ryland D21/608
D357,524 S * 4/1995 Langmar D23/215
D487,785 S * 3/2004 Bourget D21/608
D496,494 S * 9/2004 Hood D28/67
D639,383 S * 6/2011 Holbrook D21/608
D651,662 S * 1/2012 Monahan D21/608

* cited by examiner

Primary Examiner — Sandra Morris

(74) *Attorney, Agent, or Firm* — Haim M. Factor

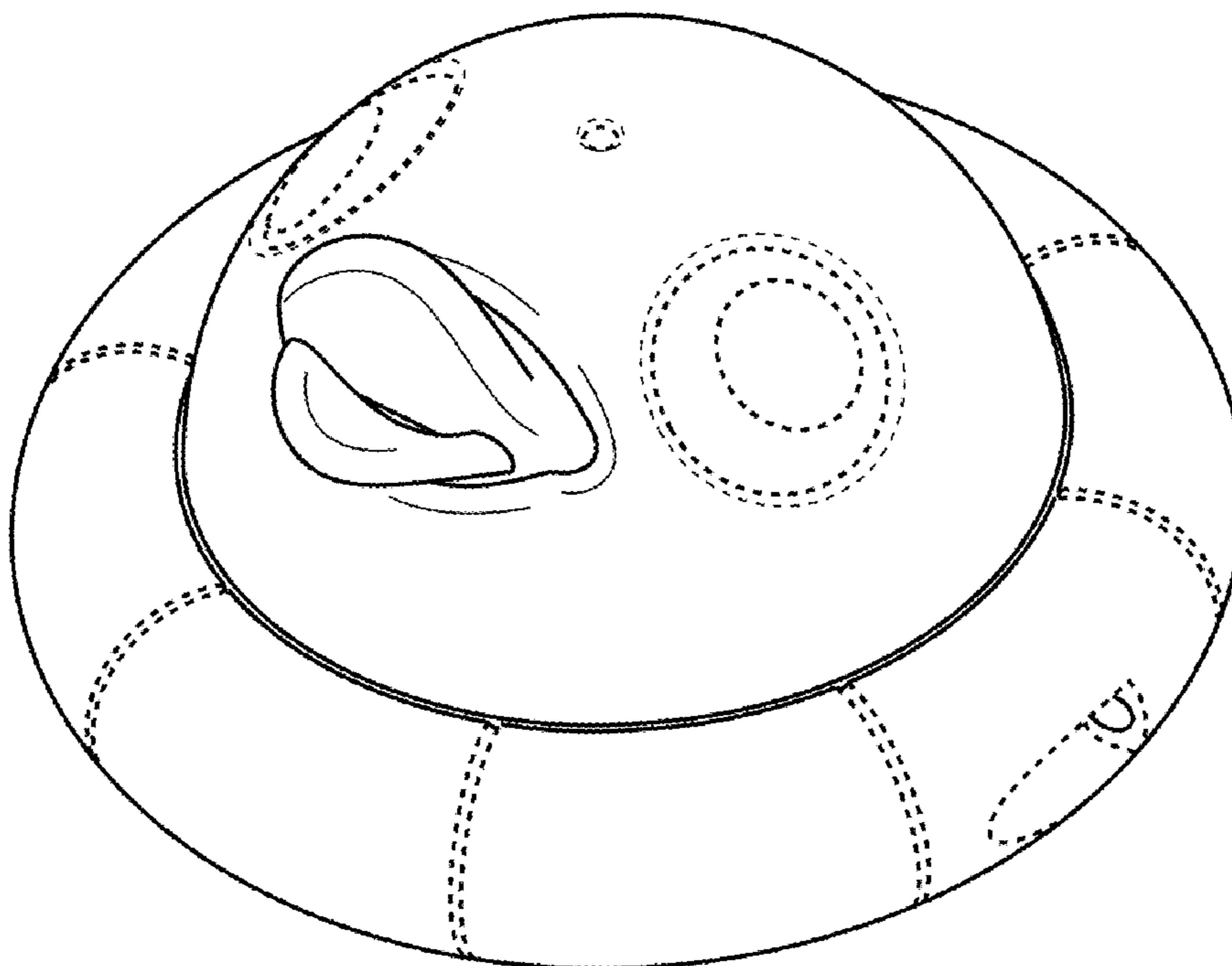
(57) **CLAIM**

The ornamental design for a water toy, as shown and described.

DESCRIPTION

FIG. 1 is a front and left perspective view of a water toy showing my new design;
FIG. 2 is a left view thereof;
FIG. 3 is a front view thereof;
FIG. 4 is a rear view thereof;
FIG. 5 is a top view thereof; and,
FIG. 6 is a bottom, front and right perspective view thereof. The broken line showing is for illustrative purposes only, and forms no part of the claimed design.

1 Claim, 3 Drawing Sheets



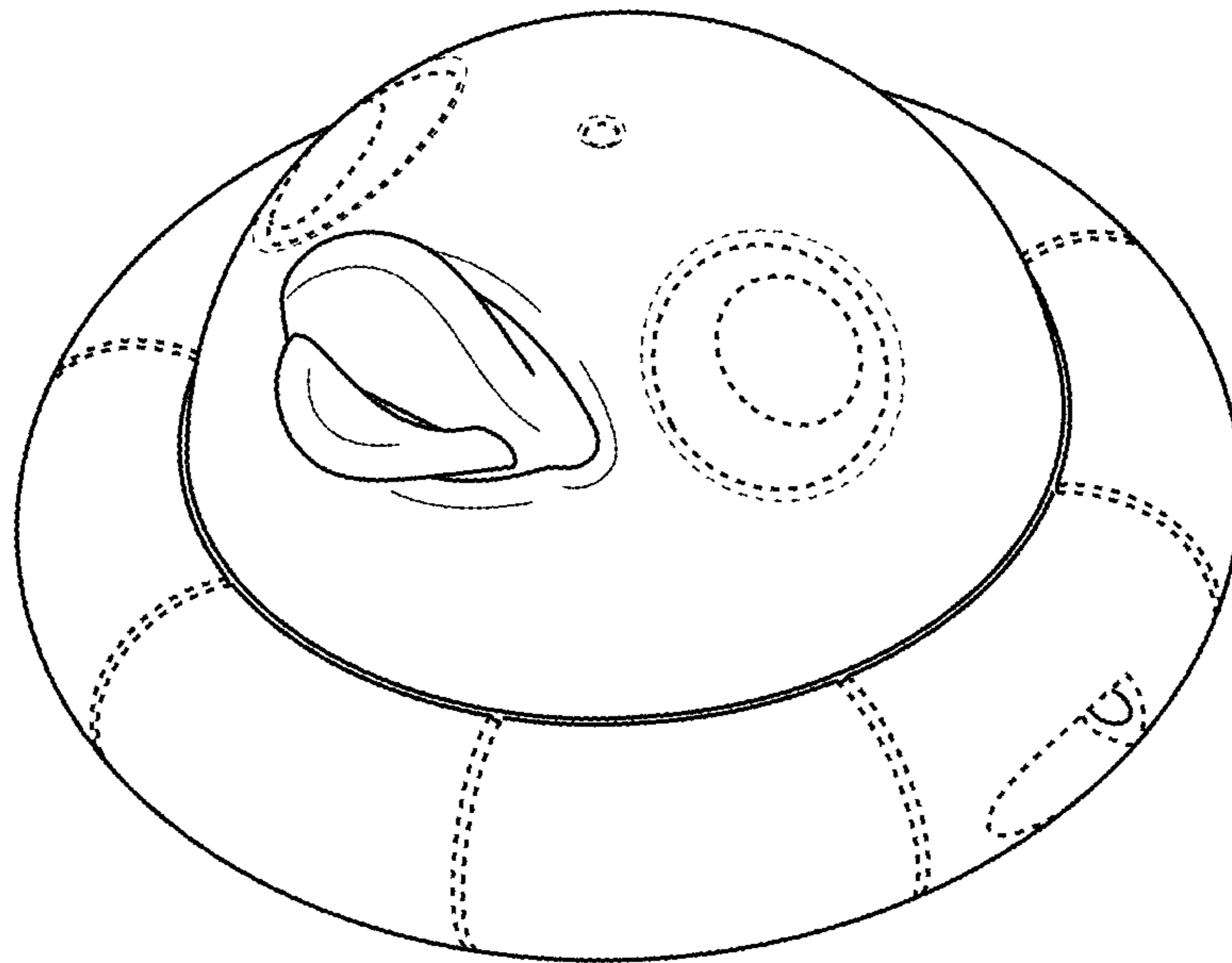


FIG. 1

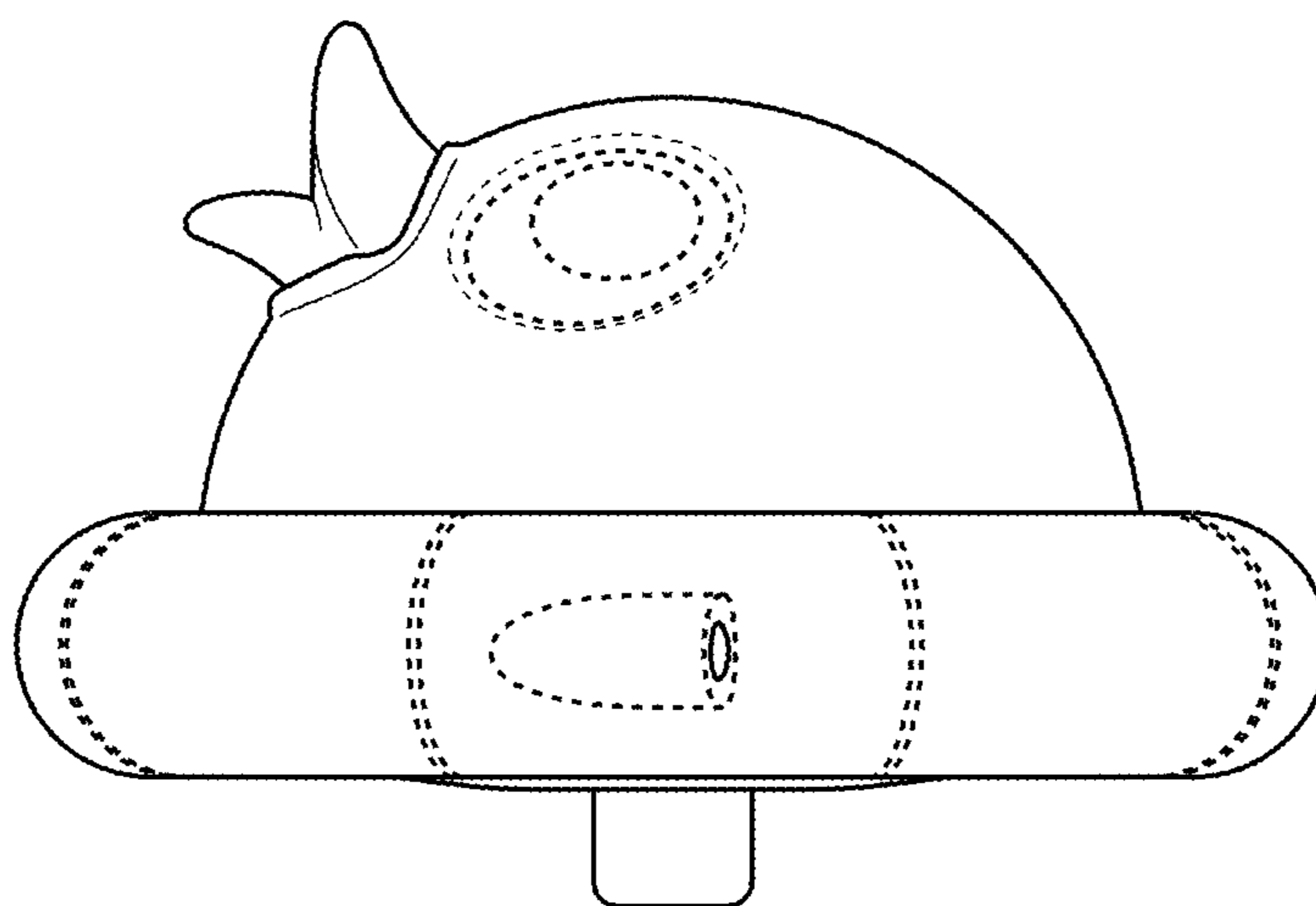


FIG. 2

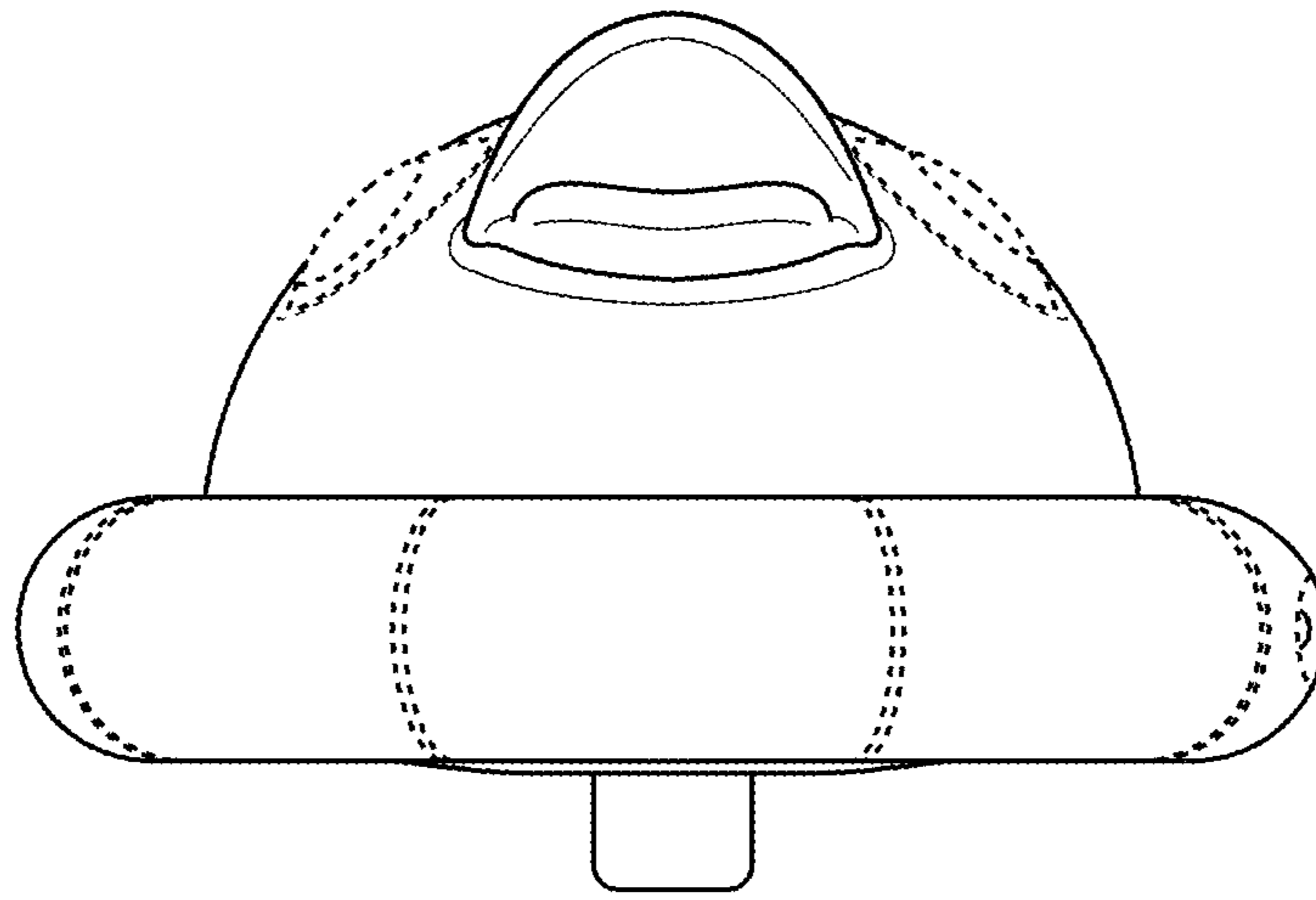


FIG. 3

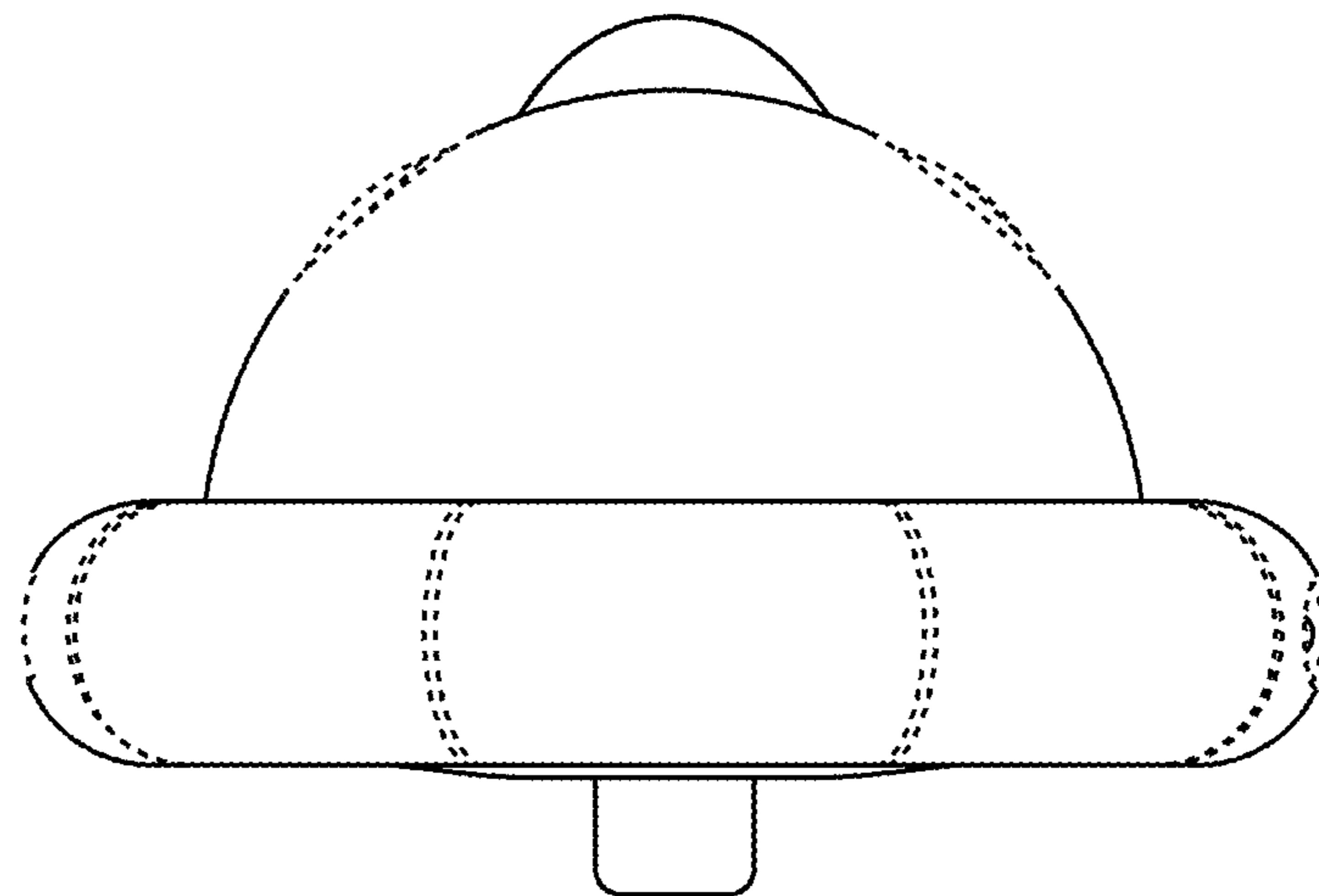


FIG. 4

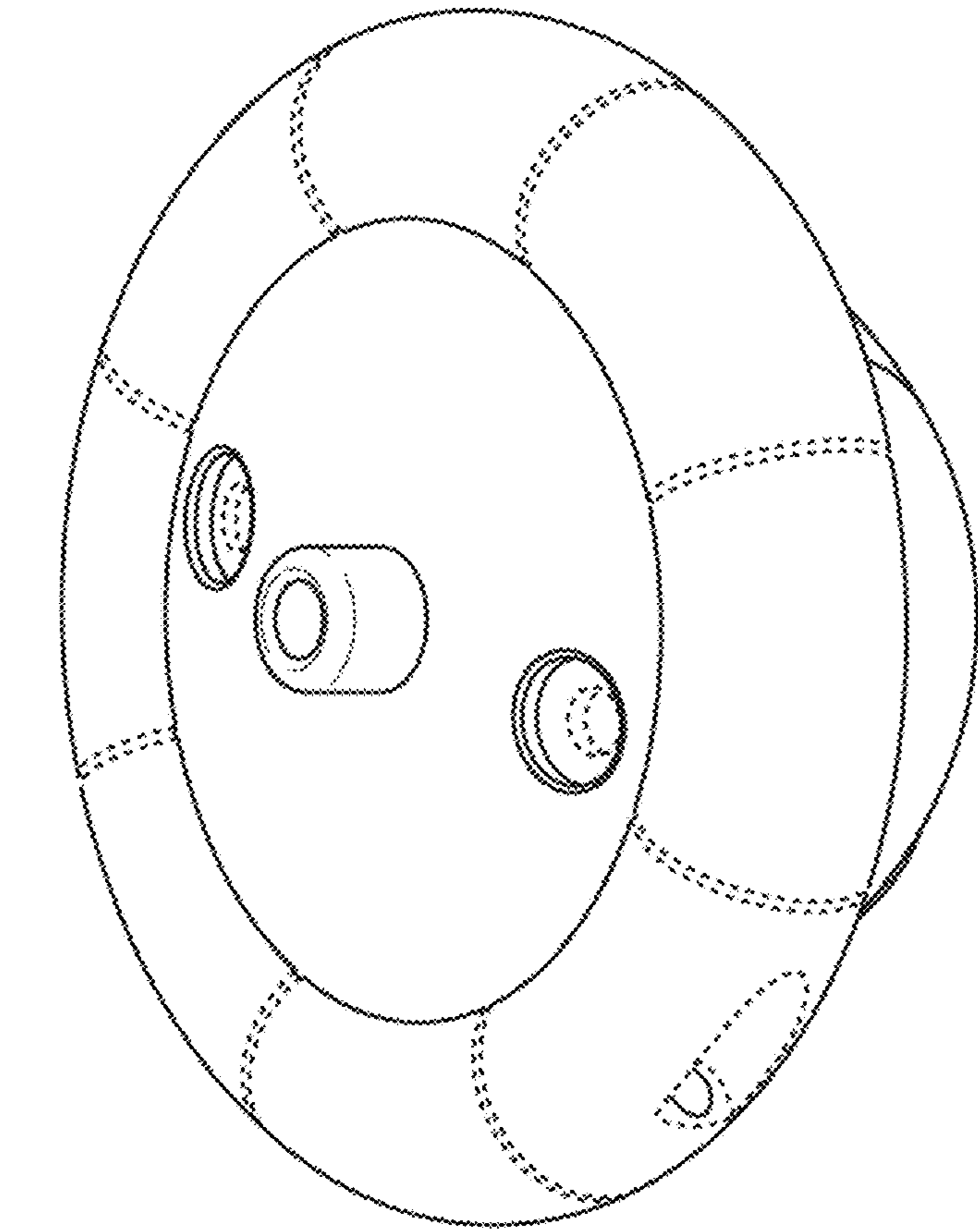


FIG 6

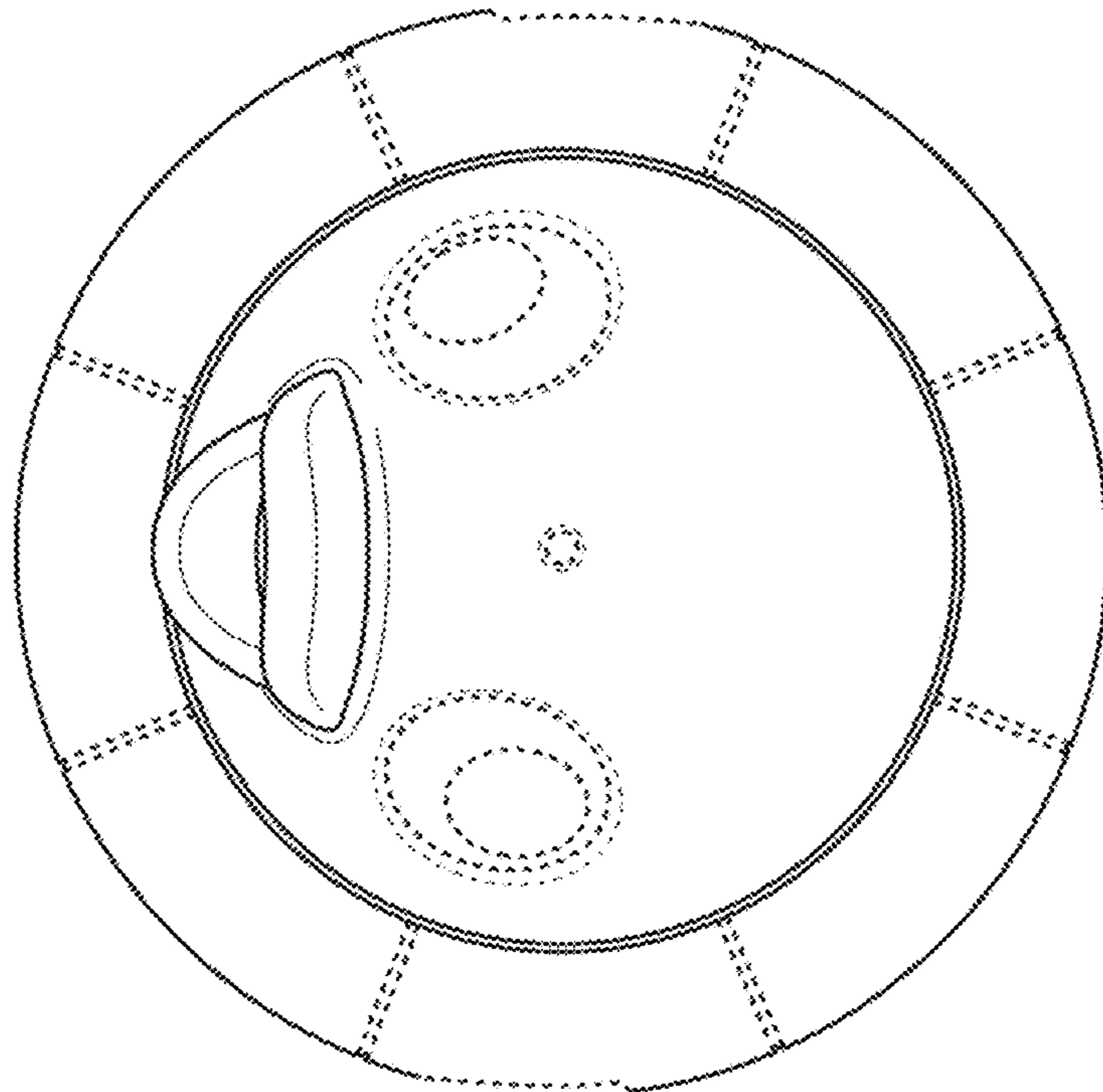


FIG 5