



US00D776763S

(12) **United States Design Patent**  
**Schoenith et al.**

(10) **Patent No.:** **US D776,763 S**

(45) **Date of Patent:** **\*\* Jan. 17, 2017**

(54) **CONTROL DEVICE**

(71) Applicant: **INCIPIO, LLC**, Irvine, CA (US)

(72) Inventors: **John M. Schoenith**, Hollywood, CA (US); **Anthony Ahee**, Grosse Pointe Shores, MI (US)

(73) Assignee: **INCIPIO, LLC**, Irvine, CA (US)

(\*\*) Term: **15 Years**

(21) Appl. No.: **29/536,493**

(22) Filed: **Aug. 17, 2015**

**Related U.S. Application Data**

(63) Continuation of application No. 29/467,368, filed on Sep. 18, 2013, now Pat. No. Des. 737,273.

(51) **LOC (10) Cl.** ..... **21-01**

(52) **U.S. Cl.**  
USPC ..... **D21/333**; D14/401

(58) **Field of Classification Search**  
USPC ..... D21/324-333; D14/341-346, 356, 432, D14/496, 207.3, 203.7, 507, 399-401; 273/148 B; 463/1, 29-47; 345/156-161, 345/168, 169, 172; 341/22, 23  
CPC ..... A63F 13/02; A63F 11/00; A63F 9/24; A63F 71/00; G06F 3/033; G09G 5/00  
See application file for complete search history.

(56) **References Cited**

**U.S. PATENT DOCUMENTS**

4,611,406 A \* 9/1986 Engstrom et al. .... 33/443  
D475,710 S \* 6/2003 Sheehan et al. .... D14/401

D492,294 S \* 6/2004 Kim ..... D14/240  
7,193,165 B2 \* 3/2007 Kawanobe et al. .... 200/5 R  
D664,601 S \* 7/2012 Sogabe ..... D21/329  
D666,250 S \* 8/2012 Fulghum et al. .... D21/333  
D672,397 S \* 12/2012 Wai ..... D21/333  
D682,840 S \* 5/2013 Tsai et al. .... D14/447  
D682,947 S \* 5/2013 Akama et al. .... D21/333  
8,587,939 B2 \* 11/2013 McClure et al. .... 361/679.3  
D698,785 S \* 2/2014 Canizares et al. .... D14/341  
8,648,679 B2 \* 2/2014 Lauder et al. .... 335/219

\* cited by examiner

*Primary Examiner* — Prabhakar Deshmukh

(74) *Attorney, Agent, or Firm* — Manatt, Phelps & Phillips, LLP

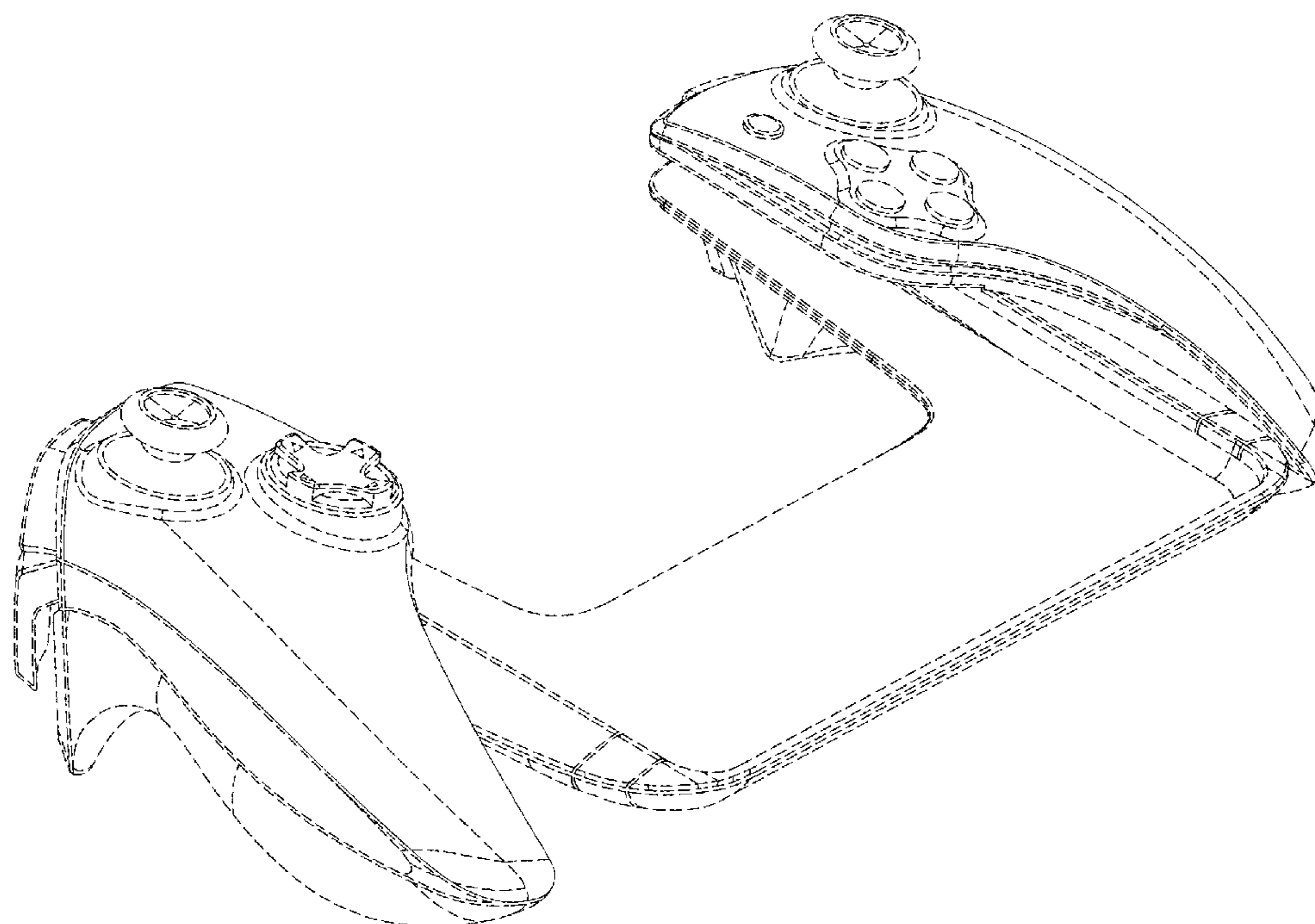
(57) **CLAIM**

The ornamental design for a control device, as shown and described.

**DESCRIPTION**

FIG. 1 is a perspective view of a control device showing my new design;  
FIG. 2 is a top plan view thereof;  
FIG. 3 is a rear elevational view thereof;  
FIG. 4 is a side elevational view thereof; and,  
FIG. 5 is a bottom plan view thereof.  
The broken lines indicate unclaimed portions and form no part of the claimed design.  
The broken lines indicate unclaimed portions and form no part of the claimed design.

**1 Claim, 5 Drawing Sheets**



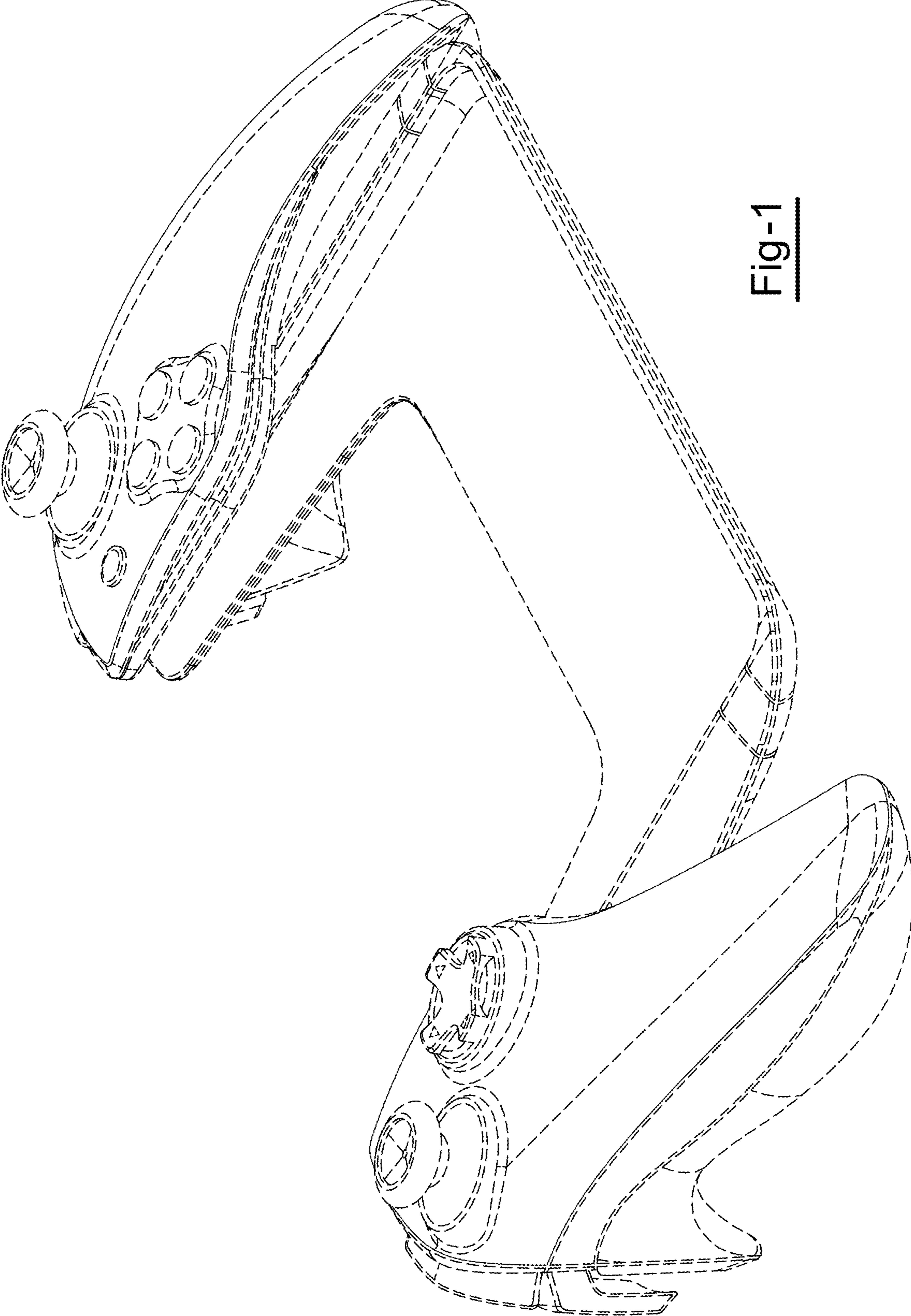


Fig-1

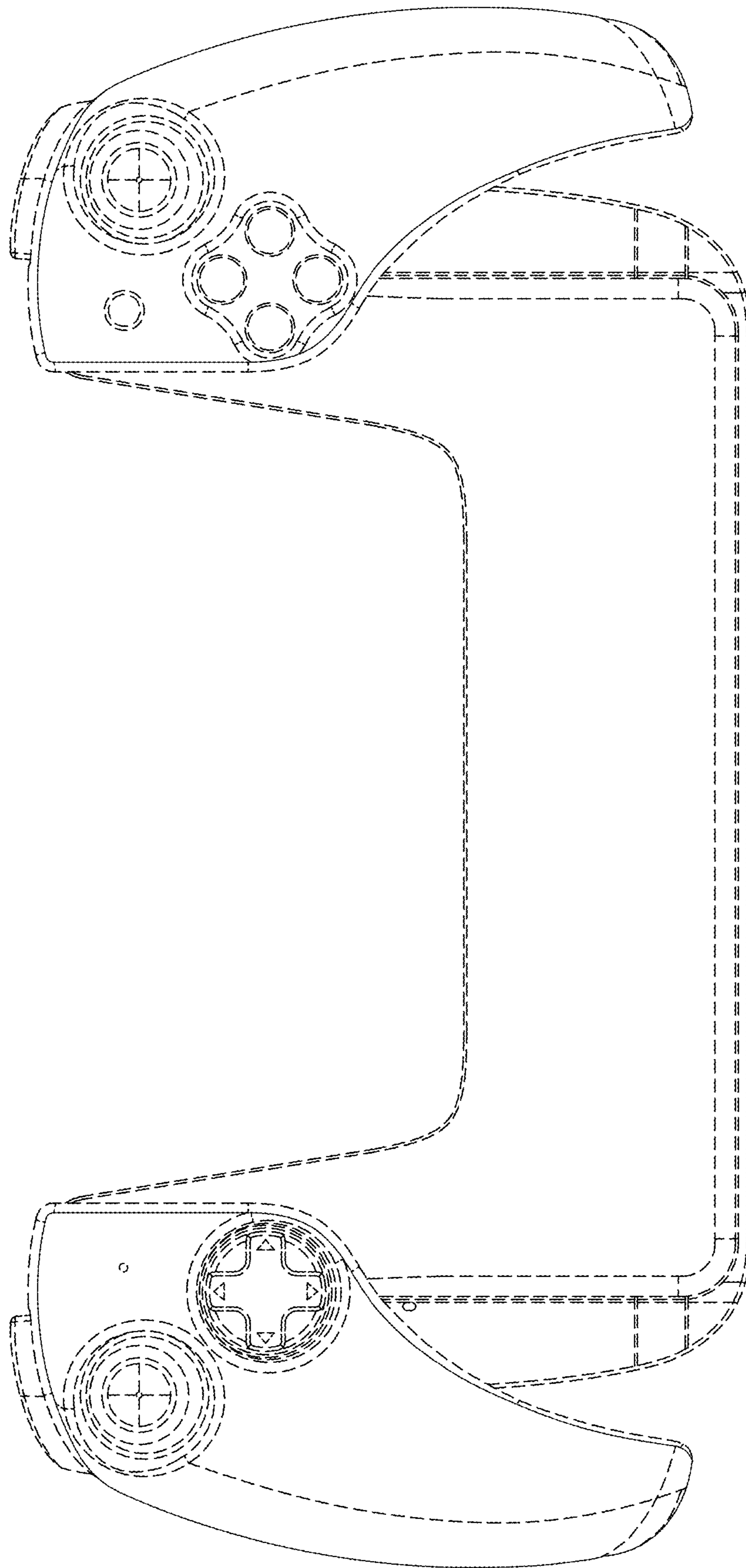


Fig-2

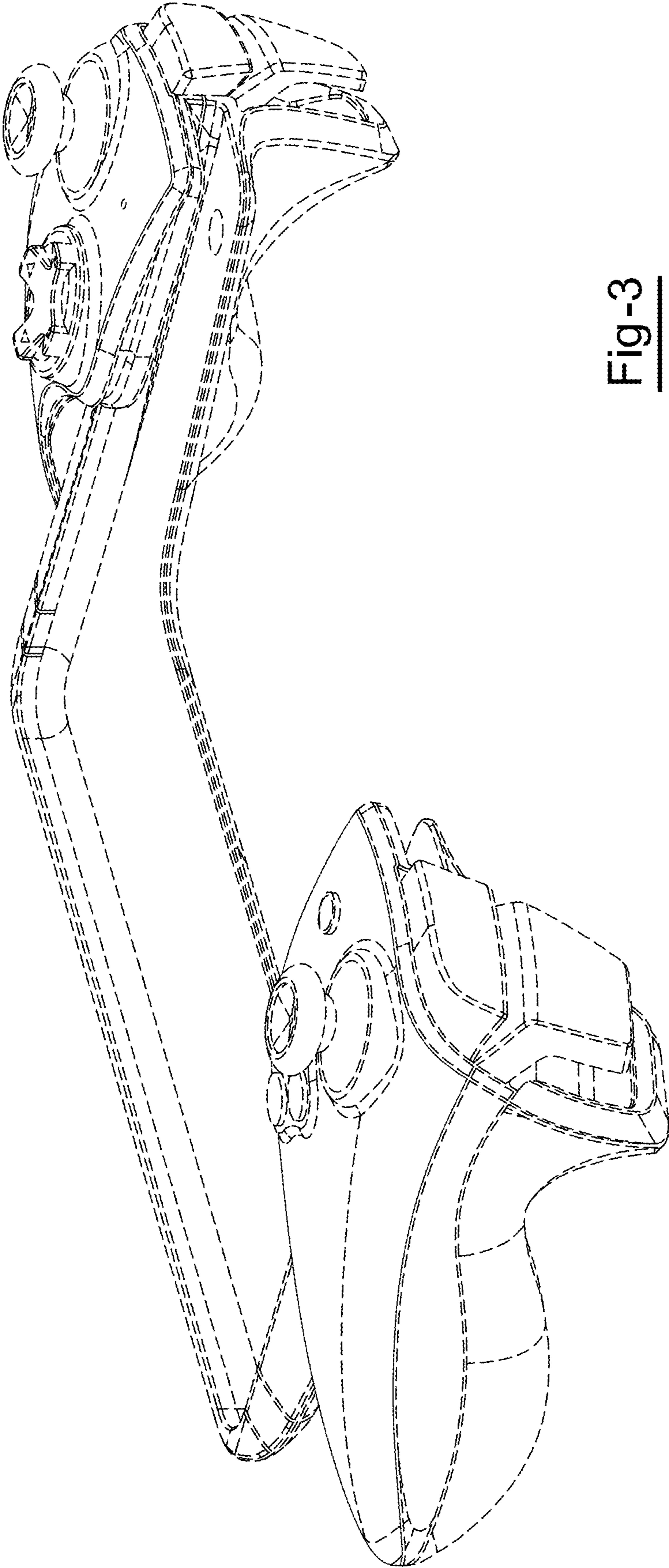


Fig-3

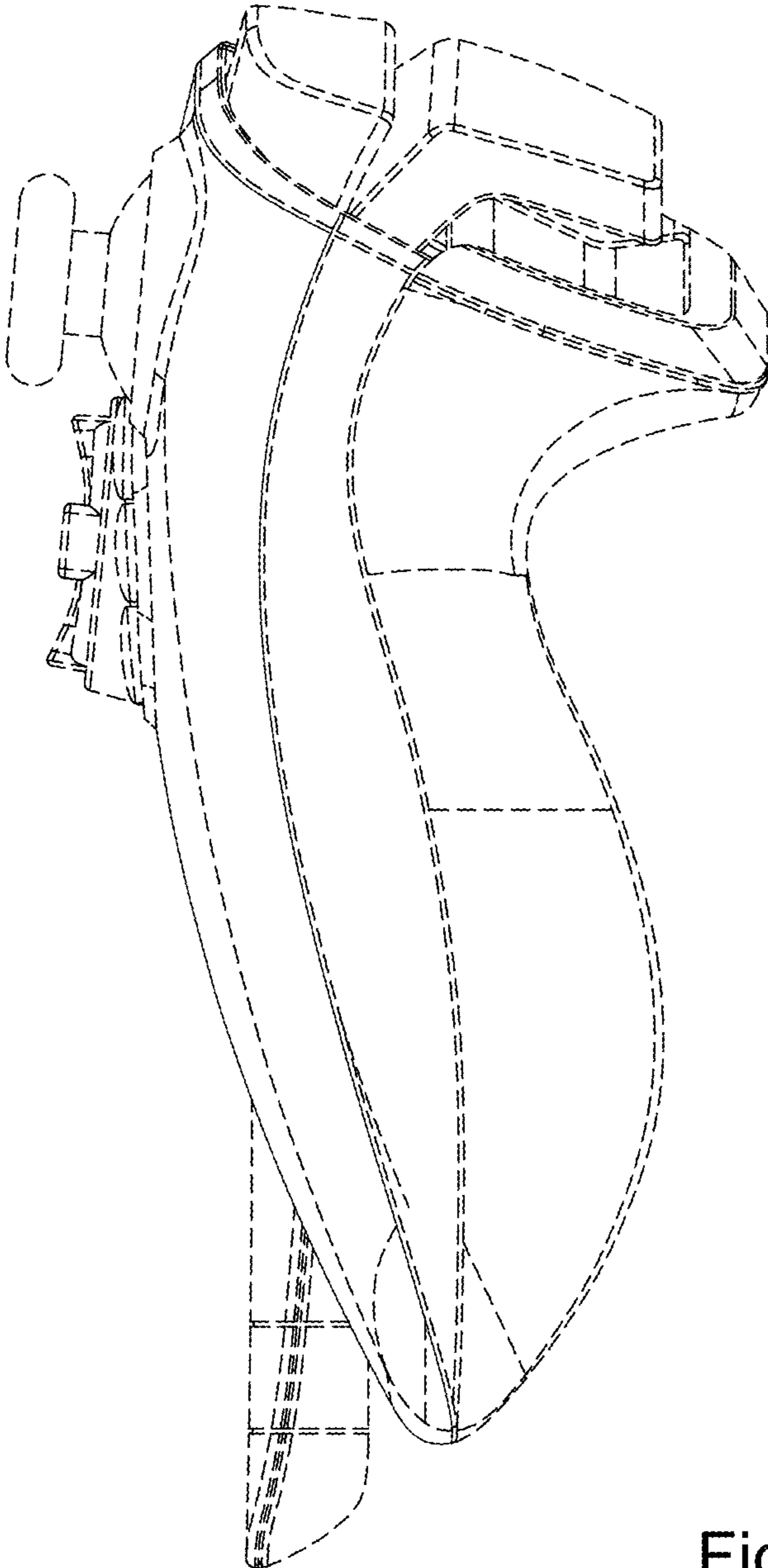


Fig-4

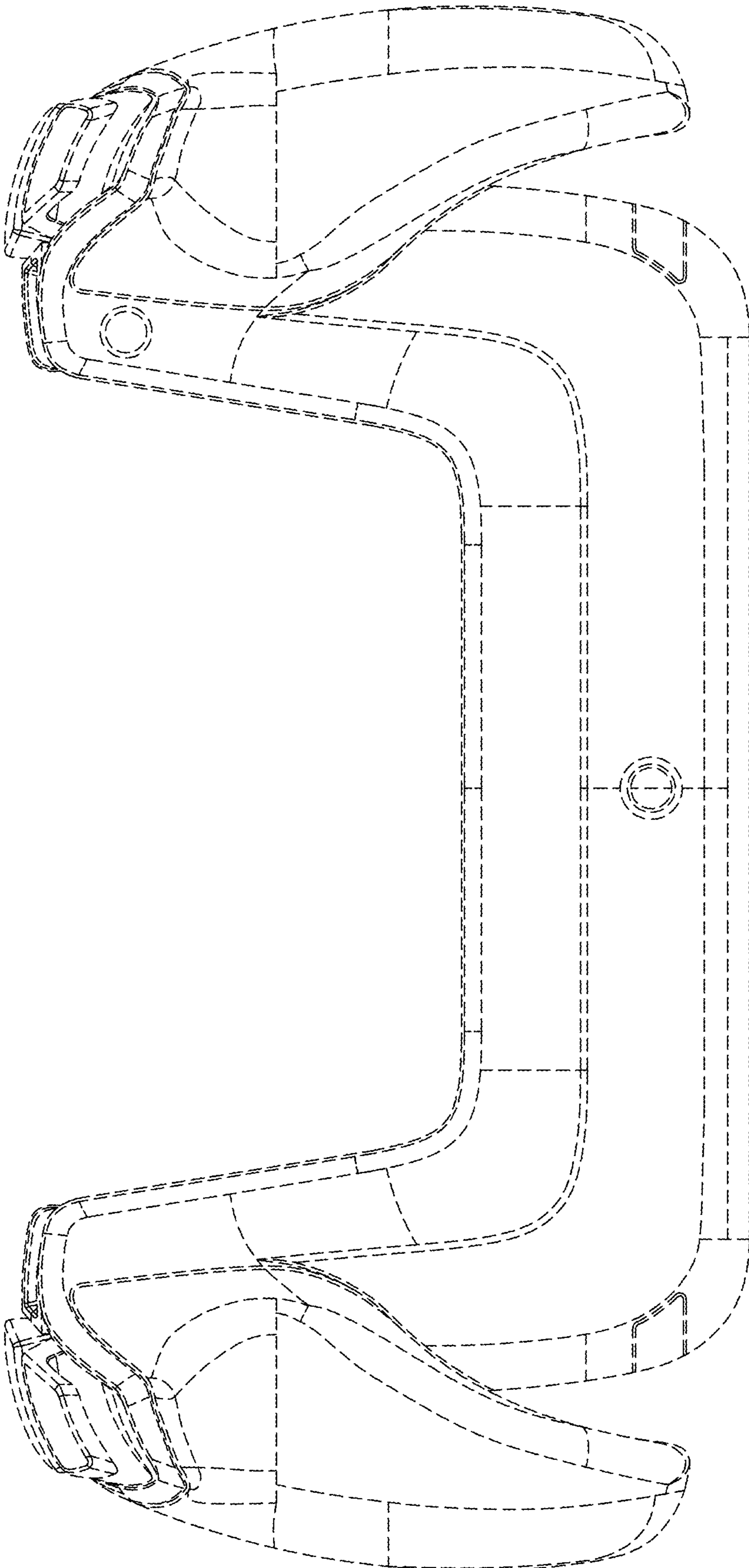


Fig-5