



US00D776762S

(12) **United States Design Patent** (10) **Patent No.:** **US D776,762 S**
Zenoff (45) **Date of Patent:** **** Jan. 17, 2017**

(54) **ELECTRONIC DISPLAY/SCREEN WITH SUCTION CUPS**

(71) Applicant: **Andrew Zenoff**, San Anselmo, CA (US)

(72) Inventor: **Andrew Zenoff**, San Anselmo, CA (US)

(73) Assignee: **Beam Authentic, LLC**, San Anselmo, CA (US)

(**) Term: **14 Years**

(21) Appl. No.: **29/500,553**

(22) Filed: **Aug. 26, 2014**

(51) **LOC (10) Cl.** **20-03**

(52) **U.S. Cl.**
USPC **D20/42**

(58) **Field of Classification Search**
USPC D20/10, 19, 39-42, 99; D10/109.1, D10/109.2, 113.4; D6/300, 309; D12/182, D12/183; D14/126, 374
CPC G09F 3/02; G09F 3/203; G09F 7/00; G09F 7/12; G09F 7/14; G09F 7/16; G09F 2007/122; G09F 9/00; G09F 13/00; G09F 13/18; G09F 13/22; G09F 2013/1895; G09F 15/00; A45D 42/24
See application file for complete search history.

(56) **References Cited**

U.S. PATENT DOCUMENTS

65,871 A	6/1867	Browne
260,332 A	6/1882	Simonson
1,190,427 A	7/1916	Kromer, Jr.
1,215,311 A	2/1917	Thomas
D58,303 S	7/1921	Kate
1,427,891 A	9/1922	Ziegler
D62,863 S	8/1923	Isaac
1,481,975 A	1/1924	Bender
D64,441 S	4/1924	Henry

1,502,160 A	7/1924	Reinthal
D66,331 S	12/1924	Pegg
1,560,073 A	11/1925	Bontempi et al.
1,566,663 A	12/1925	Finkelstein
1,582,812 A	4/1926	Avin
1,586,242 A *	5/1926	McPherson B60Q 1/34 340/458
1,606,798 A	11/1926	Karger
1,616,475 A	2/1927	Tracey
D79,398 S	9/1929	Edward

(Continued)

FOREIGN PATENT DOCUMENTS

CN	203327079 U	12/2013
WO	WO-2012061438 A2	5/2012
WO	WO-2014054211 A1	4/2014

OTHER PUBLICATIONS

U.S. Appl. No. 29/499,861, filed Aug. 19, 2014, Zenoff.

(Continued)

Primary Examiner — Mary Ann Calabrese
(74) *Attorney, Agent, or Firm* — Wilson Sonsini Goodrich & Rosati

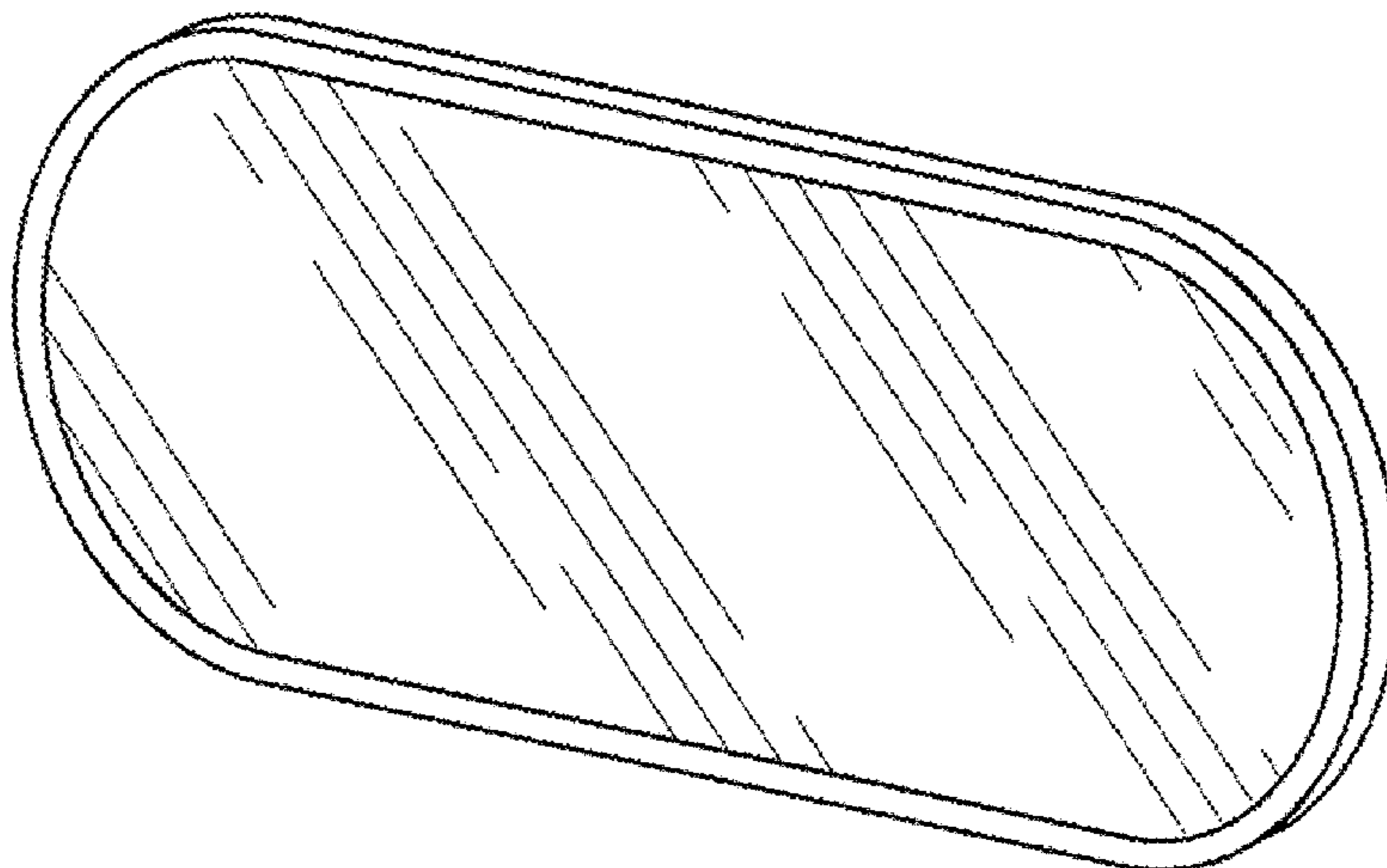
(57) **CLAIM**

The ornamental design for an electronic display/screen with suction cups, as shown and described.

DESCRIPTION

FIG. 1 shows a perspective view of an electronic display/screen with suction cups.
FIG. 2 shows a front elevational view thereof.
FIG. 3 shows a rear elevational view thereof.
FIG. 4 shows a side elevational view thereof.
FIG. 5 shows a top plan view thereof; and,
FIG. 6 shows another front elevational view thereof.
In the drawings, the broken lines illustrate environment and form no part of the claimed design.

1 Claim, 3 Drawing Sheets



(56)

References Cited

U.S. PATENT DOCUMENTS

1,784,970 A * 12/1930 Melton A45D 42/00
40/725

D115,046 S 5/1939 Marks
D130,393 S 11/1941 Paul et al.
D162,354 S * 3/1951 Smith D20/10
2,682,667 A 7/1954 Michelstetter
3,346,153 A 10/1967 Galasso
D231,356 S * 4/1974 Kurz D23/393
3,895,797 A 7/1975 Moore
D251,336 S 3/1979 Getgey
D263,092 S 2/1982 Fay
4,535,478 A 8/1985 Zuefle
4,710,981 A 12/1987 Sanchez
4,827,384 A 5/1989 Von Schlemmer
4,834,688 A 5/1989 Jones
4,873,726 A 10/1989 Tapia
4,924,613 A 5/1990 Levin
5,054,127 A 10/1991 Zevchak
5,131,177 A * 7/1992 Sy, Jr. G09F 3/203
40/591

5,167,559 A 12/1992 Power-Fardy
D333,030 S 2/1993 Wilkes
D350,221 S 9/1994 Van Doren
5,359,733 A 11/1994 Brannon et al.
5,437,062 A 8/1995 Douglas
5,452,479 A 9/1995 Mostert
5,454,120 A 10/1995 Rowlands
5,462,471 A 10/1995 Power-Fardy
5,465,426 A 11/1995 Beaton
5,548,847 A 8/1996 Spicijaric
5,621,914 A 4/1997 Ramone et al.
5,632,044 A 5/1997 Sloot
D383,892 S 9/1997 Virzi
D396,546 S 8/1998 Marrs
D397,239 S 8/1998 Marrs
5,794,267 A 8/1998 Wallace
D401,738 S 12/1998 Scerbo
D403,491 S 1/1999 Wyatt et al.
D405,239 S 2/1999 Kostinko
D406,687 S 3/1999 Thorpe
D407,190 S 3/1999 Day
5,943,698 A 8/1999 Blanks, I
5,960,476 A 10/1999 Danzy
D418,279 S 1/2000 Day
D424,282 S 5/2000 Crumpton et al.
D427,751 S 7/2000 Richlin
6,154,992 A 12/2000 Lee
D438,374 S 3/2001 Hayman
D444,618 S 7/2001 Wilson
D447,318 S 9/2001 Gath
D452,767 S 1/2002 Balloni et al.
D459,059 S 6/2002 Park
D459,094 S * 6/2002 Stone D6/309
6,408,443 B1 6/2002 Park
D460,604 S 7/2002 Sullivan, Jr.
6,470,499 B1 10/2002 Joiner
D472,695 S 4/2003 Lee
D473,039 S 4/2003 Erspamer
D482,185 S 11/2003 Park
D483,173 S 12/2003 Harris et al.
D483,928 S 12/2003 Mansell et al.
6,751,805 B1 6/2004 Austion
D494,745 S 8/2004 Kronenberger
D496,146 S 9/2004 Appleberry
D496,775 S 10/2004 Tanner
6,810,533 B1 11/2004 Nahabedian et al.
6,820,281 B2 11/2004 Mariland et al.
D502,589 S 3/2005 Lee
D509,947 S 9/2005 Fortune
6,948,189 B2 9/2005 Early
D517,283 S 3/2006 Shin et al.
D523,612 S 6/2006 Steger
D539,012 S 3/2007 Evans
D543,338 S 5/2007 Park
7,219,374 B2 5/2007 Cho

D548,657 S * 8/2007 Eskandry D12/183
D558,431 S 1/2008 Pritchett
D558,955 S 1/2008 Taylor
7,331,064 B1 2/2008 Quintal
7,424,751 B1 9/2008 Miller
D577,879 S 10/2008 Jones
D580,184 S * 11/2008 Svendsen D6/309
7,490,364 B2 2/2009 Kim
D600,879 S 9/2009 Accardi
D603,144 S 11/2009 South
D603,585 S 11/2009 Capriola
7,621,000 B1 11/2009 Fulton
D607,627 S 1/2010 Kowalczyk
D608,531 S 1/2010 Kronenberger
D621,590 S 8/2010 Martin
D624,286 S 9/2010 Hall
D625,082 S 10/2010 Jones
D630,822 S 1/2011 Thomas
D635,336 S 4/2011 Alger
D635,976 S 4/2011 Lee et al.
D636,562 S 4/2011 Lam et al.
7,974,432 B1 7/2011 Ryan
7,992,224 B2 8/2011 Tai
D647,286 S 10/2011 Malek
D649,744 S 12/2011 Weinshanker
D658,899 S * 5/2012 Zadro D6/309
D659,351 S 5/2012 Benkendorfer
D660,554 S 5/2012 Blackshear
D670,068 S 11/2012 Bomze
D671,716 S 12/2012 Lam et al.
8,364,220 B2 1/2013 Sandmore
8,453,265 B2 6/2013 Forte et al.
8,458,820 B2 6/2013 Cleva
8,626,586 B1 1/2014 Biere et al.
D699,928 S 2/2014 Tien
D701,504 S 3/2014 Christopher et al.
8,677,515 B2 3/2014 Ishihara et al.
D703,069 S 4/2014 Adams et al.
D704,925 S 5/2014 Cho
D705,527 S 5/2014 Clark
D709,675 S 7/2014 Cho
D710,220 S 8/2014 Daniel
D711,002 S 8/2014 Ohnemus et al.
D711,874 S * 8/2014 Cope D14/374
D712,635 S 9/2014 Rivas
D713,622 S 9/2014 Steel
D714,031 S 9/2014 Javits, Jr.
8,869,312 B2 10/2014 Tuohy et al.
D717,019 S 11/2014 Van Dalen
D718,731 S 12/2014 Lee
8,898,820 B2 12/2014 Sokolowski et al.
8,905,560 B1 * 12/2014 Zadro A45D 42/14
248/467

D721,874 S 2/2015 Robbins et al.
8,950,012 B2 2/2015 Ilges et al.
D729,650 S 5/2015 Phillips et al.
D730,563 S * 5/2015 Renshaw D26/89
D733,130 S 6/2015 Kim et al.
D734,329 S 7/2015 Lee
D736,768 S 8/2015 Kuwabara et al.
D736,993 S * 8/2015 Wang D26/124
D760,475 S 7/2016 Zenoff
D761,912 S 7/2016 Zenoff
2001/0034894 A1 11/2001 Godfrey et al.
2003/0073412 A1 4/2003 Meade et al.
2003/0221234 A1 12/2003 Wang
2004/0221368 A1 11/2004 Okot
2005/0132470 A1 6/2005 Wong
2006/0112707 A1 6/2006 Tu
2006/0117458 A1 6/2006 Ishihara et al.
2006/0206985 A1 9/2006 Proctor
2006/0209218 A1 9/2006 Lee et al.
2007/0056078 A1 3/2007 Tseng
2007/0182664 A1 8/2007 Himmele
2007/0247312 A1 10/2007 Sekine
2008/0000013 A1 1/2008 Talley
2009/0084009 A1 * 4/2009 Vandergriff G09F 15/00
40/546

2009/0251888 A1 10/2009 Douglas

(56)

References Cited

U.S. PATENT DOCUMENTS

2009/0306485 A1 12/2009 Bell
 2009/0310290 A1 12/2009 Tennent
 2010/0058514 A1 3/2010 Koh
 2010/0095573 A1 4/2010 Lifshitz
 2010/0100004 A1 4/2010 Van Someren
 2010/0131613 A1 5/2010 Jonsson et al.
 2010/0299979 A1 12/2010 Lamere
 2010/0306808 A1 12/2010 Neumeier et al.
 2010/0313334 A1 12/2010 Moy
 2011/0041238 A1 2/2011 Brzoska
 2011/0094016 A1 4/2011 Paulson
 2011/0187681 A1 8/2011 Kim et al.
 2011/0246908 A1 10/2011 Akram et al.
 2011/0295749 A1 12/2011 Scalisi
 2012/0005809 A1 1/2012 Johnson
 2012/0089437 A1 4/2012 Amento et al.
 2012/0163269 A1 6/2012 Shuster et al.
 2012/0256902 A1 10/2012 Tam et al.
 2012/0264492 A1 10/2012 Stewart
 2012/0324076 A1 12/2012 Zerr et al.
 2013/0188322 A1 7/2013 Lowe et al.
 2013/0222270 A1 8/2013 Winkler et al.
 2013/0333095 A1 12/2013 Dudick
 2014/0053316 A1 2/2014 Su
 2014/0098009 A1 4/2014 Prest et al.
 2014/0111323 A1 4/2014 Strout et al.
 2014/0121539 A1 5/2014 Chatterjee et al.
 2014/0160055 A1 6/2014 Margolis et al.
 2014/0173807 A1 6/2014 Waters
 2014/0176417 A1 6/2014 Young et al.
 2015/0033445 A1 2/2015 Warner et al.
 2015/0096104 A1 4/2015 Kim
 2015/0146903 A1 5/2015 Mariasov
 2015/0164166 A1 6/2015 Tsai
 2015/0250245 A1 9/2015 Waters

OTHER PUBLICATIONS

U.S. Appl. No. 29/499,864, filed Aug. 19, 2014, Zenoff.
 U.S. Appl. No. 29/499,867, filed Aug. 19, 2014, Zenoff.
 U.S. Appl. No. 29/499,866, filed Aug. 19, 2014, Zenoff.
 U.S. Appl. No. 29/500,139, filed Aug. 21, 2014, Zenoff.
 U.S. Appl. No. 29/500,381, filed Aug. 25, 2014, Zenoff.
 U.S. Appl. No. 29/500,384, filed Aug. 25, 2014, Zenoff.
 U.S. Appl. No. 29/500,387, filed Aug. 25, 2014, Zenoff.
 U.S. Appl. No. 29/500,391, filed Aug. 25, 2014, Zenoff.
 U.S. Appl. No. 29/500,393, filed Aug. 25, 2014, Zenoff.
 U.S. Appl. No. 29/500,399, filed Aug. 25, 2014, Zenoff.
 U.S. Appl. No. 29/500,405, filed Aug. 25, 2014, Zenoff.
 U.S. Appl. No. 29/500,407, filed Aug. 25, 2014, Zenoff.
 U.S. Appl. No. 29/500,408, filed Aug. 25, 2014, Zenoff.
 U.S. Appl. No. 29/500,504, filed Aug. 26, 2014, Zenoff.
 U.S. Appl. No. 29/500,506, filed Aug. 26, 2014, Zenoff.
 U.S. Appl. No. 29/500,509, filed Aug. 26, 2014, Zenoff.
 U.S. Appl. No. 29/500,512, filed Aug. 26, 2014, Zenoff.
 U.S. Appl. No. 29/500,514, filed Aug. 26, 2014, Zenoff.

U.S. Appl. No. 29/500,546, filed Aug. 26, 2014, Zenoff.
 U.S. Appl. No. 29/500,551, filed Aug. 26, 2014, Zenoff.
 U.S. Appl. No. 29/500,555, filed Aug. 26, 2014, Zenoff.
 U.S. Appl. No. 29/500,557, filed Aug. 26, 2014, Zenoff.
 U.S. Appl. No. 29/500,558, filed Aug. 26, 2014, Zenoff.
 U.S. Appl. No. 29/500,562, filed Aug. 26, 2014, Zenoff.
 U.S. Appl. No. 29/500,564, filed Aug. 26, 2014, Zenoff.
 Alibaba.com. Mobile billboard advertising led truck new technology product in china mobile truck led tv screen. Available at http://www.alibaba.com/product-detail/mobile-billboard-advertising-led-truck-new_60181386676.html. Accessed on Jul. 24, 2015.
 webbozz.com. Stylish Circular Display Smart Watch-Motorola Moto 360. Feb. 2013. Available at <http://www.webbozz.com/stylish-circular-display-smart-watch-motorola-moto-360>. Accessed on Jul. 23, 2015.
 Ex parte Quayle Office action dated Dec. 3, 2015 for U.S. Appl. No. 29/500,562.
 Notice of allowance dated Nov. 6, 2015 for U.S. Appl. No. 29/500,393.
 Notice of allowance dated Nov. 6, 2015 for U.S. Appl. No. 29/500,399.
 Notice of allowance dated Nov. 24, 2015 for U.S. Appl. No. 29/499,866.
 Office action dated Oct. 7, 2015 for U.S. Appl. No. 29/500,564.
 Office action dated Oct. 8, 2015 for U.S. Appl. No. 29/500,405.
 Office action dated Oct. 28, 2015 for U.S. Appl. No. 29/500,514.
 Office action dated Nov. 5, 2015 for U.S. Appl. No. 29/500,407.
 Office action dated Nov. 9, 2015 for U.S. Appl. No. 29/500,408.
 Office action dated Nov. 12, 2015 for U.S. Appl. No. 29/499,864.
 Office action dated Nov. 16, 2015 for U.S. Appl. No. 29/499,867.
 Office action dated Nov. 19, 2015 for U.S. Appl. No. 29/499,861.
 Office action dated Nov. 23, 2015 for U.S. Appl. No. 29/500,557.
 Office action dated Nov. 24, 2015 for U.S. Appl. No. 29/500,139.
 U.S. Appl. No. 29/500,555, filed Aug. 26, 2014.
 Notice of allowance dated Jun. 14, 2016 for U.S. Appl. No. 29/500,509 of inventor Andrew Zenoff.
 Notice of allowance dated Jun. 15, 2016 for U.S. Appl. No. 29/500,555 of inventor Andrew Zenoff.
 Notice of allowance dated Jun. 22, 2016 for U.S. Appl. No. 29/500,384 of inventor Andrew Zenoff.
 Notice of allowance dated Jun. 22, 2016 for U.S. Appl. No. 29/500,387 of inventor Andrew Zenoff.
 Notice of allowance dated Jun. 22, 2016 for U.S. Appl. No. 29/500,391 of inventor Andrew Zenoff.
 Notice of allowance dated Jul. 15, 2016 for U.S. Appl. No. 29/500,514 of inventor Andrew Zenoff.
 Office action dated Aug. 2, 2016 for U.S. Appl. No. 29/499,861 of inventor Andrew Zenoff.
 Office action dated Aug. 2, 2016 for U.S. Appl. No. 29/499,864 of inventor Andrew Zenoff.
 Office action dated Aug. 10, 2016 for U.S. Appl. No. 29/499,867 of inventor Andrew Zenoff.
 Office action dated Aug. 12, 2016 for U.S. Appl. No. 29/500,557 of inventor Andrew Zenoff.
 Office action dated Aug. 12, 2016 for U.S. Appl. No. 29/500,139 of inventor Andrew Zenoff.

* cited by examiner

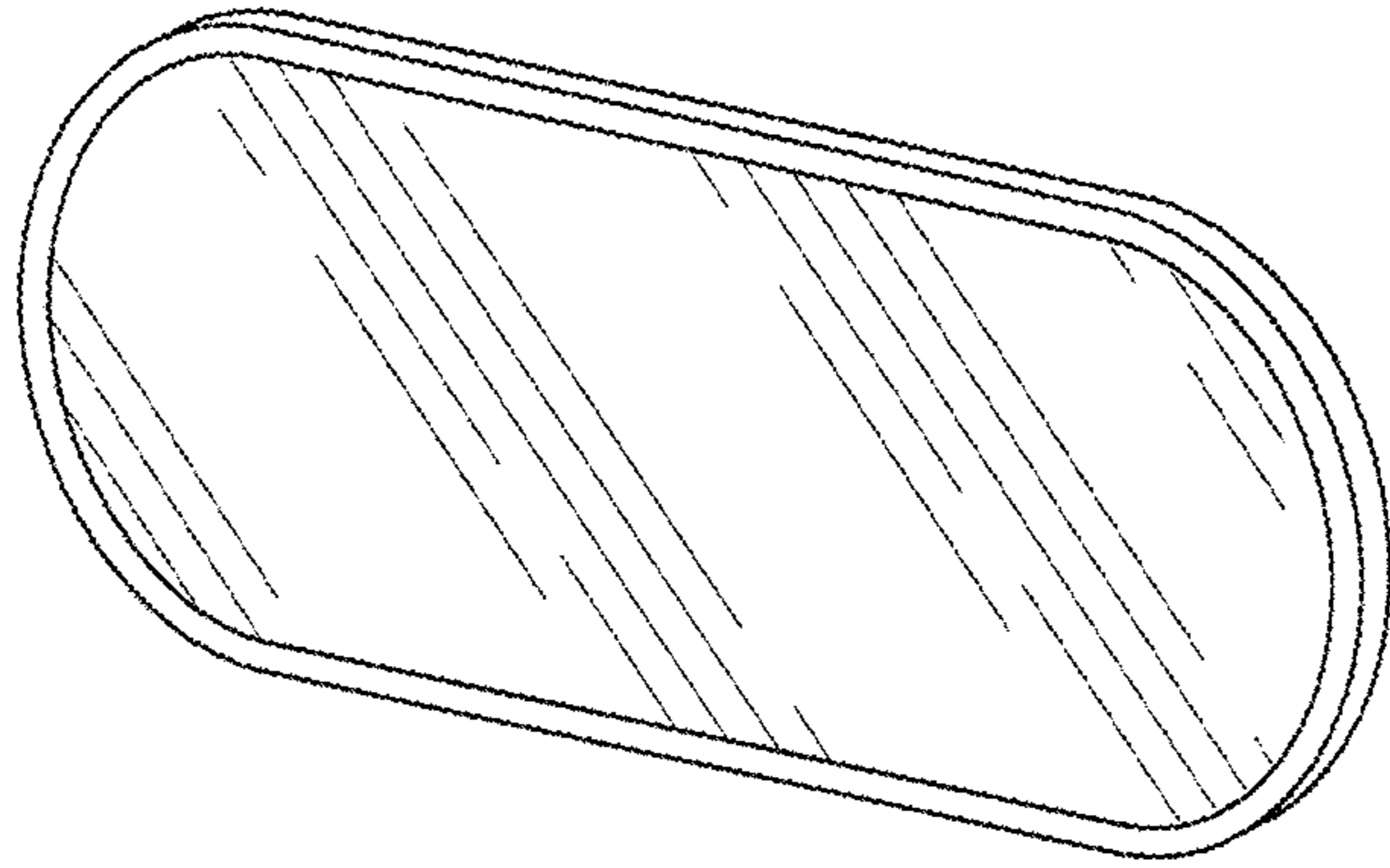


FIG. 1

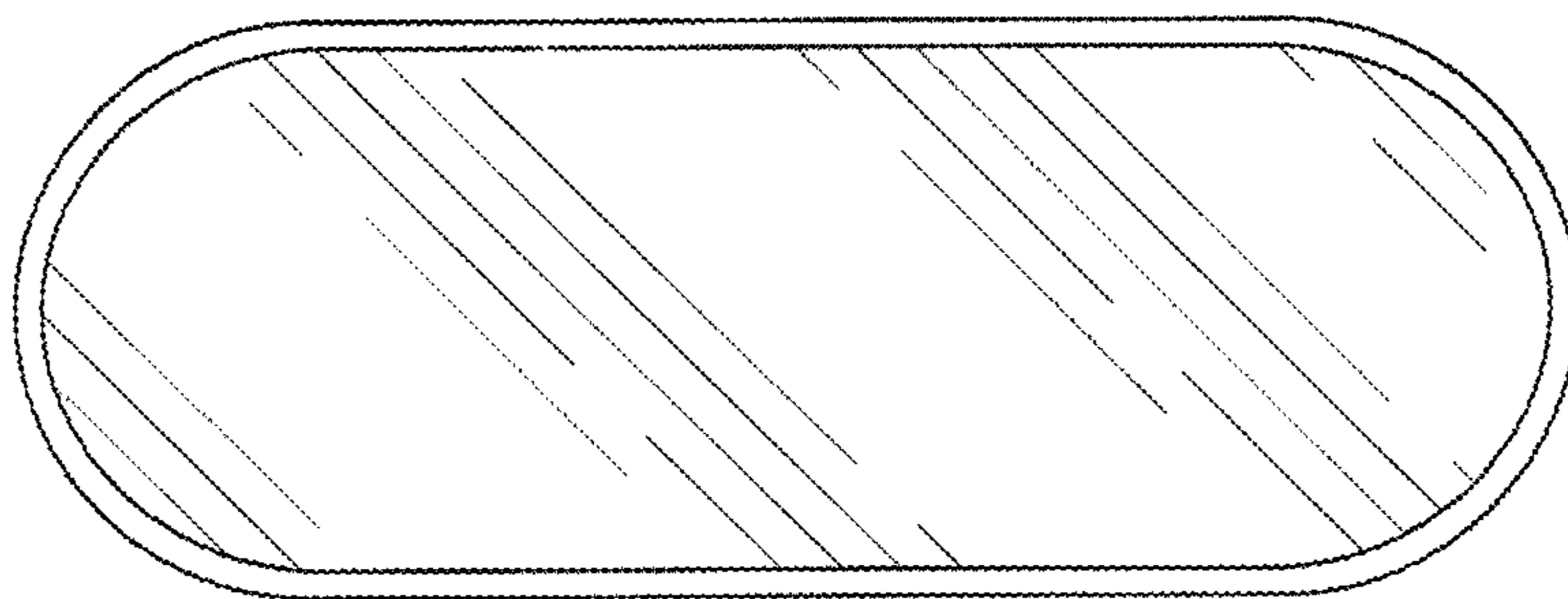


FIG. 2

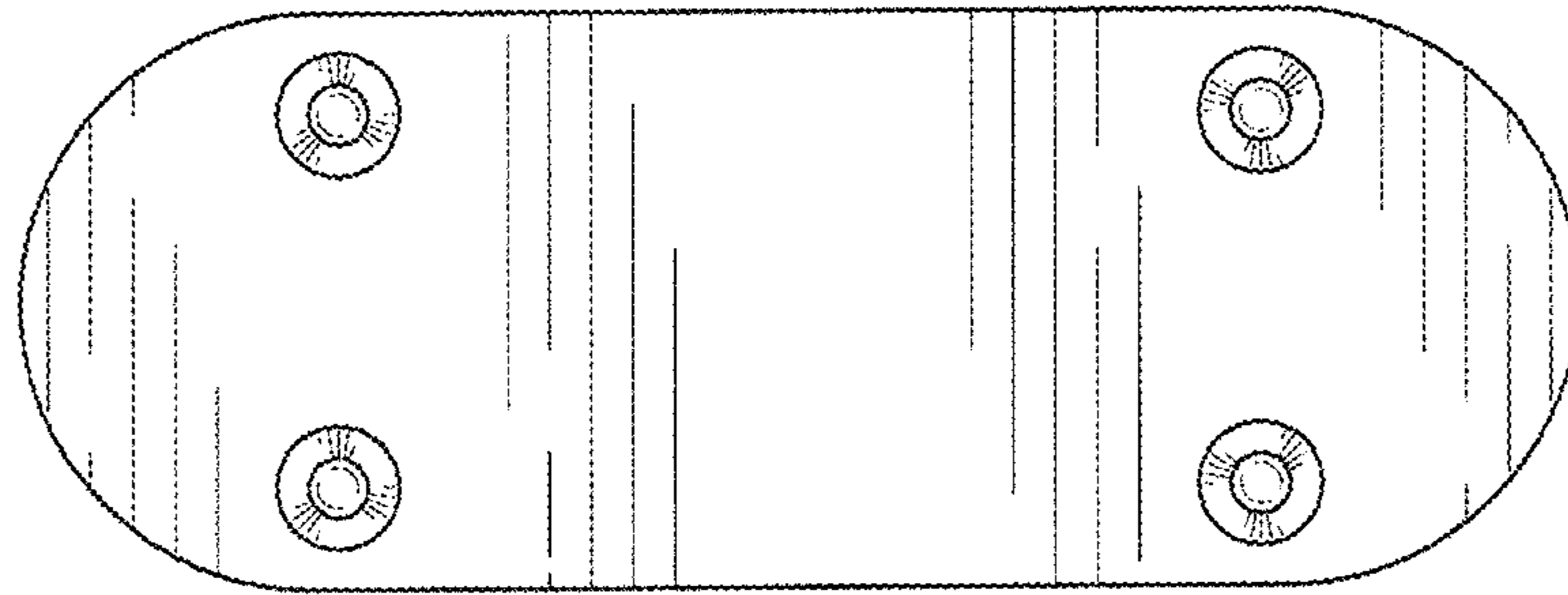


FIG. 3

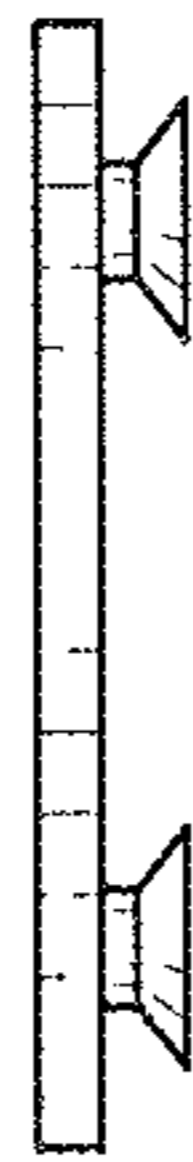


FIG. 4



FIG. 5

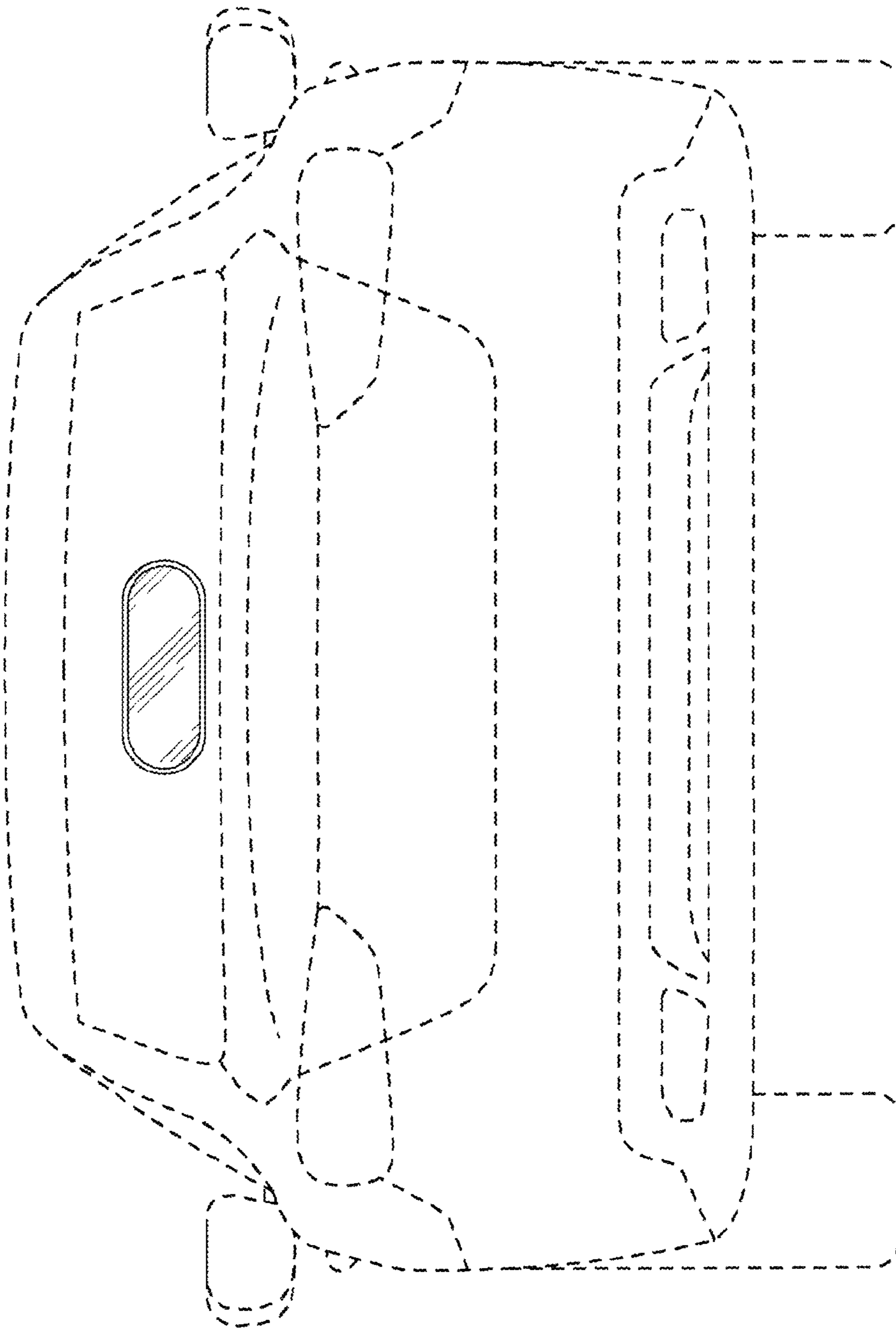


FIG. 6