

US00D776761S

(12) **United States Design Patent** (10) **Patent No.:** **US D776,761 S**
Zenoff (45) **Date of Patent:** **** Jan. 17, 2017**

(54) **ELECTRONIC DISPLAY/SCREEN WITH SUCTION CUPS**

(71) Applicant: **Andrew Zenoff**, San Anselmo, CA (US)

(72) Inventor: **Andrew Zenoff**, San Anselmo, CA (US)

(73) Assignee: **Beam Authentic, LLC**, San Anselmo, CA (US)

(**) Term: **14 Years**

(21) Appl. No.: **29/500,512**

(22) Filed: **Aug. 26, 2014**

(51) **LOC (10) Cl.** **20-03**

(52) **U.S. Cl.**
USPC **D20/42**

(58) **Field of Classification Search**
USPC D20/10, 19, 39-42, 99; D10/109.1, D10/109.2, 113.4; D6/300, 309; D12/182, D12/183; D14/126, 374
CPC G09F 3/02; G09F 3/203; G09F 7/00; G09F 7/12; G09F 7/14; G09F 7/16; G09F 2007/122; G09F 9/00; G09F 13/00; G09F 13/18; G09F 13/22; G09F 2013/1895; G09F 15/00; A45D 42/24
See application file for complete search history.

(56) **References Cited**

U.S. PATENT DOCUMENTS

| | | |
|-----------|---------|----------------|
| 65,871 A | 6/1867 | Browne |
| 168,063 A | 9/1875 | Taylor |
| 175,399 A | 3/1876 | Wheldon et al. |
| 175,733 A | 4/1876 | Myers et al. |
| 176,714 A | 4/1876 | VanHon |
| 260,332 A | 6/1882 | Simonson |
| 740,330 A | 9/1903 | Luther |
| 761,601 A | 5/1904 | Oscar |
| D39,680 S | 12/1908 | Henby |

| | | |
|-------------|---------|-------------|
| 1,114,400 A | 10/1914 | Abraham |
| 1,190,427 A | 7/1916 | Kromer, Jr. |
| 1,196,823 A | 9/1916 | Tokutaro |
| 1,215,311 A | 2/1917 | Miller |
| 1,222,528 A | 4/1917 | Leon |
| 1,378,977 A | 5/1921 | Parmley |
| D58,303 S | 7/1921 | Bartholomew |
| 1,427,891 A | 9/1922 | Ziegler |
| D62,863 S | 8/1923 | Isaac |

(Continued)

FOREIGN PATENT DOCUMENTS

| | | |
|----|------------------|---------|
| CN | 203327079 U | 12/2013 |
| WO | WO-2012061438 A2 | 5/2012 |
| WO | WO-2014054211 A1 | 4/2014 |

OTHER PUBLICATIONS

Ex parte Quayle Office action dated Dec. 3, 2015 for U.S. Appl. No. 29/500,562.

(Continued)

Primary Examiner — Mary Ann Calabrese
(74) *Attorney, Agent, or Firm* — Wilson Sonsini Goodrich & Rosati

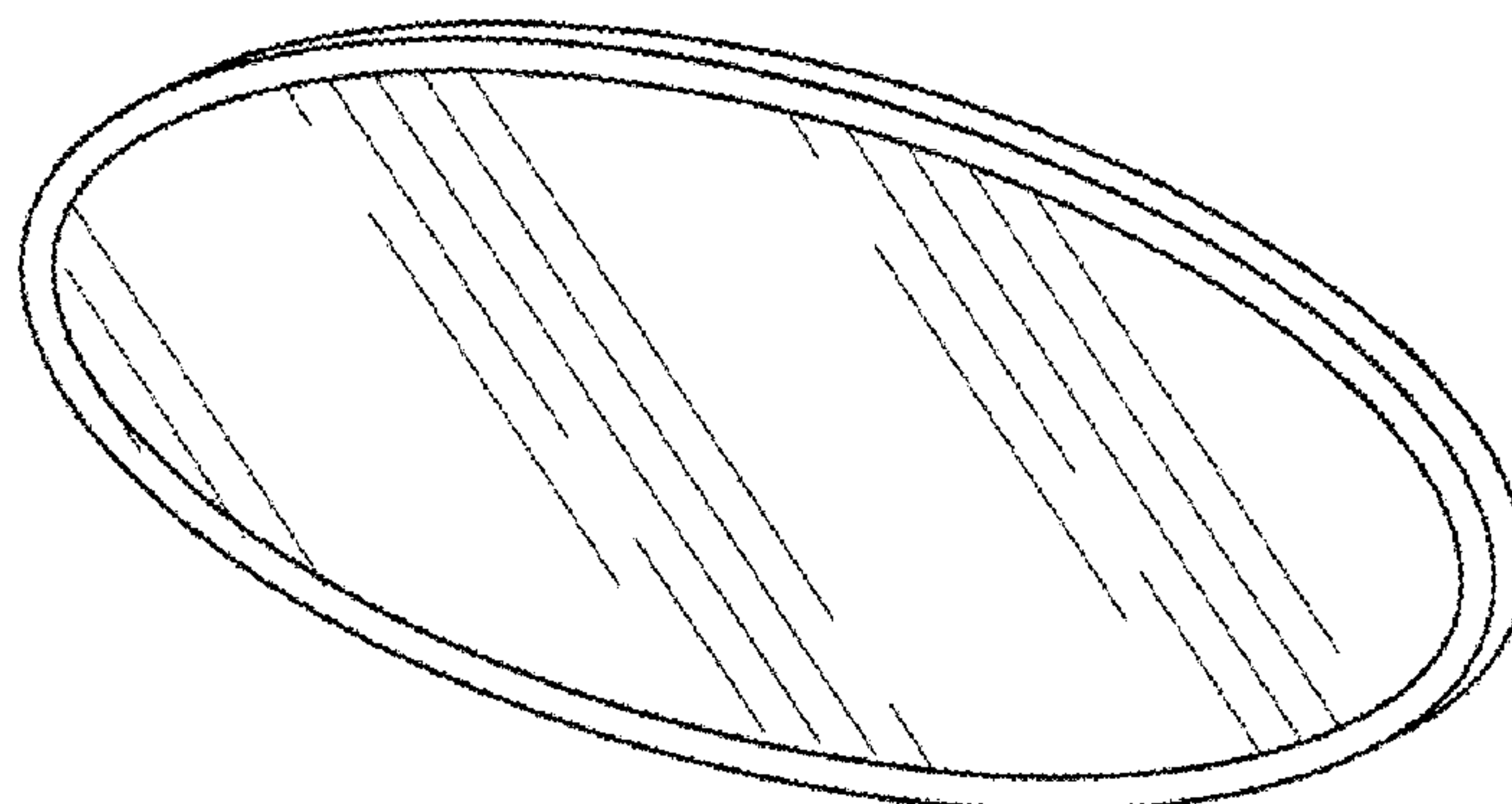
(57) **CLAIM**

The ornamental design for an electronic display/screen with suction cups, as shown and described.

DESCRIPTION

FIG. 1 shows a perspective view of an electronic display/screen with suction cups.
FIG. 2 shows a front elevational view thereof.
FIG. 3 shows a rear elevational view thereof.
FIG. 4 shows a side elevational view thereof.
FIG. 5 shows a top plan view thereof; and,
FIG. 6 shows another front elevational view thereof.
In the drawings, the broken lines illustrate environment and form no part of the claimed design.

1 Claim, 3 Drawing Sheets



(56)

References Cited

U.S. PATENT DOCUMENTS

| | | | | | | | |
|---------------|---------|-----------------|----------------------|--------------|---------|-------------------|---------|
| 1,481,975 A | 1/1924 | Bender | | 5,548,847 A | 8/1996 | Spicijaric | |
| D64,441 S | 4/1924 | Henry | | 5,621,914 A | 4/1997 | Ramone et al. | |
| 1,502,160 A | 7/1924 | Reinthal | | 5,632,044 A | 5/1997 | Sloot | |
| D66,331 S | 12/1924 | Pegg | | 5,638,202 A | 6/1997 | Rofe | |
| 1,560,073 A | 11/1925 | Bontempi et al. | | D383,892 S | 9/1997 | Virzi | |
| 1,566,663 A | 12/1925 | Finkelstein | | D389,754 S | 1/1998 | Skubala | |
| 1,582,812 A | 4/1926 | Avin | | D391,741 S | 3/1998 | Baker | |
| 1,586,242 A * | 5/1926 | Duthie | B60Q 1/34 340/458 | D396,546 S | 8/1998 | Marrs | |
| | | | | D396,938 S | 8/1998 | Bugatti | |
| | | | | D397,239 S | 8/1998 | Marrs | |
| | | | | 5,794,267 A | 8/1998 | Wallace | |
| | | | | D397,838 S | 9/1998 | Waggoner | |
| | | | | 5,823,328 A | 10/1998 | Fomby | |
| 1,606,798 A | 11/1926 | Karger | | D401,086 S | 11/1998 | Hellwig | |
| 1,616,475 A | 2/1927 | Tracey | | D401,738 S | 12/1998 | Scerbo | |
| D73,128 S | 7/1927 | Harris | | D403,491 S | 1/1999 | Wyatt et al. | |
| D79,398 S | 9/1929 | Edward | | D405,239 S | 2/1999 | Kostinko | |
| 1,782,414 A | 11/1930 | Duer | | D406,687 S | 3/1999 | Thorpe | |
| 1,784,970 A * | 12/1930 | Melton | A45D 42/00 40/725 | D407,190 S | 3/1999 | Day | |
| | | | | 5,943,698 A | 8/1999 | Blanks | |
| | | | | 5,945,179 A | 8/1999 | Gautreanu | |
| D95,170 S | 4/1935 | Baumgard | | 5,960,476 A | 10/1999 | Danzy | |
| 2,094,104 A | 9/1937 | Lee et al. | | D417,063 S | 11/1999 | Henning | |
| D115,046 S | 5/1939 | Marks | | D418,279 S | 1/2000 | Day | |
| 2,226,133 A | 12/1940 | Lee, Jr. | | 6,012,172 A | 1/2000 | Steffy | |
| 2,252,207 A | 8/1941 | Rodgers | | 6,022,599 A | 2/2000 | Rietveld et al. | |
| D130,393 S | 11/1941 | Paul et al. | | D424,282 S | 5/2000 | Crumpton et al. | |
| 2,298,381 A | 10/1942 | Horwitz | | D427,751 S | 7/2000 | Richlin | |
| 2,387,482 A | 10/1945 | Vineberg | | 6,154,992 A | 12/2000 | Lee | |
| 2,440,407 A | 4/1948 | Kuenstner | | D436,991 S | 1/2001 | Morgante | |
| 2,445,922 A | 7/1948 | Ostolaza et al. | | D438,374 S | 3/2001 | Hayman | |
| D162,354 S * | 3/1951 | Smith | D20/10 | D441,191 S | 5/2001 | Vazquez | |
| 2,604,807 A | 7/1952 | Woodburn | | D444,618 S | 7/2001 | Wilson | |
| 2,682,667 A | 7/1954 | Michelstetter | | D447,318 S | 9/2001 | Gath | |
| 2,776,435 A | 1/1957 | Trimpert | | 6,308,445 B1 | 10/2001 | Porraro | |
| 2,839,860 A | 6/1958 | Fry | | D452,767 S | 1/2002 | Balloni et al. | |
| D193,829 S | 10/1962 | Van-Den-Berg | | D453,610 S | 2/2002 | Lee | |
| 3,346,153 A | 10/1967 | Galasso | | 6,370,696 B1 | 4/2002 | Kronenberger | |
| 3,556,115 A | 1/1971 | Benson | | D459,059 S | 6/2002 | Park | |
| D221,719 S | 8/1971 | Hoskins | | D459,094 S * | 6/2002 | Stone | D6/309 |
| D231,356 S * | 4/1974 | Kurz | D23/393 | 6,408,443 B1 | 6/2002 | Park | |
| 3,895,797 A | 7/1975 | Moore | | D460,604 S | 7/2002 | Sullivan, Jr. | |
| 3,959,826 A | 6/1976 | Hakanson | | 6,470,499 B1 | 10/2002 | Joiner | |
| D251,336 S | 3/1979 | Getgey | | D470,450 S | 2/2003 | Olzak | |
| D255,397 S | 6/1980 | Button | | D472,695 S | 4/2003 | Lee | |
| D263,092 S | 2/1982 | Fay | | D473,039 S | 4/2003 | Erspamer | |
| 4,529,278 A | 7/1985 | Nugent | | 6,588,021 B2 | 7/2003 | Kronenberger | |
| 4,535,478 A | 8/1985 | Zuefle | | D478,710 S | 8/2003 | Yan | |
| 4,611,355 A | 9/1986 | Galanto et al. | | D482,185 S | 11/2003 | Park | |
| 4,636,047 A | 1/1987 | Green | | 6,643,847 B1 | 11/2003 | Dornak | |
| 4,671,003 A | 6/1987 | Vitol | | D483,173 S | 12/2003 | Harris et al. | |
| D292,044 S | 9/1987 | Billiet | | D483,928 S | 12/2003 | Mansell et al. | |
| 4,710,981 A | 12/1987 | Sanchez | | 6,672,748 B2 | 1/2004 | Baldwin | |
| 4,827,384 A | 5/1989 | Von Schlemmer | | D487,329 S | 3/2004 | Prinz | |
| 4,834,688 A | 5/1989 | Jones | | 6,751,805 B1 | 6/2004 | Austion | |
| 4,873,726 A | 10/1989 | Tapia | | D494,745 S | 8/2004 | Kronenberger | |
| 4,924,613 A | 5/1990 | Levin | | D496,146 S | 9/2004 | Appleberry | |
| 5,054,127 A | 10/1991 | Zevchak | | D496,775 S | 10/2004 | Tanner | |
| 5,070,545 A | 12/1991 | Tapia | | D497,648 S | 10/2004 | Carlson | |
| 5,099,594 A | 3/1992 | Reas et al. | | 6,810,533 B1 | 11/2004 | Nahabedian et al. | |
| 5,102,129 A | 4/1992 | Roberts | | 6,820,281 B2 | 11/2004 | Mariland et al. | |
| 5,131,177 A * | 7/1992 | Sy, Jr. | G09F 3/203 40/591 | D502,589 S | 3/2005 | Lee | |
| | | | | D509,947 S | 9/2005 | Fortune | |
| 5,167,559 A | 12/1992 | Power-Fardy | | 6,948,189 B2 | 9/2005 | Early | |
| D333,030 S | 2/1993 | Wilkes | | D517,283 S | 3/2006 | Shin et al. | |
| 5,253,368 A | 10/1993 | Blake | | D522,559 S | 6/2006 | Naito et al. | |
| D341,712 S | 11/1993 | Fulcher | | D523,612 S | 6/2006 | Steger | |
| 5,305,538 A | 4/1994 | Kanzelberger | | D539,012 S | 3/2007 | Evans | |
| D347,102 S | 5/1994 | Strasner | | D543,014 S | 5/2007 | Sharpe et al. | |
| D350,221 S | 9/1994 | Van Doren | | D543,338 S | 5/2007 | Park | |
| 5,359,733 A | 11/1994 | Brannon et al. | | 7,219,374 B2 | 5/2007 | Cho | |
| 5,437,062 A | 8/1995 | Douglas | | D548,657 S * | 8/2007 | Eskandry | D12/183 |
| 5,452,479 A | 9/1995 | Mostert | | D558,427 S | 1/2008 | Solin | |
| 5,454,120 A | 10/1995 | Rowlands | | D558,431 S | 1/2008 | Pritchett | |
| 5,462,471 A | 10/1995 | Power-Fardy | | D558,955 S | 1/2008 | Taylor | |
| 5,465,426 A | 11/1995 | Beaton | | 7,331,064 B1 | 2/2008 | Quintal | |
| 5,476,194 A | 12/1995 | Hippely et al. | | 7,424,751 B1 | 9/2008 | Miller | |
| 5,477,629 A | 12/1995 | Gleason, Jr. | | D577,879 S | 10/2008 | Jones | |
| D367,158 S | 2/1996 | Baker | | D580,184 S * | 11/2008 | Svendson | D6/309 |
| D370,354 S | 6/1996 | Deakyne | | | | | |

(56)

References Cited

U.S. PATENT DOCUMENTS

| | | | | | |
|----------------|---------|-----------------------------------|-------------------|---------|--|
| 7,490,364 B2 | 2/2009 | Kim | D727,150 S | 4/2015 | Leitch et al. |
| D600,879 S | 9/2009 | Accardi | D729,650 S | 5/2015 | Phillips et al. |
| D603,144 S | 11/2009 | South | D730,563 S * | 5/2015 | Renshaw D26/89 |
| D603,585 S | 11/2009 | Capriola | D733,130 S | 6/2015 | Kim et al. |
| 7,621,000 B1 | 11/2009 | Fulton | D734,329 S | 7/2015 | Lee |
| D606,284 S | 12/2009 | Caten et al. | D736,495 S | 8/2015 | Bednarz |
| D607,627 S | 1/2010 | Kowalczyk | D736,768 S | 8/2015 | Kuwabara et al. |
| D608,531 S | 1/2010 | Kronenberger | D736,993 S * | 8/2015 | Wang D26/124 |
| D613,037 S | 4/2010 | Iamartino et al. | D738,071 S | 9/2015 | Kamhi et al. |
| D617,636 S | 6/2010 | Vanhoutte | D739,403 S | 9/2015 | David et al. |
| D619,336 S | 7/2010 | Eyl | 9,161,584 B1 | 10/2015 | Garrett, Jr. |
| D619,789 S | 7/2010 | Barany | D743,149 S | 11/2015 | Brandelli |
| D621,590 S | 8/2010 | Martin | D745,251 S | 12/2015 | Bednarz |
| D624,286 S | 9/2010 | Hall | D745,252 S | 12/2015 | Bednarz |
| D625,082 S | 10/2010 | Jones | D746,283 S | 12/2015 | Cha et al. |
| D629,183 S | 12/2010 | Adams et al. | D748,091 S | 1/2016 | Akana et al. |
| D630,822 S | 1/2011 | Thomas | D748,379 S | 2/2016 | Fitzpatrick et al. |
| D635,336 S | 4/2011 | Alger | D751,794 S | 3/2016 | Zenoff |
| D635,743 S | 4/2011 | Johnson | D751,795 S | 3/2016 | Zenoff |
| D635,976 S | 4/2011 | Lee et al. | D751,796 S | 3/2016 | Gewirz et al. |
| D636,562 S | 4/2011 | Lam et al. | D754,422 S | 4/2016 | Zenoff |
| 7,926,122 B1 | 4/2011 | Countryman | D760,475 S | 7/2016 | Zenoff |
| 7,974,432 B1 | 7/2011 | Ryan | D761,912 S | 7/2016 | Zenoff |
| 7,992,224 B2 | 8/2011 | Tai | 2001/0034894 A1 | 11/2001 | Godfrey et al. |
| D647,286 S | 10/2011 | Malek | 2003/0073412 A1 | 4/2003 | Meade et al. |
| D647,689 S | 11/2011 | Girbaud et al. | 2003/0221234 A1 | 12/2003 | Wang |
| D649,040 S | 11/2011 | Sanders | 2004/0221368 A1 | 11/2004 | Okot |
| D649,744 S | 12/2011 | Weinshanker | 2005/0132470 A1 | 6/2005 | Wong |
| D653,017 S | 1/2012 | Hamlin | 2005/0214495 A1 | 9/2005 | Thiebaut |
| D654,251 S | 2/2012 | Alkas-Shamoun | 2006/0112707 A1 | 6/2006 | Tu |
| D655,601 S | 3/2012 | Daley et al. | 2006/0117458 A1 | 6/2006 | Ishihara et al. |
| D657,424 S | 4/2012 | Podd | 2006/0206985 A1 | 9/2006 | Proctor |
| D658,603 S | 5/2012 | Egawa et al. | 2006/0209218 A1 | 9/2006 | Lee et al. |
| D658,899 S * | 5/2012 | Zadro D6/309 | 2006/0249404 A1 | 11/2006 | Adams |
| D659,351 S | 5/2012 | Benkendorfer | 2007/0056078 A1 | 3/2007 | Tseng |
| D660,554 S | 5/2012 | Blackshear | 2007/0143906 A1 | 6/2007 | Renteria |
| D661,061 S | 6/2012 | Eveleth | 2007/0182664 A1 | 8/2007 | Himmele |
| D661,063 S | 6/2012 | Eveleth | 2007/0247312 A1 | 10/2007 | Sekine |
| D661,446 S | 6/2012 | Davis | 2007/0256213 A1 | 11/2007 | Dunavin |
| D670,068 S | 11/2012 | Bomze | 2008/0000013 A1 | 1/2008 | Talley |
| D670,892 S | 11/2012 | Epstein | 2009/0084009 A1 * | 4/2009 | Vandergriff G09F 15/00 40/546 |
| D671,716 S | 12/2012 | Lam et al. | 2009/0251888 A1 | 10/2009 | Douglas |
| D672,294 S | 12/2012 | Thompson | 2009/0306485 A1 | 12/2009 | Bell |
| 8,364,220 B2 | 1/2013 | Sandmore | 2009/0310290 A1 | 12/2009 | Tennent |
| D681,867 S | 5/2013 | Wegger et al. | 2010/0058514 A1 | 3/2010 | Koh |
| 8,453,265 B2 | 6/2013 | Forte et al. | 2010/0095573 A1 | 4/2010 | Lifshitz |
| 8,458,820 B2 | 6/2013 | Cleva | 2010/0100004 A1 | 4/2010 | Van Someren |
| D693,099 S | 11/2013 | Purdy | 2010/0131613 A1 | 5/2010 | Jonsson et al. |
| 8,626,586 B1 | 1/2014 | Biere et al. | 2010/0299979 A1 | 12/2010 | Lamere |
| D699,928 S | 2/2014 | Tien | 2010/0306808 A1 | 12/2010 | Neumeier et al. |
| D701,504 S | 3/2014 | Christopher et al. | 2010/0313334 A1 | 12/2010 | Moy |
| 8,677,515 B2 | 3/2014 | Ishihara et al. | 2011/0041238 A1 | 2/2011 | Brzoska |
| D702,928 S | 4/2014 | White | 2011/0088715 A1 | 4/2011 | Lee et al. |
| D703,069 S | 4/2014 | Adams et al. | 2011/0094016 A1 | 4/2011 | Paulson |
| D704,925 S | 5/2014 | Cho | 2011/0187681 A1 | 8/2011 | Kim et al. |
| D705,527 S | 5/2014 | Clark | 2011/0246908 A1 | 10/2011 | Akram et al. |
| D708,427 S | 7/2014 | Cho | 2011/0295749 A1 | 12/2011 | Scalisi |
| D709,675 S | 7/2014 | Cho | 2012/0005809 A1 | 1/2012 | Johnson |
| D710,220 S | 8/2014 | Daniel | 2012/0089437 A1 | 4/2012 | Amento et al. |
| D710,569 S | 8/2014 | Pelengaris | 2012/0163269 A1 | 6/2012 | Shuster et al. |
| D711,002 S | 8/2014 | Ohnemus et al. | 2012/0198600 A1 | 8/2012 | Niazi |
| D711,874 S * | 8/2014 | Cope D14/374 | 2012/0210616 A1 | 8/2012 | Laraque |
| D712,635 S | 9/2014 | Rivas | 2012/0256902 A1 | 10/2012 | Tam et al. |
| D713,622 S | 9/2014 | Steel | 2012/0264492 A1 | 10/2012 | Stewart |
| D714,031 S | 9/2014 | Javits, Jr. | 2012/0324076 A1 | 12/2012 | Zerr et al. |
| D716,078 S | 10/2014 | Theisen et al. | 2013/0188322 A1 | 7/2013 | Lowe et al. |
| 8,869,312 B2 | 10/2014 | Tuohy et al. | 2013/0222270 A1 | 8/2013 | Winkler et al. |
| D716,528 S | 11/2014 | Badish | 2013/0333095 A1 | 12/2013 | Dudick |
| D717,019 S | 11/2014 | Van Dalen | 2014/0053316 A1 | 2/2014 | Su |
| D718,731 S | 12/2014 | Lee et al. | 2014/0098009 A1 | 4/2014 | Prest et al. |
| 8,898,820 B2 | 12/2014 | Sokolowski et al. | 2014/0111323 A1 | 4/2014 | Strout et al. |
| 8,905,560 B1 * | 12/2014 | Zadro A45D 42/14 248/467 | 2014/0121539 A1 | 5/2014 | Chatterjee et al. |
| D721,874 S | 2/2015 | Robbins et al. | 2014/0160055 A1 | 6/2014 | Margolis et al. |
| 8,950,012 B2 | 2/2015 | Ilges et al. | 2014/0173807 A1 | 6/2014 | Waters |
| | | | 2014/0176417 A1 | 6/2014 | Young et al. |
| | | | 2015/0033445 A1 | 2/2015 | Warner et al. |
| | | | 2015/0096104 A1 | 4/2015 | Kim |
| | | | 2015/0146903 A1 | 5/2015 | Mariasov |

(56)

References Cited

U.S. PATENT DOCUMENTS

2015/0164166 A1 6/2015 Tsai
 2015/0250245 A1 9/2015 Waters
 2015/0312975 A1 10/2015 Tischler et al.
 2016/0019821 A1 1/2016 Haddad

OTHER PUBLICATIONS

Notice of allowance dated Nov. 6, 2015 for U.S. Appl. No. 29/500,393.

Notice of allowance dated Nov. 6, 2015 for U.S. Appl. No. 29/500,399.

Notice of allowance dated Nov. 24, 2015 for U.S. Appl. No. 29/499,866.

Office action dated Oct. 7, 2015 for U.S. Appl. No. 29/500,564.

Office action dated Oct. 8, 2015 for U.S. Appl. No. 29/500,405.

Office action dated Oct. 28, 2015 for U.S. Appl. No. 29/500,514.

Office action dated Nov. 5, 2015 for U.S. Appl. No. 29/500,407.

Office action dated Nov. 9, 2015 for U.S. Appl. No. 29/500,408.

Office action dated Nov. 12, 2015 for U.S. Appl. No. 29/499,864.

Office action dated Nov. 16, 2015 for U.S. Appl. No. 29/499,867.

Office action dated Nov. 19, 2015 for U.S. Appl. No. 29/499,861.

Office action dated Nov. 23, 2015 for U.S. Appl. No. 29/500,557.

Office action dated Nov. 24, 2015 for U.S. Appl. No. 29/500,139.

U.S. Appl. No. 29/499,861, filed Aug. 19, 2014, Zenoff.

U.S. Appl. No. 29/499,864, filed Aug. 19, 2014, Zenoff.

U.S. Appl. No. 29/499,867, filed Aug. 19, 2014, Zenoff.

U.S. Appl. No. 29/499,866, filed Aug. 19, 2014, Zenoff.

U.S. Appl. No. 29/500,139, filed Aug. 21, 2014, Zenoff.

U.S. Appl. No. 29/500,381, filed Aug. 25, 2014, Zenoff.

U.S. Appl. No. 29/500,384, filed Aug. 25, 2014, Zenoff.

U.S. Appl. No. 29/500,387, filed Aug. 25, 2014, Zenoff.

U.S. Appl. No. 29/500,391, filed Aug. 25, 2014, Zenoff.

U.S. Appl. No. 29/500,393, filed Aug. 25, 2014, Zenoff.

U.S. Appl. No. 29/500,399, filed Aug. 25, 2014, Zenoff.

U.S. Appl. No. 29/500,405, filed Aug. 25, 2014, Zenoff.

U.S. Appl. No. 29/500,407, filed Aug. 25, 2014, Zenoff.

U.S. Appl. No. 29/500,408, filed Aug. 25, 2014, Zenoff.

U.S. Appl. No. 29/500,504, filed Aug. 26, 2014, Zenoff.

U.S. Appl. No. 29/500,506, filed Aug. 26, 2014, Zenoff.

U.S. Appl. No. 29/500,509, filed Aug. 26, 2014, Zenoff.

U.S. Appl. No. 29/500,514, filed Aug. 26, 2014, Zenoff.

U.S. Appl. No. 29/500,546, filed Aug. 26, 2014, Zenoff.

U.S. Appl. No. 29/500,551, filed Aug. 26, 2014, Zenoff.

U.S. Appl. No. 29/500,553, filed Aug. 26, 2014, Zenoff.

U.S. Appl. No. 29/500,555, filed Aug. 26, 2014, Zenoff.

U.S. Appl. No. 29/500,557, filed Aug. 26, 2014, Zenoff.

U.S. Appl. No. 29/500,558, filed Aug. 26, 2014, Zenoff.

U.S. Appl. No. 29/500,562, filed Aug. 26, 2014, Zenoff.

U.S. Appl. No. 29/500,564, filed Aug. 26, 2014, Zenoff.

Alibaba.com. Mobile billboard advertising led truck new technology product in china mobile truck led tv screen. Available at http://www.alibaba.com/product-detail/mobile-billboard-advertising-led-truck-new_60181386676.html. Accessed on Jul. 24, 2015.

webbozz.com. Stylish Circular Display Smart Watch—Motorola Moto 360. Feb. 2013. Available at <http://www.webbozz.com/stylish-circular-display-smart-watch-motorola-moto-360>. Accessed on Jul. 23, 2015.

Ex Parte Quayle Action dated Feb. 17, 2016 for U.S. Appl. No. 29/500,551 of inventor Andrew Zenoff.

Ex Parte Quayle action dated Feb. 17, 2016 for U.S. Appl. No. 29/500,553 of inventor Andrew Zenoff.

Ex parte Quayle Office action dated Feb. 12, 2016 for U.S. Appl. No. 29/500,509 of inventor Andrew Zenoff.

Notice of allowance dated Feb. 3, 2016 for U.S. Appl. No. 29/500,504 of inventor Andrew Zenoff.

Notice of allowance dated Mar. 3, 2016 for U.S. Appl. No. 29/500,555 of inventor Andrew Zenoff.

Notice of allowance dated Apr. 25, 2016 for U.S. Appl. No. 29/500,384 of inventor Andrew Zenoff.

Notice of allowance dated Apr. 27, 2016 for U.S. Appl. No. 29/500,387 of inventor Andrew Zenoff.

Notice of allowance dated Apr. 27, 2016 for U.S. Appl. No. 29/500,391 of inventor Andrew Zenoff.

Notice of allowance dated Apr. 27, 2016 for U.S. Appl. No. 29/500,509 of inventor Andrew Zenoff.

Notice of allowance dated Jun. 14, 2016 for U.S. Appl. No. 29/500,509 of inventor Andrew Zenoff.

Notice of allowance dated Jun. 15, 2016 for U.S. Appl. No. 29/500,555 of inventor Andrew Zenoff.

Notice of allowance dated Jun. 22, 2016 for U.S. Appl. No. 29/500,384 of inventor Andrew Zenoff.

Notice of allowance dated Jun. 22, 2016 for U.S. Appl. No. 29/500,387 of inventor Andrew Zenoff.

Notice of allowance dated Jun. 22, 2016 for U.S. Appl. No. 29/500,391 of inventor Andrew Zenoff.

Notice of allowance dated Jul. 15, 2016 for U.S. Appl. No. 29/500,514 of inventor Andrew Zenoff.

Notice of allowance dated Apr. 25, 2016 for U.S. Appl. No. 29/500,381 of inventor Andrew Zenoff.

Office action dated Feb. 12, 2016 for U.S. Appl. No. 29/500,506 of inventor Andrew Zenoff.

Office action dated Feb. 22, 2016 for U.S. Appl. No. 29/500,558 of inventor Andrew Zenoff.

Office action dated Mar. 14, 2016 for U.S. Appl. No. 29/500,546 of inventor Andrew Zenoff.

Office action dated Apr. 20, 2016 for U.S. Appl. No. 29/500,564 of inventor Andrew Zenoff.

Office action dated Aug. 2, 2016 for U.S. Appl. No. 29/499,861 of inventor Andrew Zenoff.

Office action dated Aug. 2, 2016 for U.S. Appl. No. 29/499,864 of inventor Andrew Zenoff.

Office action dated Aug. 10, 2016 for U.S. Appl. No. 29/499,867 of inventor Andrew Zenoff.

Office action dated Aug. 12, 2016 for U.S. Appl. No. 29/500,557 of inventor Andrew Zenoff.

Office action dated Aug. 12, 2016 for U.S. Appl. No. 29/500,139 of inventor Andrew Zenoff.

* cited by examiner

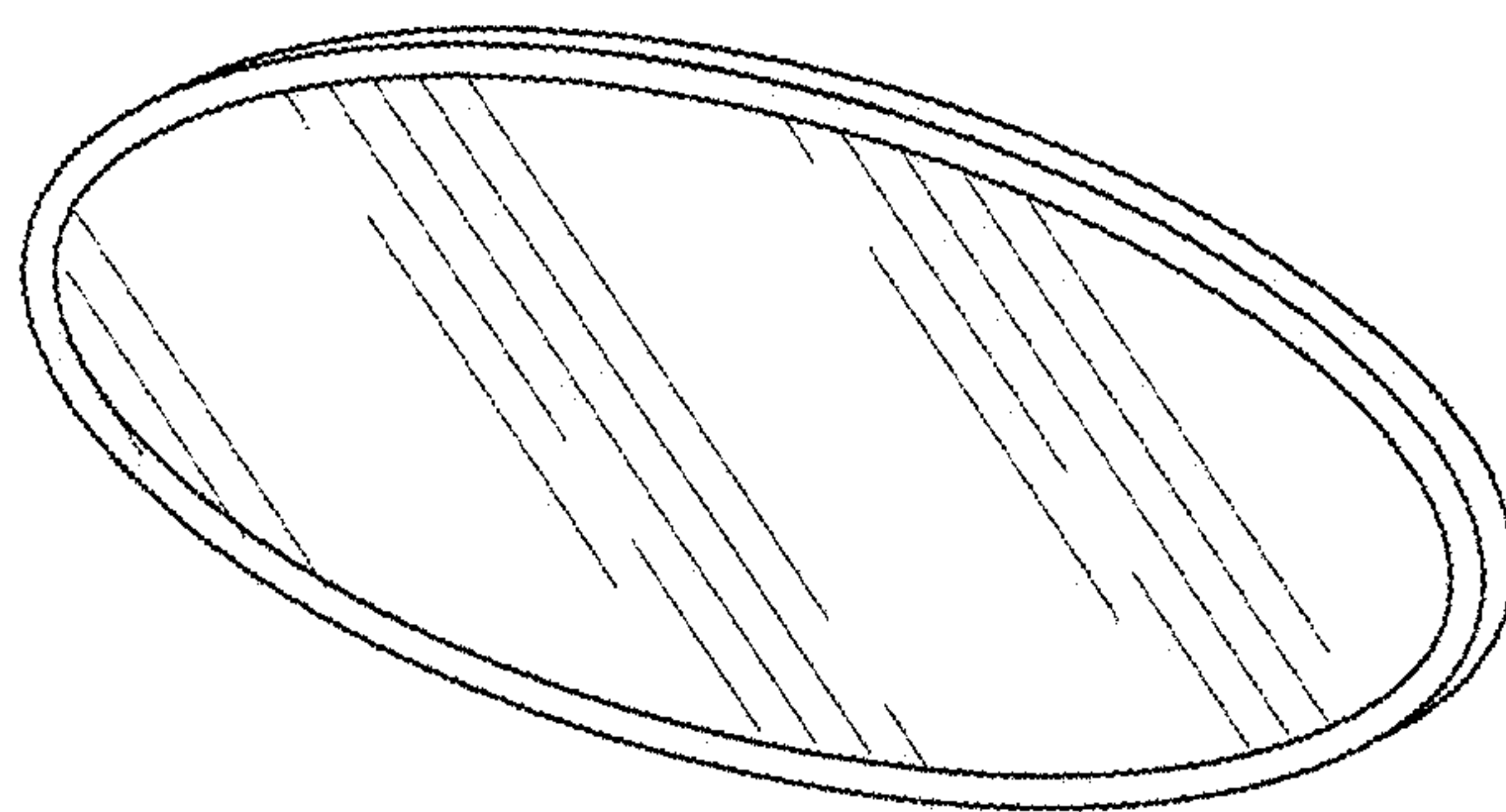


FIG. 1

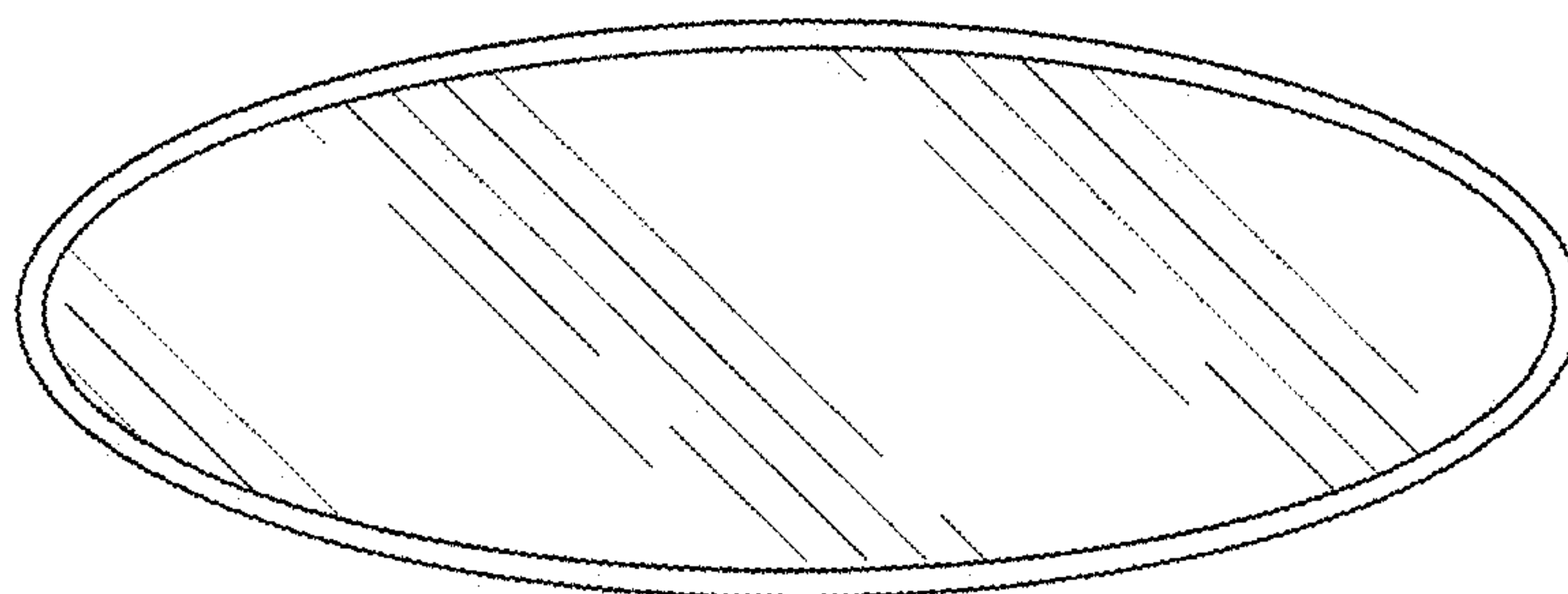


FIG. 2

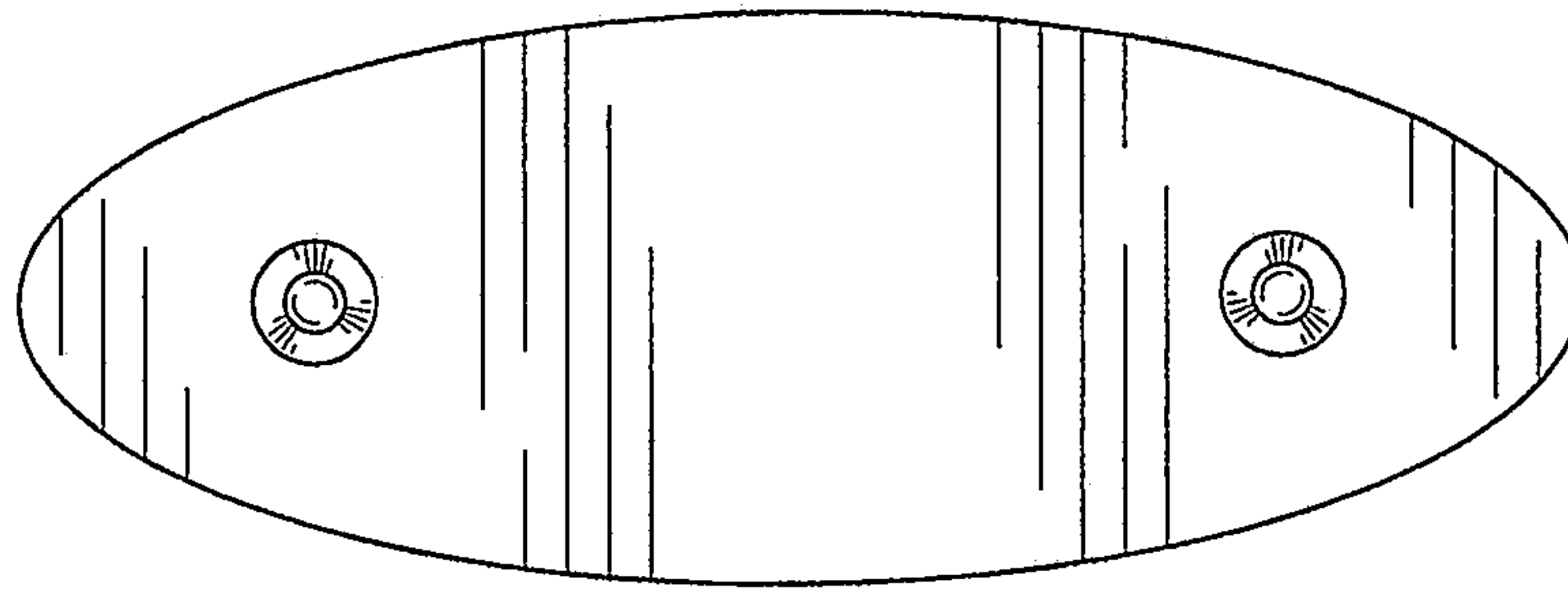


FIG. 3



FIG. 4



FIG. 5

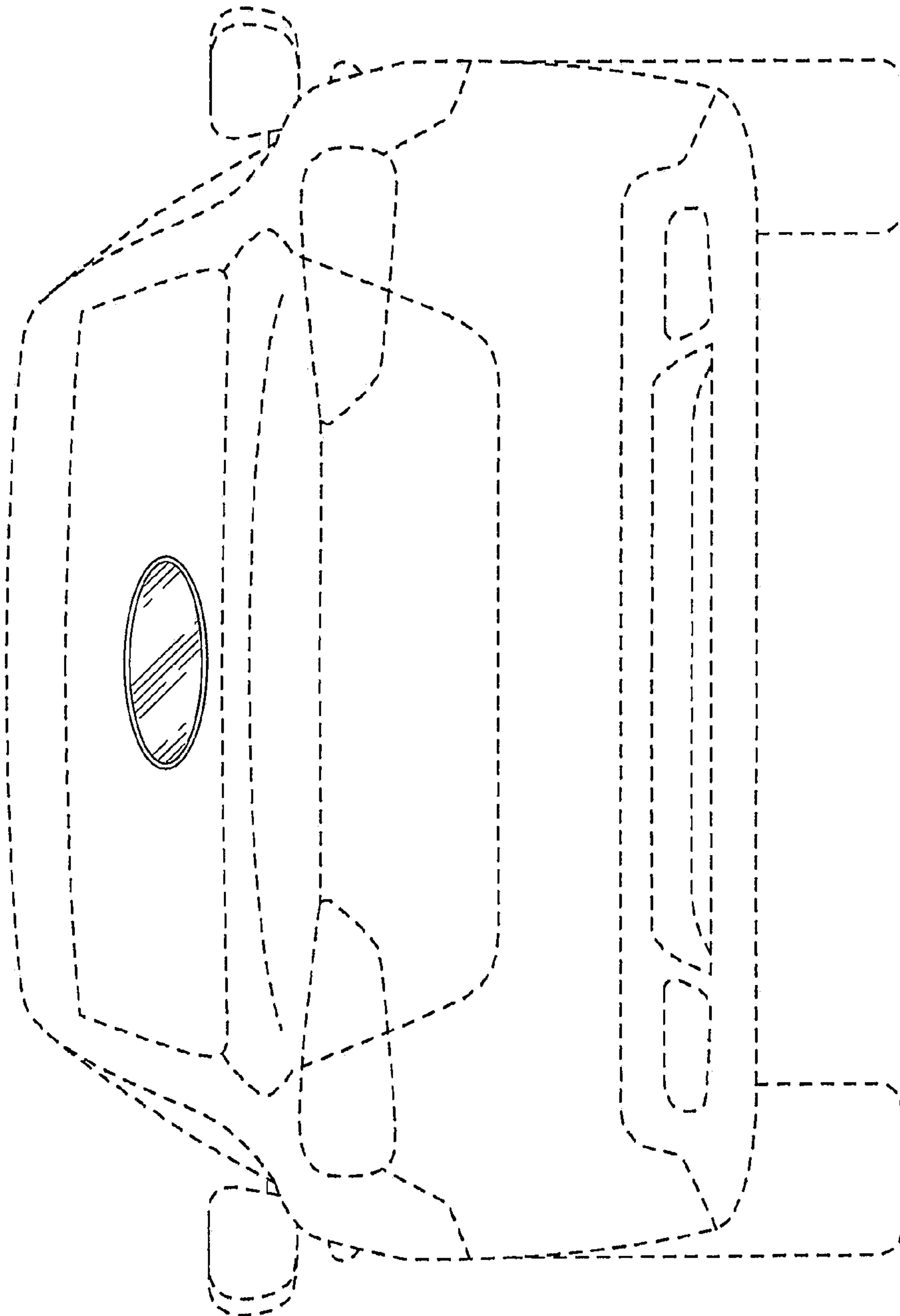


FIG. 6