



US00D776760S

(12) **United States Design Patent**  
**Simon**

(10) **Patent No.:** **US D776,760 S**

(45) **Date of Patent:** **\*\* Jan. 17, 2017**

(54) **FOUNTAIN PEN**

(71) Applicant: **Schwan-STABILO Schwanhaeusser GmbH & Co. KG**, Heroldsberg (DE)

(72) Inventor: **Boris Simon**, Munich (DE)

(73) Assignee: **Schwan-STABILO Schwanhaeusser GmbH & Co. KG**, Heroldsberg (DE)

(\*\*) Term: **14 Years**

(21) Appl. No.: **29/516,181**

(22) Filed: **Jan. 29, 2015**

(30) **Foreign Application Priority Data**

Jul. 30, 2014 (EM) ..... 002511907-0014

(51) **LOC (10) Cl.** ..... **19-06**

(52) **U.S. Cl.**  
USPC ..... **D19/167**

(58) **Field of Classification Search**  
USPC ..... D14/411; D19/115-204  
CPC ..... B43K 5/00; B43K 5/005; B43K 7/00;  
B43K 7/10; B43K 7/12; B43K 8/04  
See application file for complete search history.

(56) **References Cited**

**U.S. PATENT DOCUMENTS**

D150,320 S *	7/1948	Starr	.....	D19/168
D159,095 S *	6/1950	Peterson et al.	.....	D19/168
D169,446 S *	4/1953	Kahn	.....	D19/168
D179,053 S *	10/1956	Baker	.....	D19/164
D182,162 S *	2/1958	Carreiro	.....	D19/167
2,857,882 A *	10/1958	Forster	.....	B43K 24/08 401/110
D200,511 S *	3/1965	Fehling et al.	.....	D19/175

D200,512 S *	3/1965	Fehling et al.	.....	D19/175
D215,042 S *	8/1969	Spirito	.....	D19/175
D319,663 S *	9/1991	Katami	.....	401/209
D337,350 S *	7/1993	Wong	.....	D19/170
D409,657 S *	5/1999	Veillon	.....	D19/164
D418,872 S *	1/2000	Leibeck	.....	D19/167
D461,204 S *	8/2002	Klefbom	.....	D19/167
D466,934 S *	12/2002	Schung	.....	D19/176
D500,790 S *	1/2005	Jaakkola	.....	D14/411
D502,737 S *	3/2005	Bodino	.....	D19/164
D509,536 S *	9/2005	Nishida	.....	D19/167
D576,677 S *	9/2008	Jeon	.....	D19/167
D660,911 S *	5/2012	Uchiyama	.....	D19/175
D693,331 S *	11/2013	Kim	.....	D14/218

\* cited by examiner

*Primary Examiner* — Elizabeth Albert

(74) *Attorney, Agent, or Firm* — Jura C. Zibas; Robert P. Feinland; Wilson Elser Moskowitz Edelman & Dicker LLP

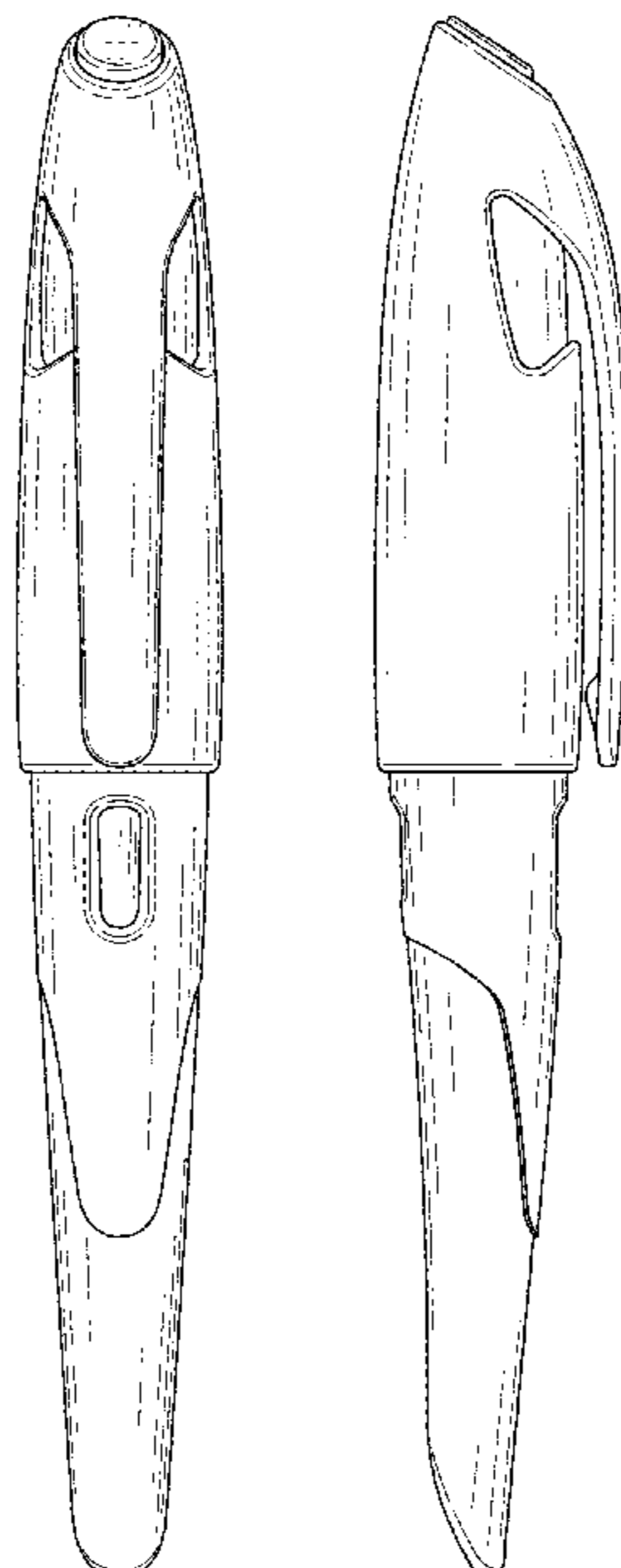
(57) **CLAIM**

The ornamental design for a fountain pen, as shown and described.

**DESCRIPTION**

FIG. 1 is a perspective view of the new design for a fountain pen;  
FIG. 2 is a side elevation view thereof;  
FIG. 3 is another side elevation view thereof oriented at a position 180° from the view depicted in FIG. 2;  
FIG. 4 is a side elevation view thereof oriented at a position 90° from the view depicted in FIG. 3;  
FIG. 5 is a side elevation view thereof oriented at a position 180° from the view depicted in FIG. 4;  
FIG. 6 is a top plan view thereof; and,  
FIG. 7 is a bottom plan view thereof.

**1 Claim, 3 Drawing Sheets**



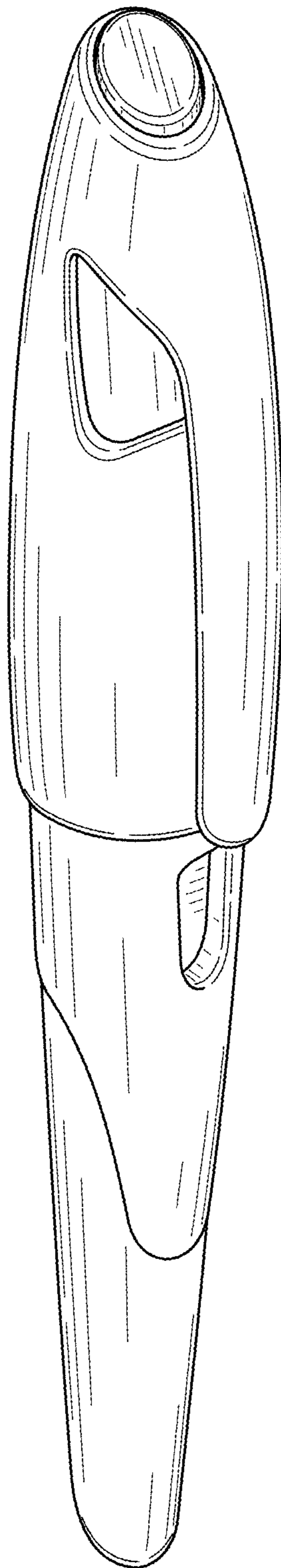


FIG. 1

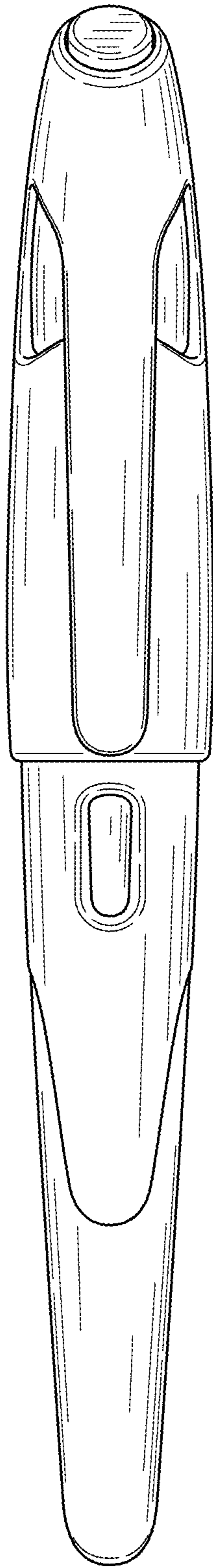


FIG. 2

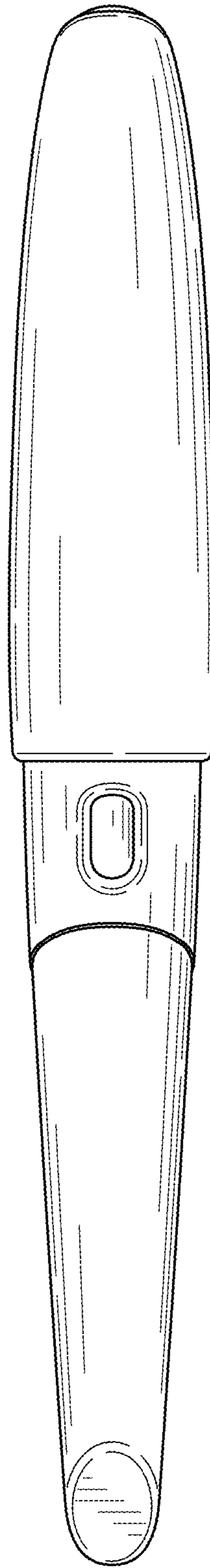


FIG. 3

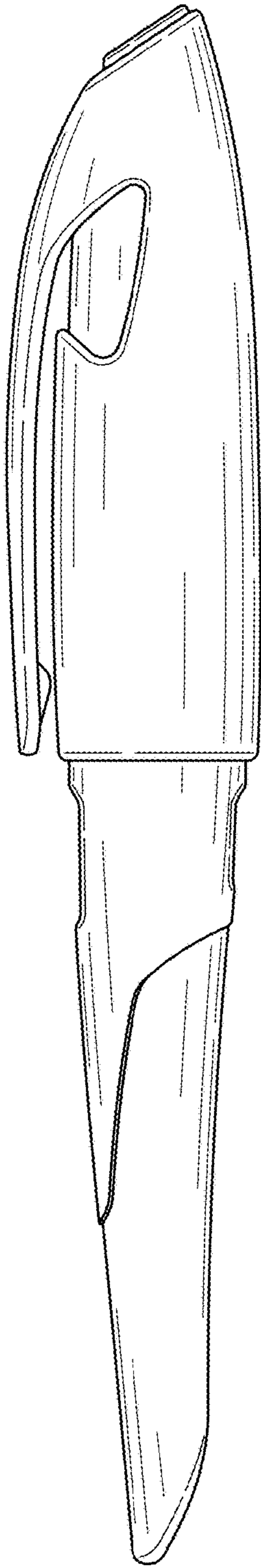


FIG. 4

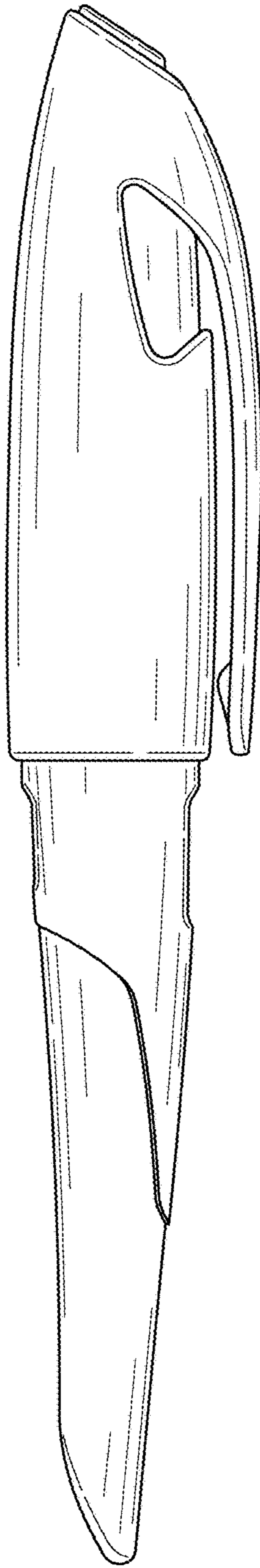


FIG. 5

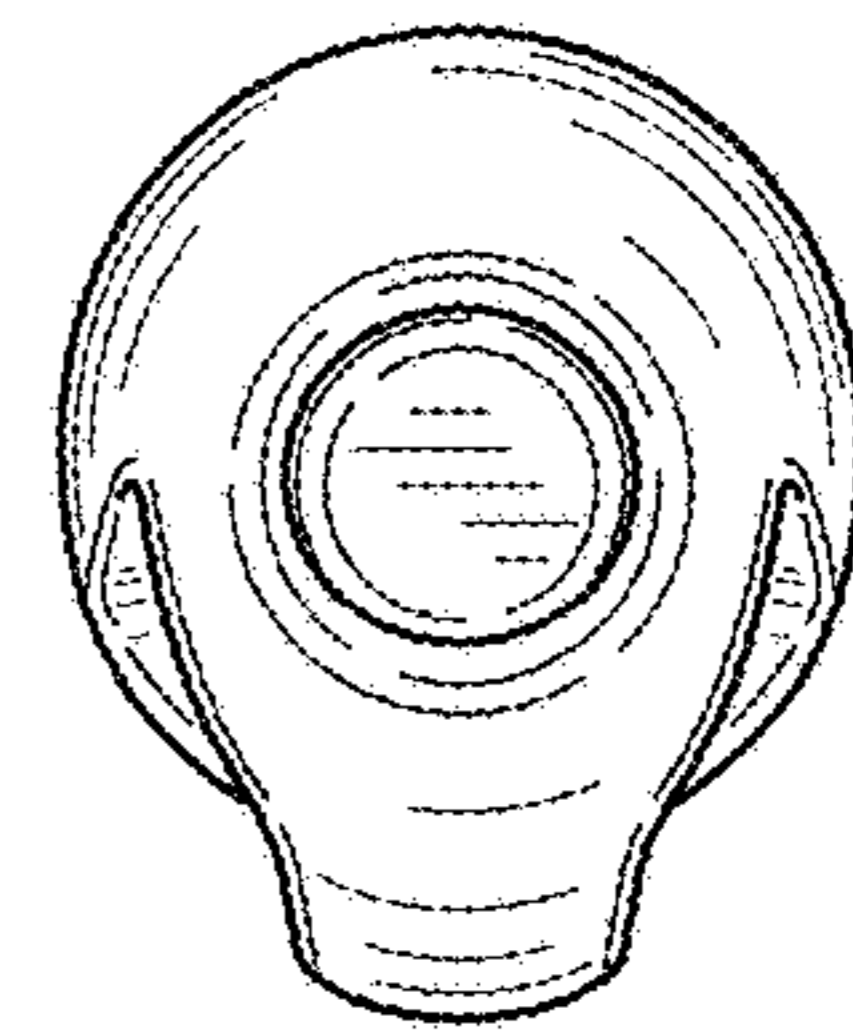


FIG. 6

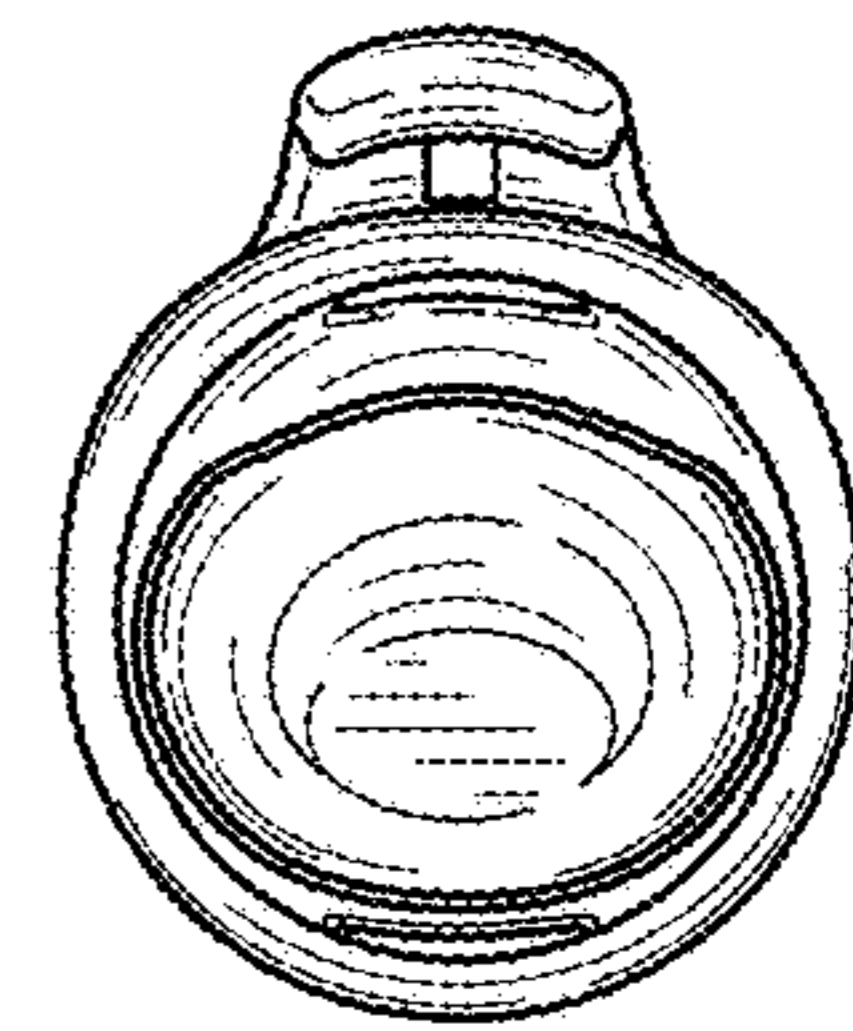


FIG. 7