



US00D776759S

(12) **United States Design Patent**
Costas

(10) **Patent No.:** **US D776,759 S**
(45) **Date of Patent:** **** Jan. 17, 2017**

(54) **NOTE HOLDER WITH CLIP**

(71) Applicant: **Eric Costas**, Cremorne (AU)

(72) Inventor: **Eric Costas**, Cremorne (AU)

(**) Term: **14 Years**

(21) Appl. No.: **29/512,574**

(22) Filed: **Dec. 19, 2014**

(30) **Foreign Application Priority Data**

Oct. 31, 2012 (AU) 15446/2012

(51) **LOC (10) Cl.** **19-02**

(52) **U.S. Cl.**
USPC **D19/86**

(58) **Field of Classification Search**
USPC D19/86, 87, 88, 89, 90, 91, 92; D8/349,
D8/354, 394, 395
CPC B42D 5/005; B42D 5/006; B42D 5/007;
B42D 5/008; B42F 9/001; B42F
9/002; B42F 9/004; B43L 3/005; B43L
5/02; F16M 13/02
See application file for complete search history.

(56) **References Cited**

U.S. PATENT DOCUMENTS

D26,461 S * 12/1896 Sassenhoff D20/43
783,906 A * 2/1905 Spielman B42F 9/00
211/96
819,504 A * 5/1906 Benedict B42F 1/08
24/67.9
1,211,833 A * 1/1917 Ertner A47B 21/045
248/442.2
1,602,341 A * 10/1926 Day B42F 15/066
211/45
1,730,241 A * 10/1929 Porter B42F 19/00
40/652

1,973,989 A * 9/1934 Lukacs B42F 21/08
24/328
2,468,355 A * 4/1949 Ambler B42F 13/02
24/67 R
D159,576 S * 8/1950 Bamford 211/51
2,779,114 A * 1/1957 Orthwine G09F 1/10
273/150
2,779,650 A * 1/1957 Lamothe A47B 19/04
312/246
3,604,727 A * 9/1971 Wilkin B42D 9/00
116/237
D316,275 S * 4/1991 Davis D19/86
5,975,478 A * 11/1999 Marino A47B 21/045
211/45
D445,457 S * 7/2001 Brumby D19/90
(Continued)

Primary Examiner — Elizabeth Albert
(74) *Attorney, Agent, or Firm* — Ballard Spahr LLP

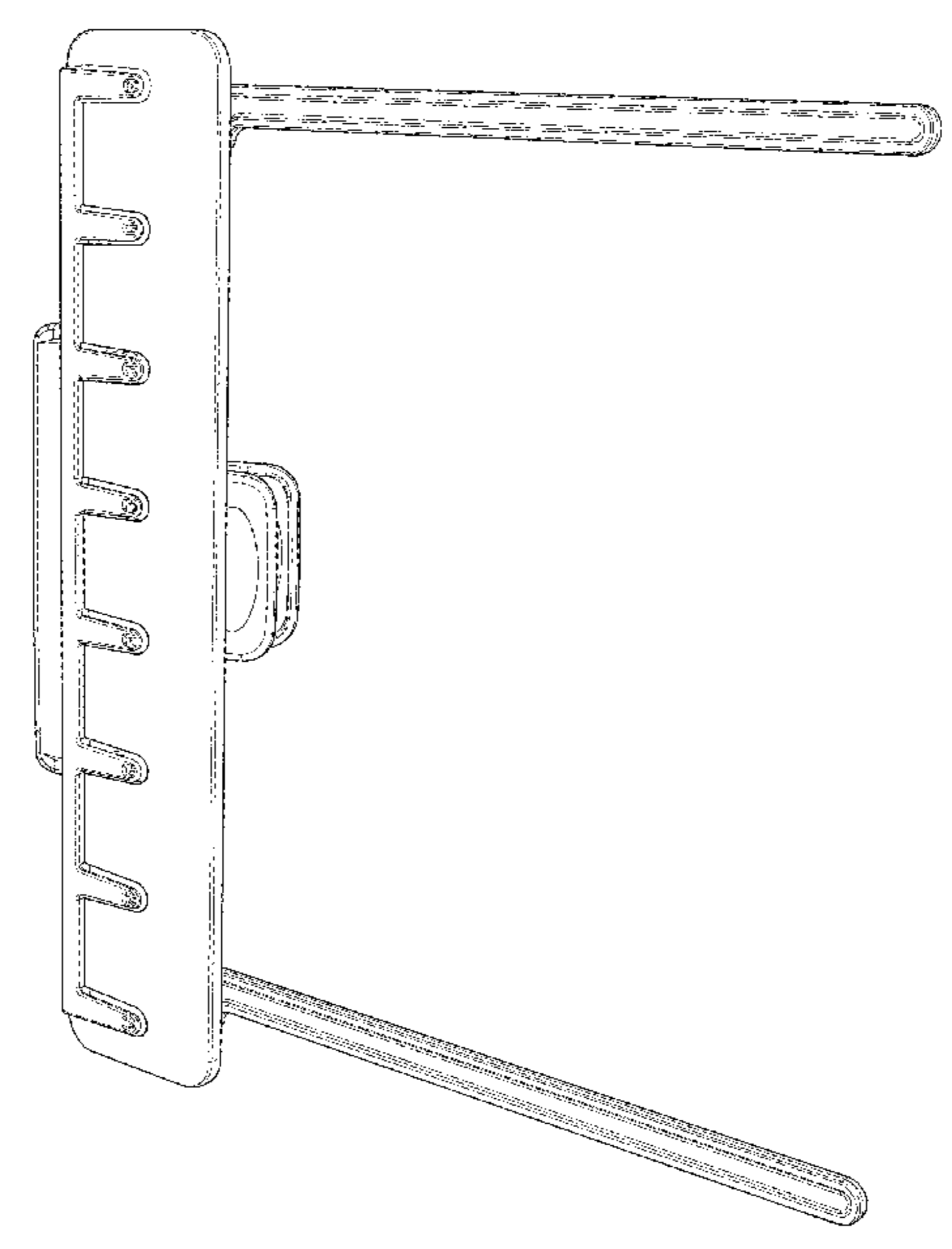
(57) **CLAIM**

The ornamental design for a note holder with clip, as shown and described.

DESCRIPTION

FIG. 1 is a front perspective view of a note holder with clip of the present invention;
FIG. 2 is a rear perspective view of the note holder of FIG. 1;
FIG. 3 is a front elevational view of the note holder of FIG. 1;
FIG. 4 is a top view of the note holder of FIG. 1;
FIG. 5 is a rear elevational view of the note holder of FIG. 1;
FIG. 6 is a bottom view of the note holder of FIG. 1;
FIG. 7 is a left side elevational view of the note holder of FIG. 1; and,
FIG. 8 is a right side elevational view of the note holder of FIG. 1.

1 Claim, 8 Drawing Sheets



(56)

References Cited

U.S. PATENT DOCUMENTS

D451,134 S *	11/2001	Fonfeder	D19/27
D468,356 S *	1/2003	Snell	D19/65
D498,497 S *	11/2004	Lo	D19/65
D520,353 S *	5/2006	Mariano	D8/395
D550,550 S *	9/2007	Lee	D8/395
D645,515 S *	9/2011	Williams, Sr.	D19/86
8,510,916 B2 *	8/2013	Kinvi	G09F 17/00 24/3.12
2003/0111581 A1 *	6/2003	Drewery	A47B 21/045 248/447.1
2013/0200228 A1 *	8/2013	Costas	G06F 1/1611 248/205.1

* cited by examiner

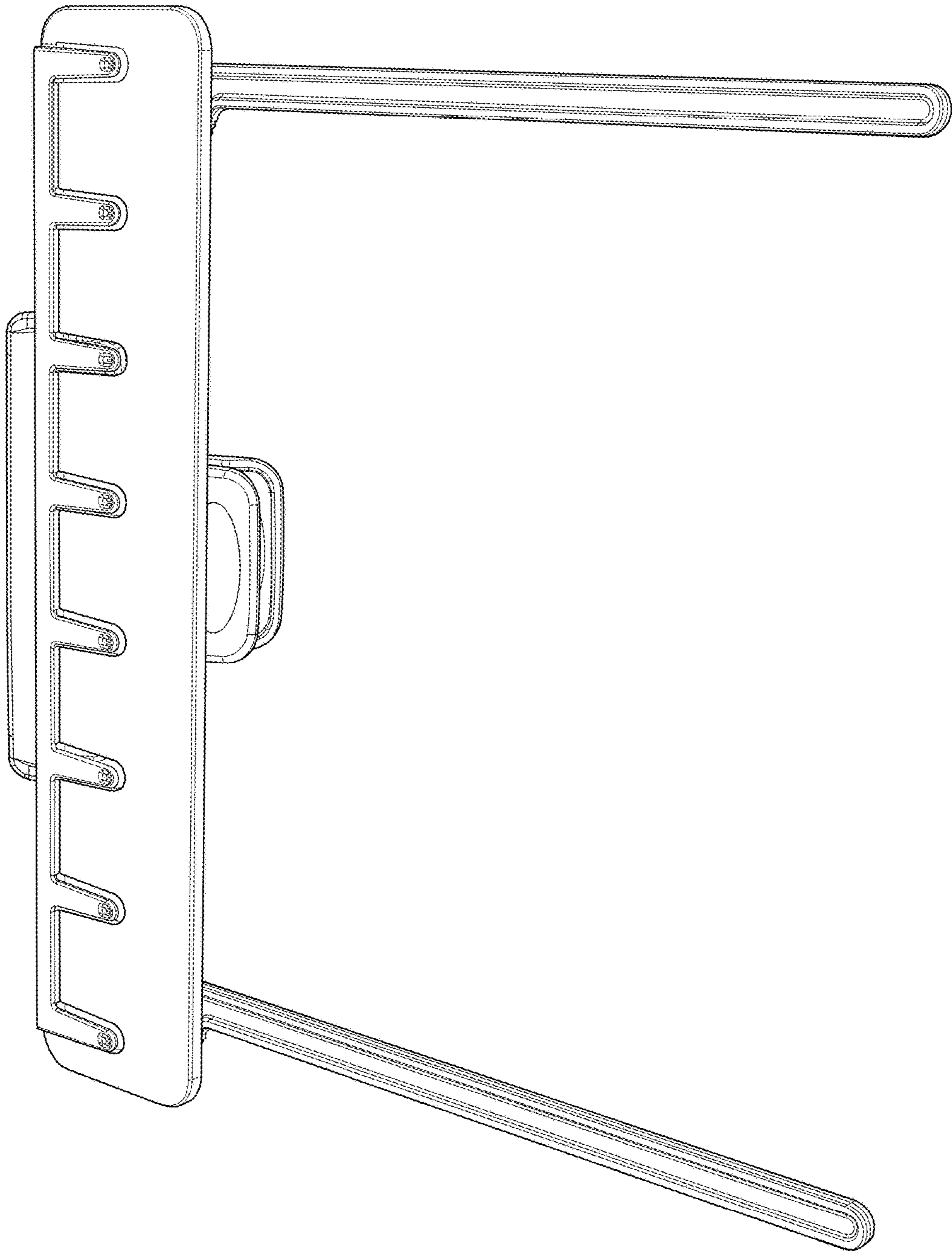


FIG. 1

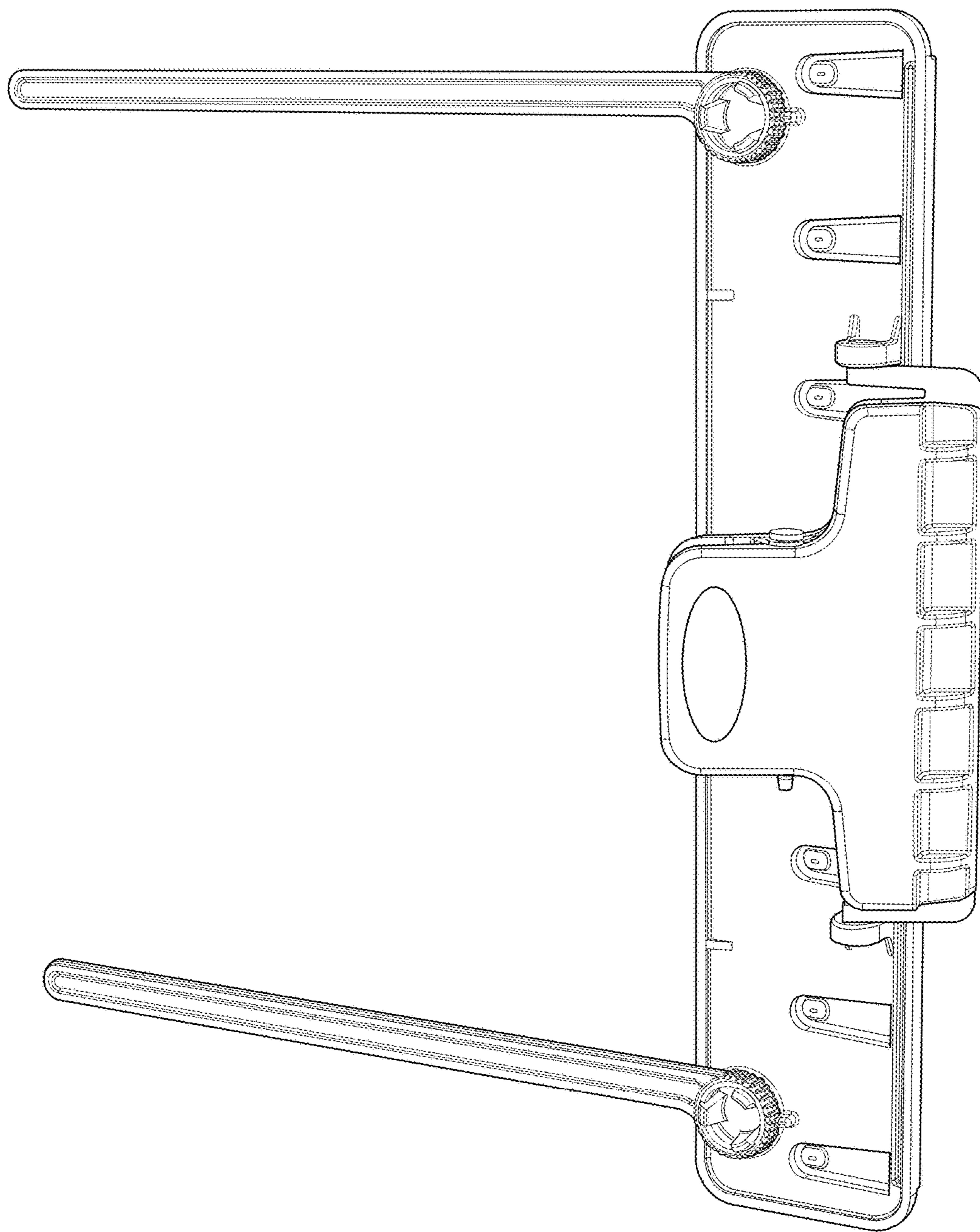


FIG. 2

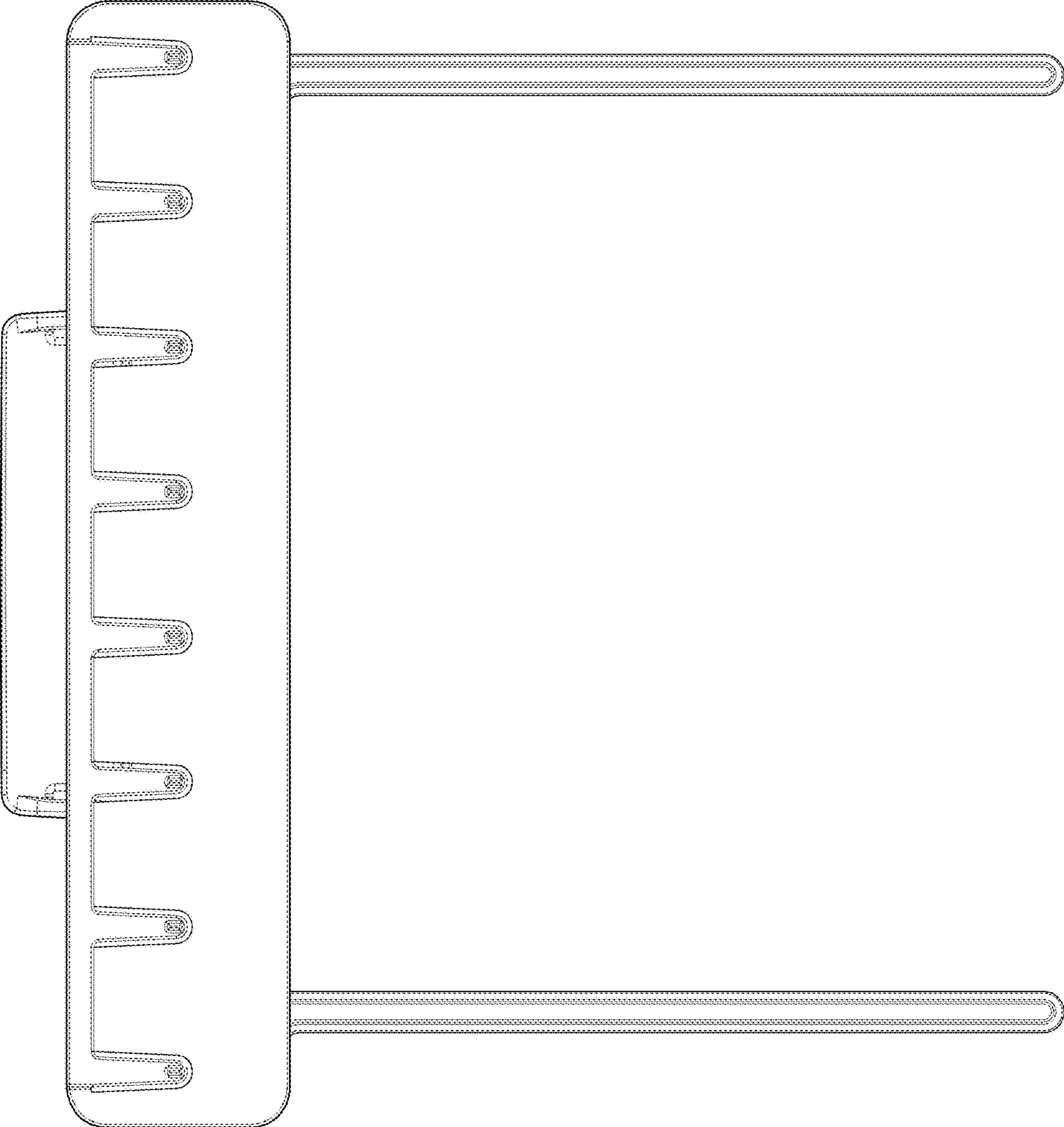


FIG. 3

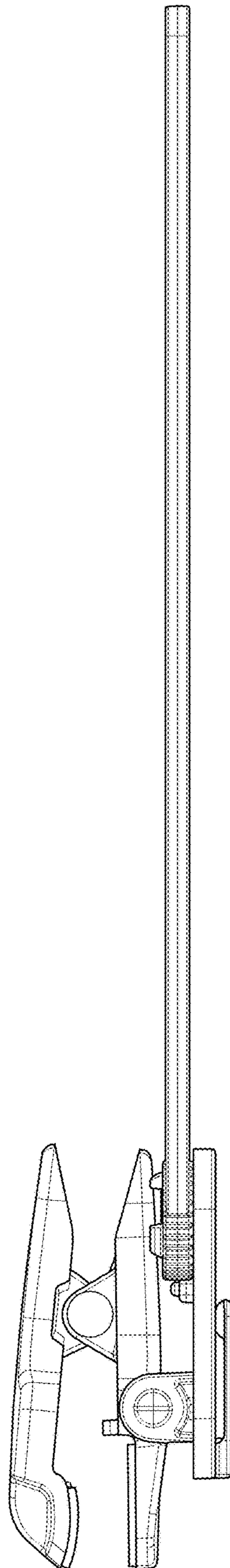


FIG. 4

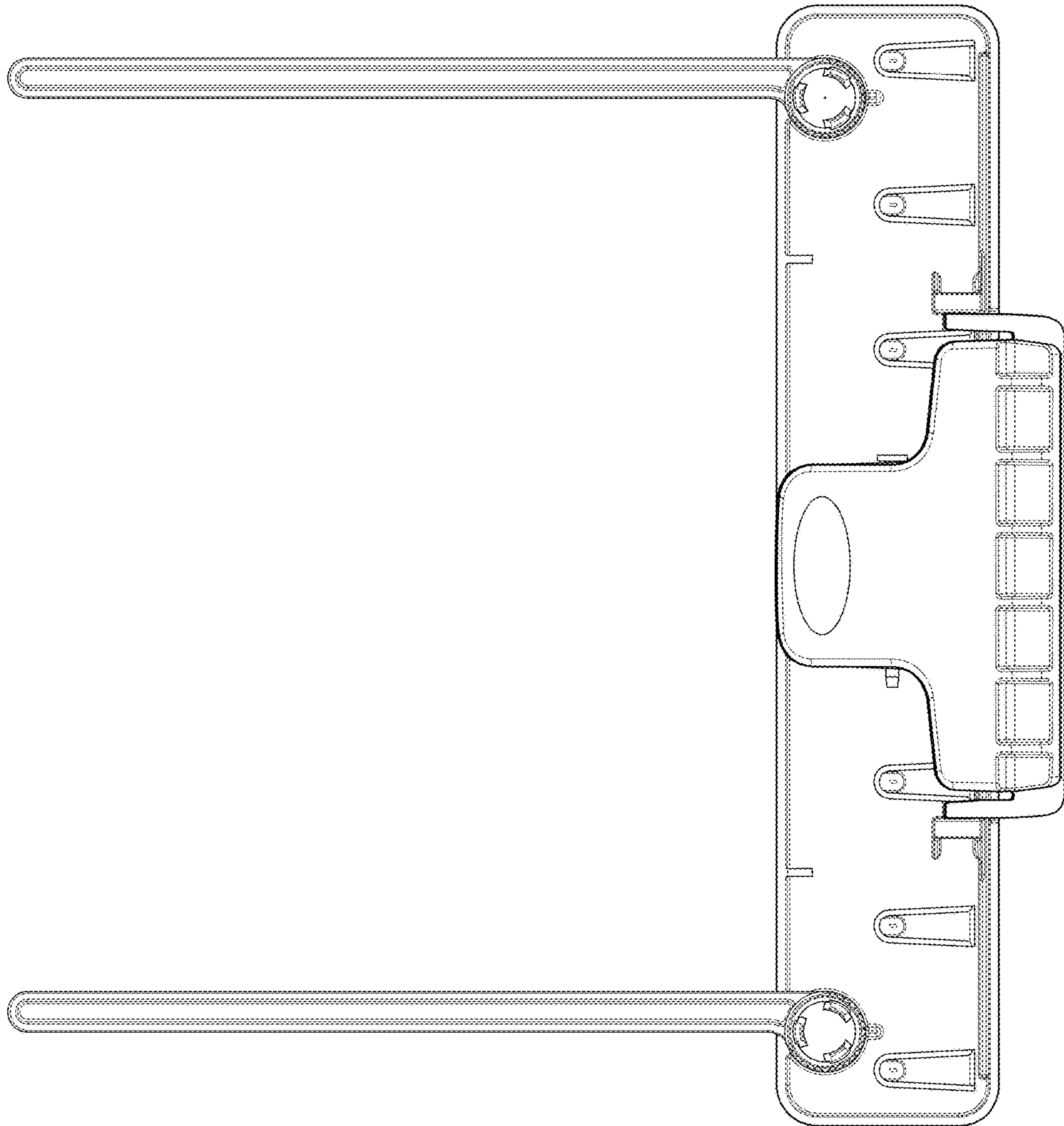


FIG. 5

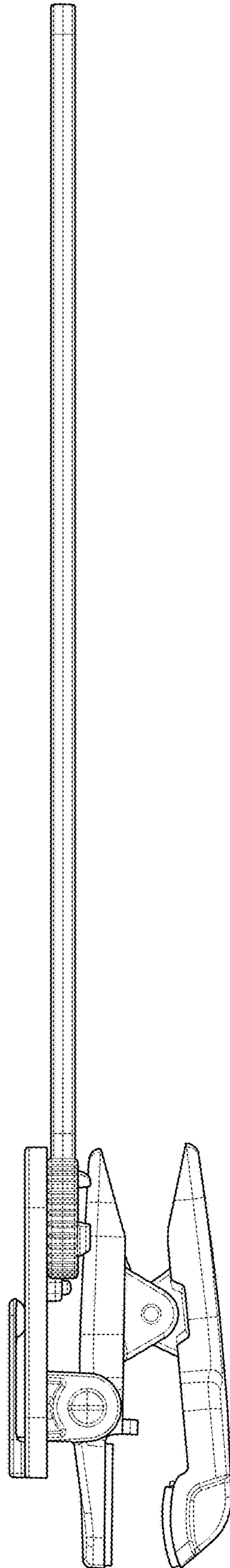


FIG. 6

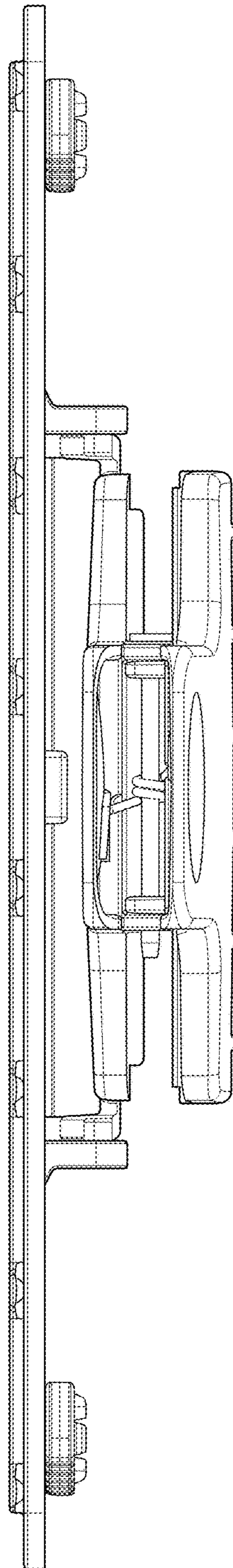


FIG. 7

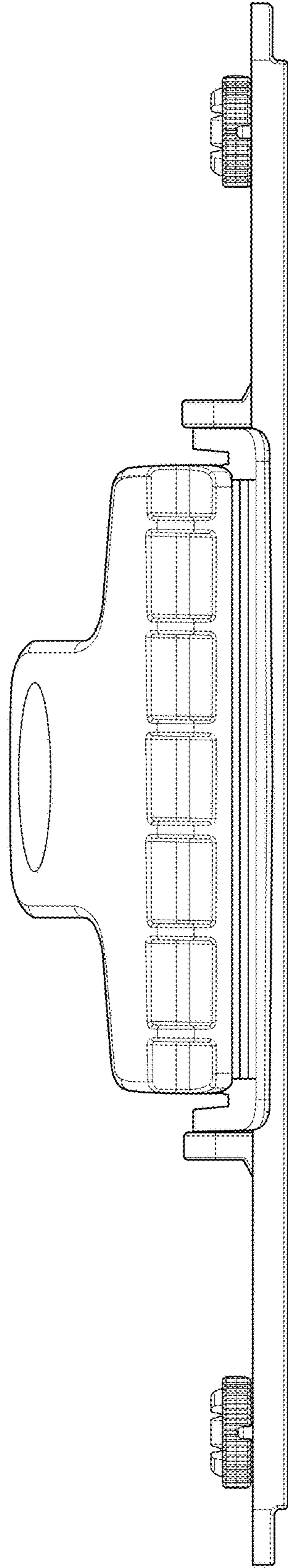


FIG. 8