



US00D776758S

(12) **United States Design Patent**
Green et al.

(10) **Patent No.:** **US D776,758 S**
(45) **Date of Patent:** **** Jan. 17, 2017**

(54) **MARKER HOLDER AND ERASER**

(71) Applicant: **Chameleon Corporation, Inc.**,
Franklin, TN (US)

(72) Inventors: **Matthew D. Green**, Franklin, TN (US);
Alfred Darrel Shanbour, II,
Brentwood, TN (US)

(73) Assignee: **THE CHAMELEON**
CORPORATION, INC., Franklin, TN
(US)

(**) Term: **14 Years**

(21) Appl. No.: **29/512,090**

(22) Filed: **Dec. 16, 2014**

(51) **LOC (10) Cl.** **19-02**

(52) **U.S. Cl.**
USPC **D19/77**

(58) **Field of Classification Search**
USPC D3/206, 266; D6/678.4, 705.6, 705.7;
D7/600.1; D19/75-92
CPC A47B 63/00; A47F 7/14; A47F 7/145;
B42F 7/00; B42F 7/02; B42F 7/10; B42F
17/02; B42F 17/08; B43K 23/001; B43K
23/002

See application file for complete search history.

(56) **References Cited**

U.S. PATENT DOCUMENTS

- 1,513,611 A * 10/1924 Laird B43K 23/001
206/443
- 2,862,626 A 12/1958 Clare
- 3,106,994 A * 10/1963 Scott F16B 5/0291
403/231
- D196,884 S * 11/1963 Furlong, Jr. D19/83
- D256,292 S * 8/1980 Cox 224/219
- D261,888 S * 11/1981 Kronfeld D14/164
- D298,892 S * 12/1988 Chinchar D19/86
- 4,875,591 A 10/1989 Mikesell

- D305,777 S * 1/1990 Lee D19/135
- D309,983 S * 8/1990 Nakata 206/371
- D320,229 S * 9/1991 Frazier D19/100
- 5,232,103 A 8/1993 Koenig et al.
- 5,337,906 A 8/1994 Digiulio
- D351,857 S * 10/1994 Tam D19/77

(Continued)

OTHER PUBLICATIONS

Erasers in producing; 6 page document submitted by applicant on
Aug. 25, 2016; document dated Nov. 18, 2013.*

(Continued)

Primary Examiner — Elizabeth Albert

(74) *Attorney, Agent, or Firm* — Michael L. Leetzow,
P.A.

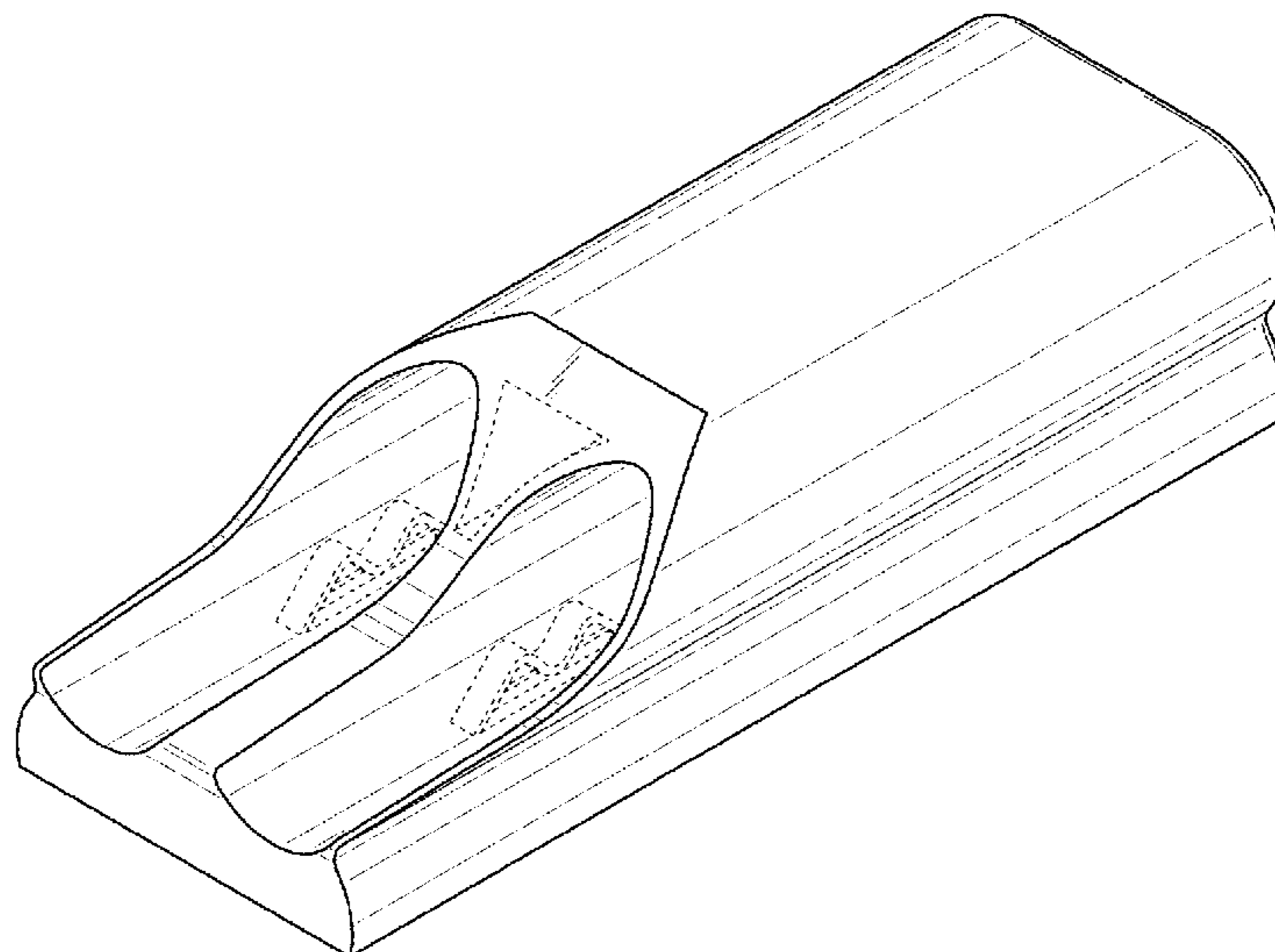
(57) **CLAIM**

The ornamental design for a marker holder and eraser, as
shown and described.

DESCRIPTION

FIG. 1 is a left side perspective view of a marker holder and eraser showing our new design;
FIG. 2 is a top view of the marker holder and eraser shown in FIG. 1;
FIG. 3 is a bottom view of the marker holder and eraser shown in FIG. 1;
FIG. 4 is a right side view of the marker holder and eraser shown in FIG. 1, the left side view being a mirror image thereof;
FIG. 5 is a front side view of the marker holder and eraser shown in FIG. 1; and,
FIG. 6 is a back side view of the marker holder and eraser shown in FIG. 1.
The broken lines showing portions of the design in FIGS. 1, 2, and 5 are included for the purpose of showing features that form no part of the claimed design.

1 Claim, 5 Drawing Sheets



(56)

References Cited

U.S. PATENT DOCUMENTS

5,544,764 A 8/1996 Cima
D398,644 S * 9/1998 Krapf D19/77
5,947,394 A 9/1999 Thorp
D448,553 S * 10/2001 Williams D3/206
D480,040 S * 9/2003 Beasley D12/300
D485,980 S * 2/2004 Moses D3/206
6,793,430 B1 9/2004 Liu
7,086,559 B2 8/2006 Poole, Jr.
7,309,181 B2 12/2007 Hawkins
D663,776 S 7/2012 Lira-Nunez et al.
D669,937 S 10/2012 Lira-Nunez et al.
2012/0261281 A1 * 10/2012 Morgan A47G 7/06
206/216

OTHER PUBLICATIONS

Erasers? Memorandum from Matt Green to Heleomar Zanga; 3 page document submitted by applicant on Aug. 25, 2016; document dated May 23, 2013.*

* cited by examiner

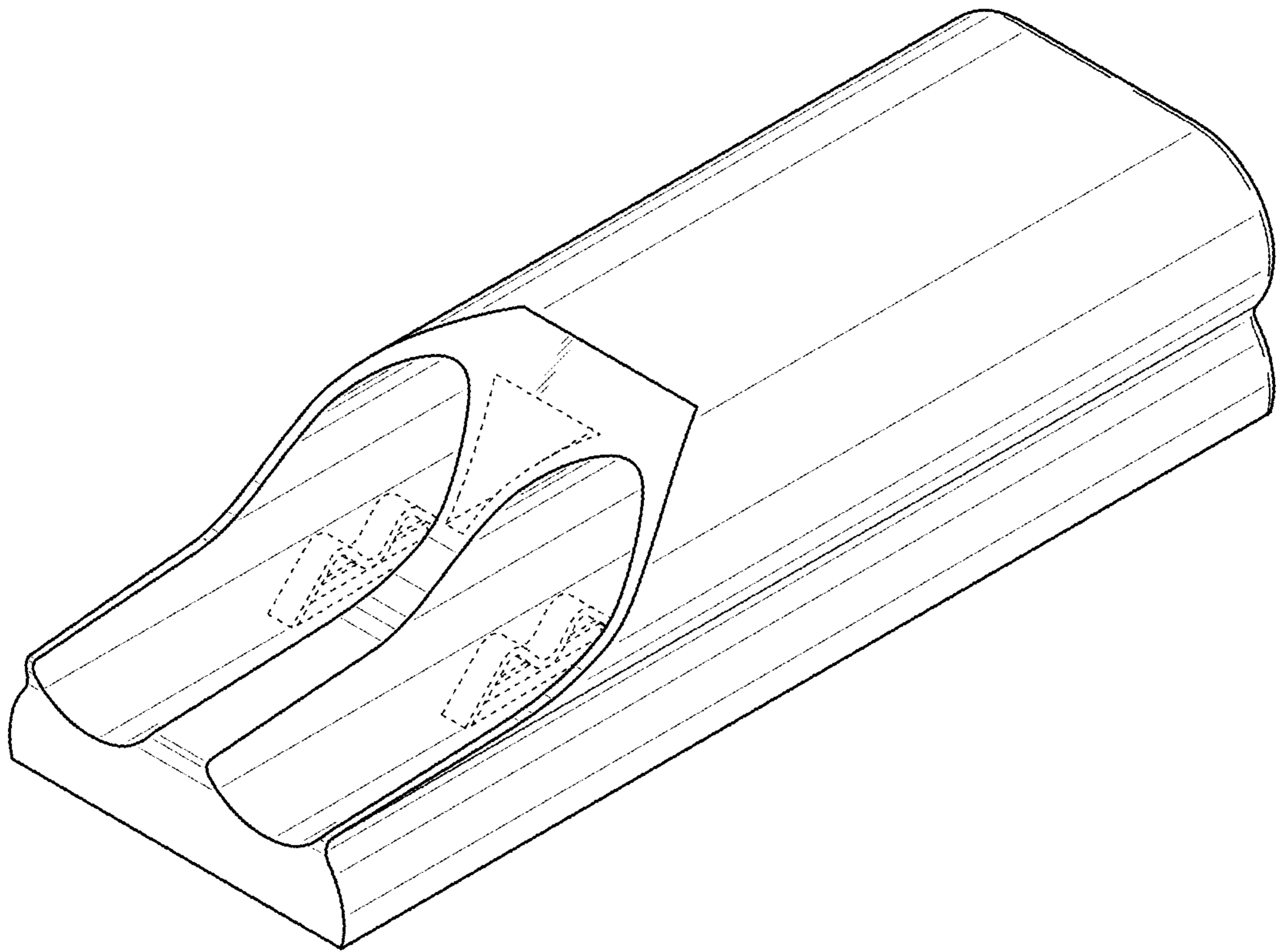


Fig. 1

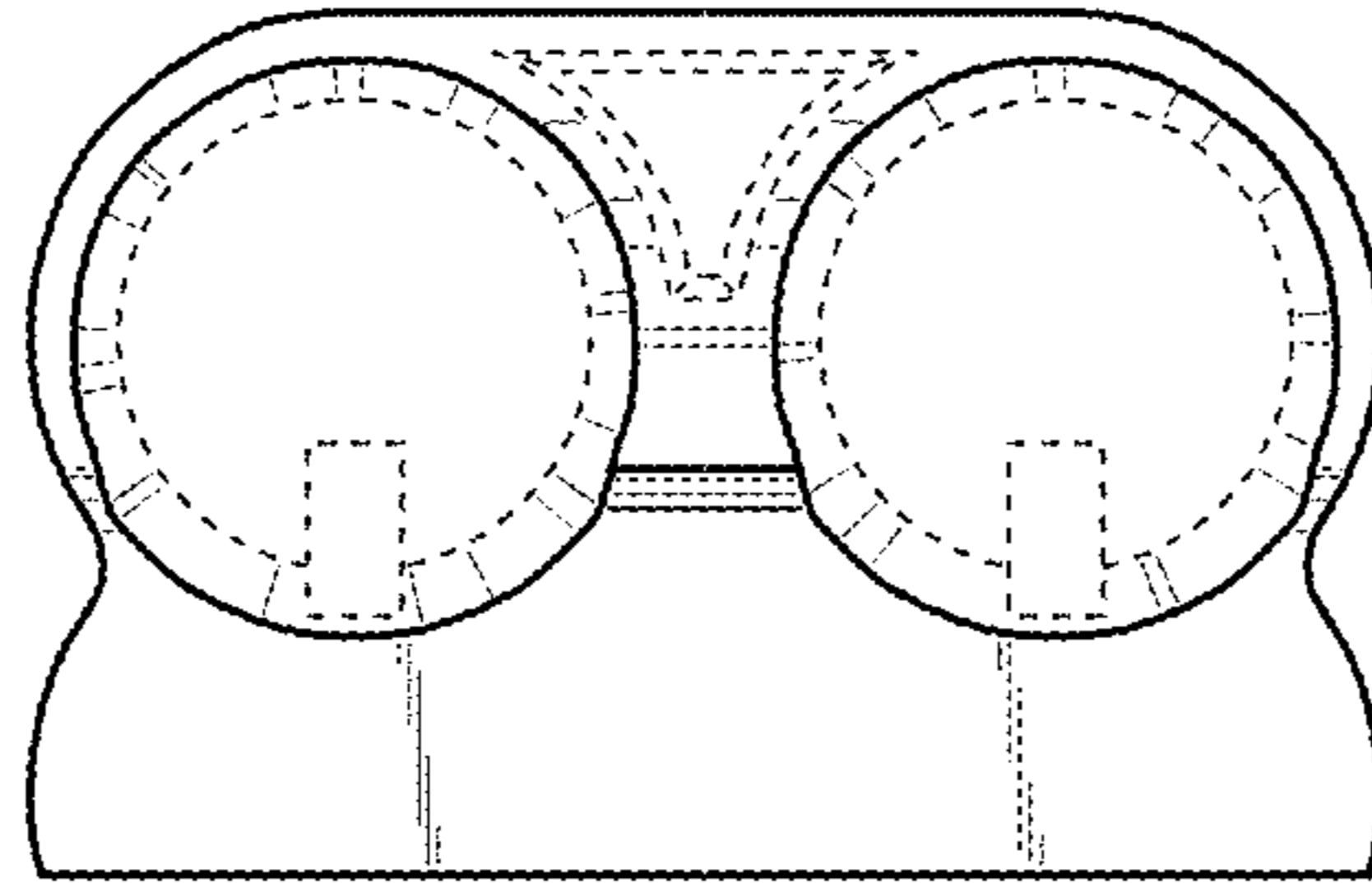


Fig. 2

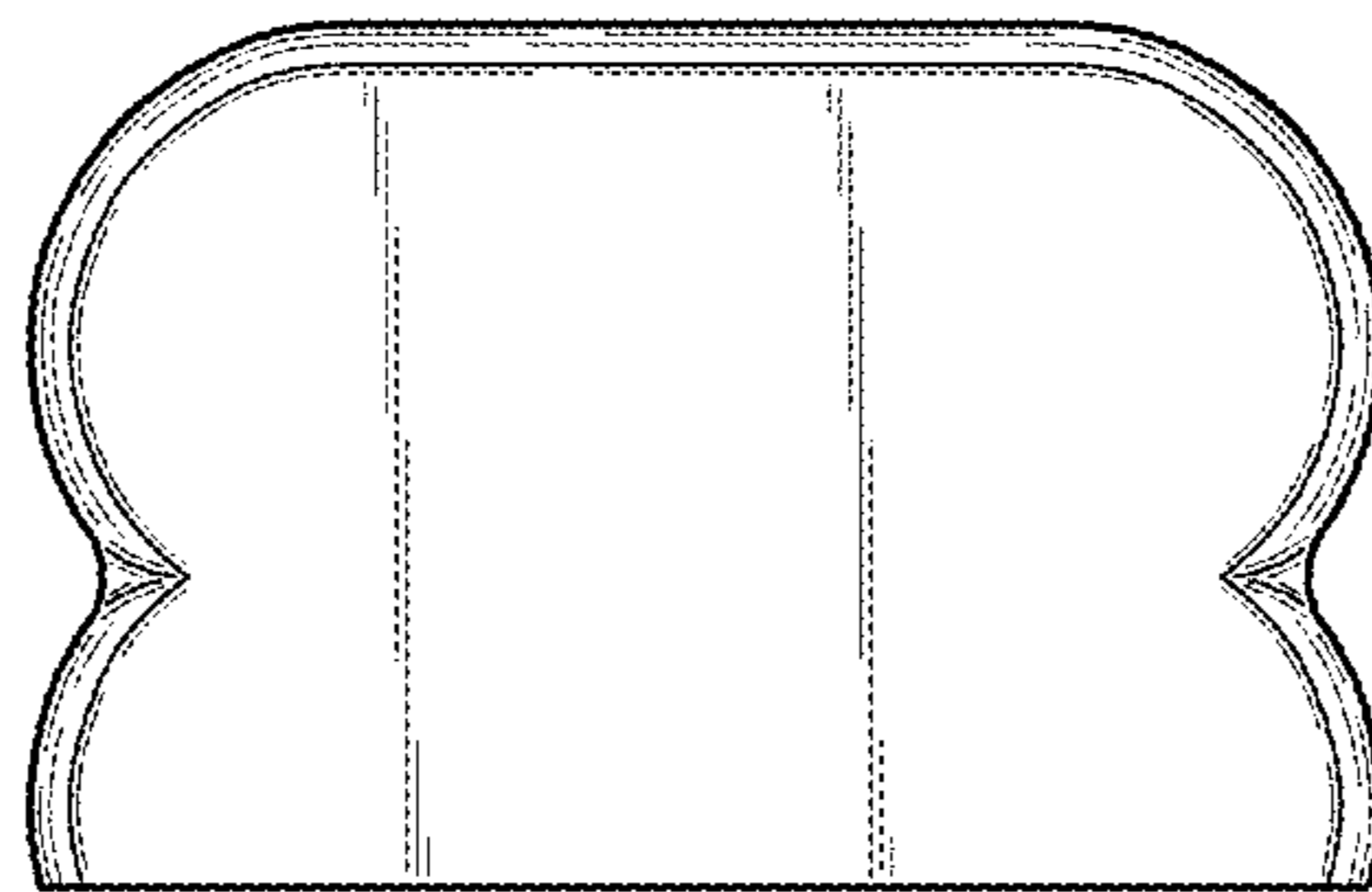


Fig. 3

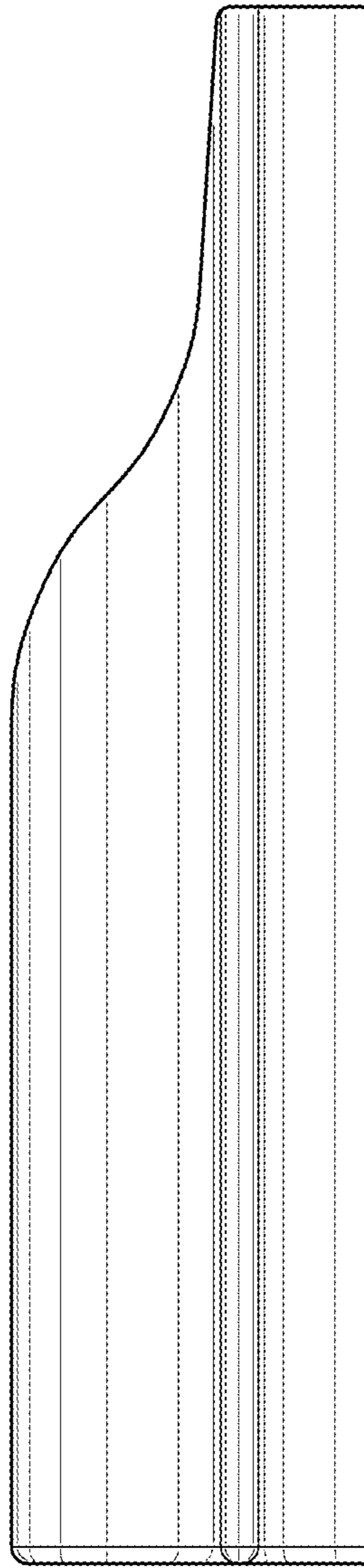


Fig. 4

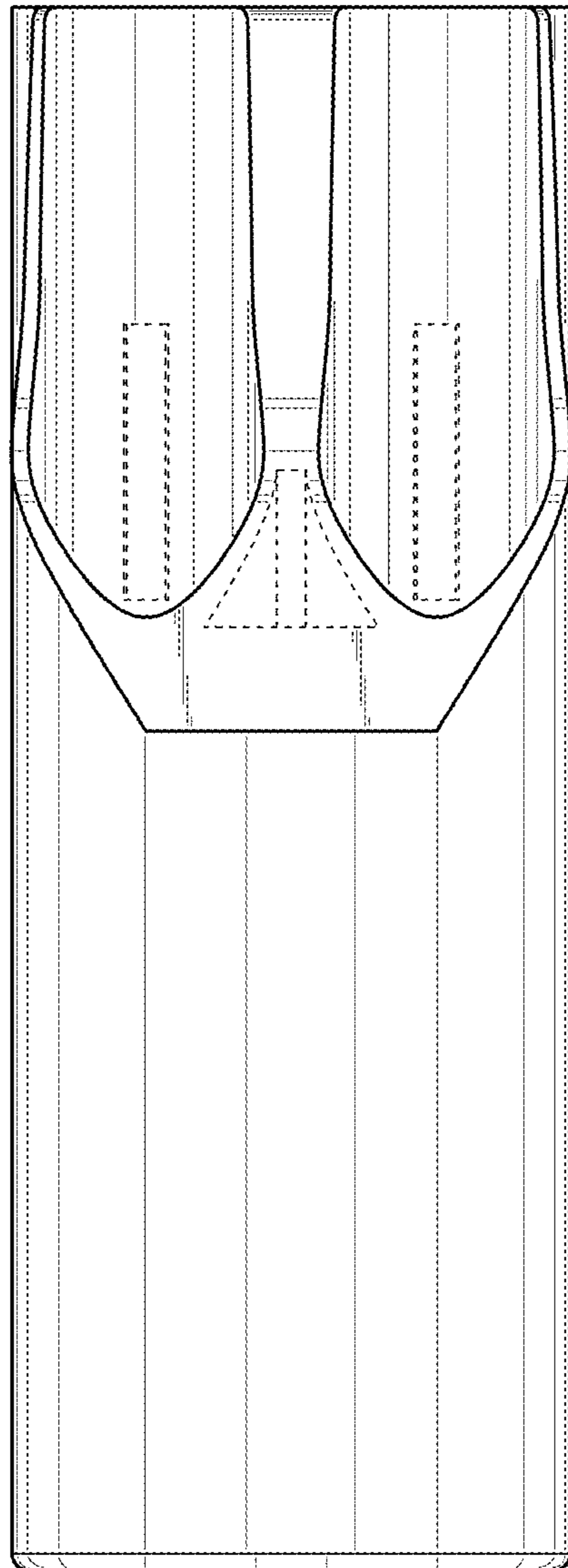


Fig. 5

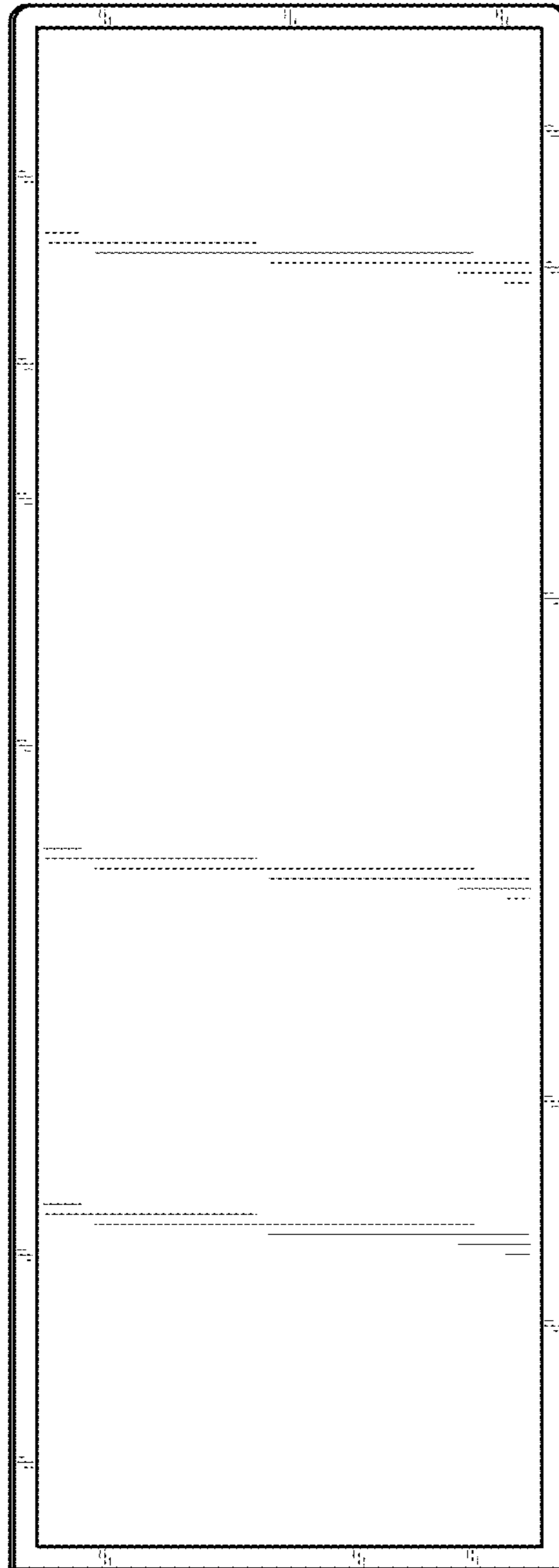


Fig. 6