



US00D776754S

(12) **United States Design Patent** (10) **Patent No.:** **US D776,754 S**
Bragg (45) **Date of Patent:** **** Jan. 17, 2017**

(54) **STRINGED INSTRUMENT**
(71) Applicant: **Madtown Music LLC**, Buckhead, GA (US)
(72) Inventor: **Anthony Bragg**, Buckhead, GA (US)
(73) Assignee: **Madtown Music, LLC**, Buckhead, GA (US)

(**) Term: **15 Years**

(21) Appl. No.: **29/551,209**

(22) Filed: **Jan. 11, 2016**

(51) **LOC (10) Cl.** **17-03**

(52) **U.S. Cl.**
USPC **D17/20; D17/14**

(58) **Field of Classification Search**
USPC D17/20, 14; D21/405
CPC B65D 17/00; B65D 7/00; B65D 73/00;
G10D 1/02; G10D 1/08; G10D
1/085; G10D 3/00; G10D 3/18; G10H
1/32

See application file for complete search history.

(56) **References Cited**

U.S. PATENT DOCUMENTS

D270,842 S *	10/1983	Peavey	D17/14
D300,154 S *	3/1989	Chen	D17/14
D320,615 S *	10/1991	Lendrum	D17/14
D340,737 S *	10/1993	Sandberg	84/291
D362,265 S *	9/1995	DeCola	D17/20
D410,943 S *	6/1999	Alvarado	D17/20
6,046,392 A *	4/2000	Saul	G10D 3/06 84/291
D457,911 S *	5/2002	Driskill, Jr.	D17/20
D463,481 S *	9/2002	Nordling	D17/20
D477,013 S *	7/2003	Rico	D17/14
D516,607 S *	3/2006	Dawson	D17/20

D517,114 S *	3/2006	Knaggs	D17/14
D526,000 S *	8/2006	Stewart	D17/14
D550,274 S *	9/2007	Tentindo	D17/1
D565,093 S *	3/2008	Chan	D17/14
D567,280 S *	4/2008	Garnier	D17/14
D571,849 S *	6/2008	Li	D17/18
D594,053 S *	6/2009	Kirkland	D17/14
D594,502 S *	6/2009	Csakvary	D17/14
D606,581 S *	12/2009	Ierymenko	D17/14
D606,594 S *	12/2009	Guinchard	D14/388

(Continued)

Primary Examiner — Sheryl Lane

Assistant Examiner — Samantha Wood

(74) *Attorney, Agent, or Firm* — Waller Lansden Dortch & Davis LLP

(57) **CLAIM**

The ornamental design for a stringed instrument, as shown and described.

DESCRIPTION

FIG. 1 is a front perspective view of a stringed instrument of the present invention;

FIG. 2 is a back isometric view of a stringed instrument of FIG. 1;

FIG. 3 is a top plan view of a stringed instrument of FIG. 1;

FIG. 4 is a bottom plan view of a stringed instrument of FIG. 1;

FIG. 5 is a right side elevation view of a stringed instrument of FIG. 1;

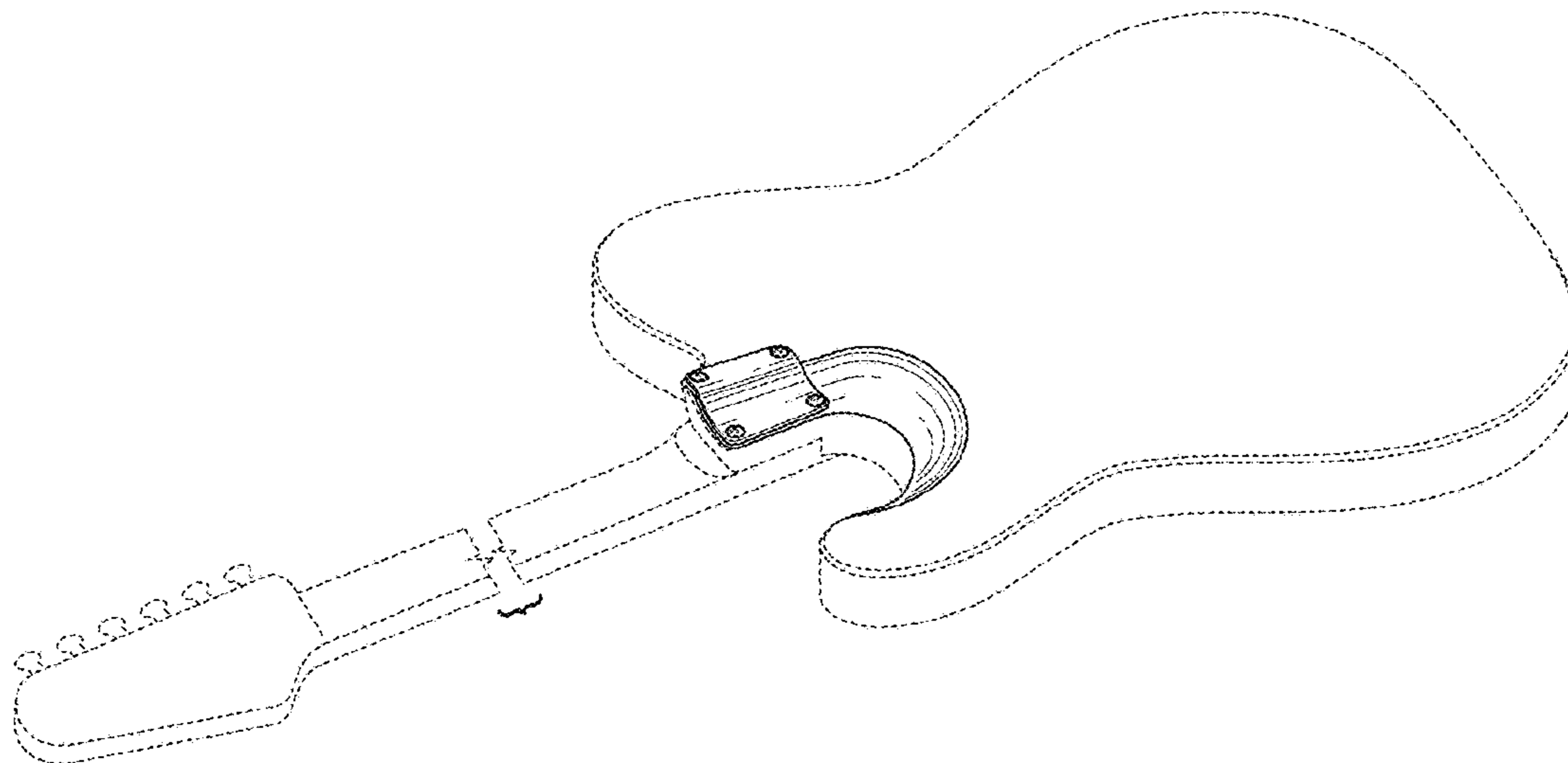
FIG. 6 is a left side elevation view of a stringed instrument of FIG. 1;

FIG. 7 is a front elevation view of a stringed instrument of FIG. 1; and,

FIG. 8 is a back elevation view of a stringed instrument of FIG. 1.

The portions drawn in broken lines depict environmental subject matter only and form no part of the claimed design.

1 Claim, 5 Drawing Sheets



(56)

References Cited

U.S. PATENT DOCUMENTS

D610,605 S * 2/2010 Shannon D17/14
7,671,264 B1 * 3/2010 Heda G10D 3/00
4/327
D623,181 S * 9/2010 Mattie D14/300
D623,219 S * 9/2010 Mosconi D17/14
D625,353 S * 10/2010 Licea D17/14
D625,753 S * 10/2010 Hoffman D17/14
D629,836 S * 12/2010 Hoffman D17/14
D637,190 S * 5/2011 McGuire, II D14/400
D652,069 S * 1/2012 Tsai D17/14
D656,178 S * 3/2012 Holm D17/19
D710,436 S * 8/2014 Claypool D17/14
D723,098 S * 2/2015 Roebke D17/14
D733,214 S * 6/2015 McCarthy D17/20
D740,352 S * 10/2015 Crelin D17/14
D753,237 S * 4/2016 Jackson D14/400

* cited by examiner

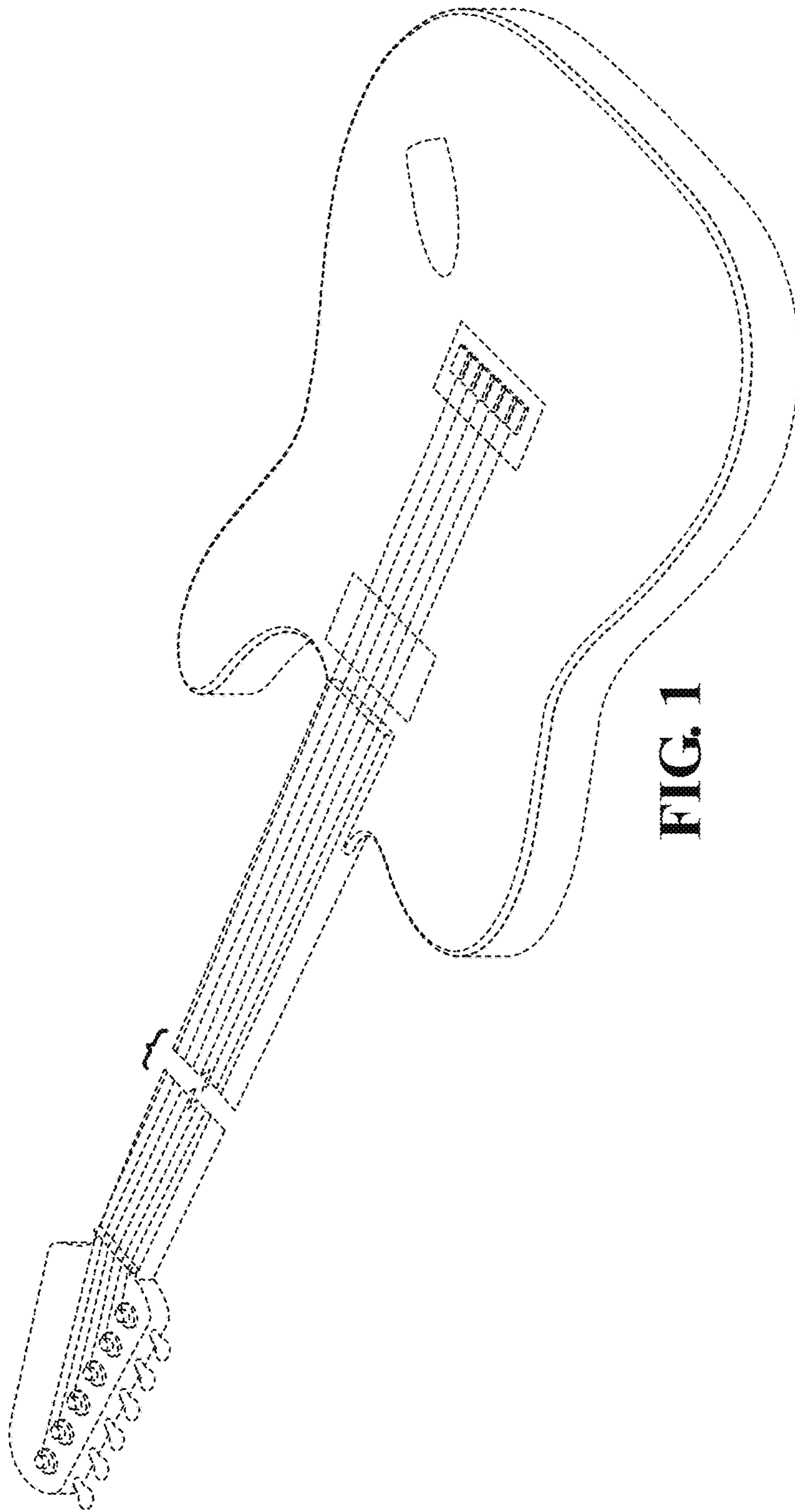


FIG. 1



FIG. 3

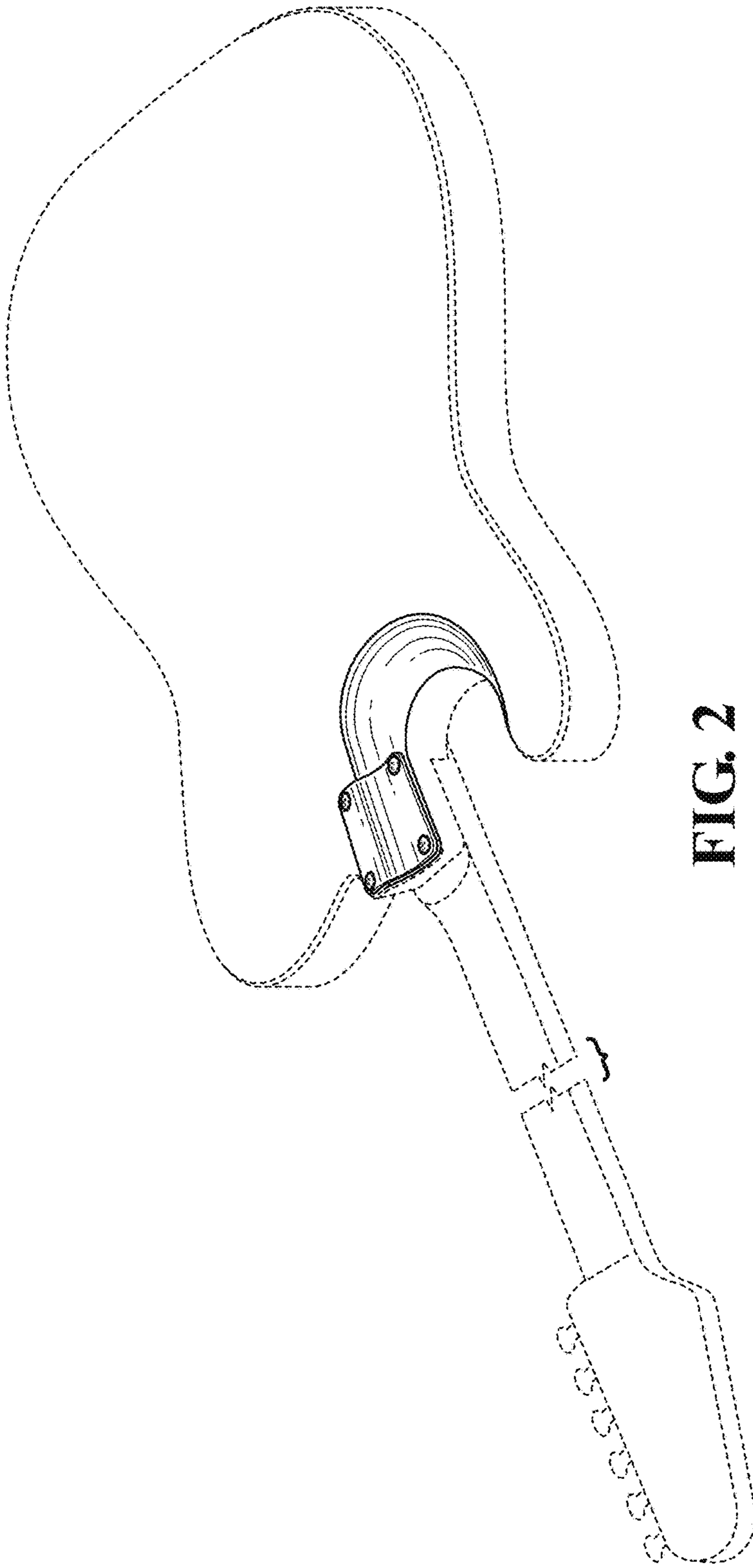


FIG. 2

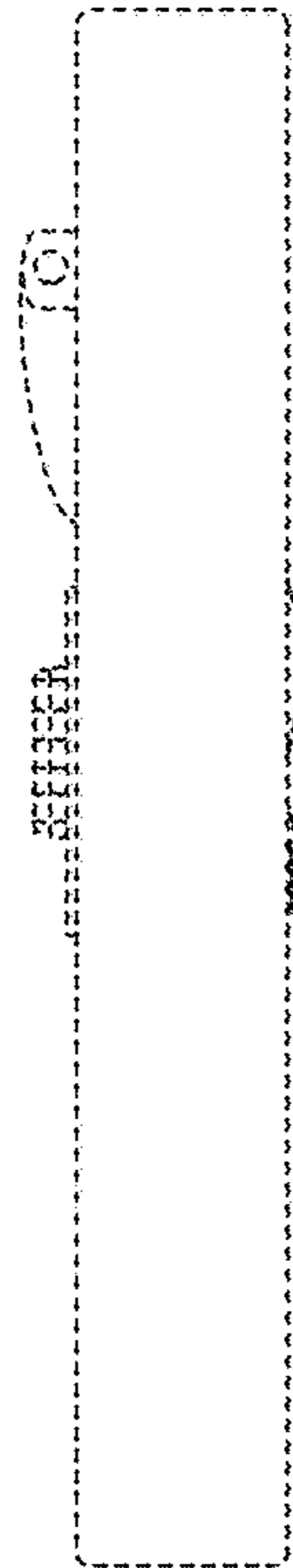


FIG. 4

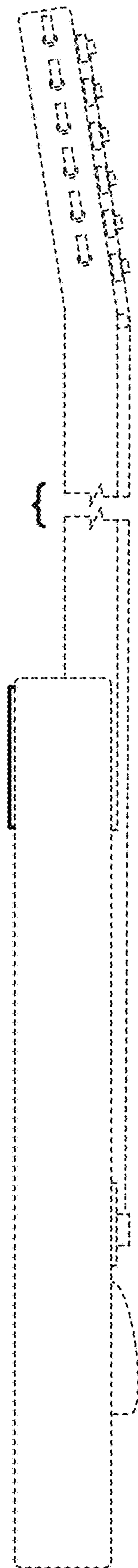


FIG. 5

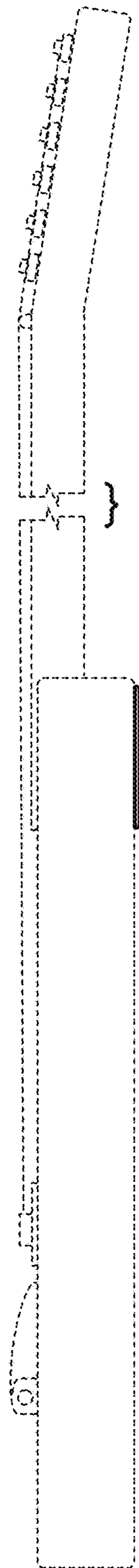
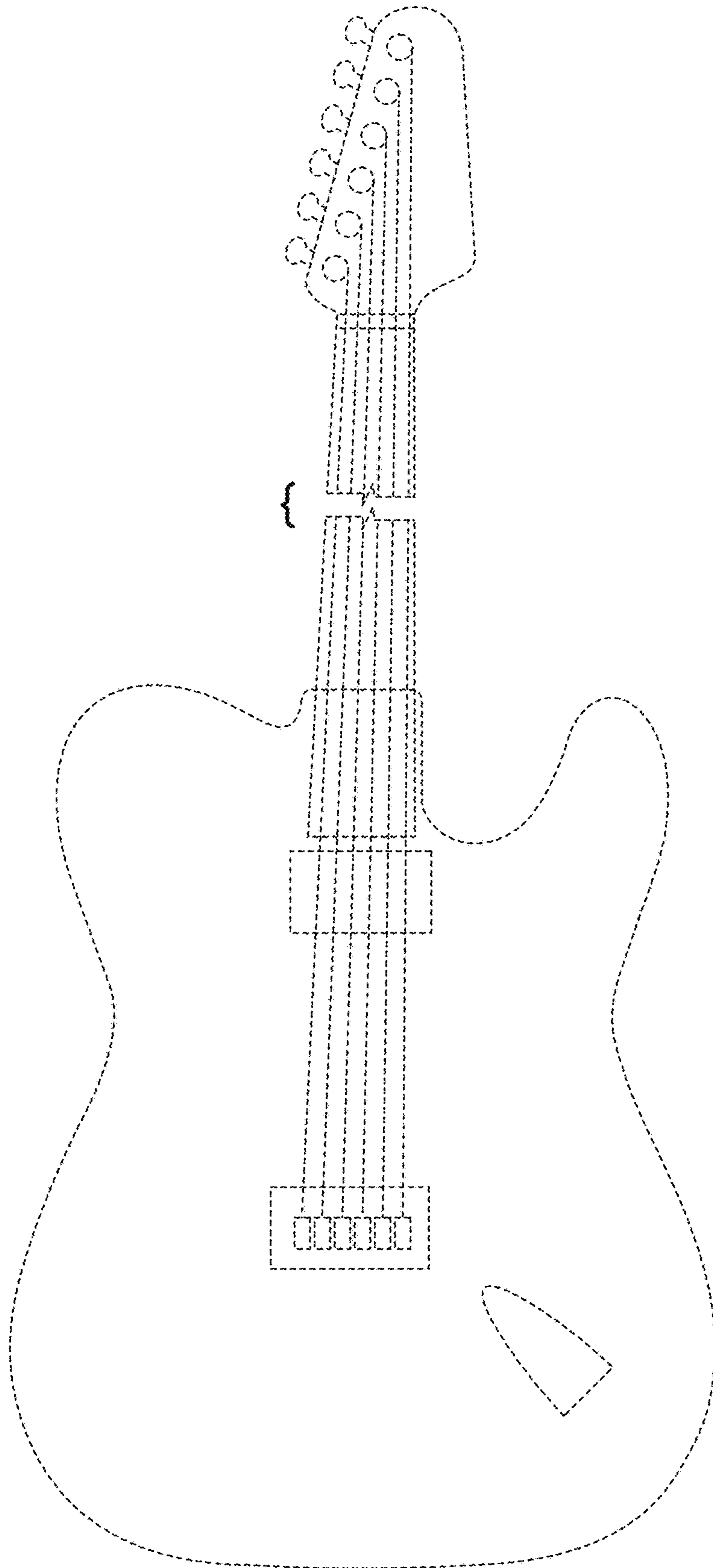


FIG. 6

FIG. 7



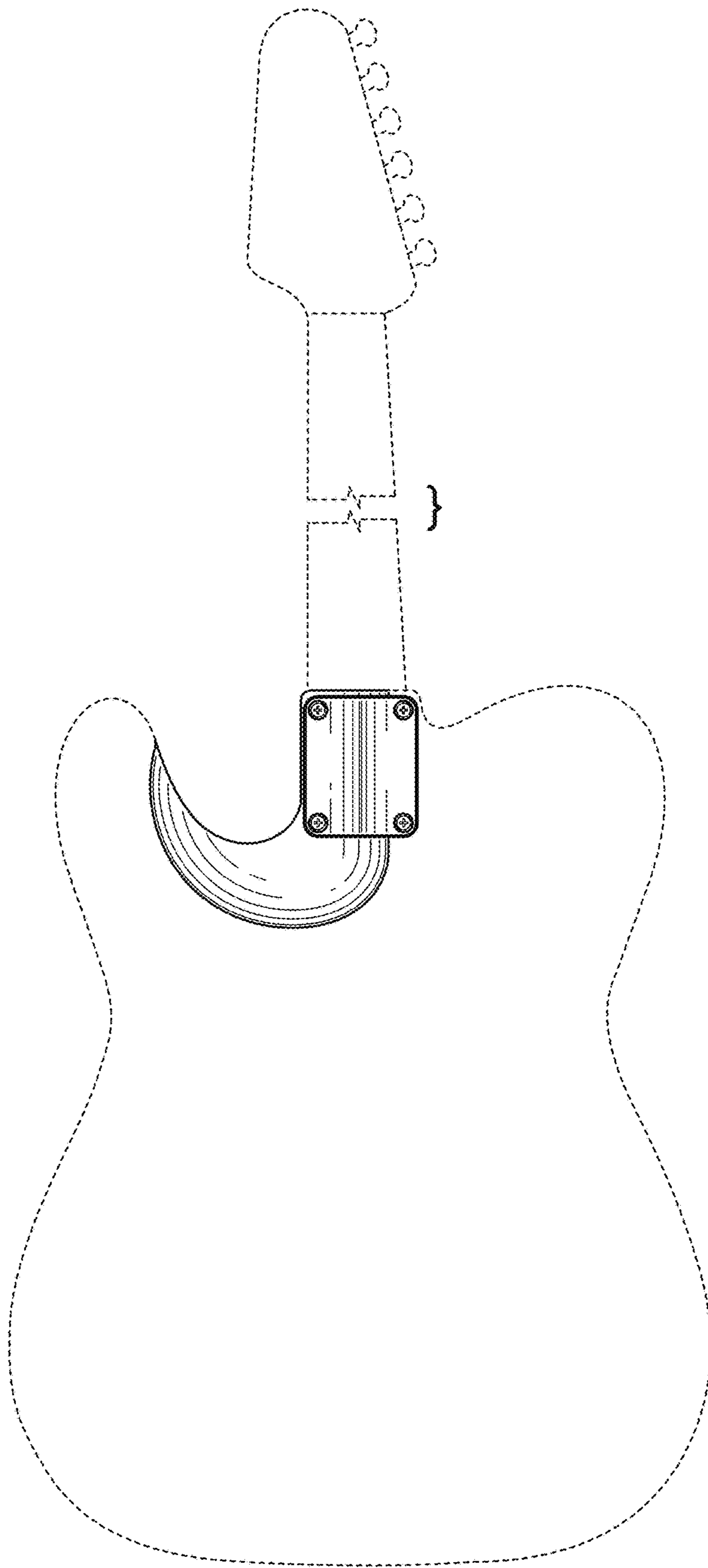


FIG. 8