



US00D776753S

(12) **United States Design Patent** (10) **Patent No.:** **US D776,753 S**  
**Uesugi et al.** (45) **Date of Patent:** **\*\* Jan. 17, 2017**

(54) **ELECTRONIC INSTRUMENT WITH KEYBOARD**

FOREIGN PATENT DOCUMENTS

(71) Applicant: **ROLAND CORPORATION**, Shizuoka (JP)

JP D1160321 12/2002  
JP 1258070 12/2005

(Continued)

(72) Inventors: **Tetsuya Uesugi**, Shizuoka (JP);  
**Shinichi Matsumoto**, Shizuoka (JP)

OTHER PUBLICATIONS

(73) Assignee: **ROLAND CORPORATION**, Shizuoka (JP)

Roland Corporation, <http://www.roland.com/products/jd-xi/>,  
retrieved on Mar. 20, 2015, "Roland—JD-Xi | Interactive Analog/  
Digital Crossover Synthesizer".

(\*\*) Term: **14 Years**

*Primary Examiner* — Susan E Krakower

*Assistant Examiner* — Lisa A Grabenstetter

(74) *Attorney, Agent, or Firm* — Jianq Chyun IP Office

(21) Appl. No.: **29/522,250**

(57) **CLAIM**

The ornamental design for an electronic instrument with keyboard, as shown and described.

(22) Filed: **Mar. 30, 2015**

(51) **LOC (10) Cl.** ..... **17-01**

**DESCRIPTION**

(52) **U.S. Cl.**  
USPC ..... **D17/9**

(58) **Field of Classification Search**

USPC ..... D14/217, 341, 345, 346; D17/1, 2, 7, 8,  
D17/9, 24, 99; D21/405, 409

CPC ..... A63H 5/00; G10C 1/00; G10C 1/02;  
G10C 1/04; G10C 3/00; G10C

3/12; G10F 1/02; G10F 3/00; G10H 1/00

See application file for complete search history.

FIG. 1 is a perspective view of an electronic instrument with keyboard showing my new design;  
FIG. 2 is another perspective view thereof;  
FIG. 3 is a front elevation view thereof;  
FIG. 4 is a rear elevation view thereof;  
FIG. 5 is a left side elevation view thereof;  
FIG. 6 is a right side elevation view thereof;  
FIG. 7 is a top plan view thereof;  
FIG. 8 is a bottom plan view thereof;  
FIG. 9 is a partially enlarged end view of the cross-section taken along line 9-9 of FIG. 6;  
FIG. 10 is a partially enlarged end view of the cross-section taken along line 10-10 of FIG. 6; and,  
FIG. 11 is a partially enlarged end view of the cross-section taken along line 11-11 of FIG. 6 with the internal structure simplified.

The broken line portions show unclaimed subject matter only and form no part of the claimed design. The dot-dash broken lines in FIG. 6 are included to show cross-sections only and form no part of the claimed design.

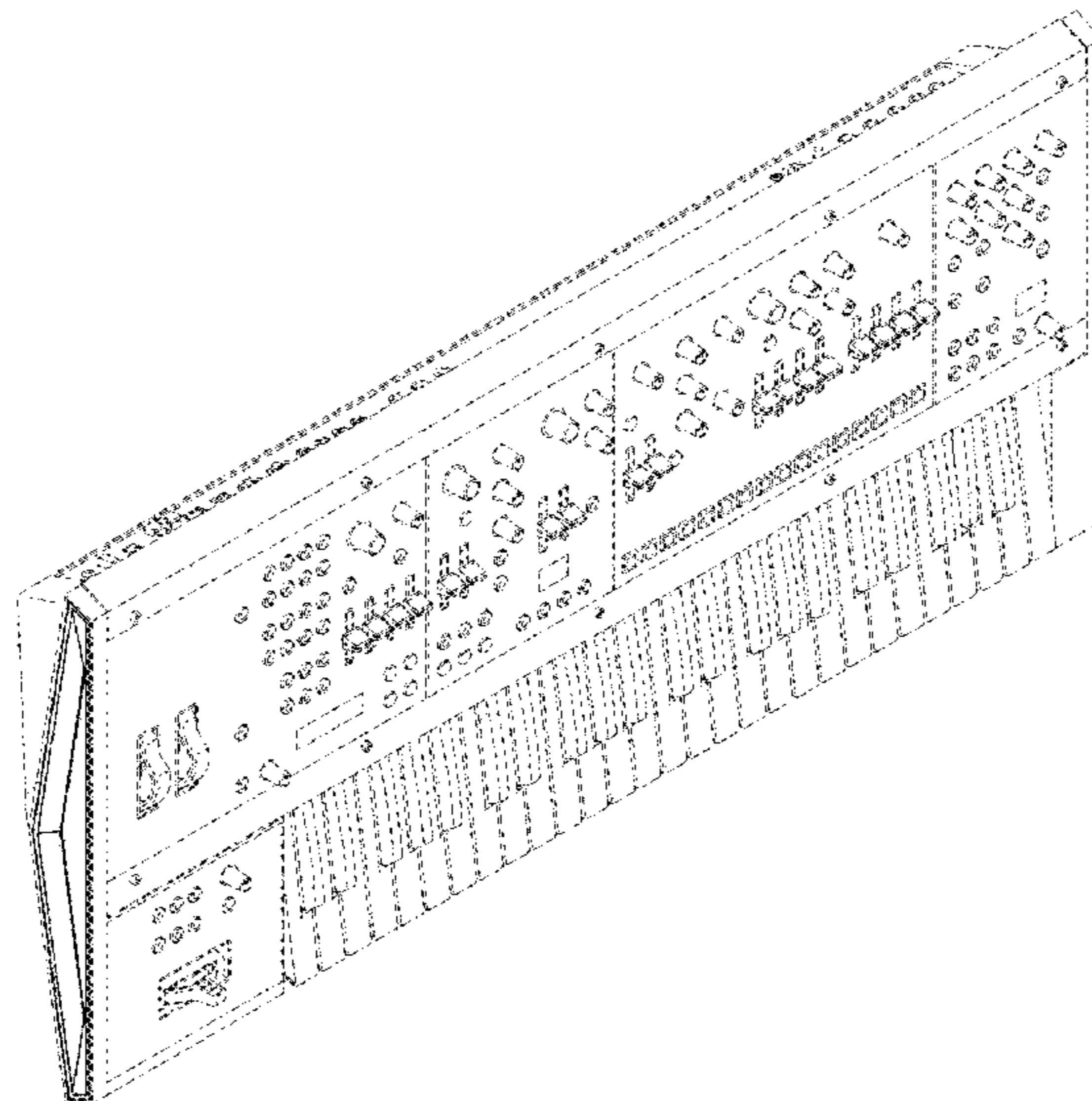
(56) **References Cited**

U.S. PATENT DOCUMENTS

D318,198 S \* 7/1991 Francetic ..... D6/661.1  
D402,984 S \* 12/1998 Ito ..... D14/162  
6,156,963 A \* 12/2000 Masubuchi ..... G10H 1/344  
84/423 R  
D438,858 S \* 3/2001 del Castillo ..... D14/188  
D630,617 S \* 1/2011 Ayres ..... D14/217  
D656,808 S \* 4/2012 Arvinte ..... D8/90  
D669,116 S \* 10/2012 Fukuoka ..... D17/9

(Continued)

**1 Claim, 11 Drawing Sheets**



(56)

**References Cited**

U.S. PATENT DOCUMENTS

D669,759 S \* 10/2012 Castilleja ..... D8/354  
D681,344 S \* 5/2013 Davis ..... D4/138  
D690,683 S \* 10/2013 Olswang ..... D14/217  
D692,414 S \* 10/2013 Ito ..... D14/217  
D696,715 S \* 12/2013 Sato ..... D17/1  
2013/0092011 A1\* 4/2013 Nakamura ..... H01H 19/14  
84/605

FOREIGN PATENT DOCUMENTS

JP D1292765 2/2007  
JP 1304754 7/2007

\* cited by examiner

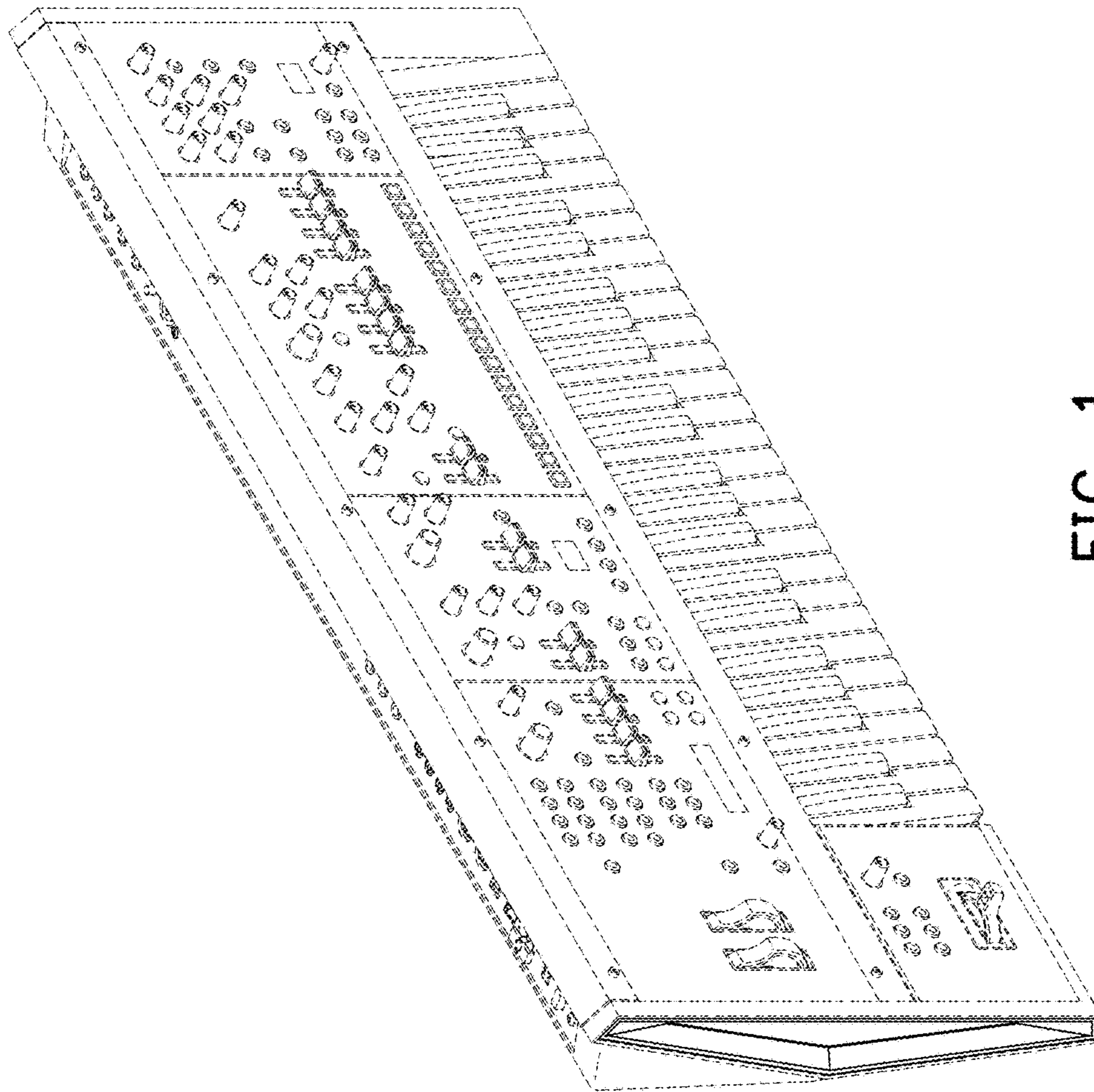


FIG. 1

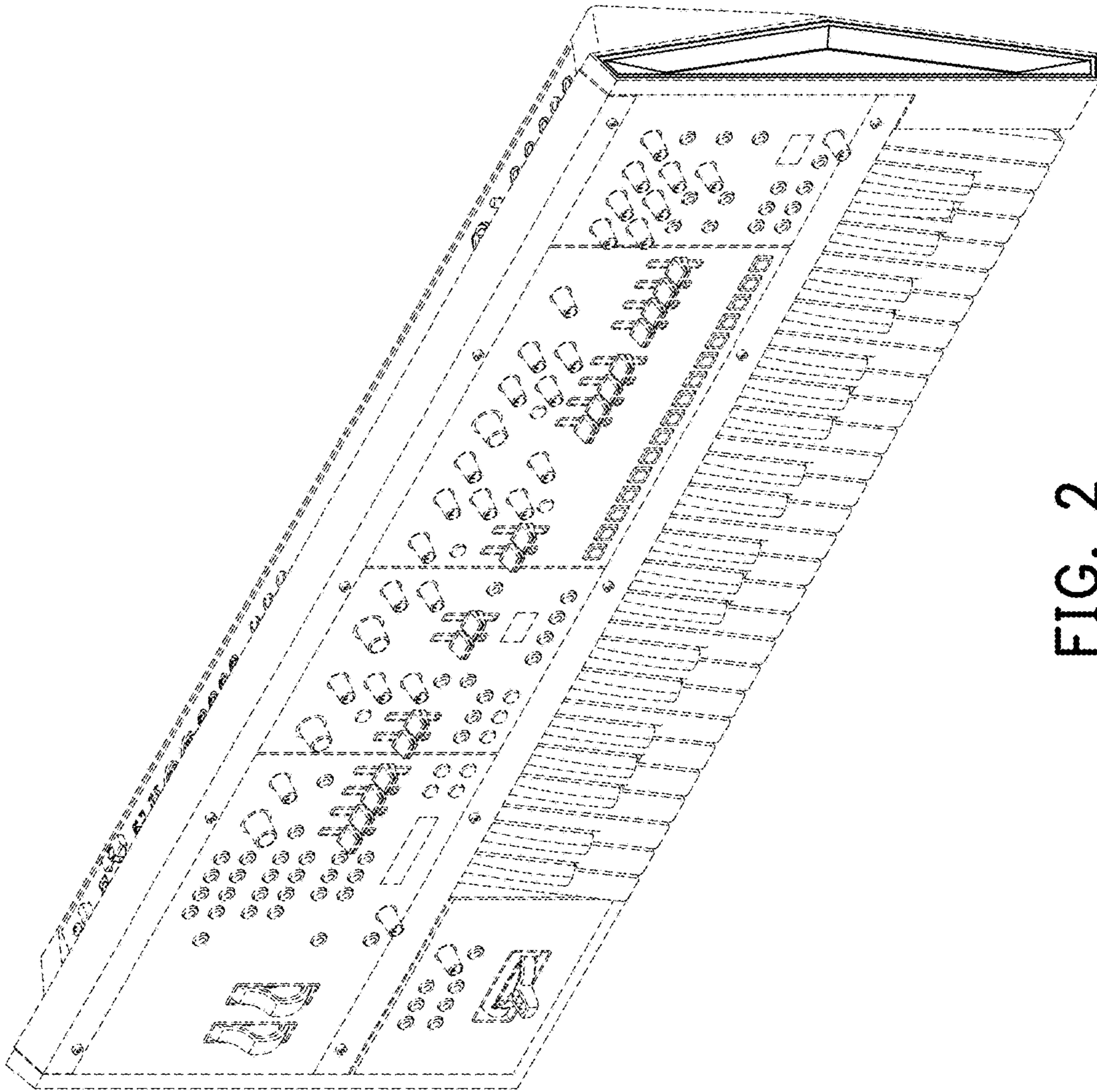


FIG. 2

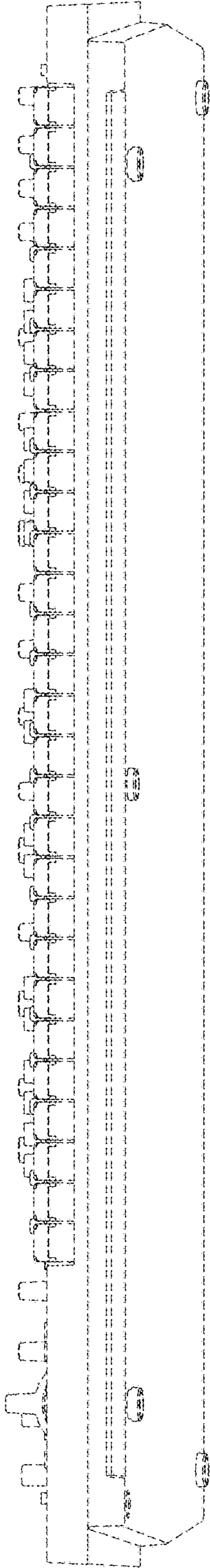


FIG. 3

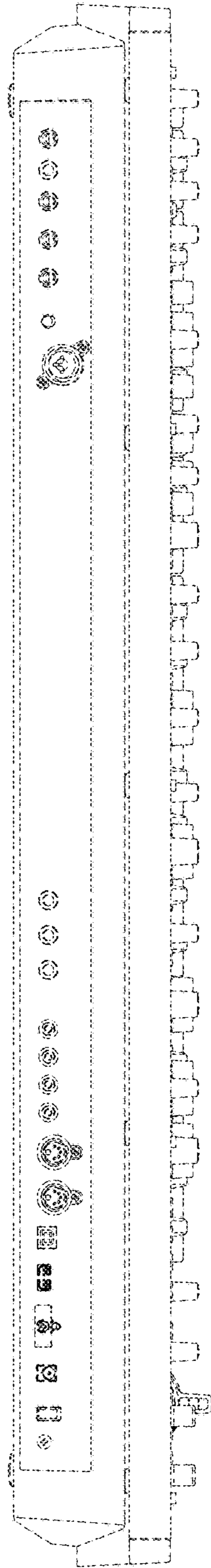


FIG. 4

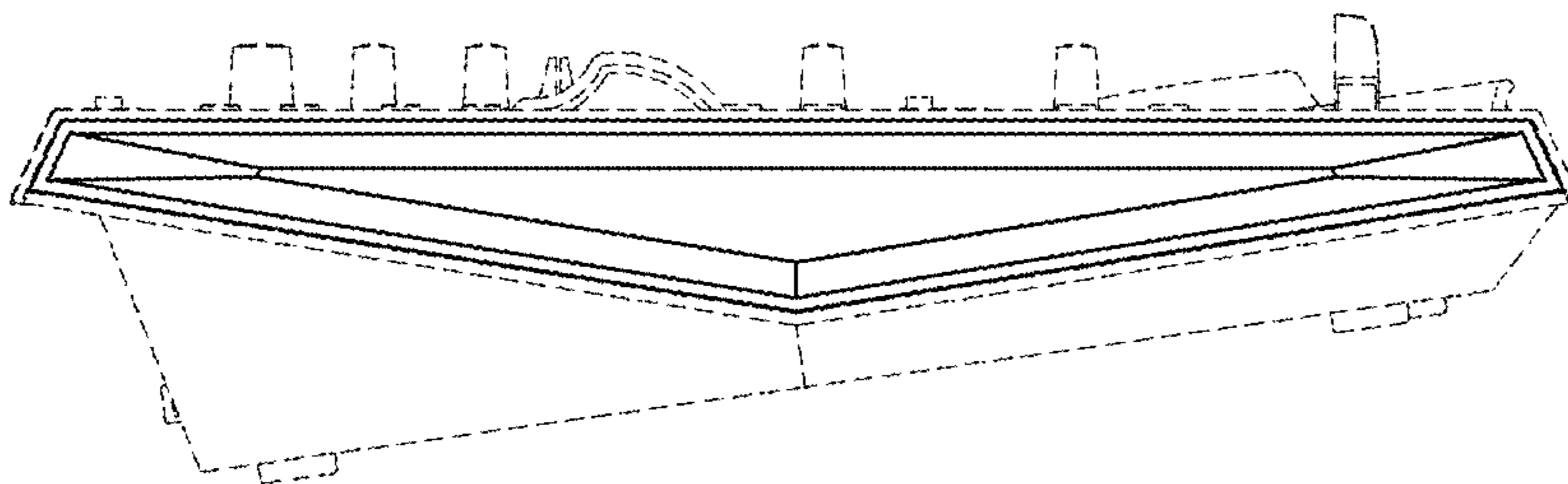


FIG. 5

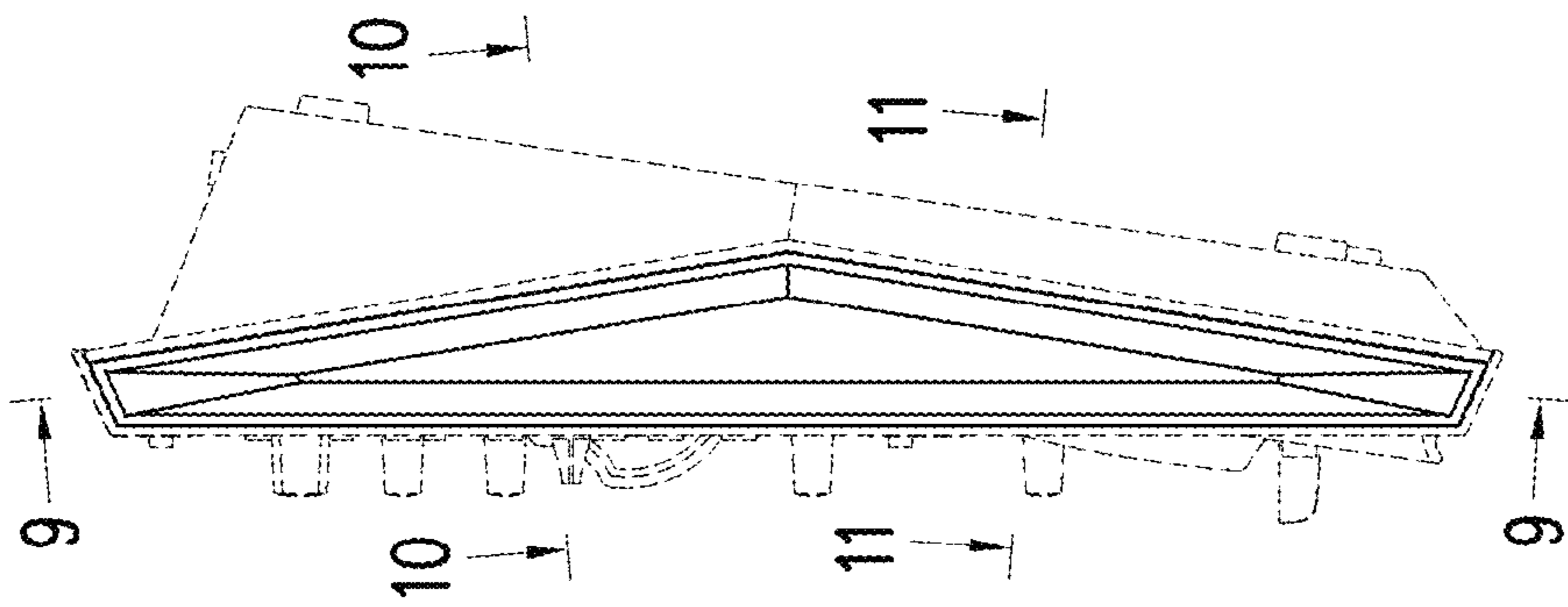


FIG. 6



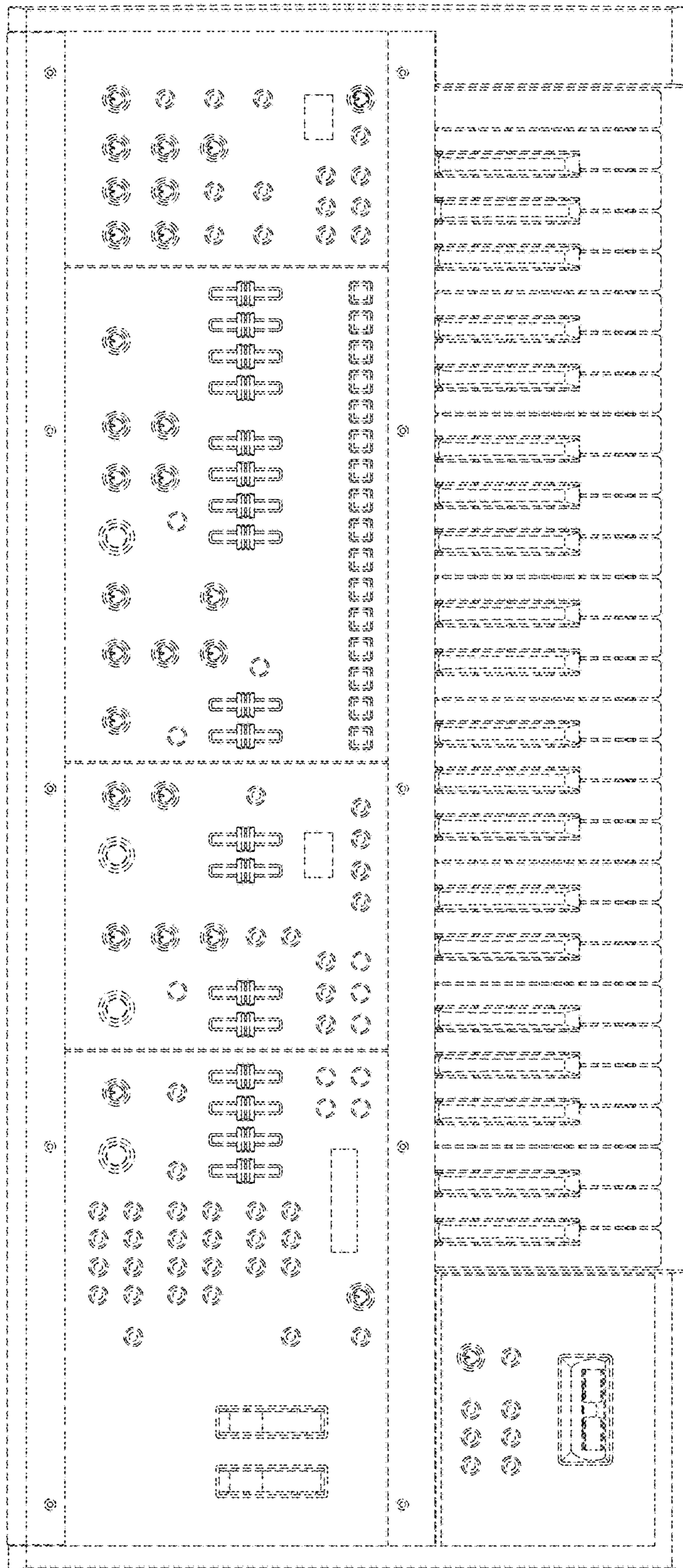


FIG. 7

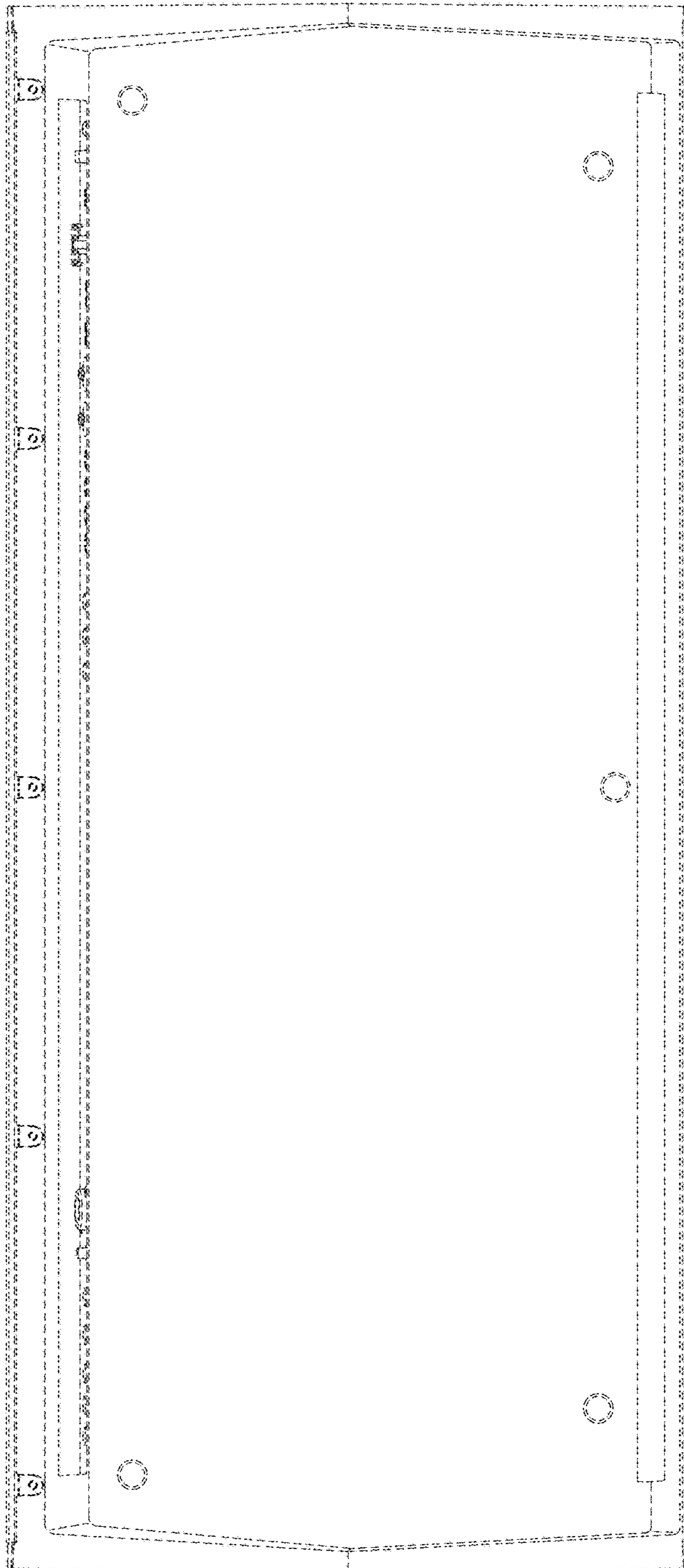


FIG. 8

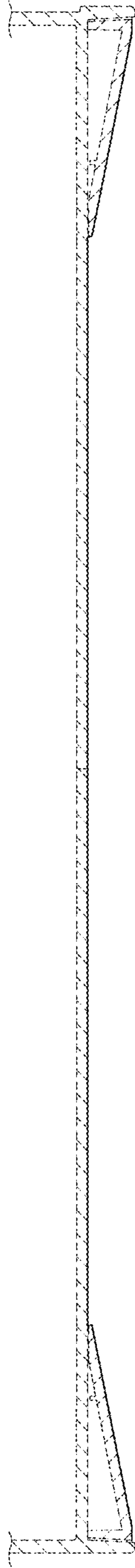


FIG. 9

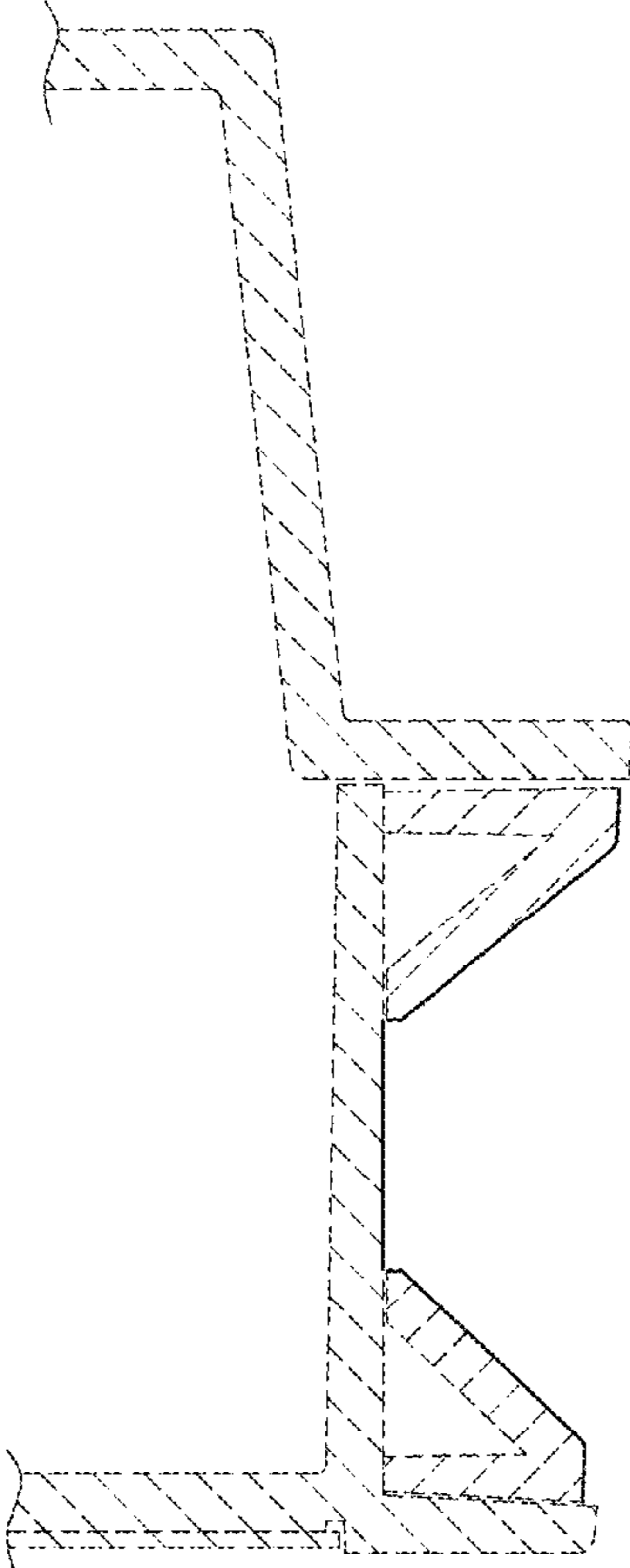


FIG. 10

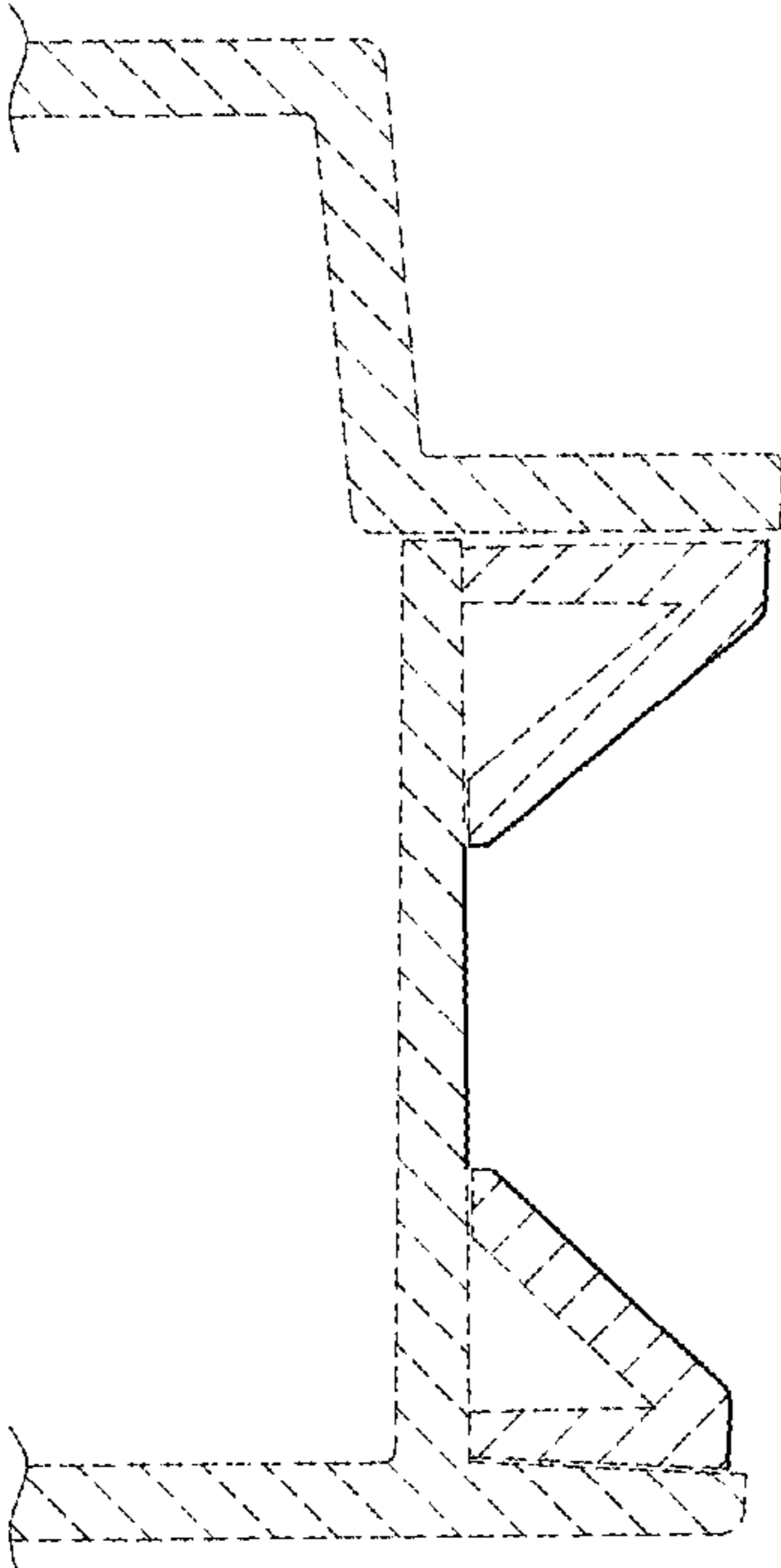


FIG. 11