



US00D776752S

(12) **United States Design Patent**
Huang

(10) **Patent No.:** **US D776,752 S**
(45) **Date of Patent:** **** Jan. 17, 2017**

- (54) **EYEGLASS TEMPLE**
- (71) Applicant: **Wen-Tse Huang**, Kaohsiung (TW)
- (72) Inventor: **Wen-Tse Huang**, Kaohsiung (TW)
- (**) Term: **15 Years**
- (21) Appl. No.: **29/531,189**
- (22) Filed: **Jun. 24, 2015**
- (51) **LOC (10) Cl.** **16-06**
- (52) **U.S. Cl.**
USPC **D16/335**
- (58) **Field of Classification Search**
USPC D16/101, 300-342, 900; D29/109-110;
D21/483, 659-661; D14/372; 351/41, 44,
351/45-48, 51-52, 62, 158, 92, 103-123,
351/140-153, 63, 59; 2/13, 15, 426-432,
2/447-449, 441, 434-437
CPC G02C 2200/08; G02C 1/06; G02C 5/14;
G02C 11/02; G02C 11/04; G02C
5/16; G02C 2200/22; G02C 5/146; G02C
5/2254; G02C 5/008; G01C 5/16; A61M
2021/0044; A63B 33/002
See application file for complete search history.

- (56) **References Cited**
U.S. PATENT DOCUMENTS
D105,421 S * 7/1937 Splaine D16/334
D237,903 S * 12/1975 Giannetti D16/336
4,570,289 A * 2/1986 Consolati G02C 5/2227
16/228
D285,452 S * 9/1986 Tabacchi D16/334
5,033,836 A * 7/1991 Aoyama G02C 5/10
351/153
5,150,136 A * 9/1992 Nakanishi G02C 5/00
351/111
5,402,552 A * 4/1995 Chen E05D 3/022
16/228
D389,853 S * 1/1998 Kosakowski D16/330
5,764,330 A * 6/1998 Simioni G02C 5/2209
16/228

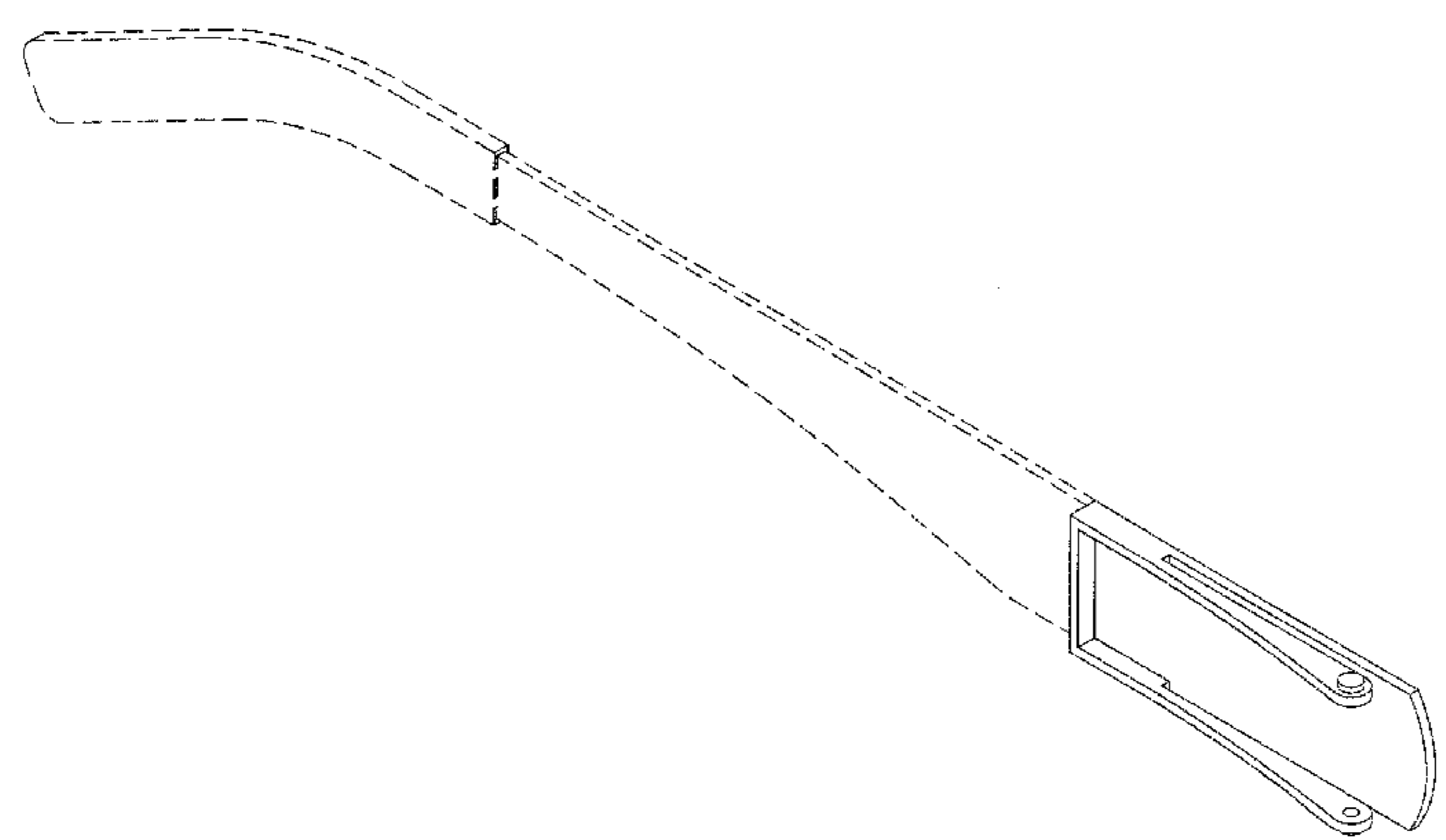
- 5,889,575 A * 3/1999 Wang G02C 5/2236
16/228
 - D419,177 S * 1/2000 Bolling D16/336
 - D458,627 S * 6/2002 Desbierz-Piat D16/330
 - 6,631,194 B2 * 10/2003 Fukuoka G02C 5/2245
351/153
 - D516,605 S * 3/2006 Marc D16/334
 - 7,090,347 B1 * 8/2006 Rotman G02C 5/2209
16/228
 - D553,179 S * 10/2007 Irvine D16/334
 - D616,487 S * 5/2010 Riley D16/330
 - D671,983 S * 12/2012 Fuchs D16/315
 - D682,924 S * 5/2013 Cheung D16/334
 - 8,651,659 B2 * 2/2014 Bertelli G02C 11/02
351/118
 - D708,663 S * 7/2014 Huang D16/330
- (Continued)

Primary Examiner — Rosemary K Tarcza
Assistant Examiner — Sanjeev Paul
 (74) *Attorney, Agent, or Firm* — Alan D. Kamrath;
 Kamrath IP Lawfirm, P.A.

(57) **CLAIM**
 The ornamental design for an eyeglass temple, as shown and described.

DESCRIPTION
 FIG. 1 is a perspective view of an eyeglass temple showing my design;
 FIG. 2 is a front elevational view thereof;
 FIG. 3 is a rear elevational view thereof;
 FIG. 4 is a left elevational view thereof;
 FIG. 5 is a right elevational view thereof;
 FIG. 6 is a top plan view thereof;
 FIG. 7 is a bottom plan view thereof; and,
 FIG. 8 is a sectional view thereof taken along section line 8-8 of FIG. 2.
 The broken lines shown in the Figures are included for the purpose of illustrating environmental structure and form no part of the claimed design.

1 Claim, 6 Drawing Sheets



(56)

References Cited

U.S. PATENT DOCUMENTS

D712,453	S *	9/2014	Mewha	D16/335
D721,397	S *	1/2015	Feldman	D16/334
D741,399	S *	10/2015	Ho	D16/335
D745,083	S *	12/2015	Yoo	D16/326
D747,760	S *	1/2016	Huang	D16/334
D751,140	S *	3/2016	Ly	D16/339
D757,158	S *	5/2016	Fuchs	D16/315
D761,346	S *	7/2016	Spampinato	D16/330
2007/0242211	A1 *	10/2007	Chao	G02C 11/02 351/41
2008/0079893	A1 *	4/2008	Chen	G02C 5/10 351/44
2008/0165317	A1 *	7/2008	Wilson	G02C 11/02 351/52
2012/0075571	A1 *	3/2012	Silver	G02C 11/02 351/52
2014/0125942	A1 *	5/2014	Huang	G02C 5/2209 351/121
2014/0253864	A1 *	9/2014	Iimura	G02C 5/00 351/89
2015/0160473	A1 *	6/2015	Tormen	G02C 5/00 351/116
2016/0091732	A1 *	3/2016	Wang	G02C 5/16 351/114

* cited by examiner

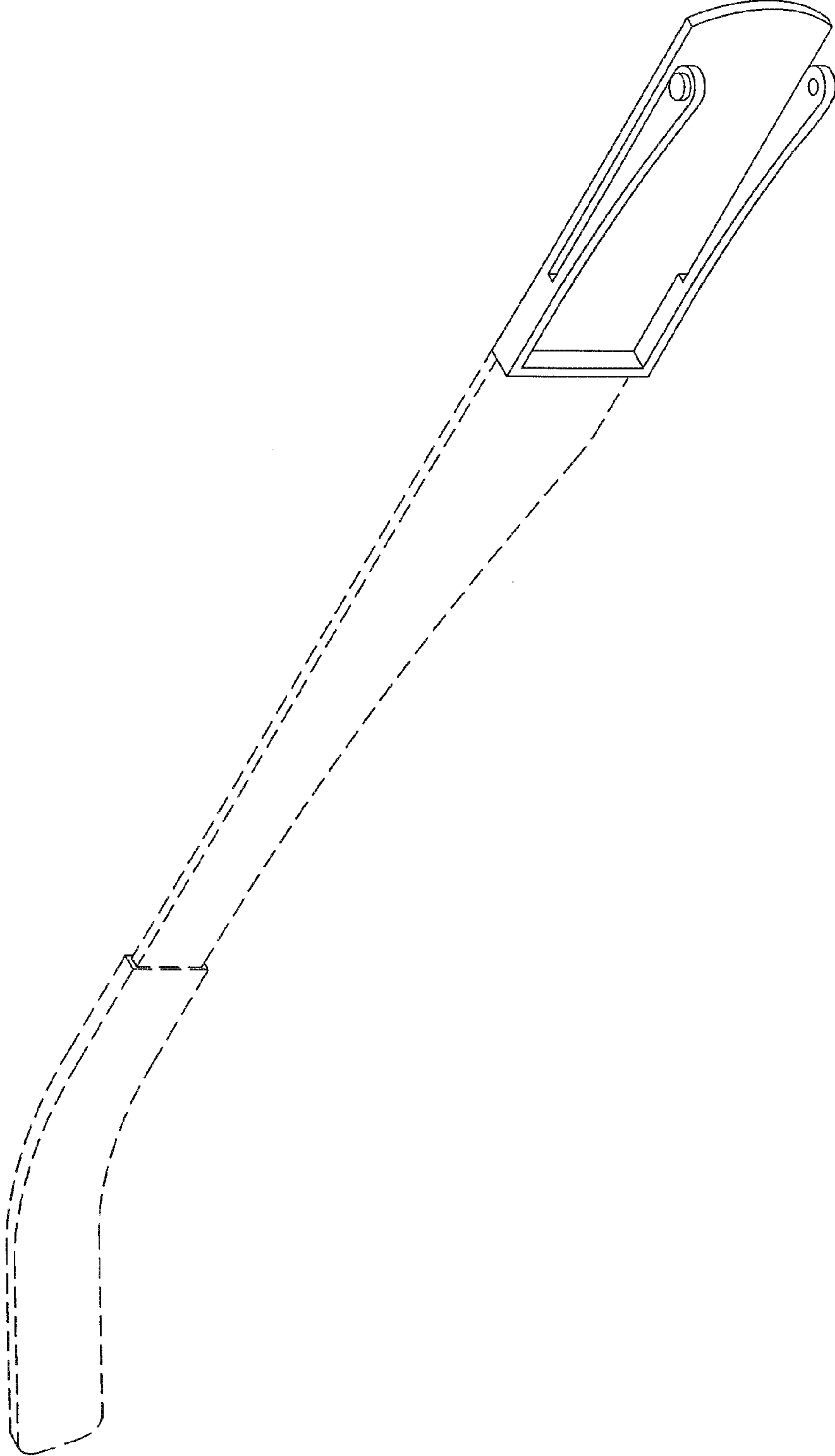


FIG.1

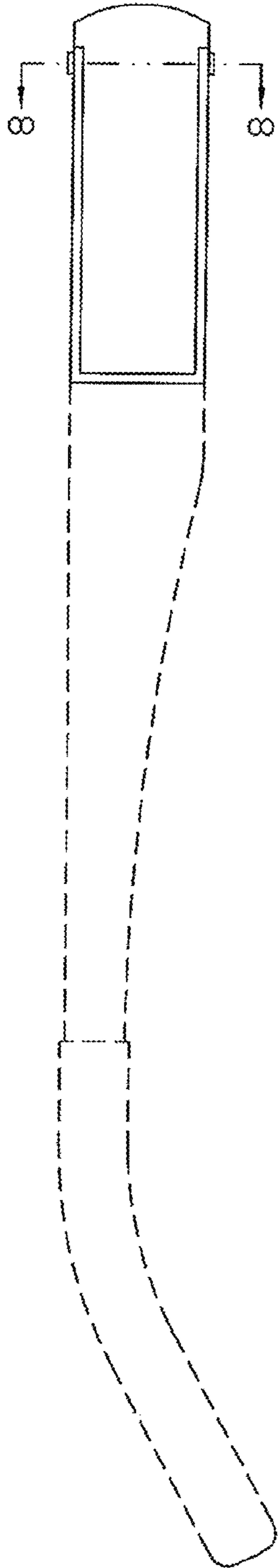


FIG.2

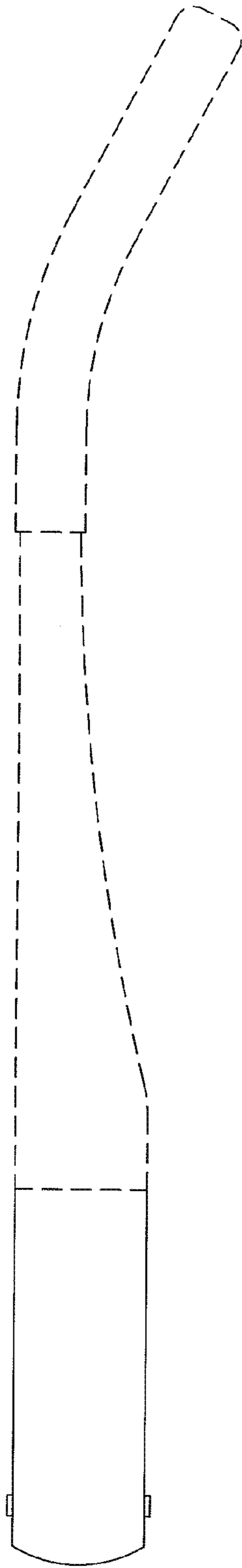


FIG.3

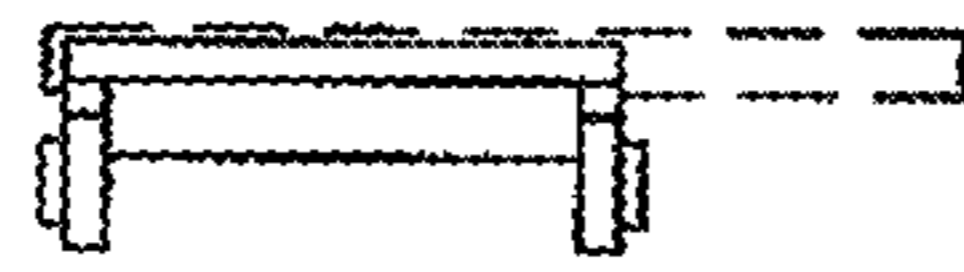


FIG.5

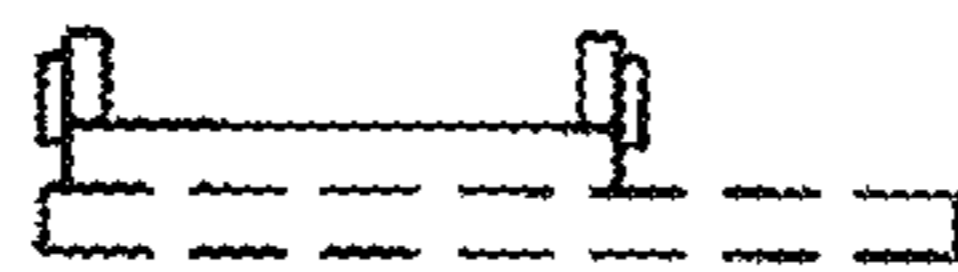


FIG.4

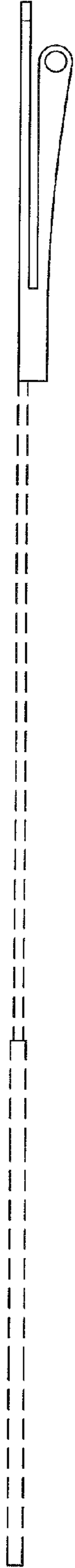


FIG. 6

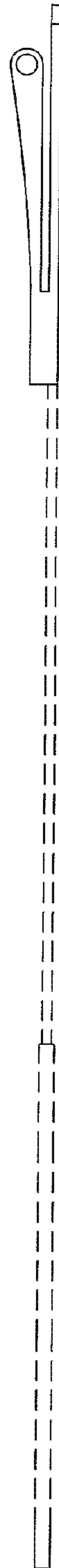


FIG. 7

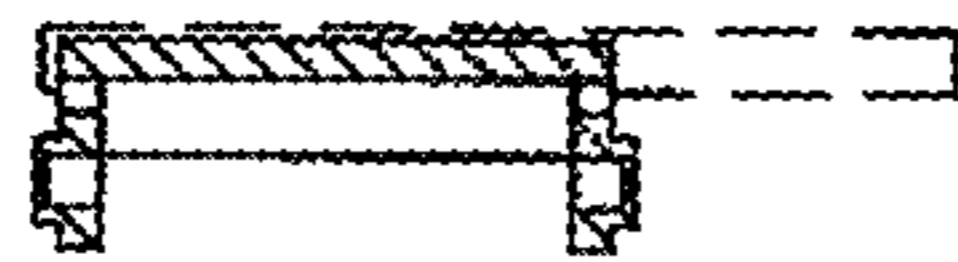


FIG.8