



US00D776749S

(12) **United States Design Patent**  
**Cummings et al.**

(10) **Patent No.:** **US D776,749 S**  
(45) **Date of Patent:** **\*\* Jan. 17, 2017**

- (54) **ADJUSTABLE GLASSES**
- (71) Applicant: **Timothy A. Cummings**, Fort Worth, TX (US)
- (72) Inventors: **Timothy A. Cummings**, Fort Worth, TX (US); **Daniel Windham**, Flower Mound, TX (US)
- (73) Assignee: **Timothy A. Cummings**, Fort Worth, TX (US)
- (\*\*) Term: **14 Years**
- (21) Appl. No.: **29/524,711**
- (22) Filed: **Apr. 22, 2015**
- (51) **LOC (10) Cl.** ..... **16-06**
- (52) **U.S. Cl.**  
USPC ..... **D16/309; D16/335; D16/315; D16/325**
- (58) **Field of Classification Search**  
USPC ..... **D16/101, 300-342, 900; D29/109-110; 351/41, 44, 51-52, 62, 158, 92, 103-123, 351/140-153, 63, 59, 45-48; 2/426-432, 2/447-449, 441, 434-437, 440, 442, 13, 2/15, 10; D21/483, 659-661; D14/372; D8/356**  
CPC ..... **G02C 2200/08; G02C 1/06; G02C 5/14; G02C 5/16; G02C 11/02; G02C 11/04; A61M 2021/0044; A63B 33/002; A42B 3/185; A42B 3/225; A42B 3/04**  
See application file for complete search history.

5,940,891	A *	8/1999	Lane	.....	A42B 3/185	2/10
5,966,738	A *	10/1999	Wang Lee	.....	A42B 3/225	2/10
D451,532	S *	12/2001	Bondy	.....	D16/304	
6,892,393	B1 *	5/2005	Provost	.....	A42B 3/185	2/10
D541,991	S *	5/2007	Lawrence	.....	D29/110	
8,245,320	B2 *	8/2012	Provost	.....	A42B 3/185	2/12
8,677,517	B1 *	3/2014	Morency	.....	A42B 3/221	2/15
9,048,896	B2 *	6/2015	Shin	.....	H04B 7/0456	
9,155,347	B2 *	10/2015	Van Waes	.....	A42B 3/185	
2013/0208229	A1 *	8/2013	Polegato Moretti	....	A61F 9/028	351/62

\* cited by examiner

*Primary Examiner* — Raphael Barkai  
(74) *Attorney, Agent, or Firm* — Schultz & Associates, P.C.

(57) **CLAIM**

The ornamental design for an adjustable glasses, as shown and described.

**DESCRIPTION**

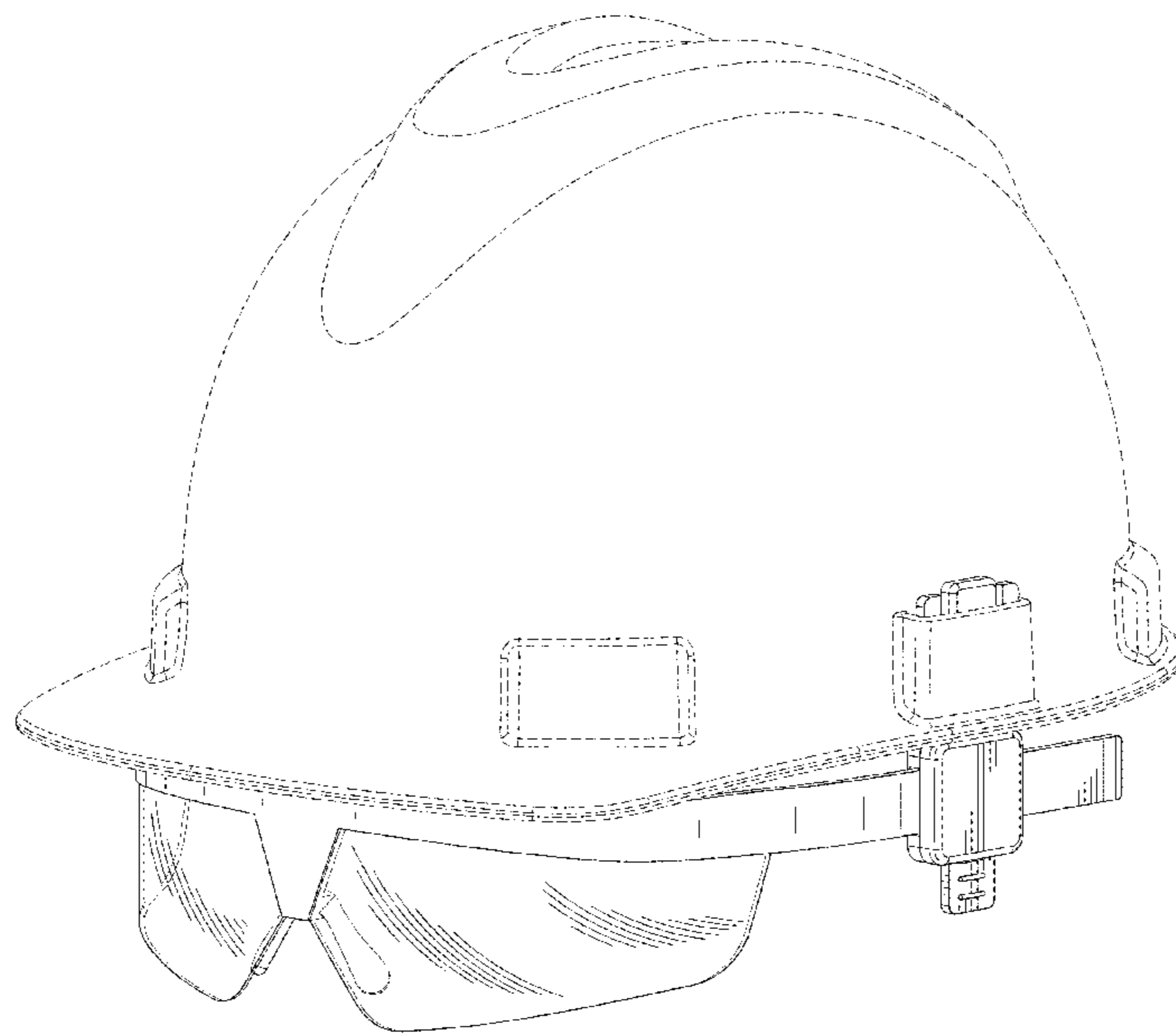
FIG. 1 is an isometric view of an adjustable glasses showing our new design;  
FIG. 2 is a front elevation view thereof;  
FIG. 3 is a rear elevation view thereof;  
FIG. 4 is a side view thereof;  
FIG. 5 is a top view thereof;  
FIG. 6 is a bottom view thereof; and,  
FIG. 7 is a perspective view thereof.  
The broken lines shown represent unclaimed subject matter and form no part of the claimed design.

**1 Claim, 7 Drawing Sheets**

(56) **References Cited**

**U.S. PATENT DOCUMENTS**

5,012,528	A *	5/1991	Pernicka	.....	A42B 3/04	2/10
5,930,834	A *	8/1999	Toovey	.....	A42B 1/247	2/10



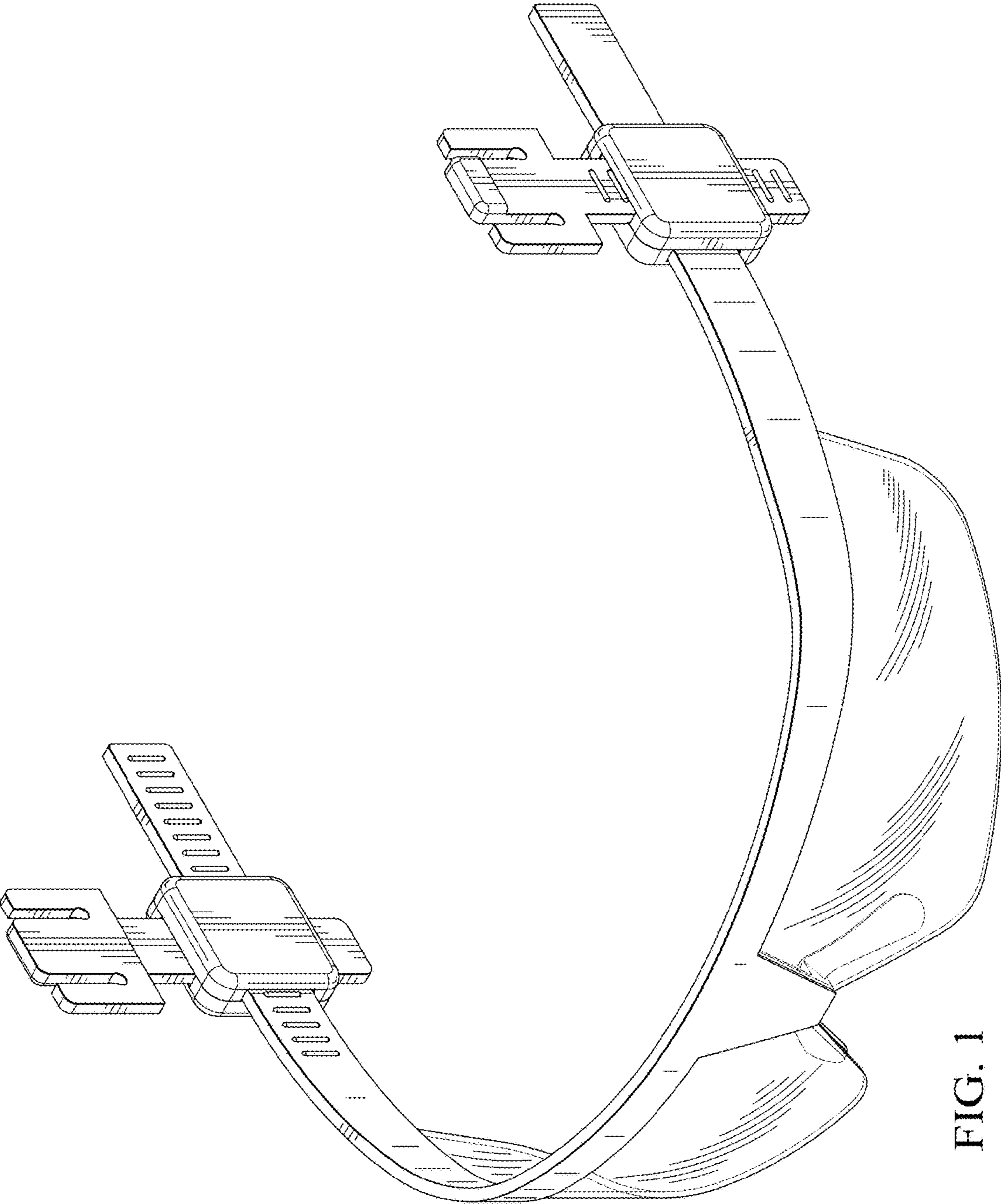


FIG. 1

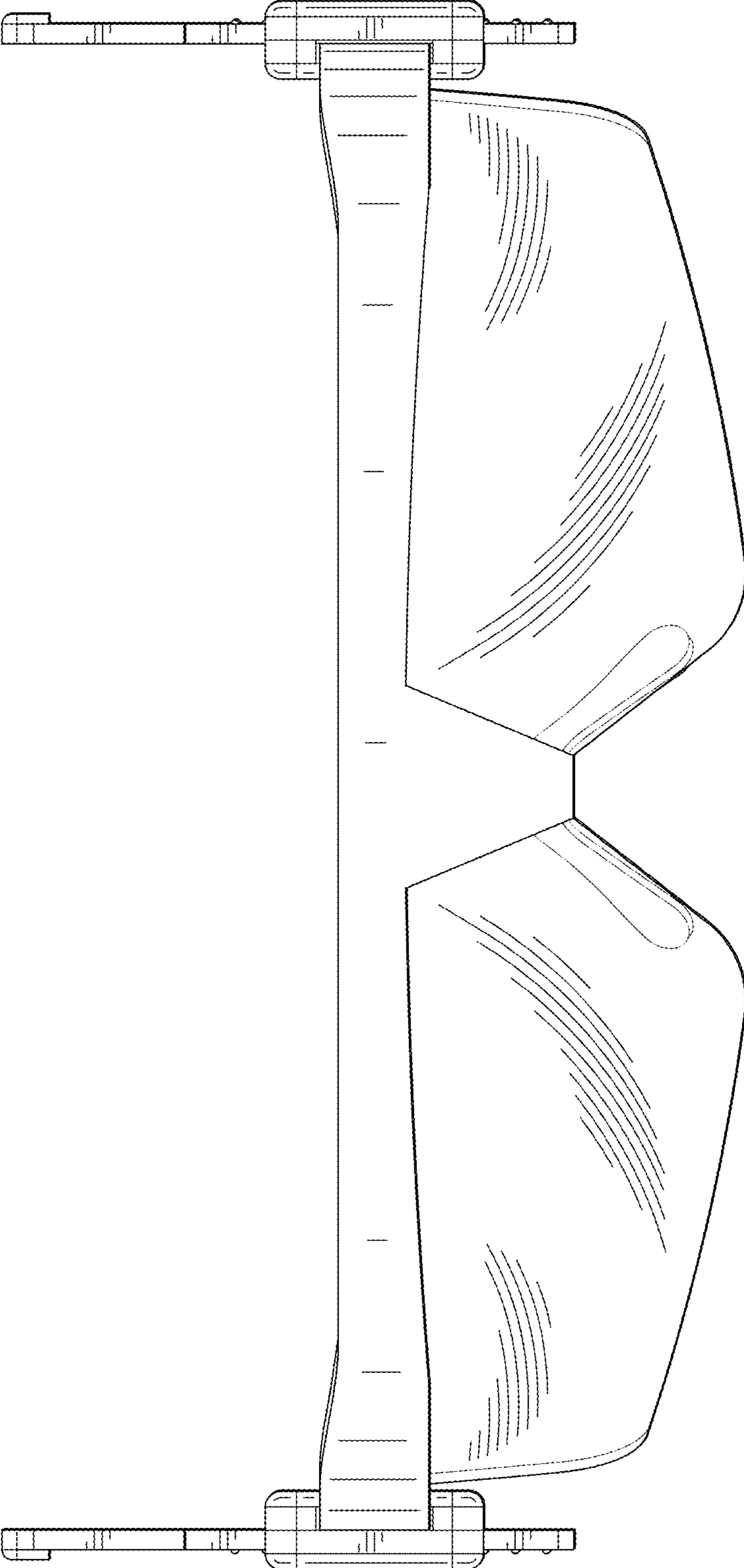


FIG. 2

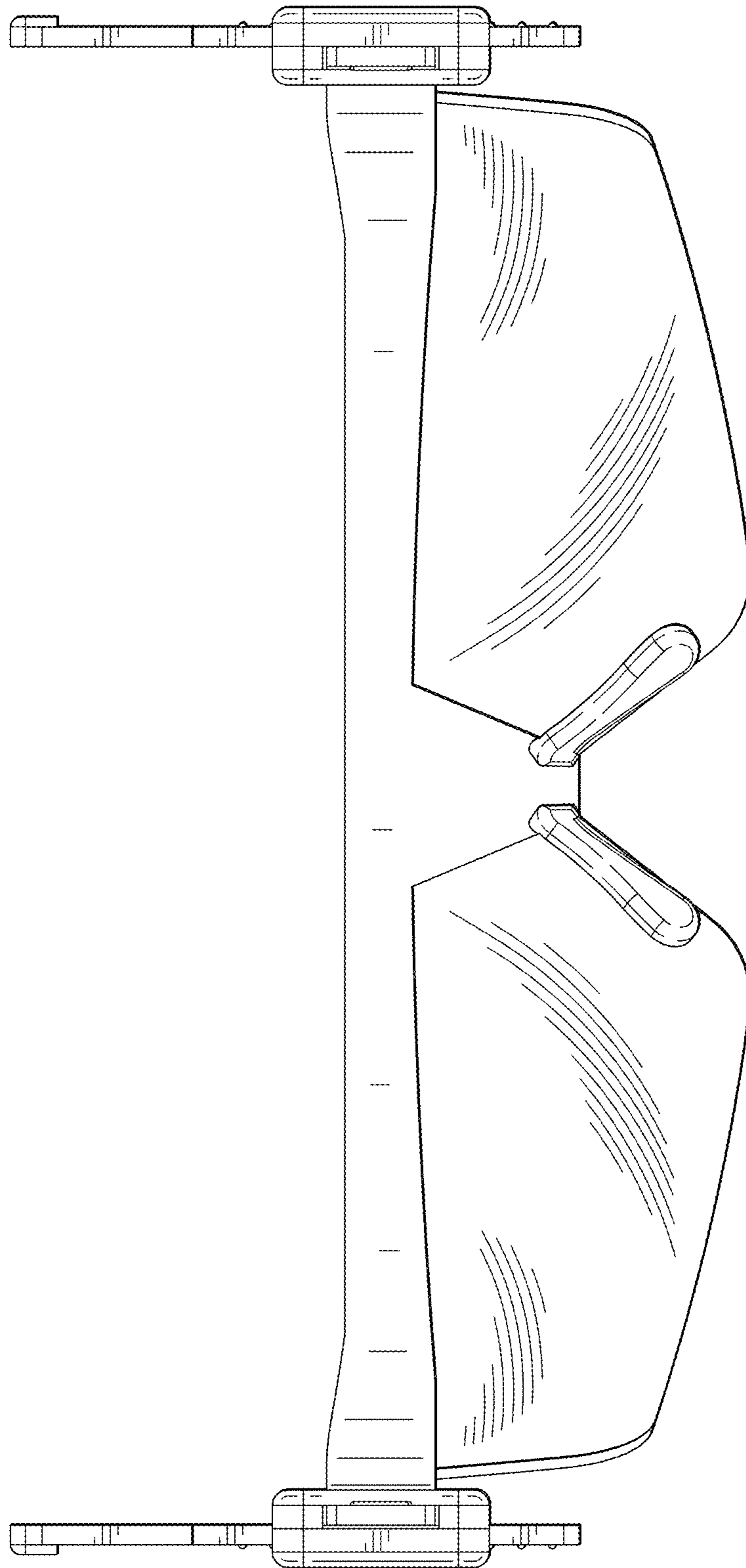


FIG. 3

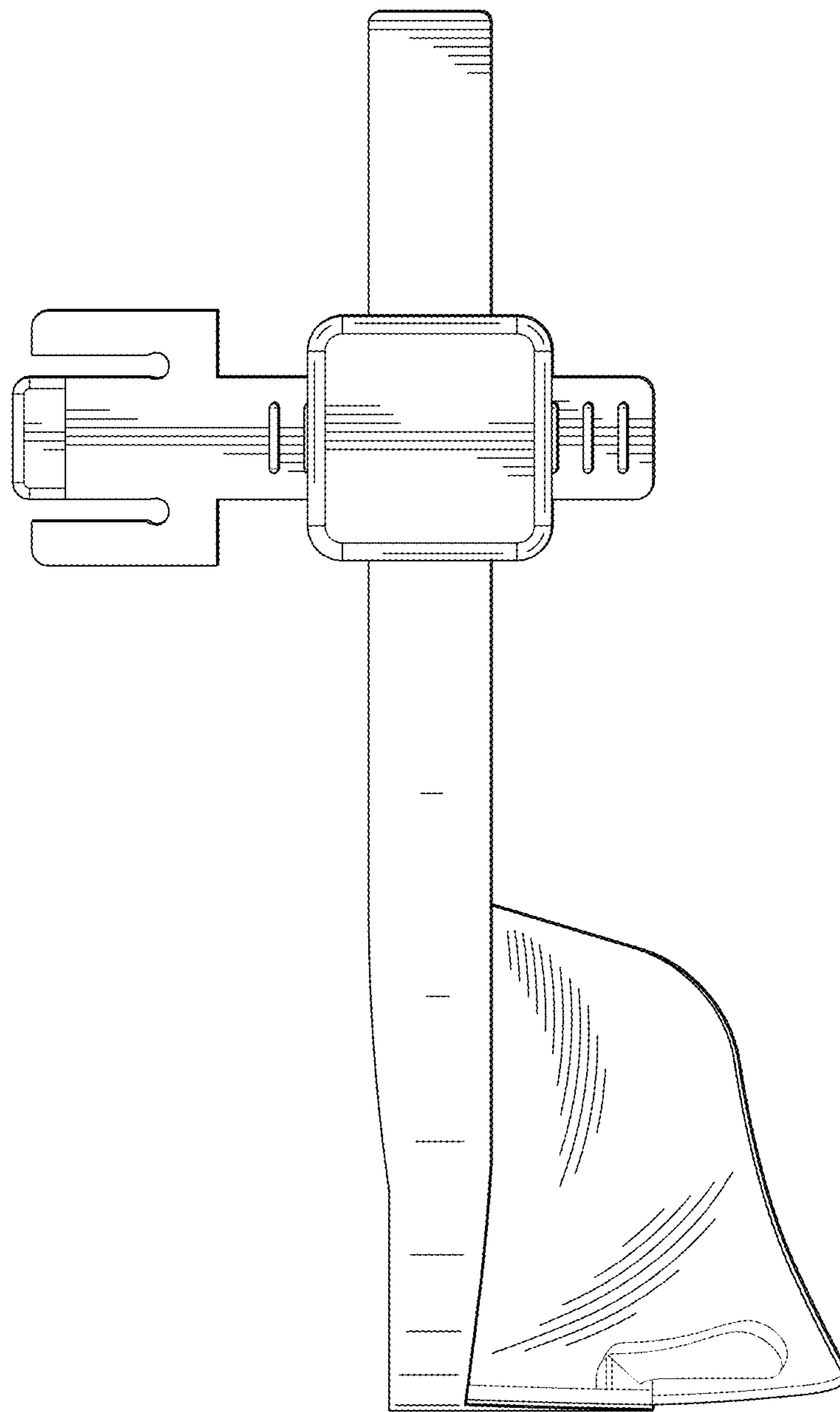


FIG. 4

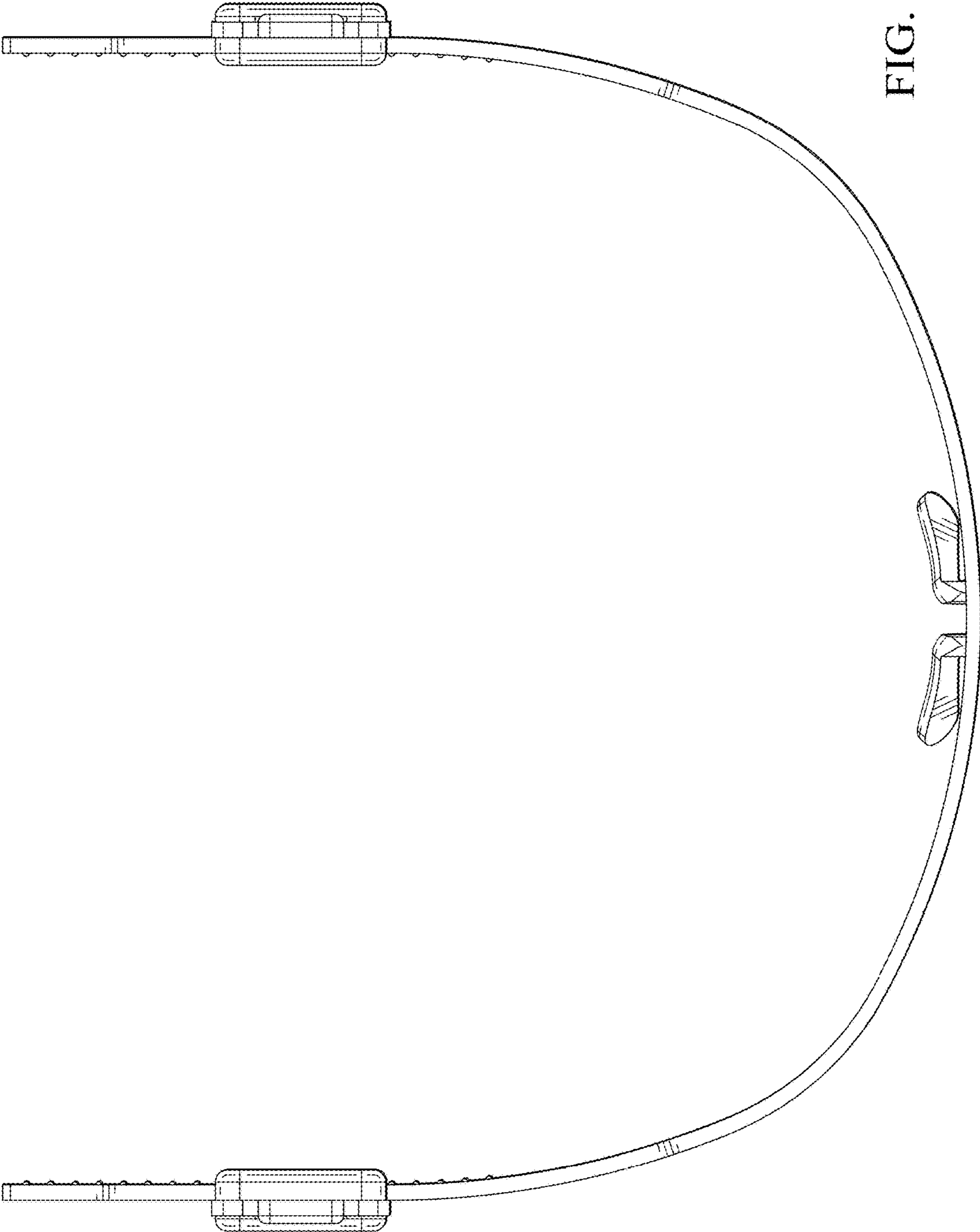


FIG. 5

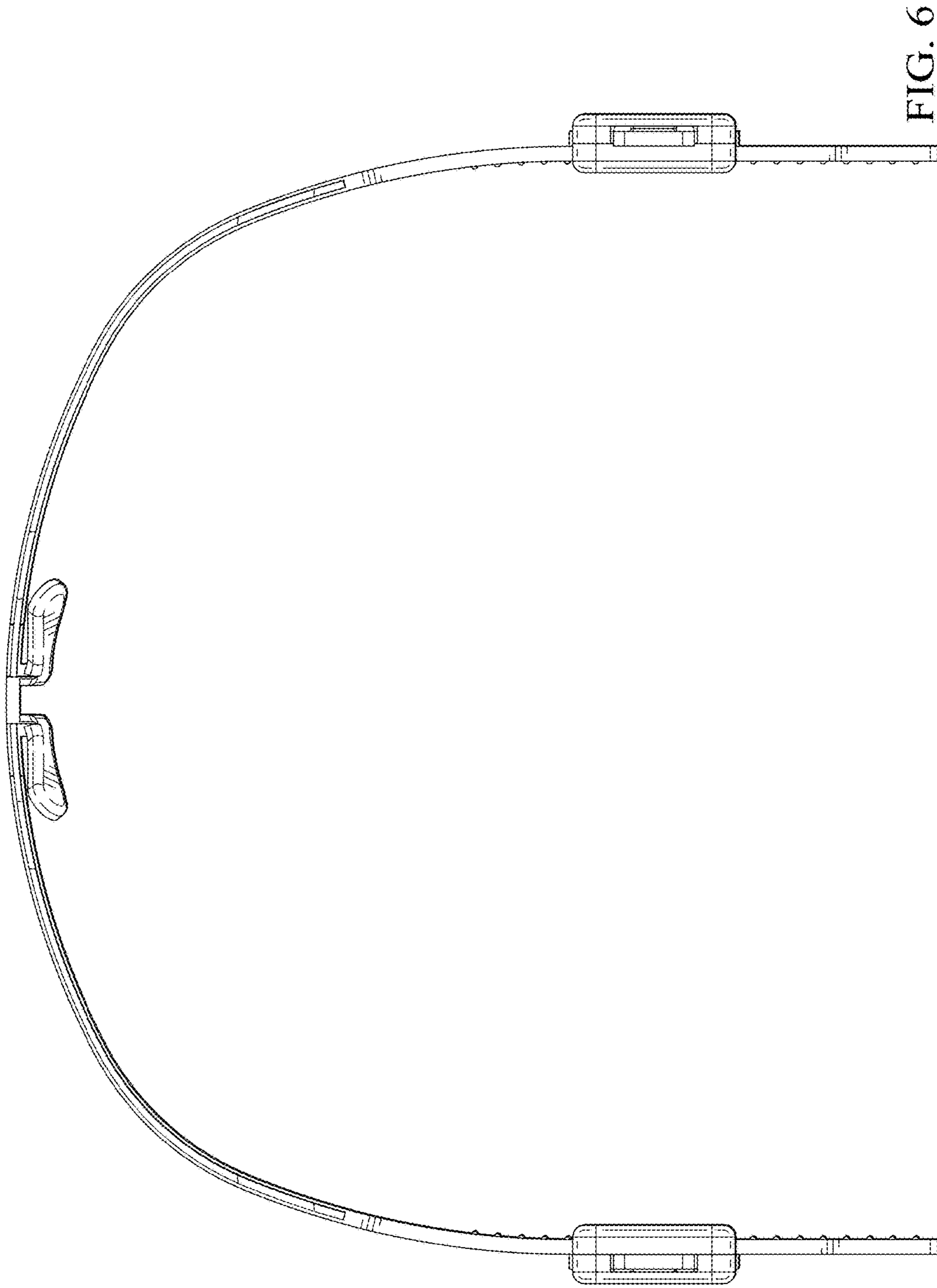


FIG. 6

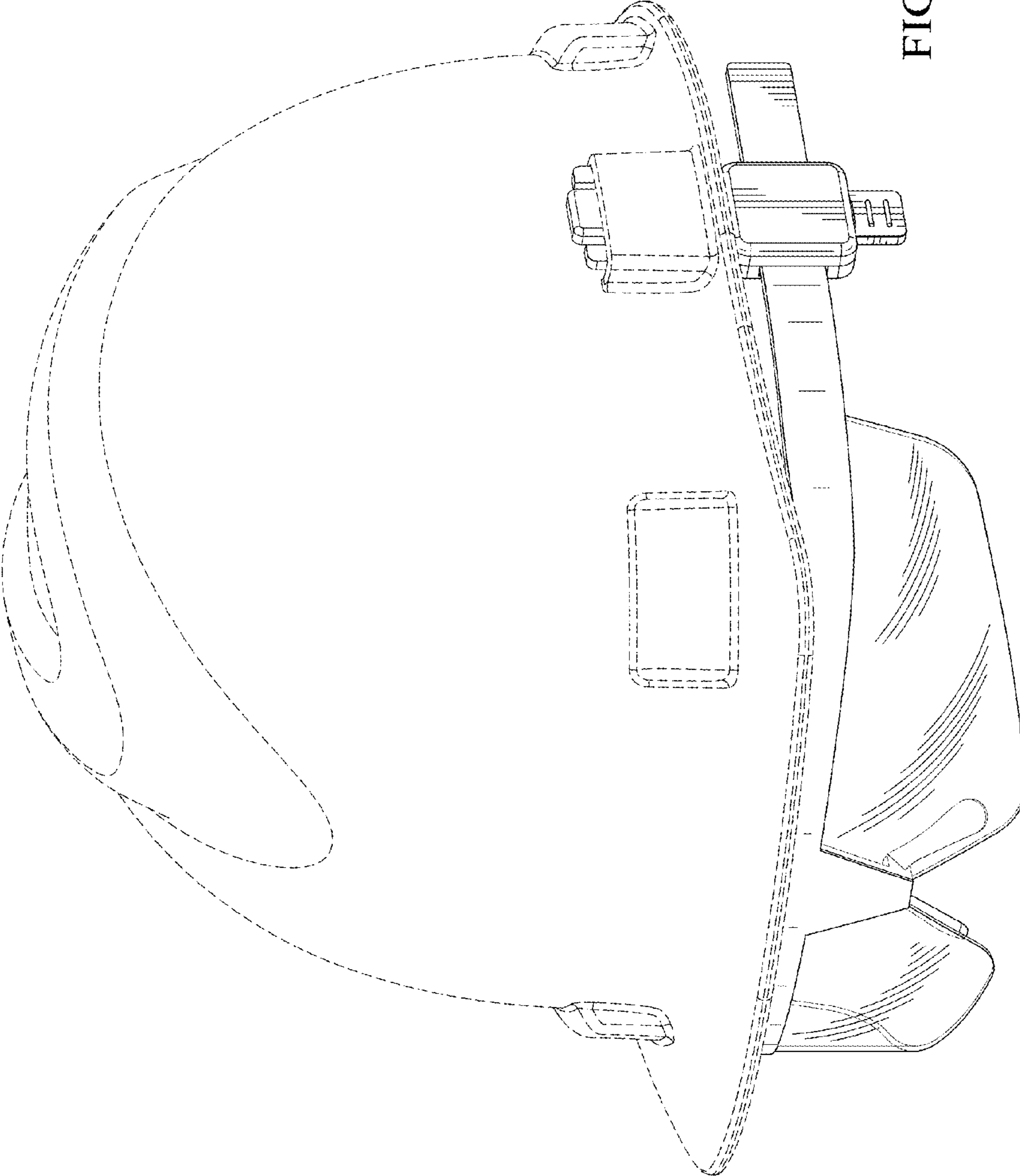


FIG. 7