



US00D776747S

(12) **United States Design Patent**  
**Lenihan**

(10) **Patent No.:** **US D776,747 S**  
(45) **Date of Patent:** **\*\* Jan. 17, 2017**

(54) **MOUNT FOR CAMERAS AND  
CINEMATOGRAPHIC APPARATUS**

(71) Applicant: **3 Legged Thing Limited**, Stagsden,  
Bedfordshire (GB)

(72) Inventor: **Danny Lenihan**, Stagsden (GB)

(73) Assignee: **3 Legged Thing Limited**, Stagsden  
(GB)

(\*\*) Term: **15 Years**

(21) Appl. No.: **29/547,004**

(22) Filed: **Nov. 30, 2015**

(51) **LOC (10) Cl.** ..... **16-05**

(52) **U.S. Cl.**  
USPC ..... **D16/245**

(58) **Field of Classification Search**  
USPC ..... D16/237, 242-245, 202, 203, 241, 207;  
D8/354, 355, 363; 396/419, 420, 428;  
D12/114, 223  
CPC ..... F16M 11/14; F16M 11/041; F16M 11/04;  
F16M 11/2078; F16M 11/28; F16M  
11/2021; F16M 11/12; F16M  
11/10; F16M 2200/022; F16M 2200/027;  
F16M 13/00; F16M 13/02; F16M 13/022;  
G03B 17/561; G03B 17/566; G03B  
17/563; G03B 2215/056; B60R  
2011/0059; B60R 2011/008; B60R 11/02  
See application file for complete search history.

(56) **References Cited**

**U.S. PATENT DOCUMENTS**

D158,252 S *	4/1950	Du Mais	.....	D16/241
2,506,878 A	5/1950	Kraus		
D191,105 S *	8/1961	Lindenmeyer	.....	D16/244
D323,339 S *	1/1992	Ishikawa	.....	D16/245
D470,527 S *	2/2003	Oliver	.....	D16/242
D565,938 S *	4/2008	Massoumi	.....	D8/363
D579,319 S *	10/2008	Short	.....	D8/354

D658,040 S *	4/2012	Ghatikar	.....	D8/354
D681,421 S *	5/2013	Bucci	.....	D8/354
D709,547 S *	7/2014	Greenthal	.....	D16/245
D712,957 S *	9/2014	Kessler	.....	D16/245
2008/0067298 A1 *	3/2008	Mossman	.....	F16M 11/10 248/125.9

2008/0277540 A1	11/2008	Heibel		
2009/0056153 A1	3/2009	Tippett et al.		
2011/0129210 A1	6/2011	McGucken		

(Continued)

**FOREIGN PATENT DOCUMENTS**

CN	202025184	11/2011
CN	102608843	7/2012

(Continued)

**OTHER PUBLICATIONS**

Search Report for GB1417275.3 dated Mar. 26, 2015.  
International Search Report and Written Opinion for PCT/GB2015/  
052765 dated Dec. 22, 2015.

*Primary Examiner* — Susan Bennett Hattan

*Assistant Examiner* — Brett Miller

(74) *Attorney, Agent, or Firm* — Andrus Intellectual  
Property Law, LLP

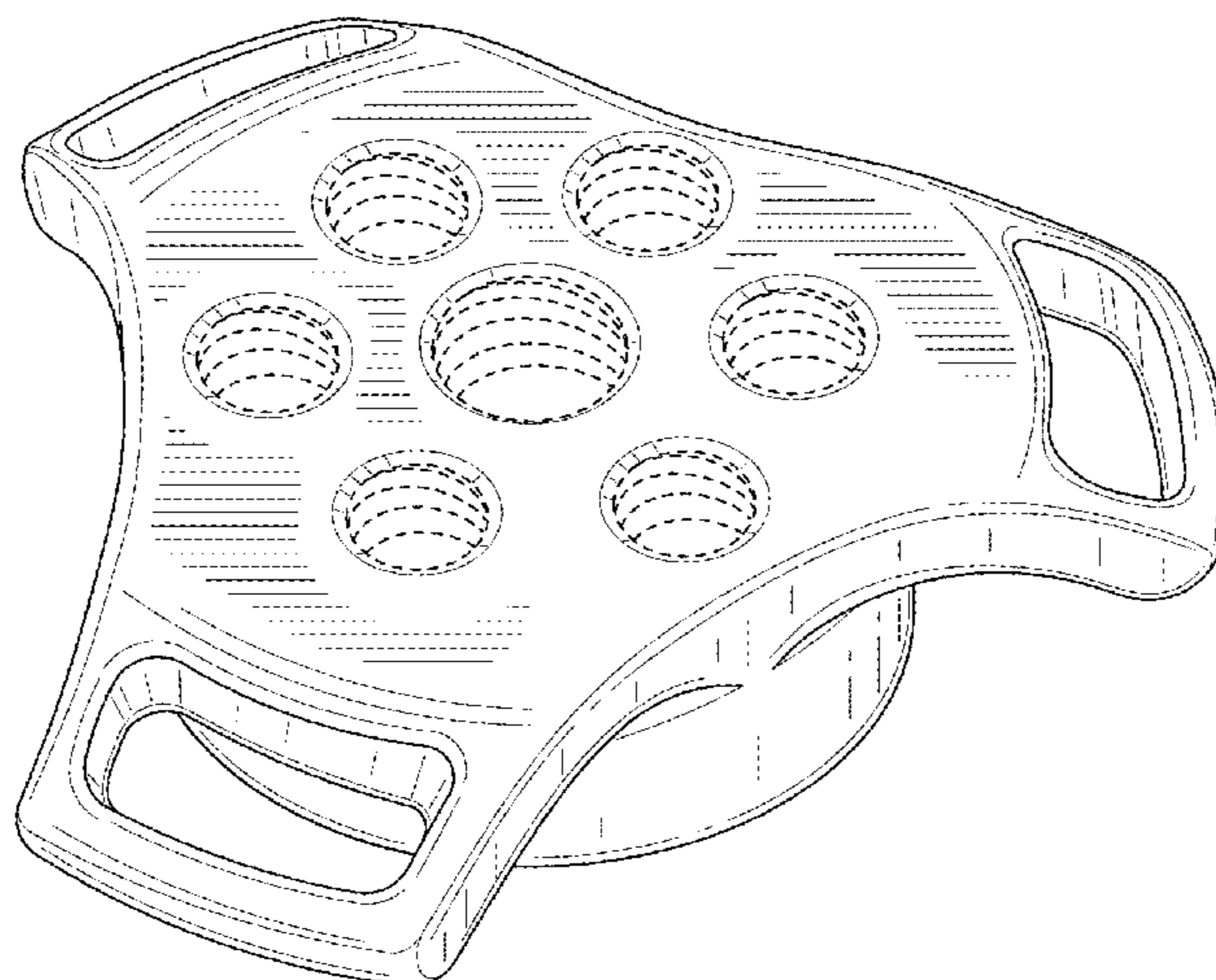
(57) **CLAIM**

The ornamental design for an mount for cameras and  
cinematographic apparatus, as shown and described.

**DESCRIPTION**

FIG. 1 is a front perspective view of an accessory according  
to my new and ornamental design;  
FIG. 2 is a top view thereof;  
FIG. 3 is a bottom view thereof;  
FIG. 4 is a rear view thereof;  
FIG. 5 is a front view thereof;  
FIG. 6 is a front left view thereof; and,  
FIG. 7 is a front right view thereof.

**1 Claim, 5 Drawing Sheets**



(56)

**References Cited**

U.S. PATENT DOCUMENTS

2013/0134268 A1 5/2013 Wessells et al.  
2013/0221189 A1\* 8/2013 Kubin ..... F16M 11/041  
248/683  
2014/0299738 A1\* 10/2014 Runger ..... F16M 11/12  
248/661  
2016/0150861 A1\* 6/2016 Yao ..... F16M 11/041  
224/245

FOREIGN PATENT DOCUMENTS

CN 203732874 7/2014  
DE 3441225 5/1986  
JP 01316732 12/1989

\* cited by examiner

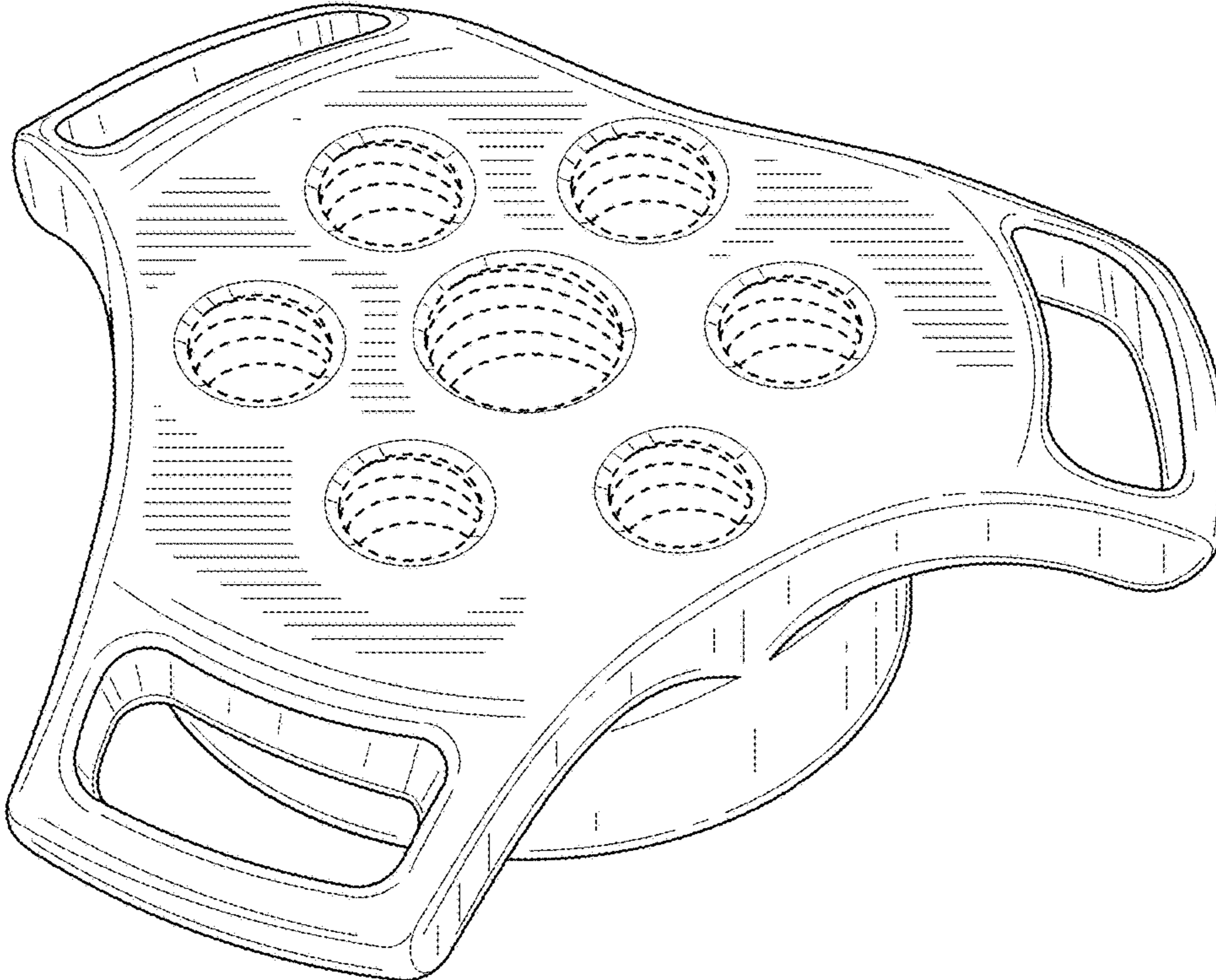


FIG. 1

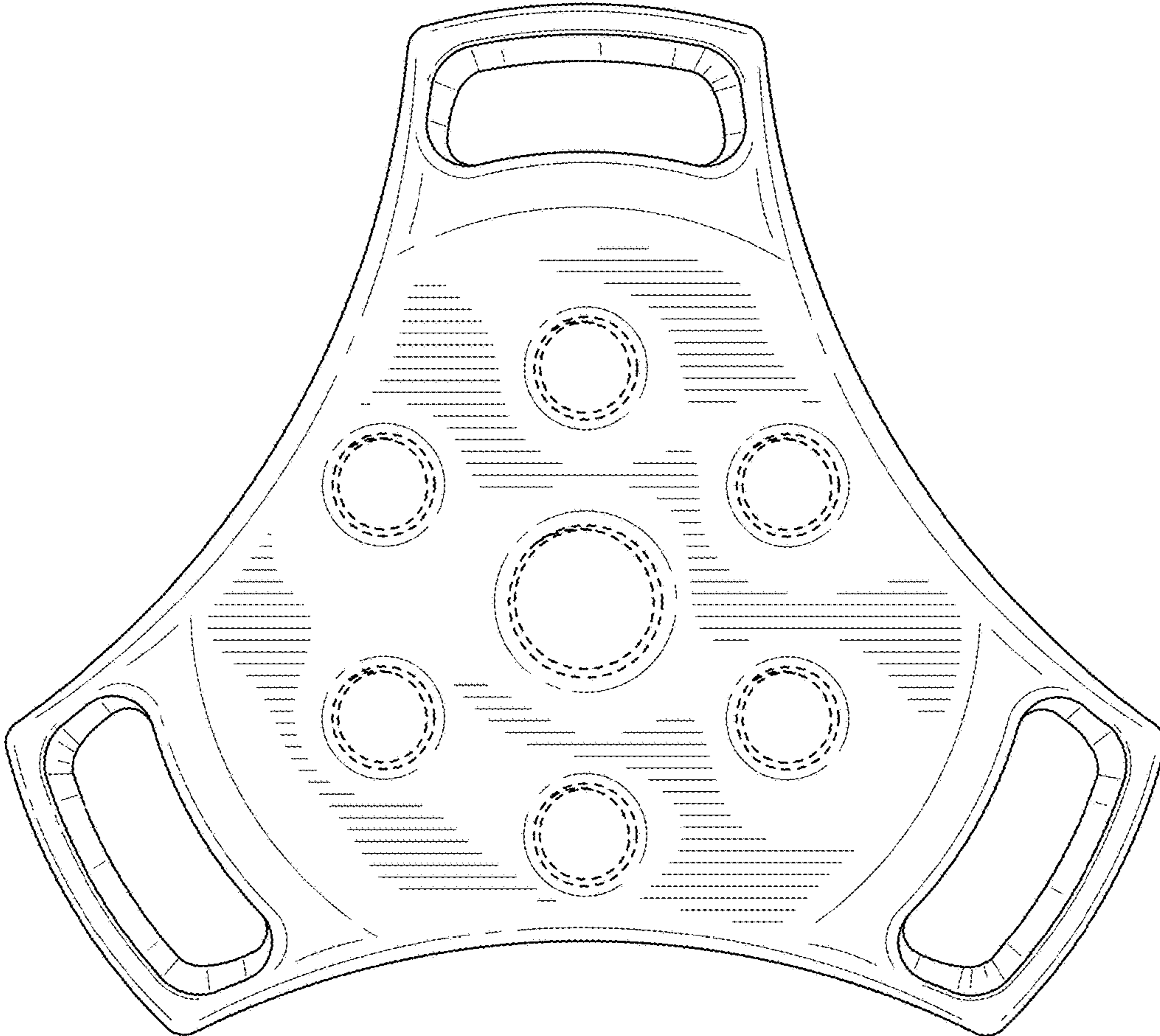


FIG. 2



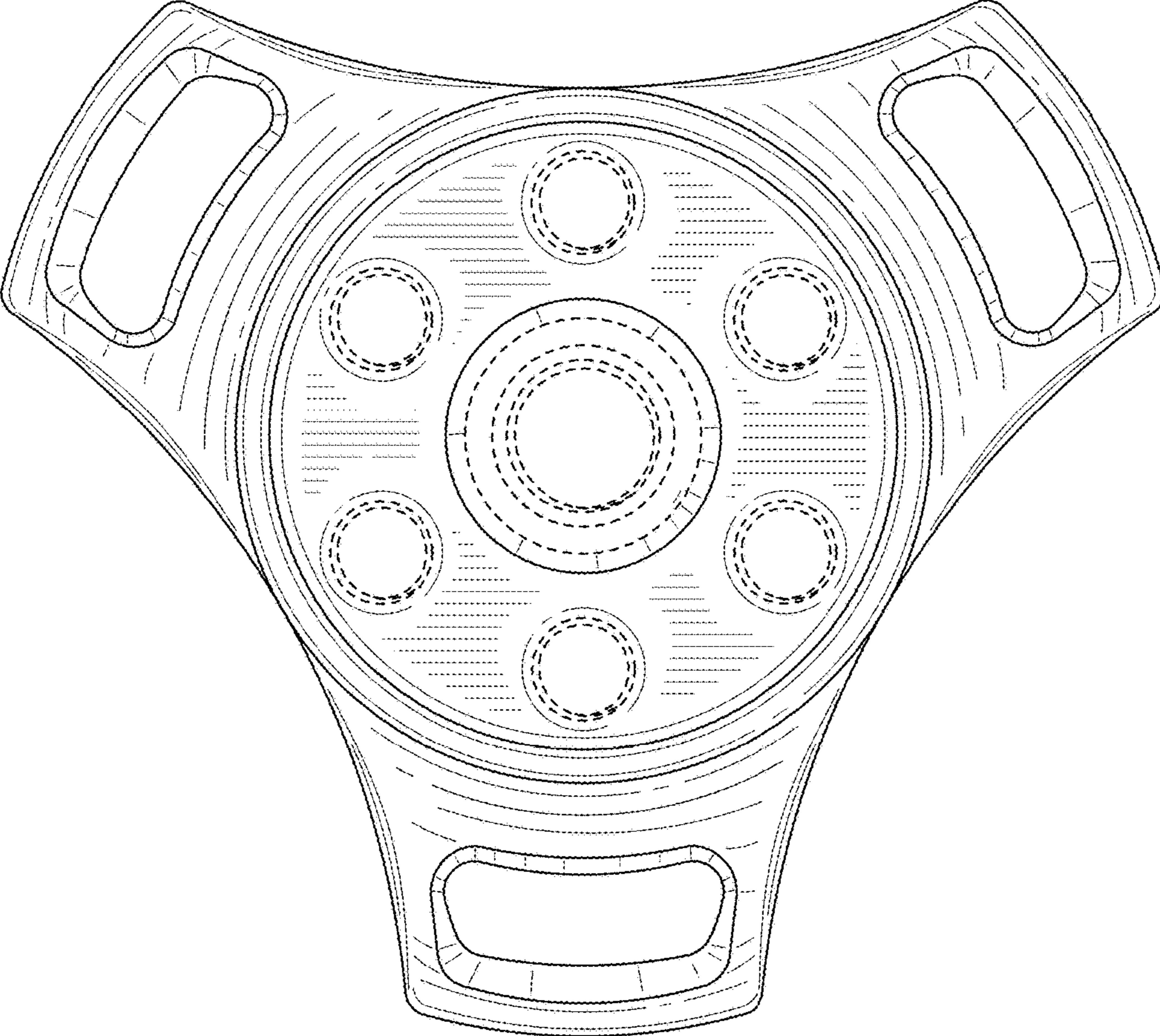


FIG. 3

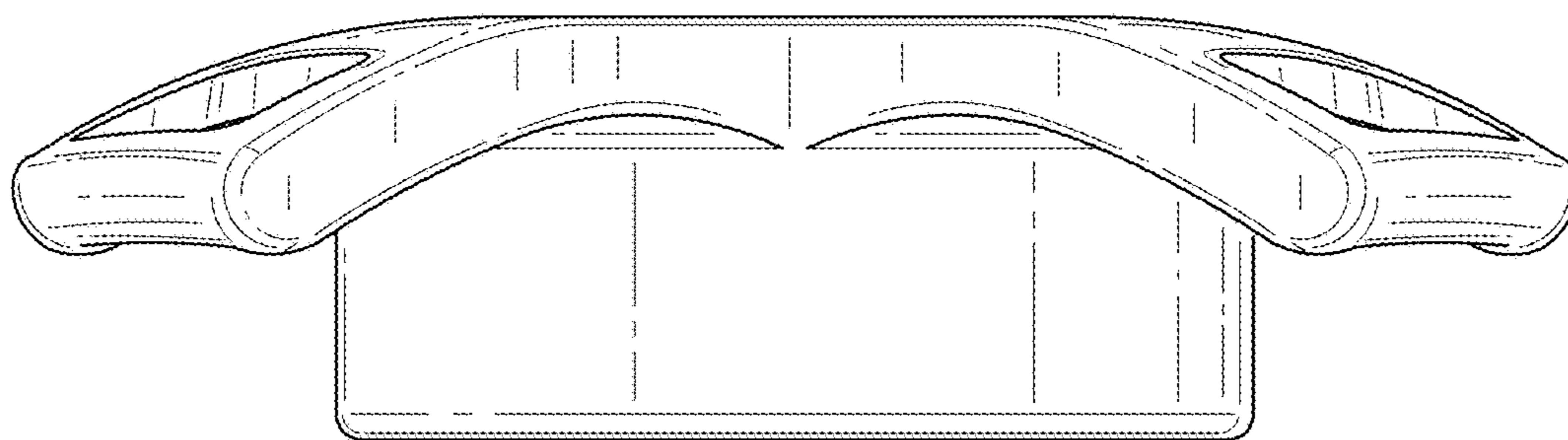


FIG. 4

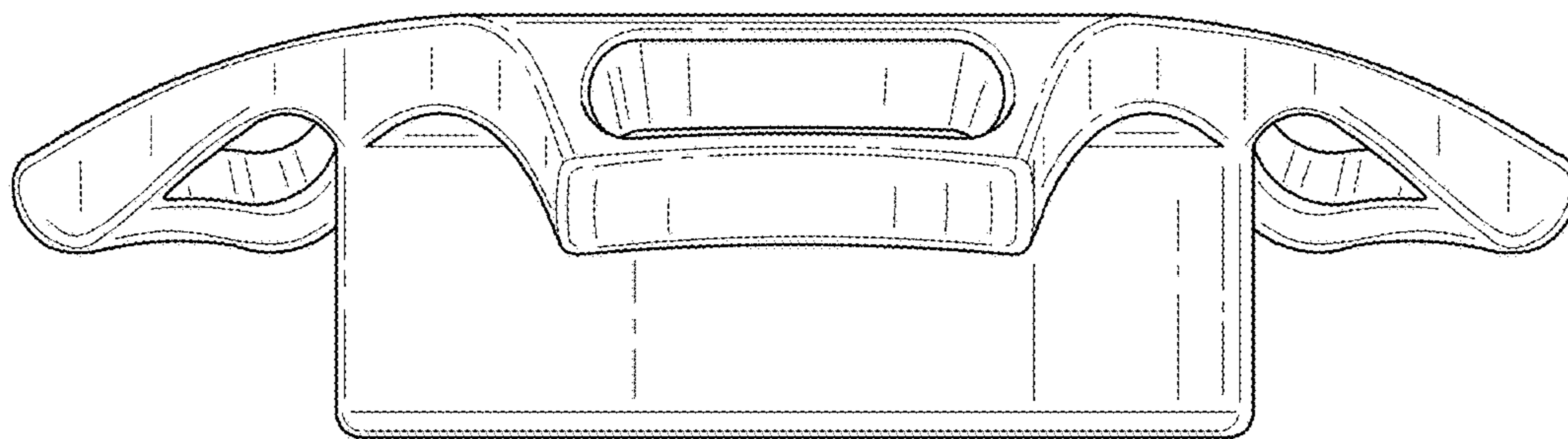


FIG. 5

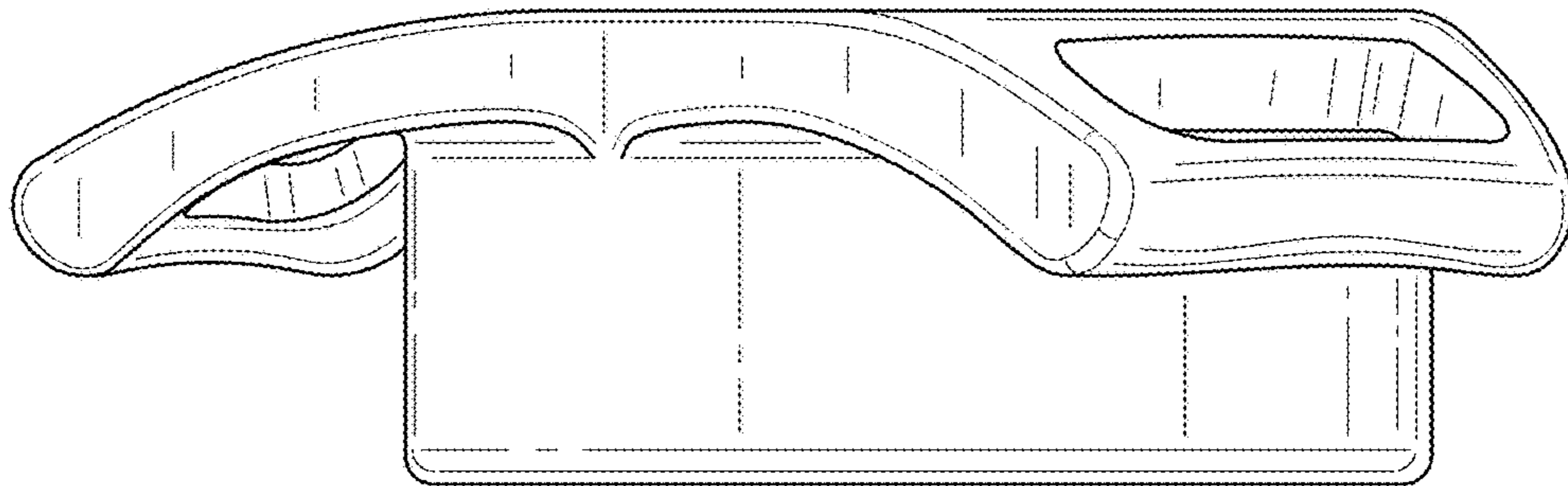


FIG. 6

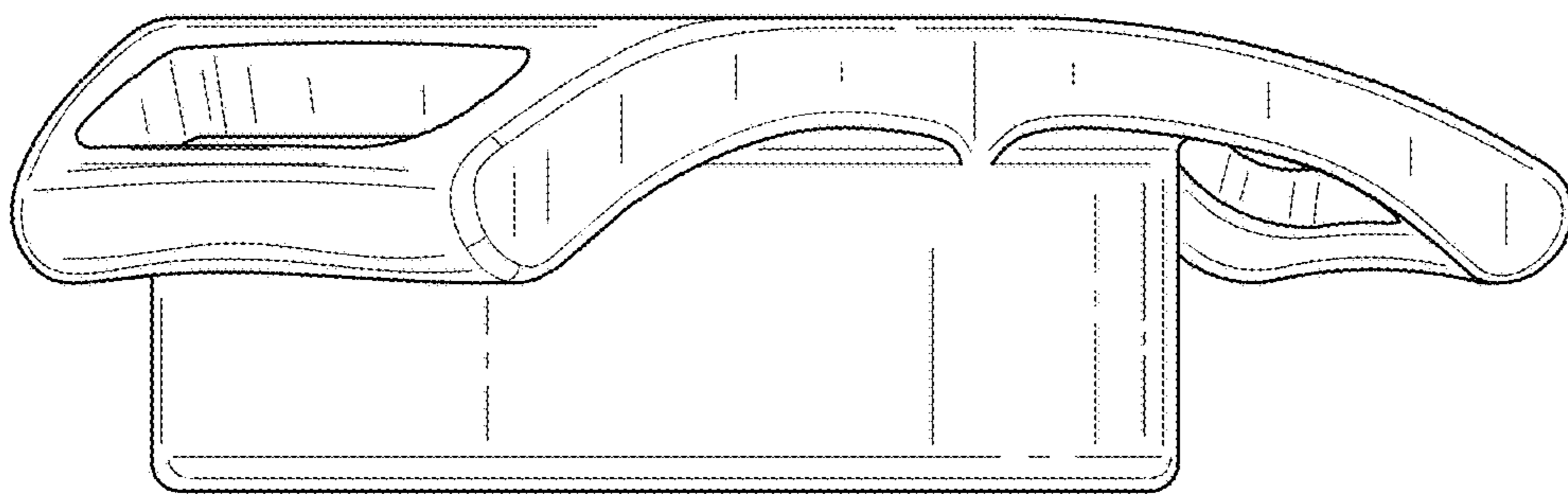


FIG. 7