



US00D776746S

(12) **United States Design Patent**
Bennett et al.

(10) **Patent No.:** **US D776,746 S**
(45) **Date of Patent:** **** Jan. 17, 2017**

(54) **SHORT BITE MOUNT**

(71) Applicant: **GoPro, Inc.**, San Mateo, CA (US)

(72) Inventors: **Eric McCallister Bennett**, Foster City, CA (US); **Travis Eastman Pynn**, Moss Beach, CA (US); **Nicholas D. Woodman**, Woodside, CA (US); **Joshua Todd Druker**, Redwood City, CA (US)

(73) Assignee: **GoPro, Inc.**, San Mateo, CA (US)

(**) Term: **15 Years**

(21) Appl. No.: **29/532,518**

(22) Filed: **Jul. 7, 2015**

(51) **LOC (10) Cl.** **16-05**

(52) **U.S. Cl.**
USPC **D16/242**

(58) **Field of Classification Search**
USPC D16/135, 206, 219, 235, 237-245, 250;
D14/251, 253; D8/107, 303, 354, 355,
D8/356, 363, 367, 373, 380, 383, 387,
D8/394, 396; D24/110, 110.1, 110.4,
D24/110.5, 127, 164, 180, 181
CPC G03B 17/56; G03B 17/561-17/568;
G02B 7/00-7/002; H04N 5/2253-5/2254;
F16M 11/04-11/12

See application file for complete search history.

(56) **References Cited**

U.S. PATENT DOCUMENTS

D458,998 S	*	6/2002	Tolan	D24/181
D582,559 S	*	12/2008	Khawaled	D24/181
D713,531 S	*	9/2014	Way	D24/181
D719,266 S	*	12/2014	Goldstein	D24/180

(Continued)

OTHER PUBLICATIONS

New Gopro Accessories Surfing Skating Shoot Dummy Bite Mouth Mount For Gopro Hero 4S/4/3+/3/2/1 Sport Camera Accessories. [online] Retrieved Sep. 27, 2016 from URL: <<https://www.aliexpress.com/item/NewGoproAccessoriesSurfingSkatingShootDummyBiteMouthMountForGoproHero4S43/32664455091.html>>.*

aliexpress.com/item/NewGoproAccessoriesSurfingSkatingShootDummyBiteMouthMountForGoproHero4S43/32664455091.html>.*

Primary Examiner — Vy Koenig

(74) *Attorney, Agent, or Firm* — Fenwick & West LLP

(57) **CLAIM**

The ornamental design for a short bite mount, as shown and described.

DESCRIPTION

FIG. 1 is a rear, top and left side perspective view of a short bite mount showing our new design according to a first embodiment;

FIG. 2 is a front, top and right side perspective view thereof; FIG. 3 is a front, bottom and left side perspective view thereof;

FIG. 4 is a rear, bottom and right side perspective view thereof;

FIG. 5 is a rear elevational view thereof;

FIG. 6 is a front elevational view thereof;

FIG. 7 is a right side elevational view thereof;

FIG. 8 is a left side elevational view thereof;

FIG. 9 is a top plan view thereof;

FIG. 10 is a bottom plan view thereof.

FIG. 11 is a rear, top and left side perspective view of a short bite mount showing our new design according to a second embodiment;

FIG. 12 is a front, top and right side perspective view thereof;

FIG. 13 is a front, bottom and left side perspective view thereof;

FIG. 14 is a rear, bottom and right side perspective view thereof;

FIG. 15 is a rear elevational view thereof;

FIG. 16 is a front elevational view thereof;

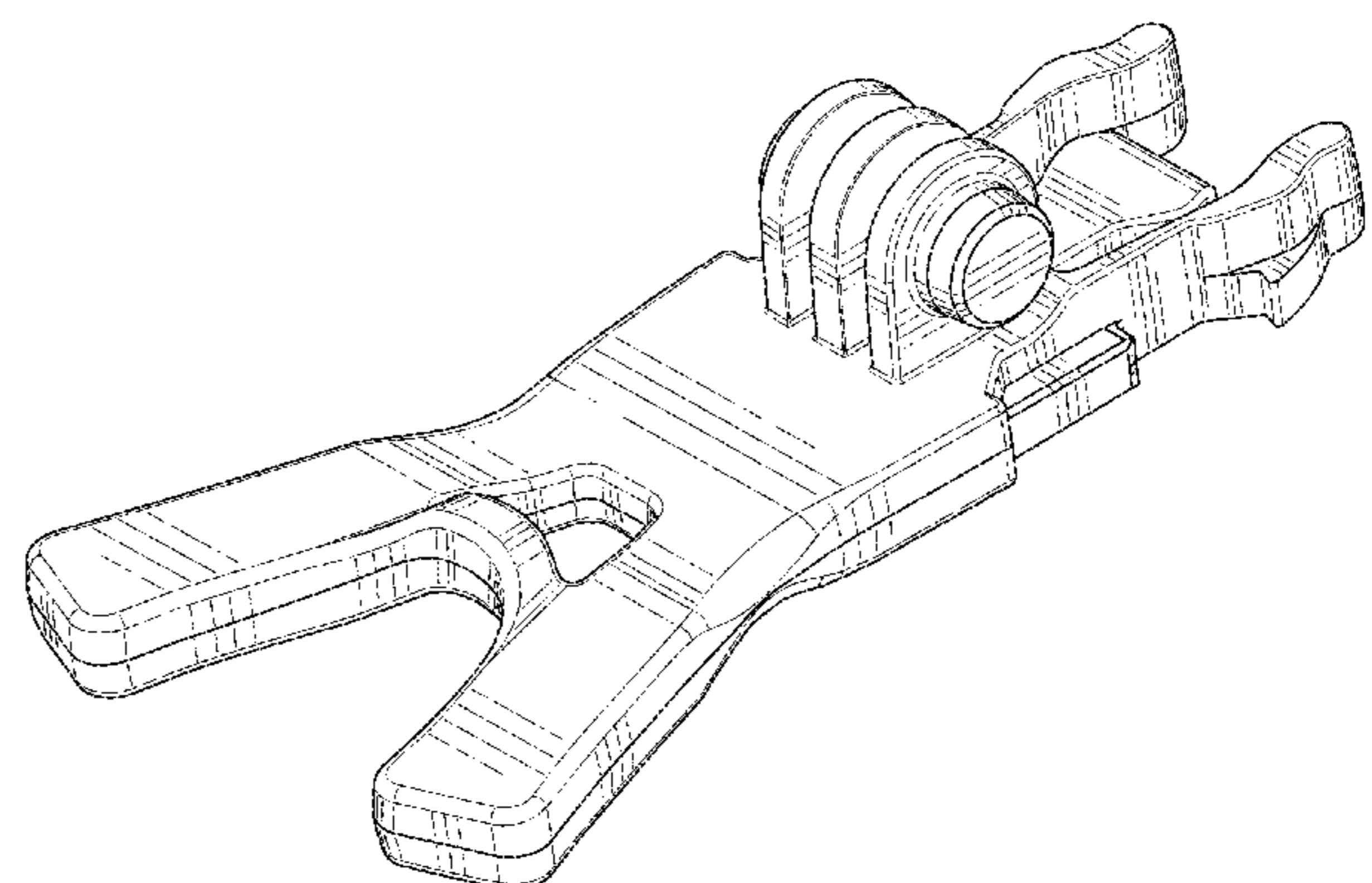
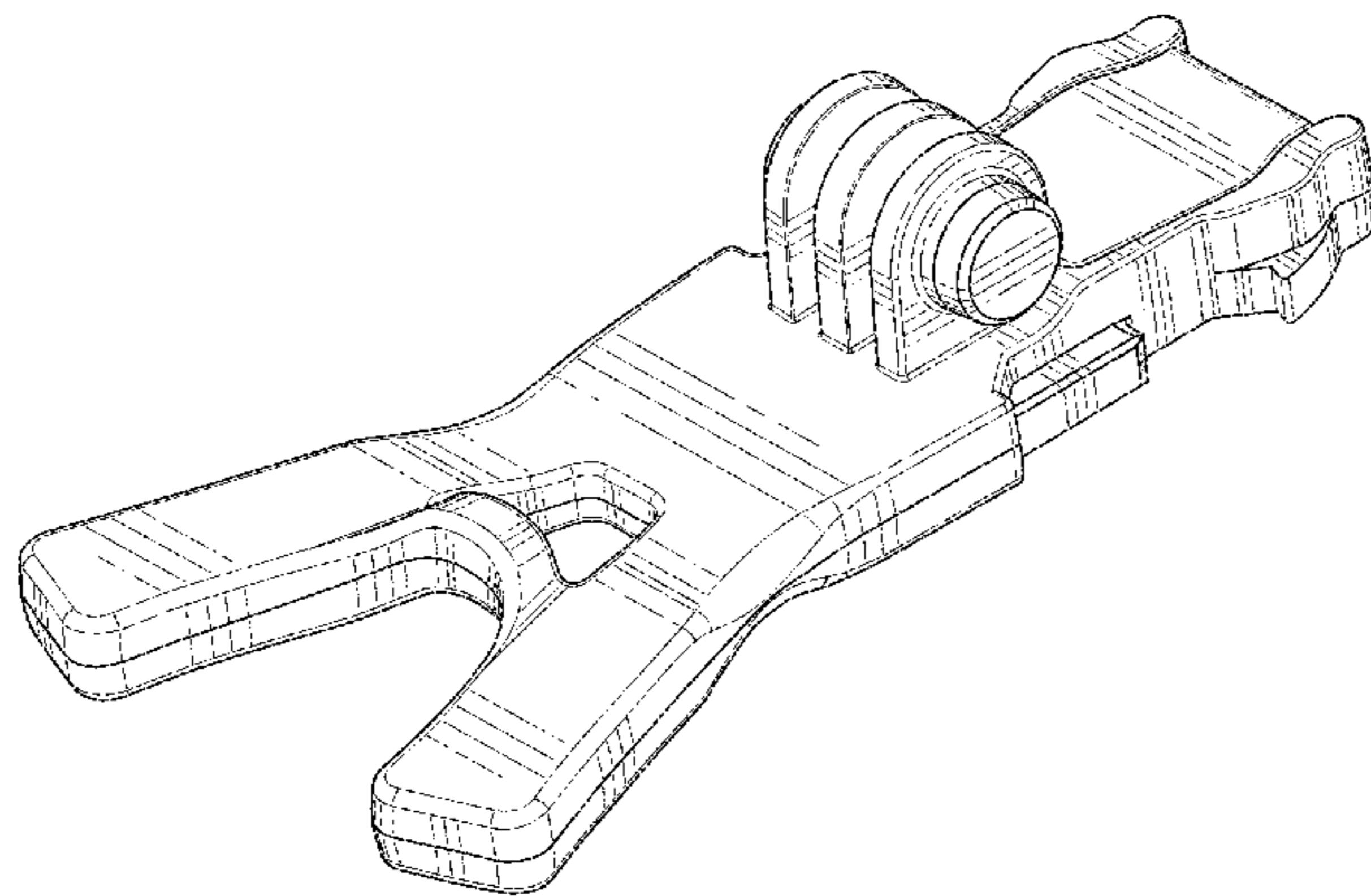
FIG. 17 is a right side elevational view thereof;

FIG. 18 is a left side elevational view thereof;

FIG. 19 is a top plan view thereof; and,

FIG. 20 is a bottom plan view thereof.

1 Claim, 20 Drawing Sheets



(56)

References Cited

U.S. PATENT DOCUMENTS

D721,438	S *	1/2015	Layzell	D24/181
D746,990	S *	1/2016	Goldstein	D24/180
D759,147	S *	6/2016	Harrison	D16/242
9,383,630	B2 *	7/2016	Russell	G03B 17/561
9,426,341	B1 *	8/2016	Baldrige	F16M 11/00
2015/0076184	A1 *	3/2015	Achenbach	G03B 17/561 224/181
2015/0253651	A1 *	9/2015	Russell	G03B 17/561 224/181
2015/0309396	A1 *	10/2015	Rohrer	G03B 17/561 224/181
2015/0316205	A1 *	11/2015	Bennett	F16M 13/04 224/181
2016/0266474	A1 *	9/2016	Russell	F16M 13/04

* cited by examiner

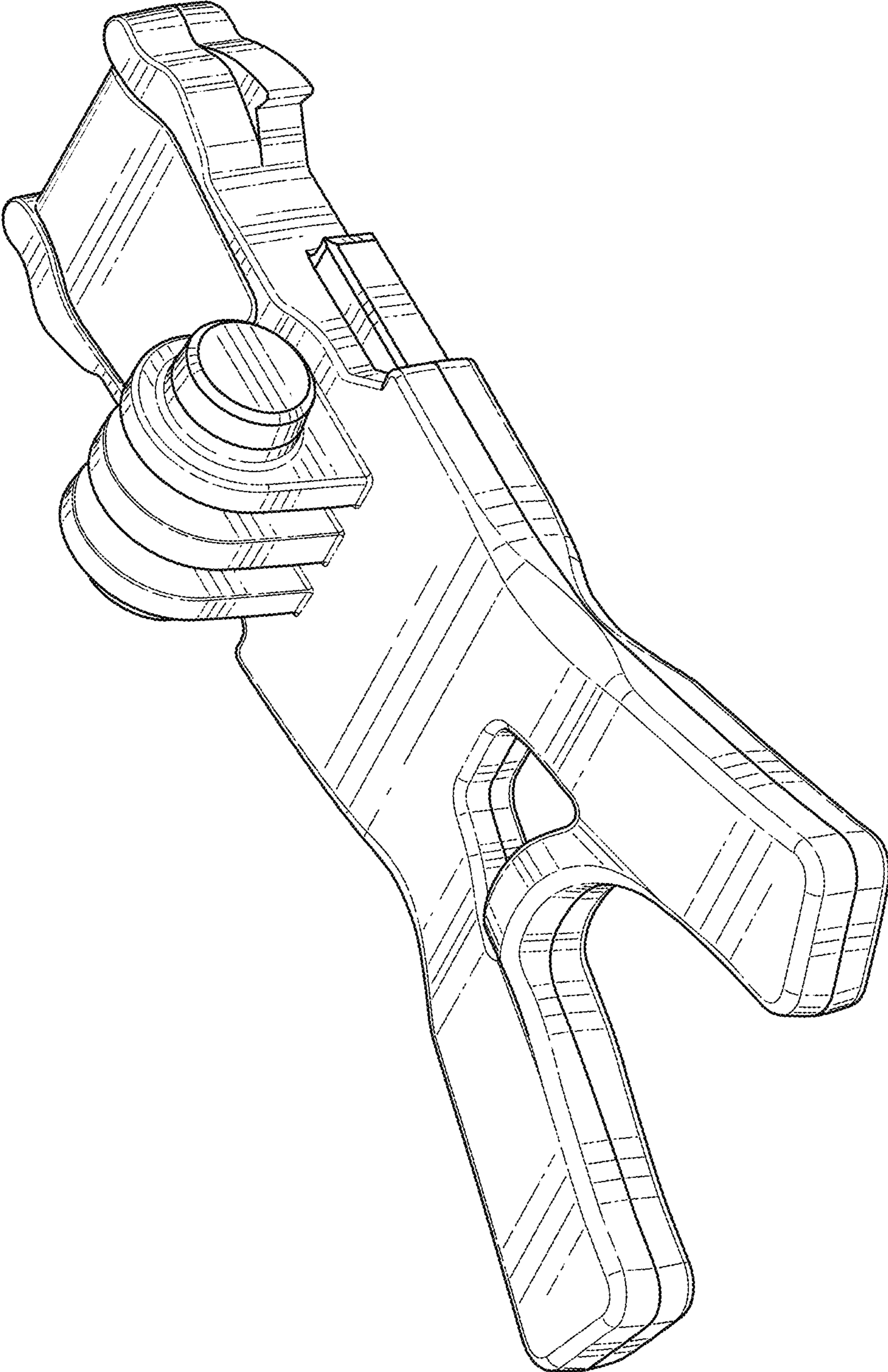


FIG. 1

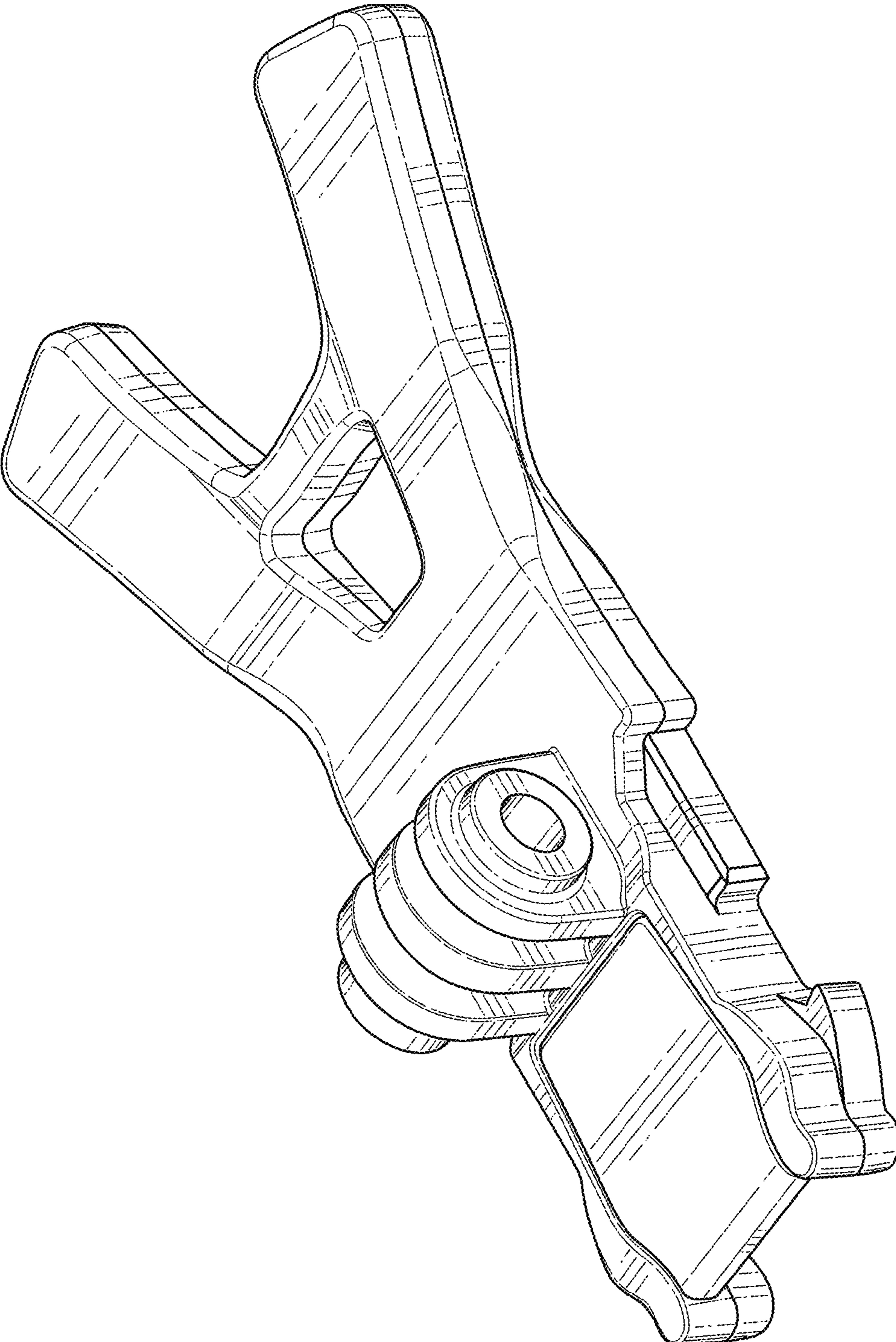


FIG. 2

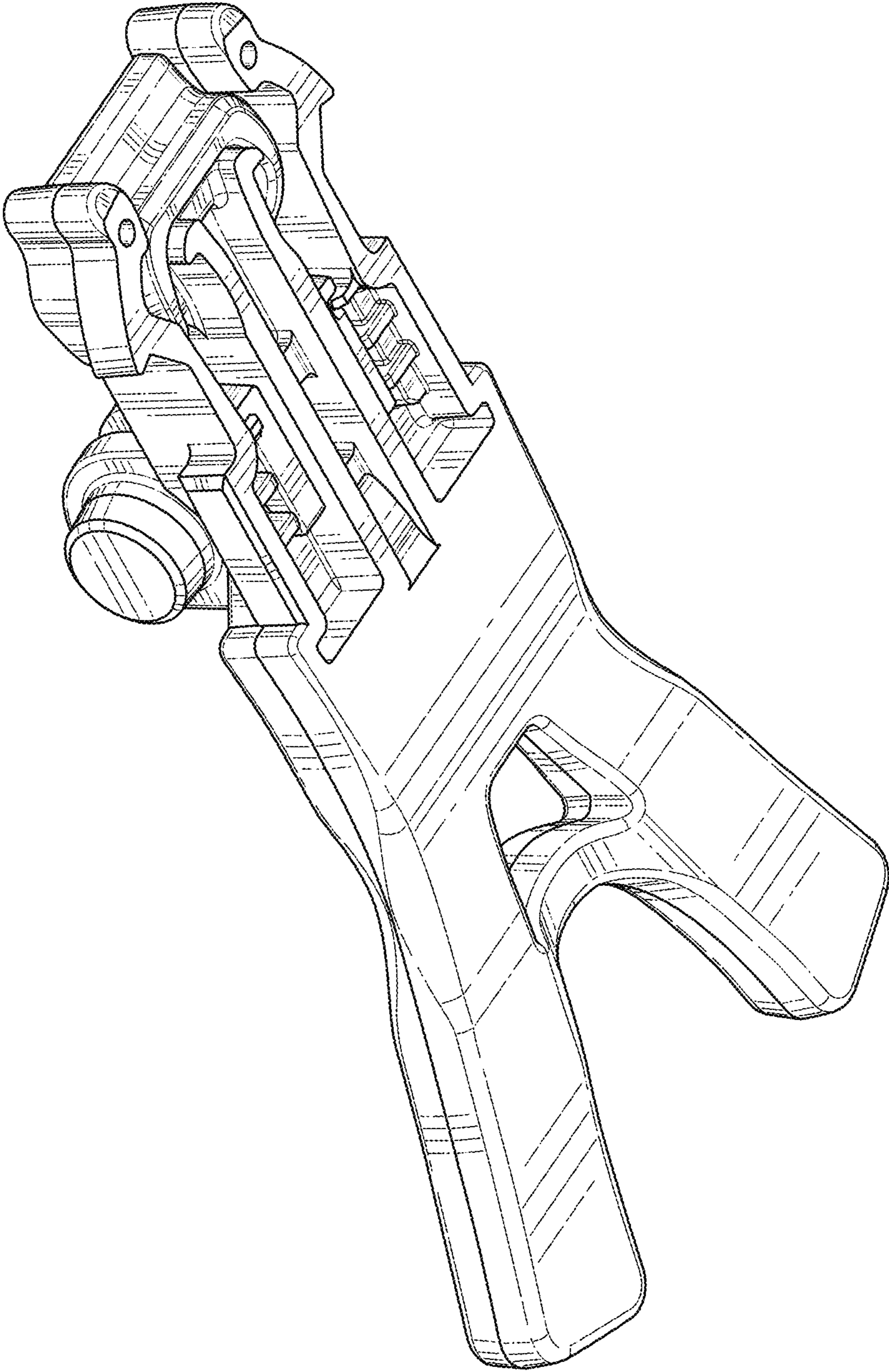


FIG. 3

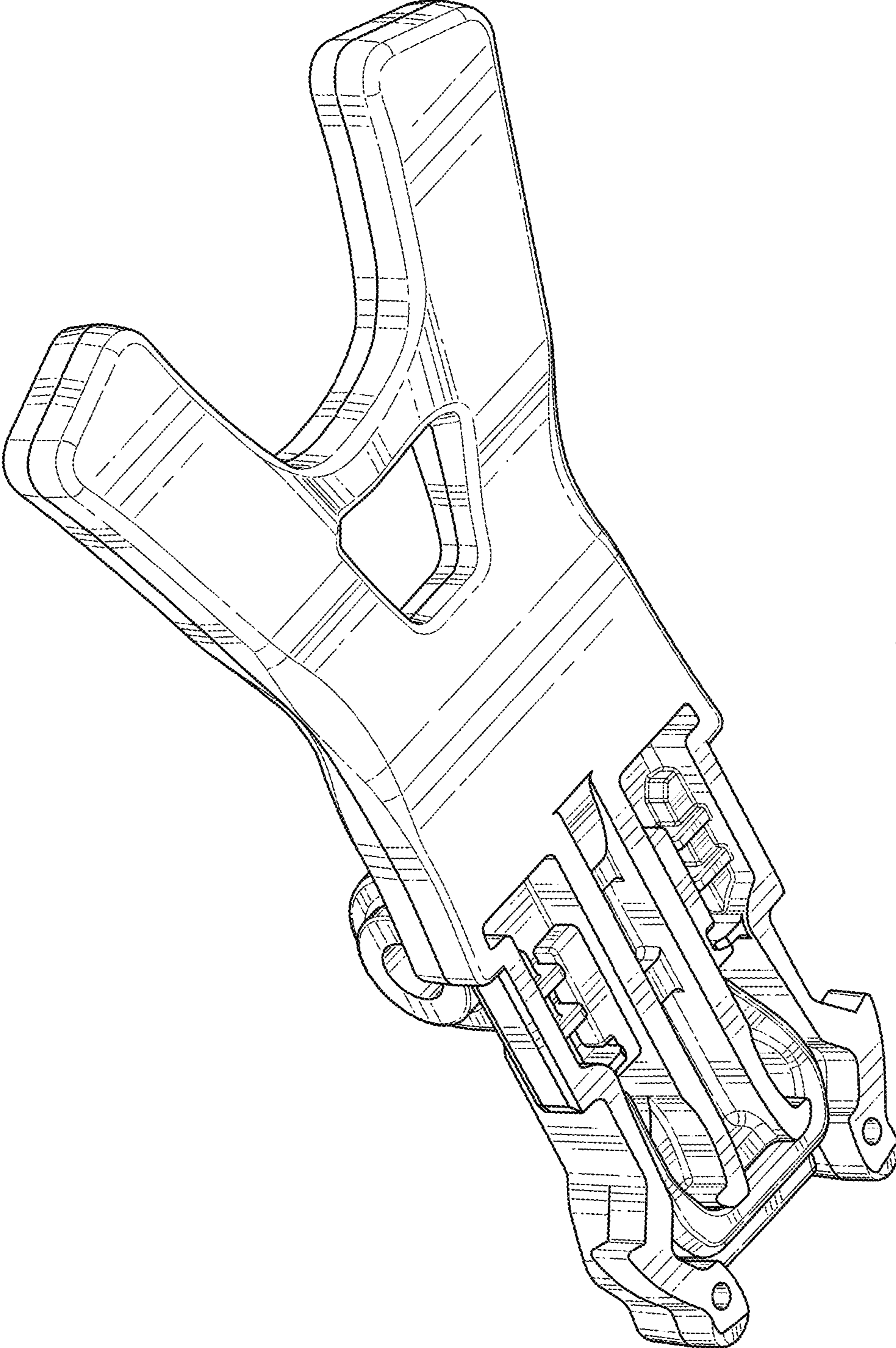


FIG. 4

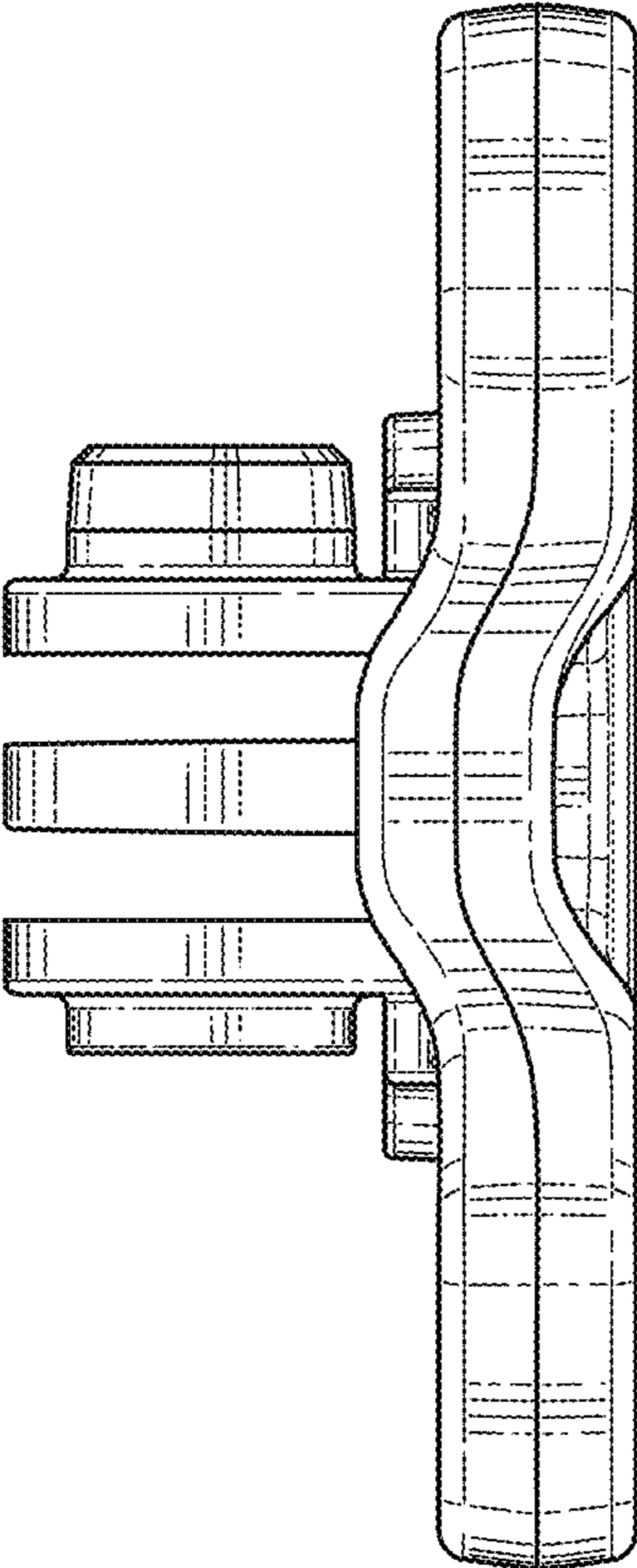


FIG. 5

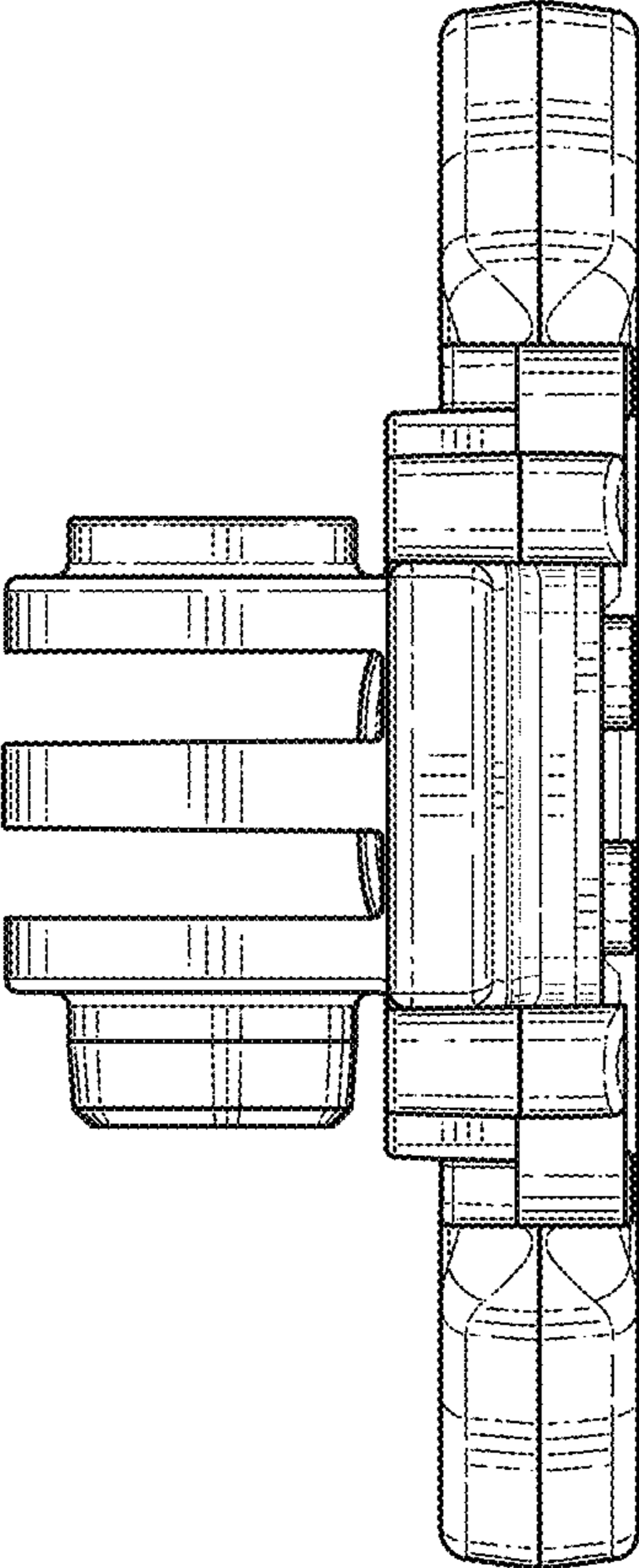


FIG. 6

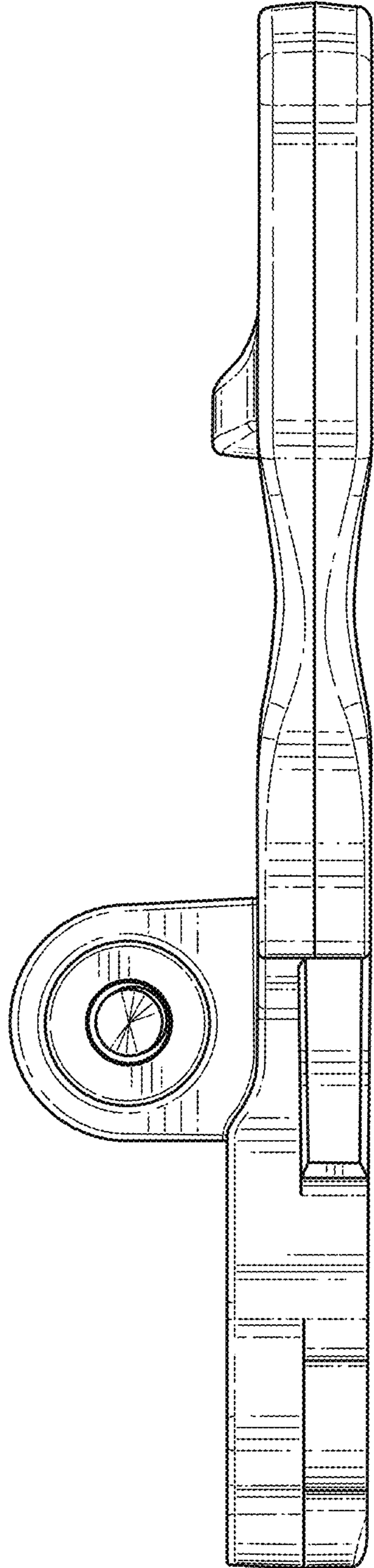


FIG. 7

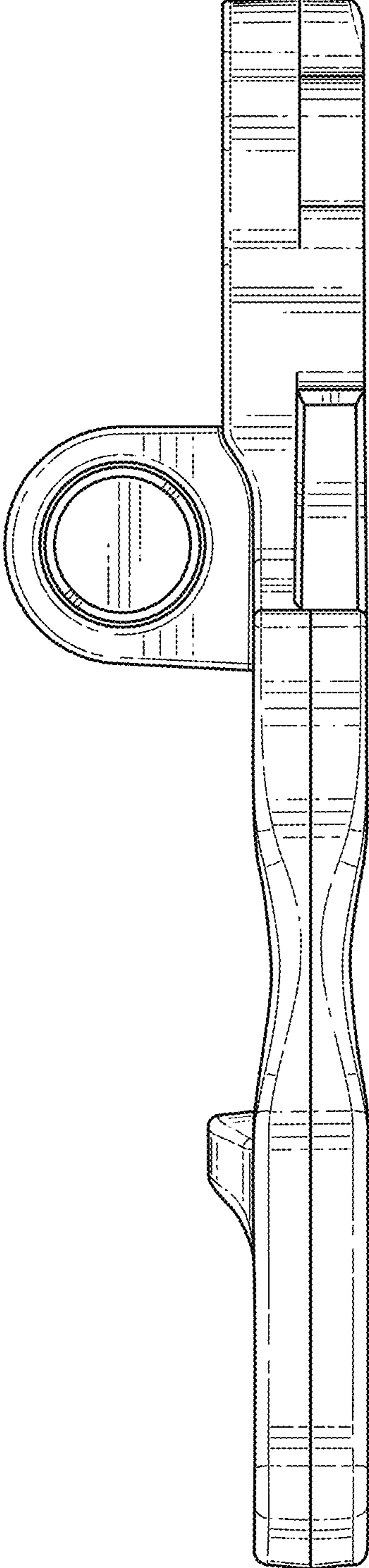


FIG. 8

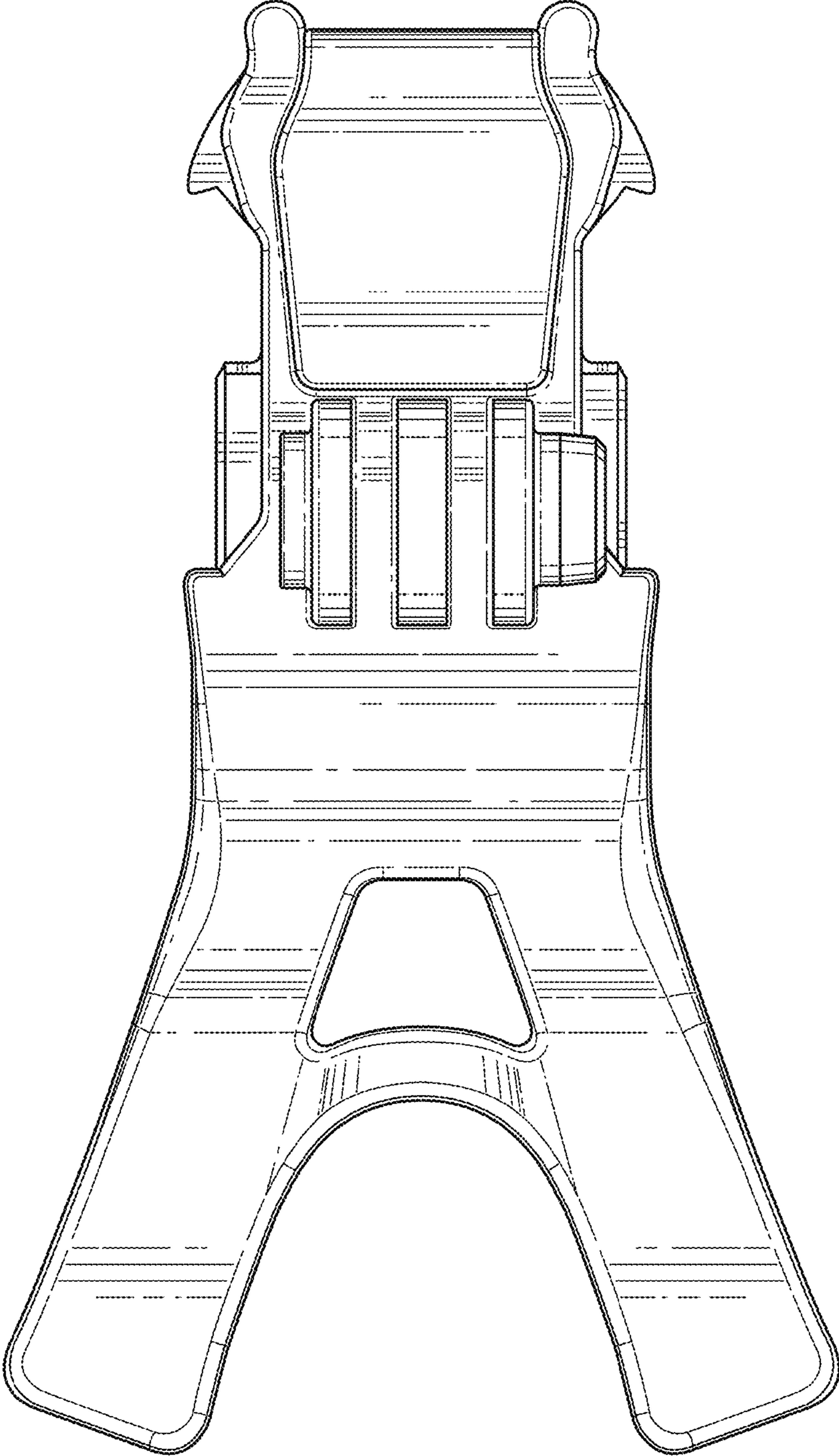


FIG. 9

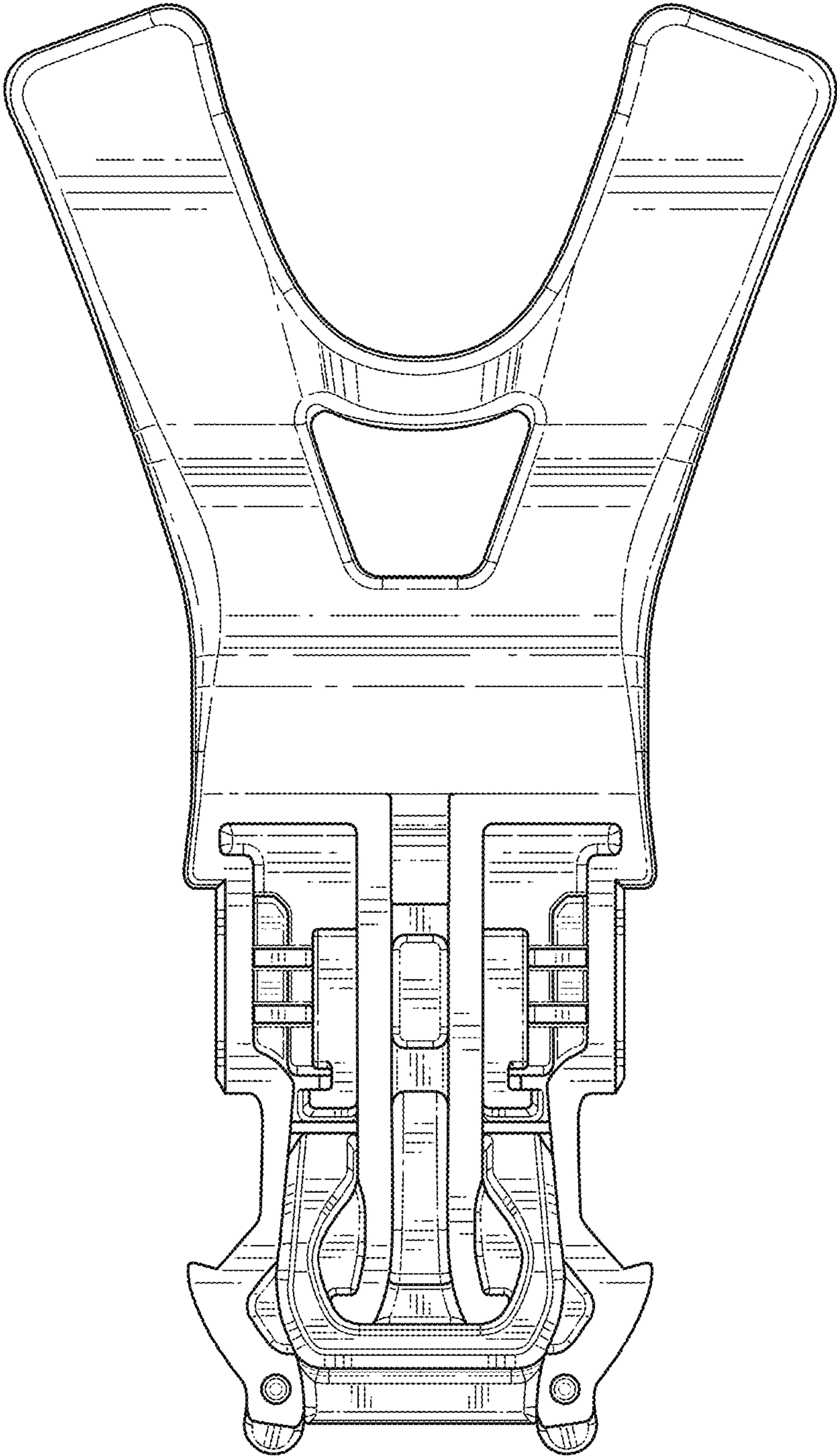


FIG. 10

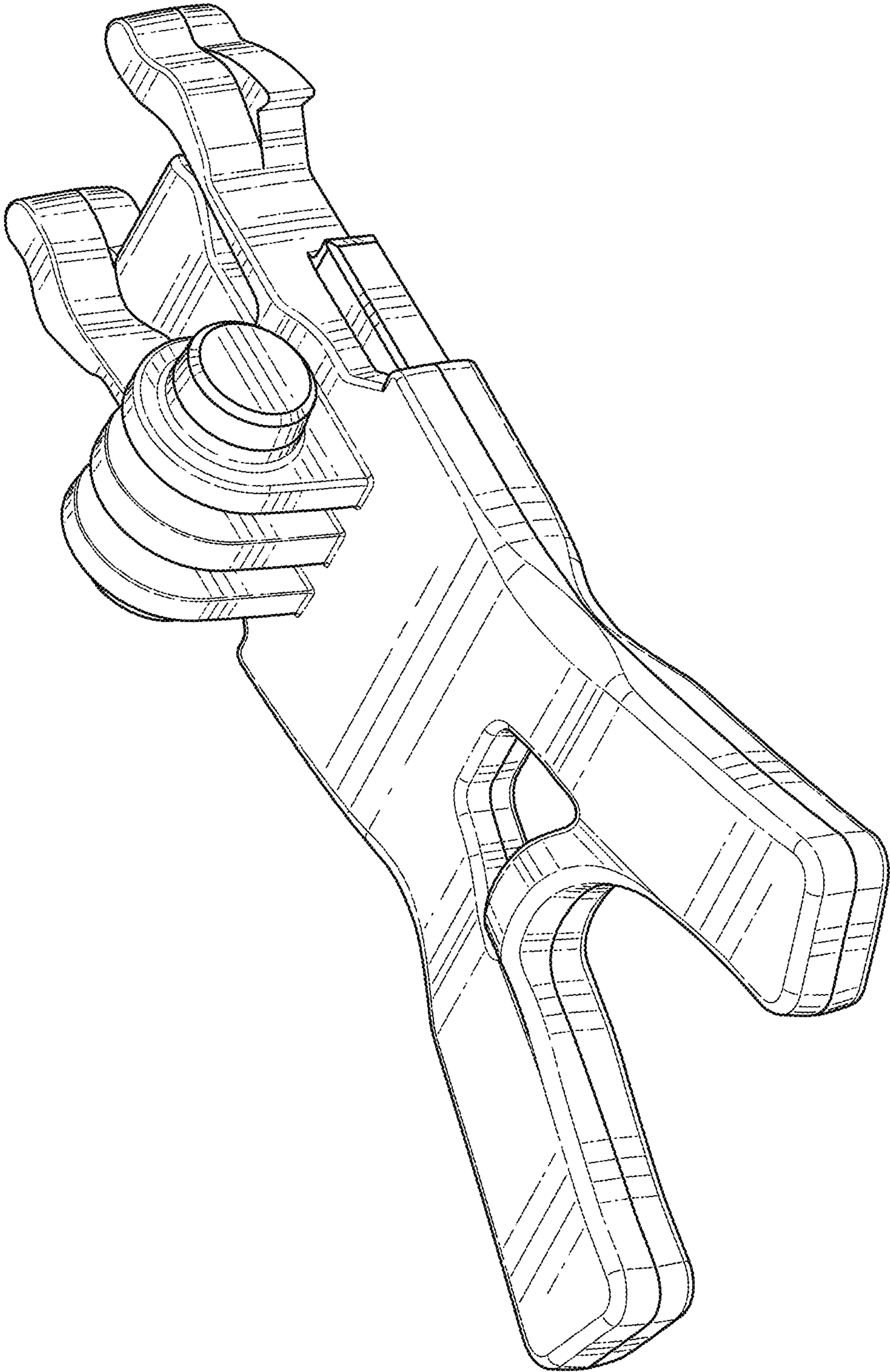


FIG. 11

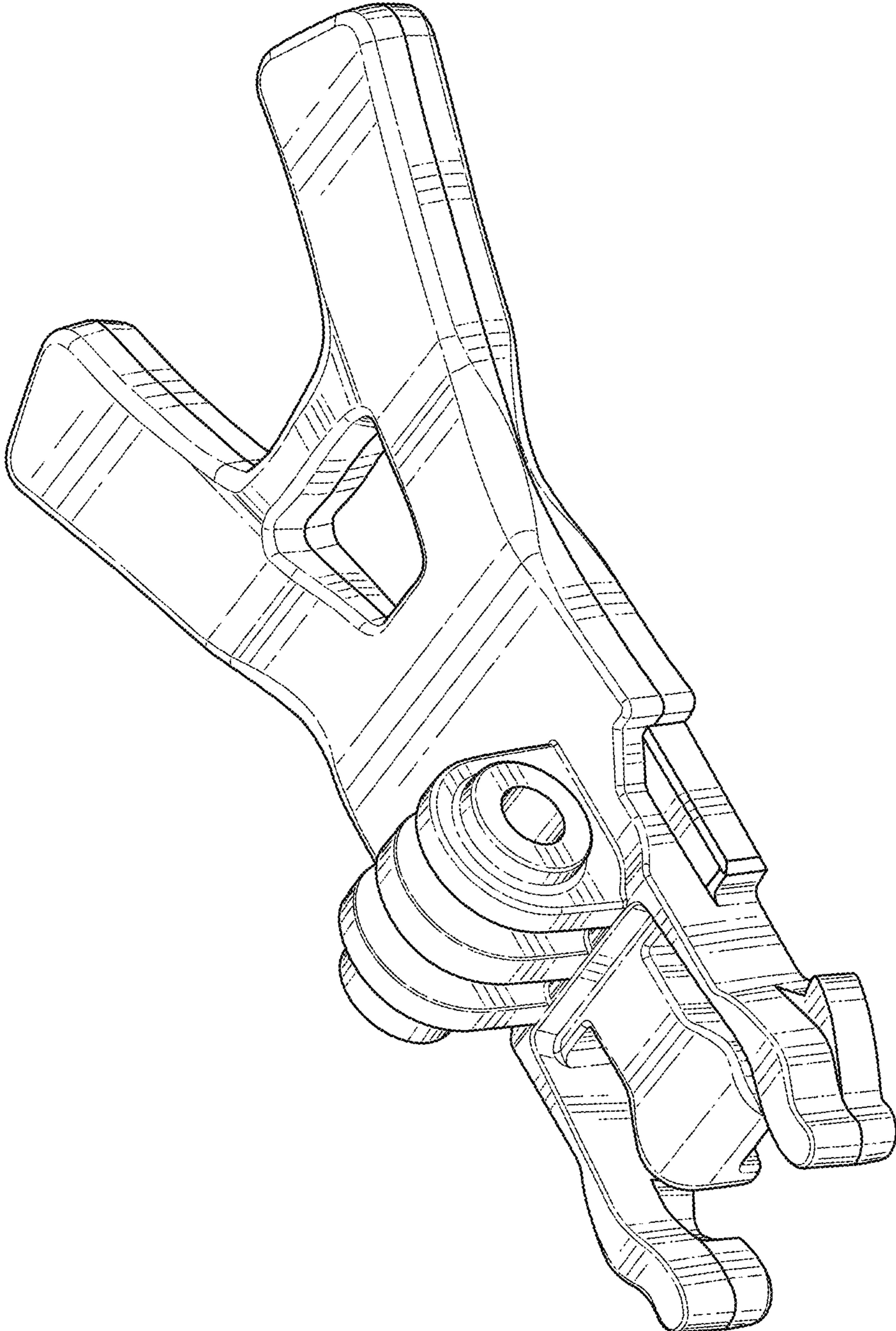


FIG. 12

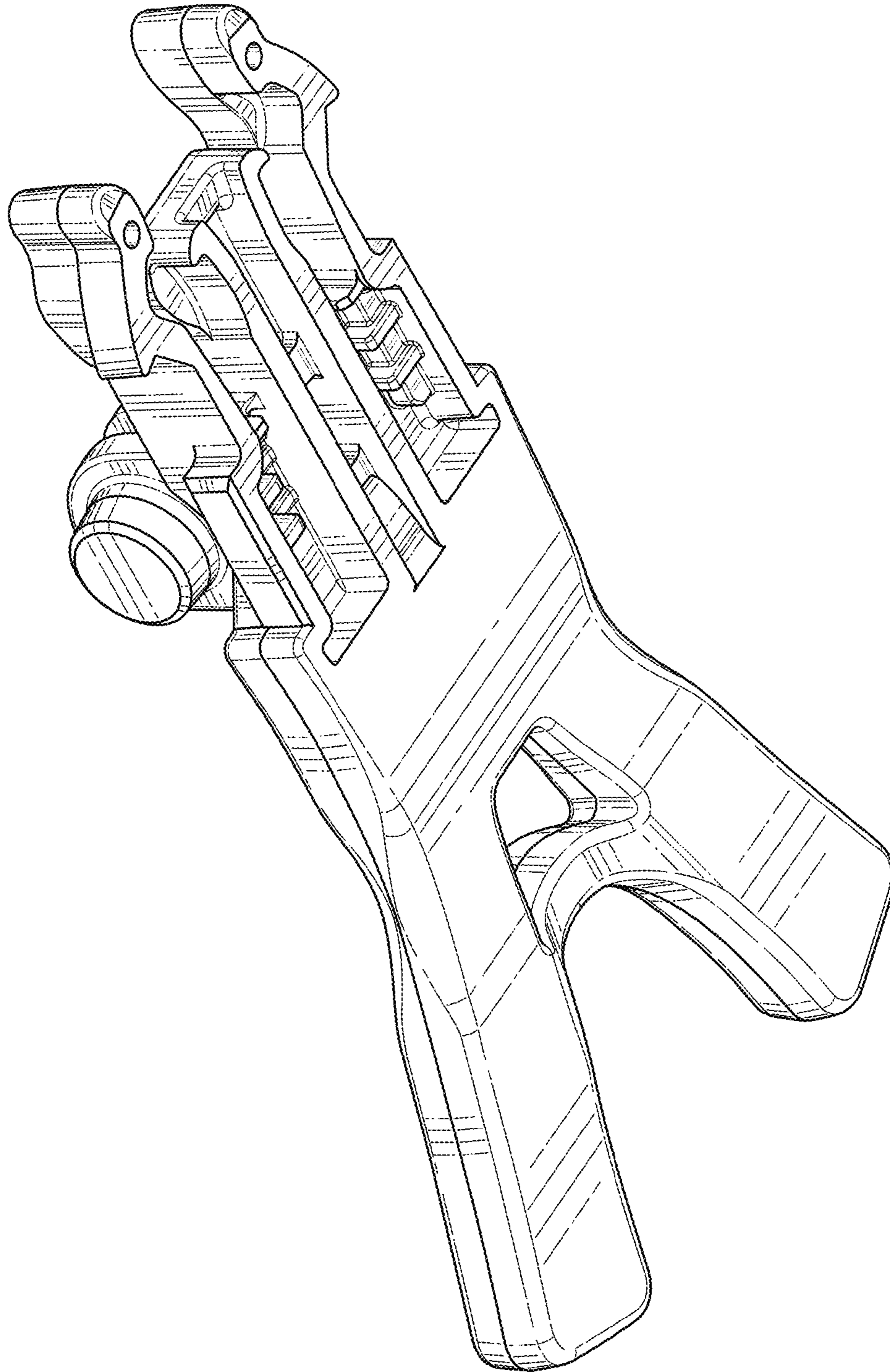


FIG. 13

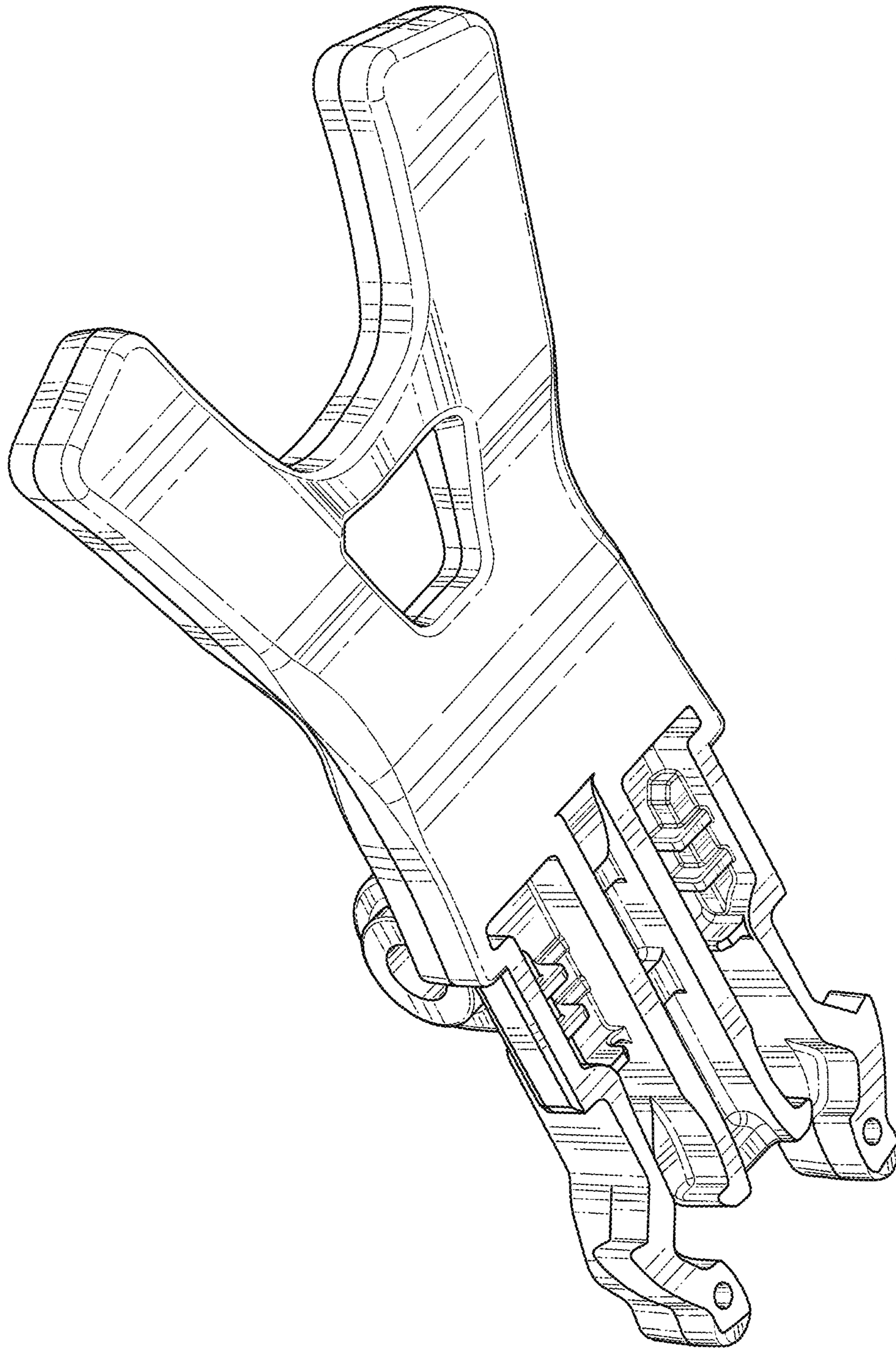


FIG. 14

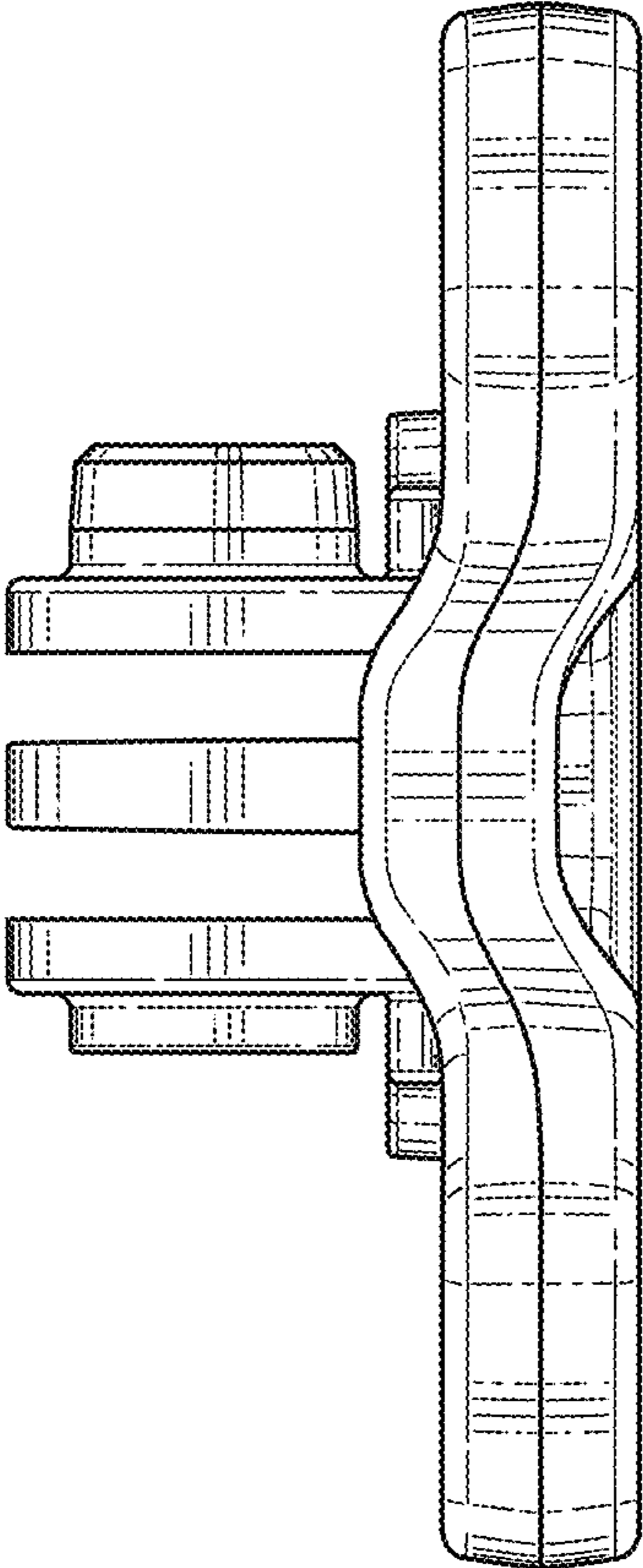


FIG. 15

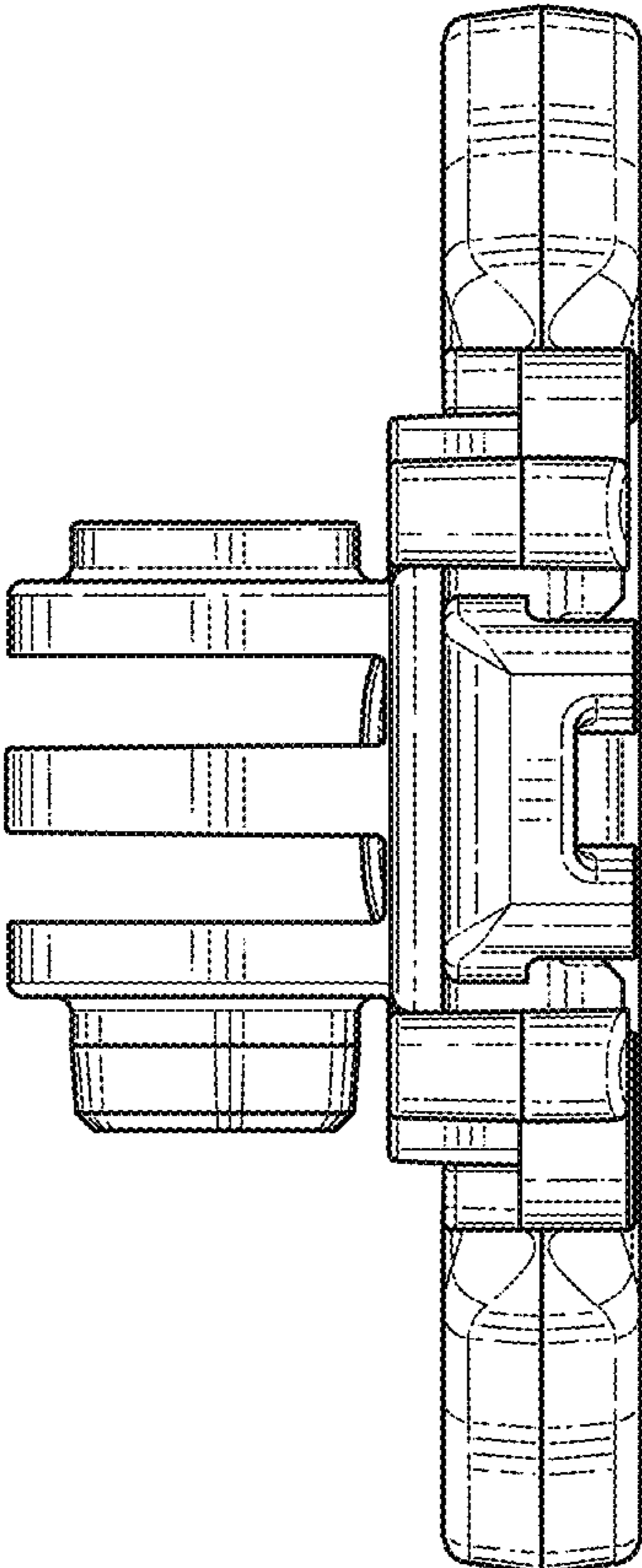


FIG. 16

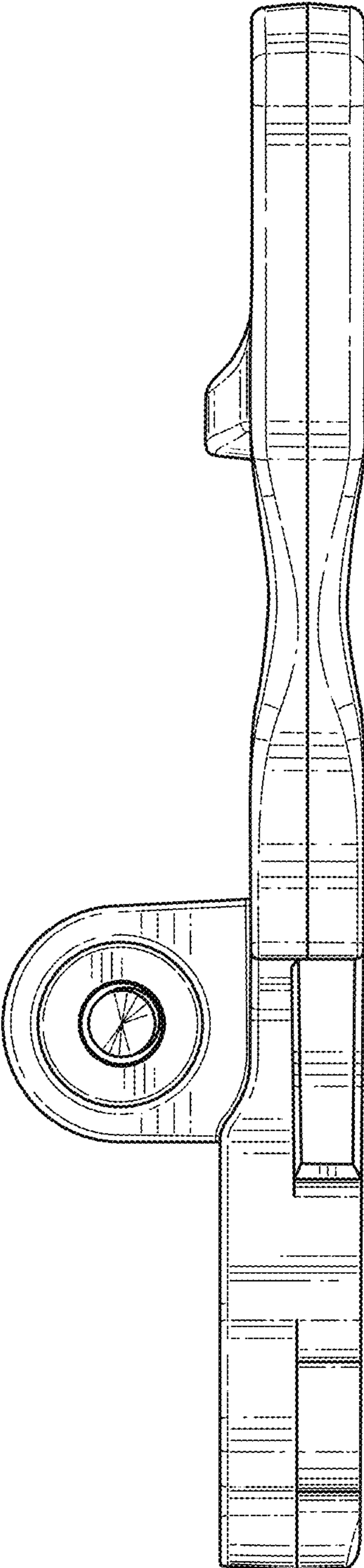


FIG. 17

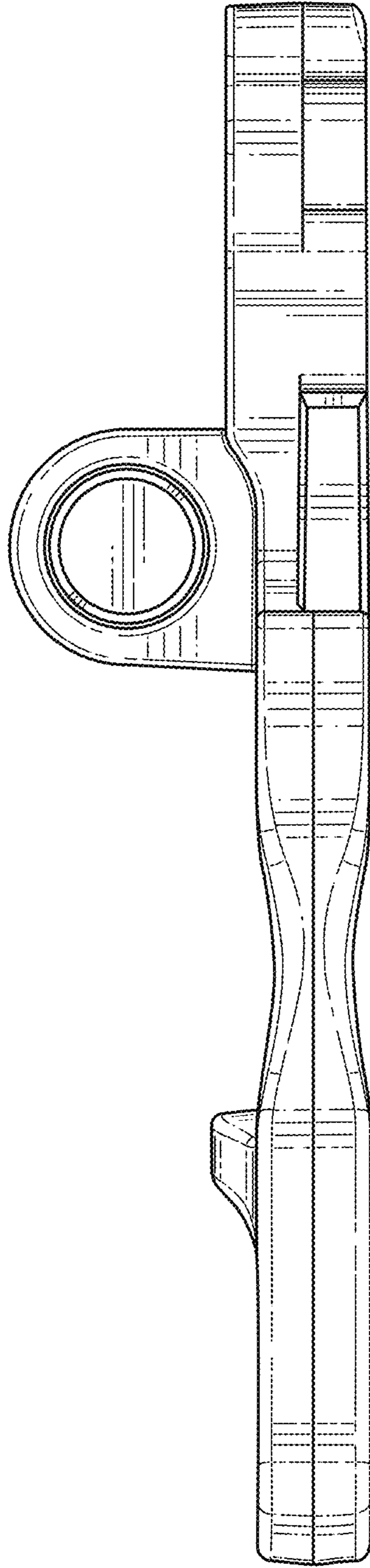


FIG. 18

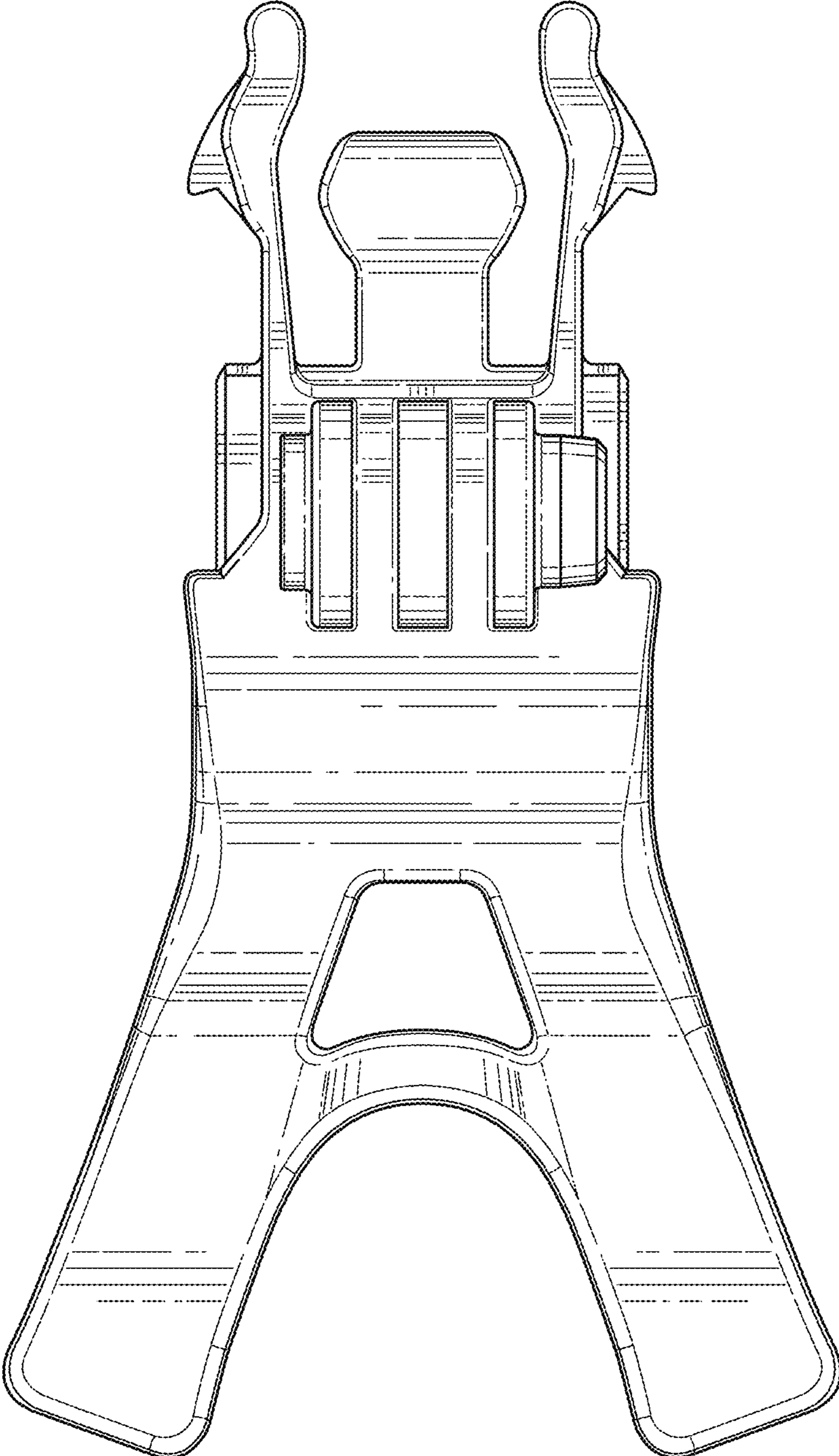


FIG. 19

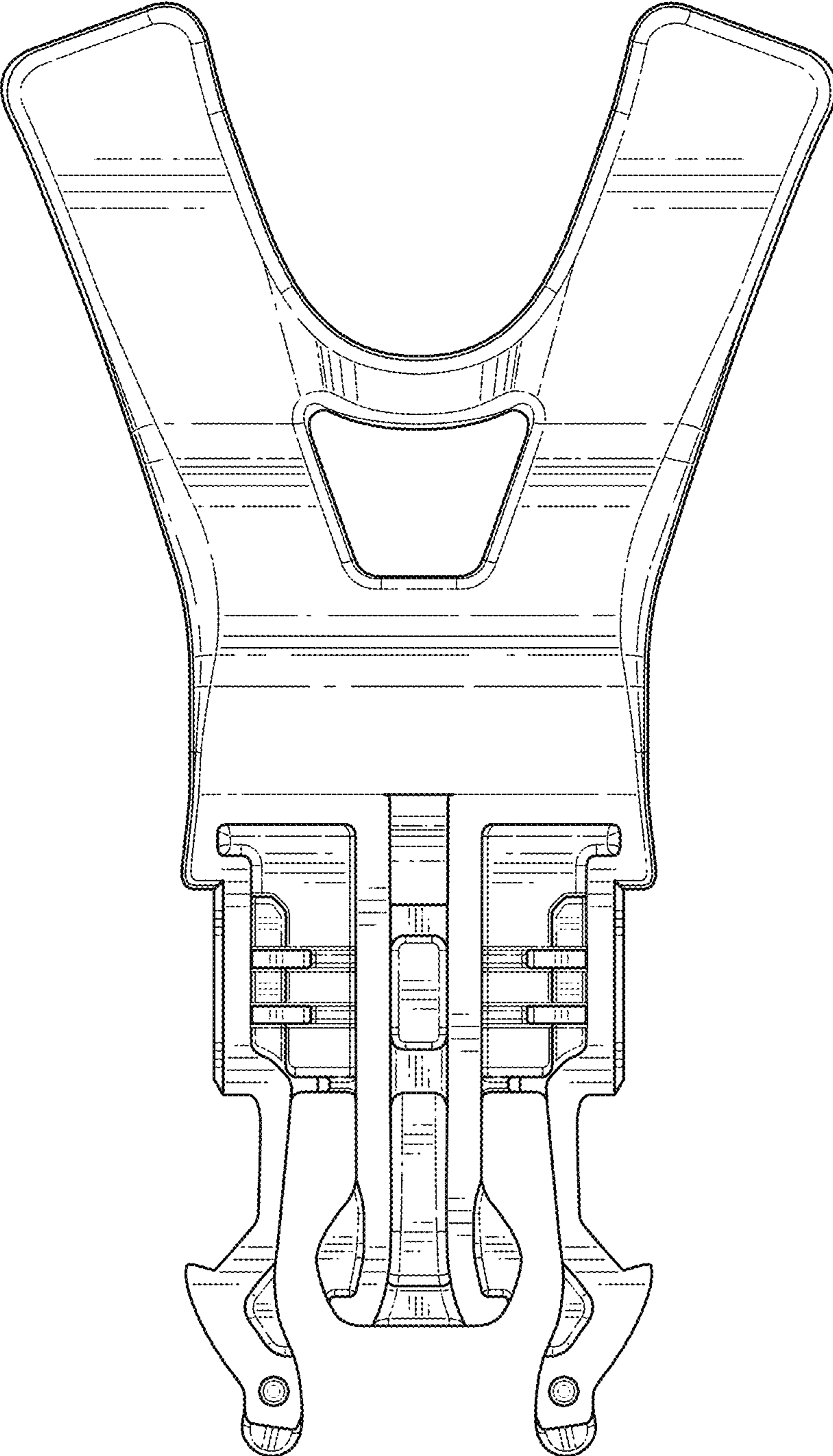


FIG. 20