



US00D776744S

(12) **United States Design Patent** (10) **Patent No.:** **US D776,744 S**  
**Park et al.** (45) **Date of Patent:** **\*\* Jan. 17, 2017**

(54) **LASER BEAM PROJECTOR**  
(71) Applicant: **SK TELECOM CO., LTD.**, Seoul (KR)

8,303,121 B2 \* 11/2012 Nagaharu ..... G03B 21/14 353/119  
D722,099 S \* 2/2015 Lee ..... D16/225  
2011/0234999 A1 \* 9/2011 Igarashi ..... G03B 21/145 353/85

(72) Inventors: **Yunjin Park**, Seoul (KR); **Cholsoo Park**, Seoul (KR); **Jiyoung Park**, Seoul (KR)

FOREIGN PATENT DOCUMENTS

CN 301129758 \* 12/2008  
CN 301507214 \* 5/2010

(73) Assignee: **SK TELECOM CO., LTD.**, Seoul (KR)

OTHER PUBLICATIONS

UO Smart Beam Laser Projector. [Retrieved on Mar. 9, 2016]. Retrieved from the Internet: <www.google.com/images>.\*

(\*\*) Term: **15 Years**

\* cited by examiner

(21) Appl. No.: **29/528,991**

*Primary Examiner* — Wan Laymon

(22) Filed: **Jun. 2, 2015**

(74) *Attorney, Agent, or Firm* — Hauptman Ham, LLP

(30) **Foreign Application Priority Data**

(57) **CLAIM**

Oct. 30, 2014 (KR) ..... 30-2014-0051927

The ornamental design for a laser beam projector, as shown and described.

(51) **LOC (10) Cl.** ..... **16-02**

**DESCRIPTION**

(52) **U.S. Cl.**  
USPC ..... **D16/230**

(58) **Field of Classification Search**  
USPC ..... D16/221, 225, 229-231; D21/514  
CPC ..... G03B 21/00; G03B 21/001; G03B 21/003; G03B 21/14; G03B 21/145  
See application file for complete search history.

FIG. 1 is a perspective view of a laser beam projector according to a new design claimed in this application (“claimed design”);  
FIG. 2 is a front elevational view thereof;  
FIG. 3 is a rear elevational view thereof;  
FIG. 4 is a left side elevational view thereof;  
FIG. 5 is a right side elevational view thereof;  
FIG. 6 is a top plan view thereof; and,  
FIG. 7 is a bottom plan view thereof.  
The portions depicted by broken lines in FIGS. 1 and 3-6 have been shown for the purpose of illustrating elements that form no part of the claimed design.

(56) **References Cited**

U.S. PATENT DOCUMENTS

D389,850 S \* 1/1998 Frank ..... D16/221  
D522,561 S \* 6/2006 Ikeuchi ..... D16/225  
7,216,989 B2 \* 5/2007 Sakurai ..... G03B 21/145 353/119  
7,354,161 B2 \* 4/2008 Kuroda ..... G03B 21/145 348/E5.143  
D575,812 S \* 8/2008 Senda ..... D16/225

The claimed laser beam projector could interface with terminals such as a mobile phone, a tablet PC, a laptop computer etc. and is used for outputting images provided from the terminals.

**1 Claim, 7 Drawing Sheets**

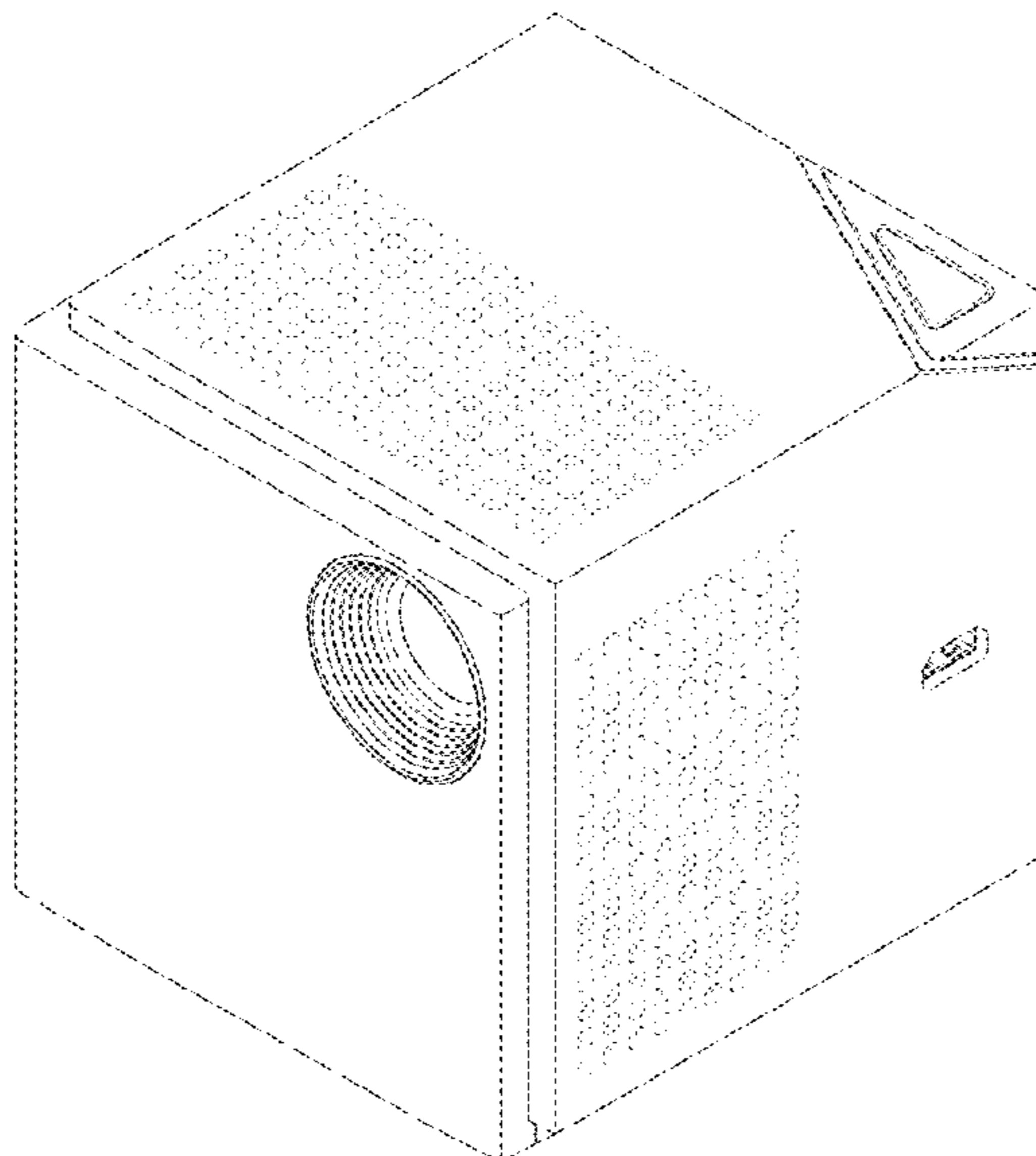


Fig. 1

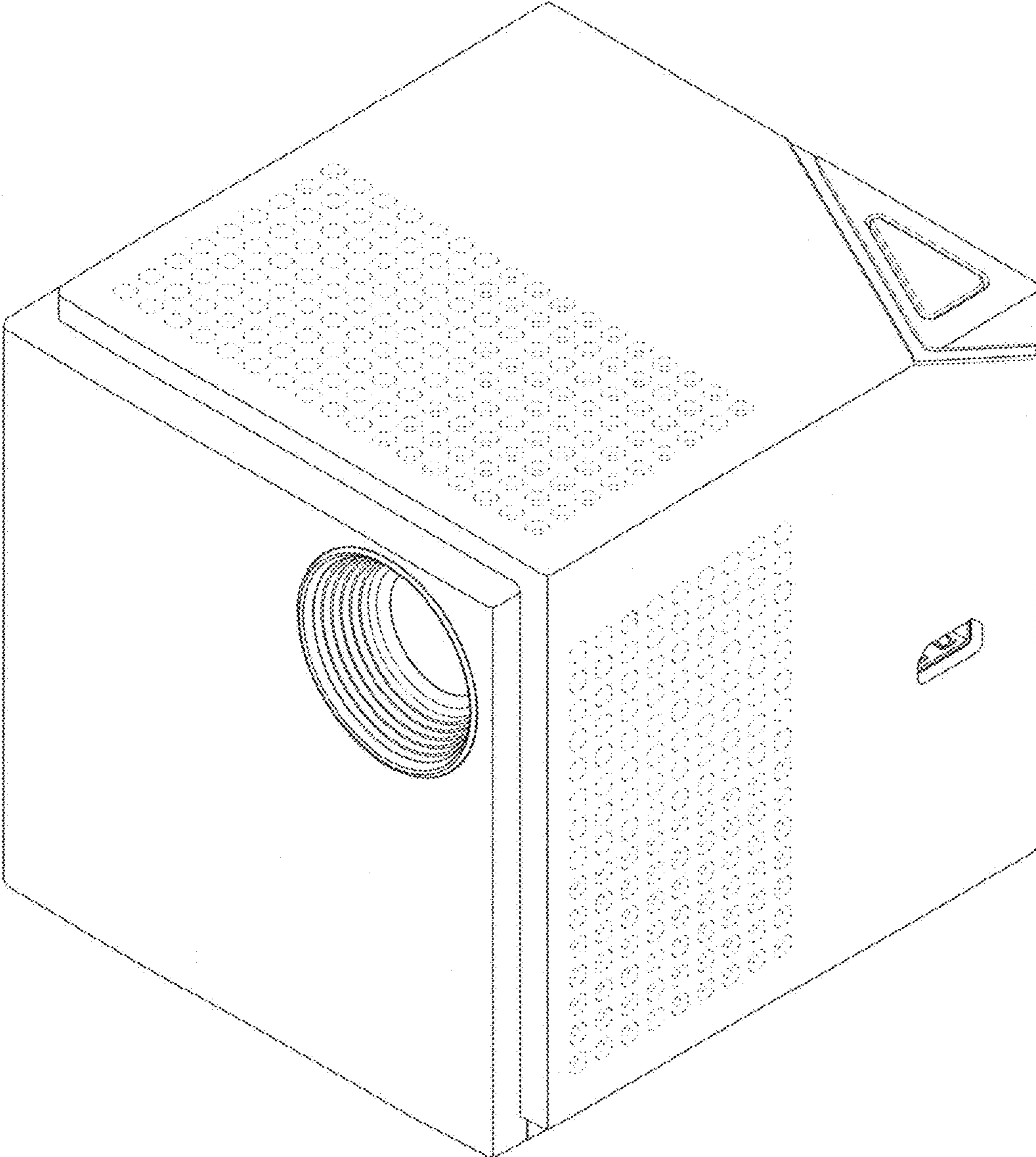


Fig. 2

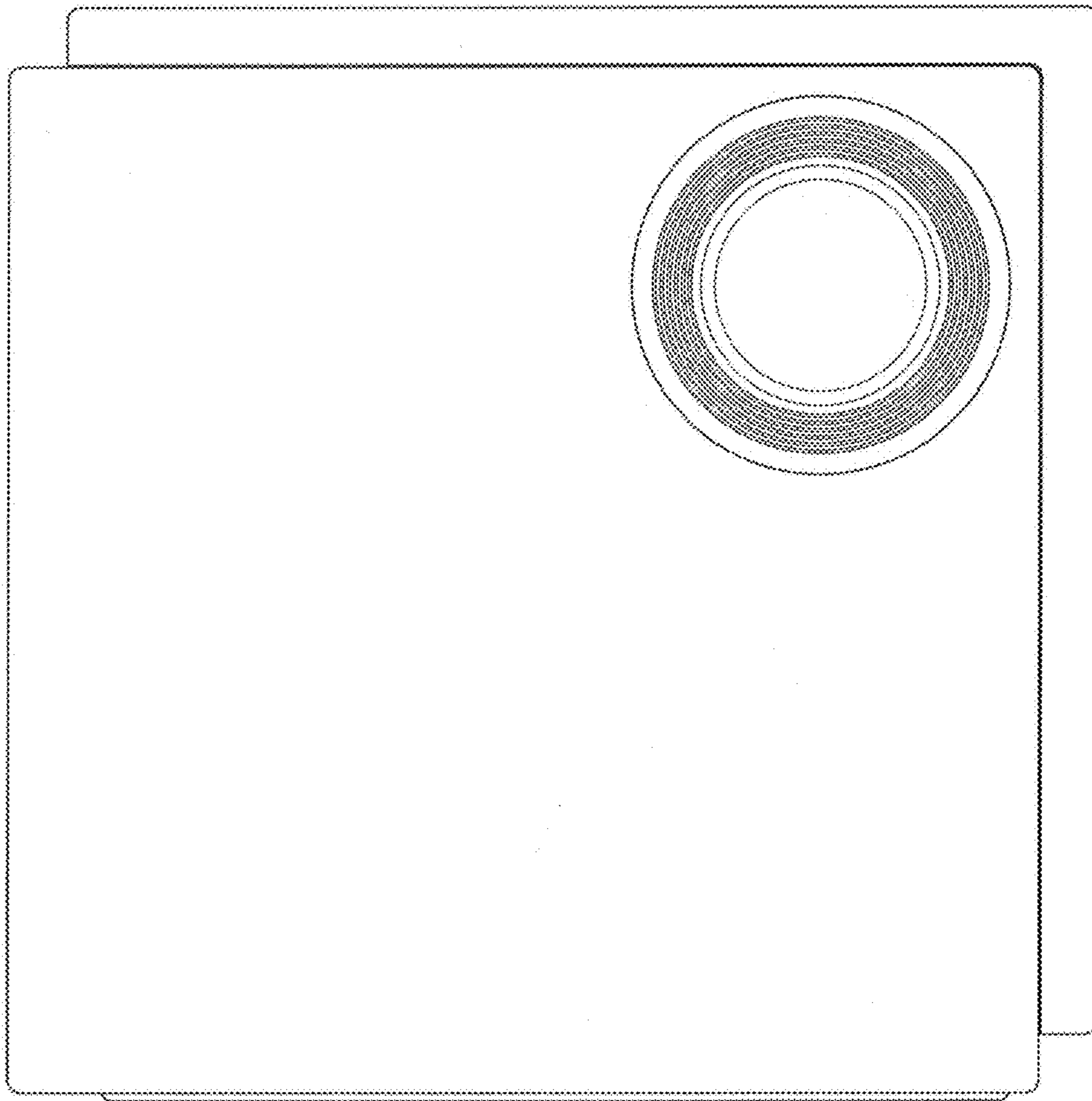


Fig. 3

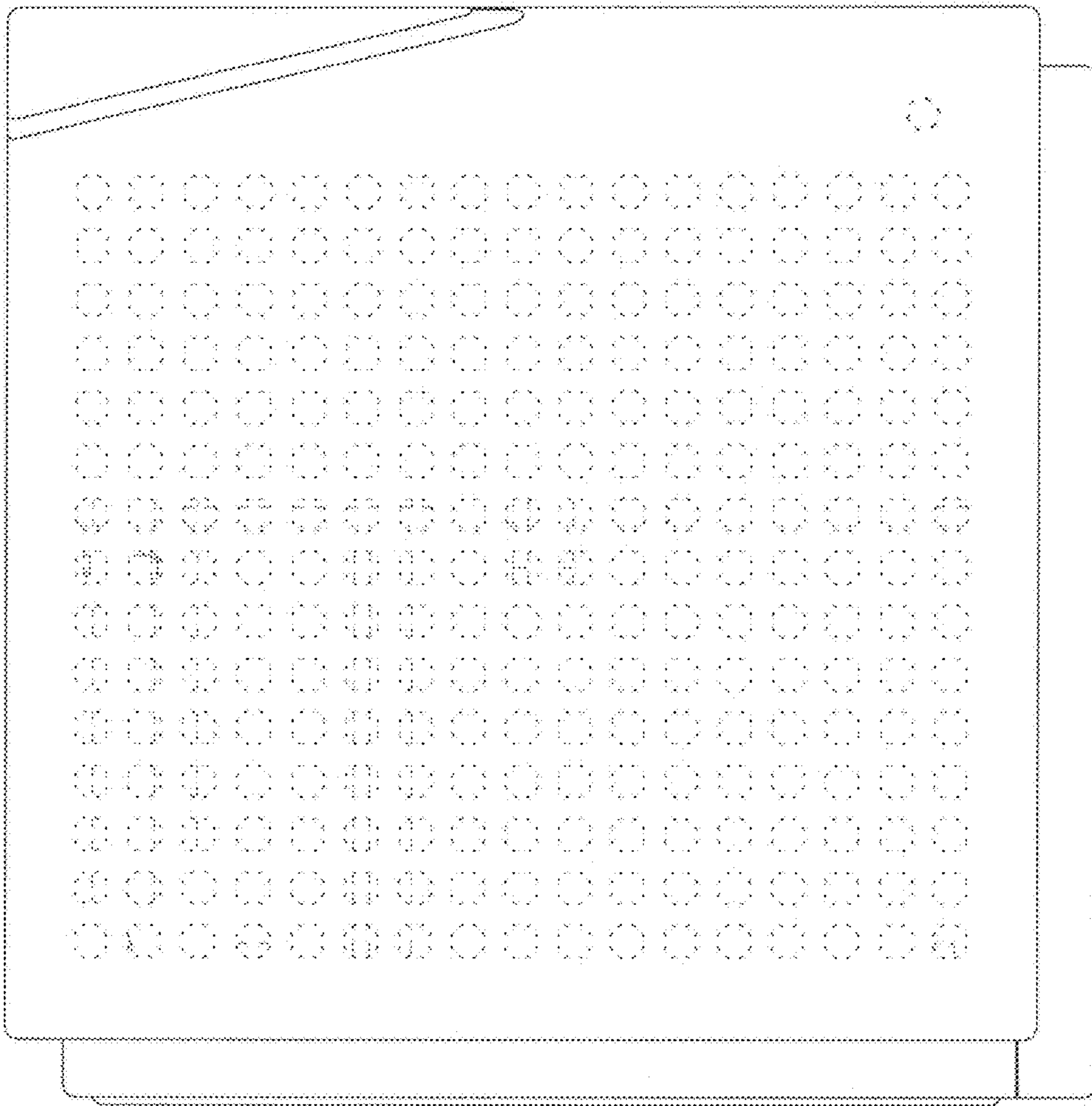




Fig. 4

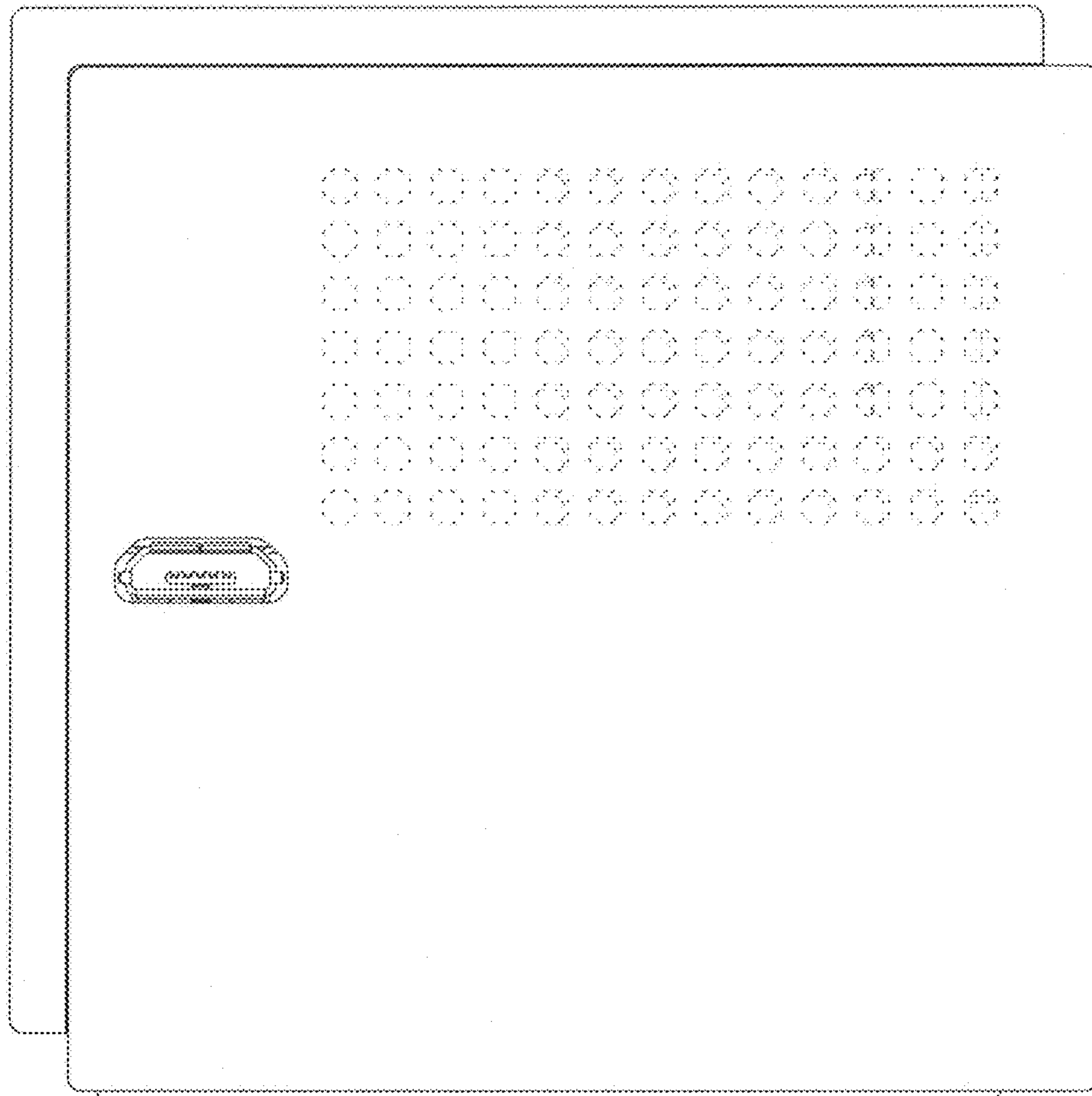


Fig. 5

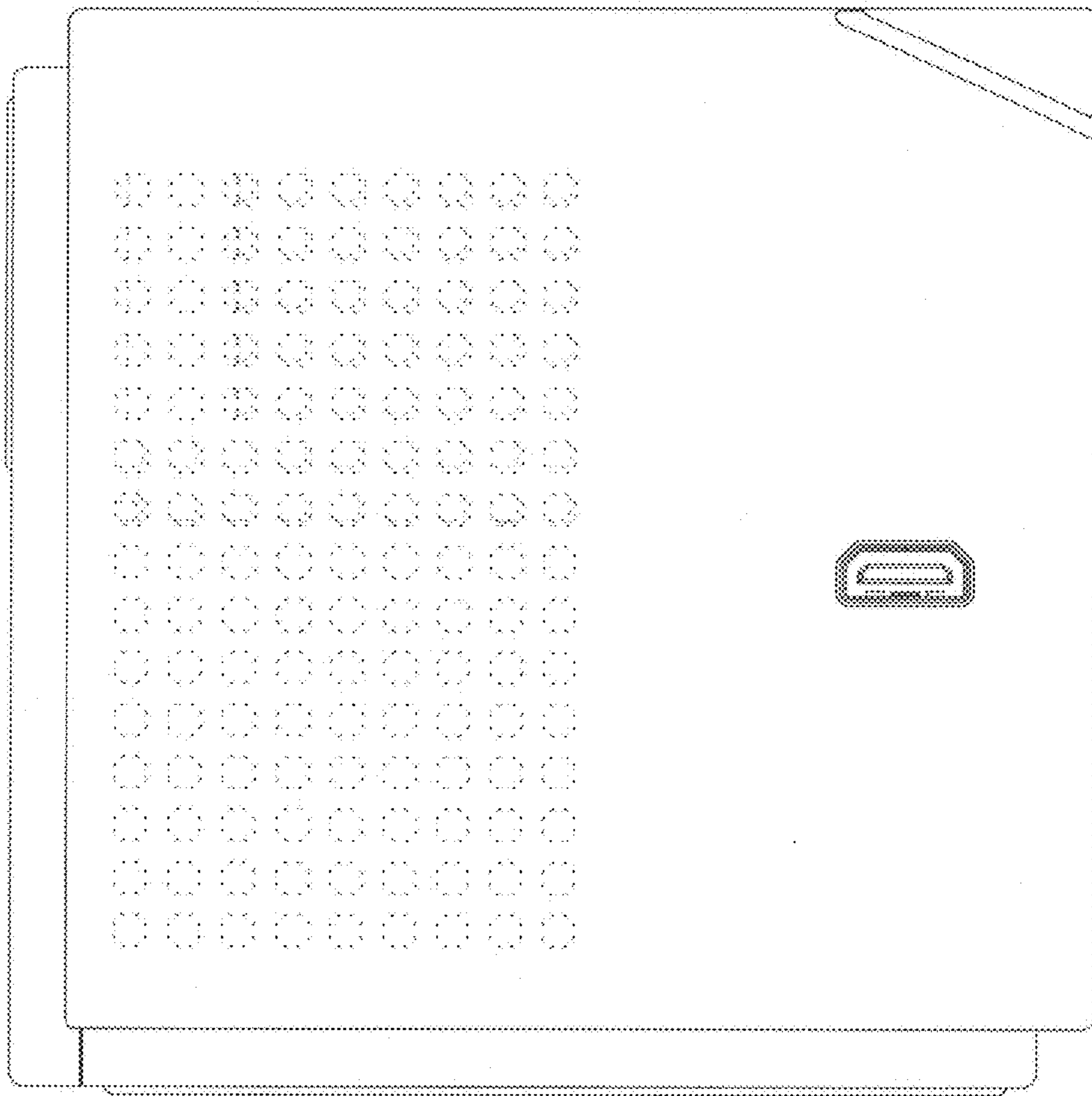


Fig. 6

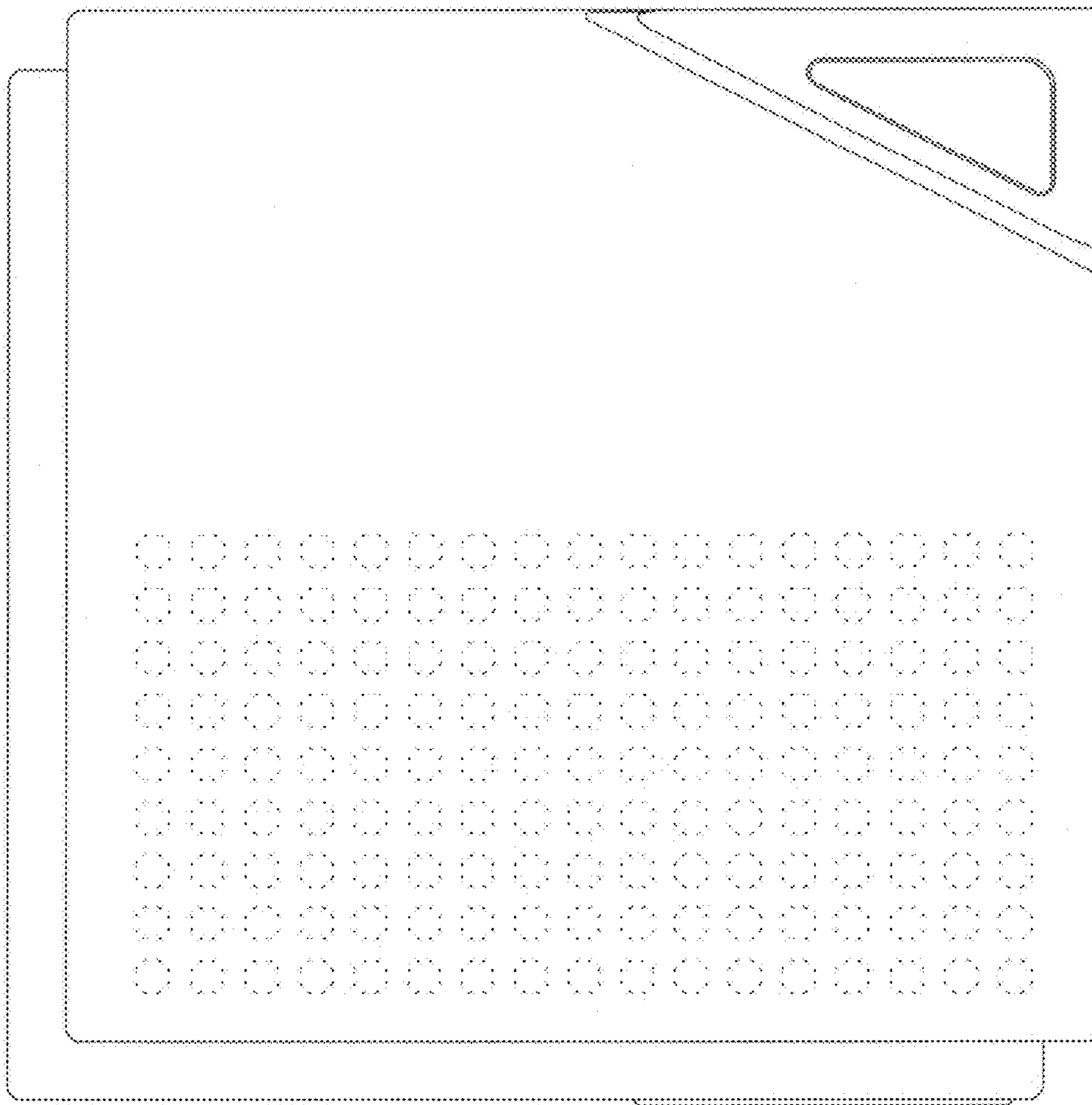


Fig. 7

