



US00D776743S

(12) **United States Design Patent**
Nohara

(10) **Patent No.:** **US D776,743 S**

(45) **Date of Patent:** **** Jan. 17, 2017**

(54) **DIGITAL CAMERA**

(71) Applicant: **OLYMPUS CORPORATION**,
Shibuya-ku, Tokyo (JP)

(72) Inventor: **Takeshi Nohara**, Hachioji (JP)

(73) Assignee: **OLYMPUS CORPORATION**, Tokyo
(JP)

(**) Term: **15 Years**

(21) Appl. No.: **29/550,077**

(22) Filed: **Dec. 30, 2015**

(30) **Foreign Application Priority Data**

Aug. 5, 2015 (JP) 2015-017435

(51) **LOC (10) Cl.** **16-05**

(52) **U.S. Cl.**
USPC **D16/219**

(58) **Field of Classification Search**
USPC D3/263, 267, 268; D16/134, 136, 200,
D16/202, 206, 208, 209, 218, 219;
348/294, 348/373-376; 396/301, 539-541
CPC G03B 15/03; G03B 17/02; G03B 17/04;
G03B 17/56; H04N 5/2251; H04N
5/2252; H04N 5/2254; H04N 5/2256
See application file for complete search history.

(56) **References Cited**

U.S. PATENT DOCUMENTS

D640,301 S *	6/2011	Nohara	D16/202
D676,475 S *	2/2013	Tainaka	D16/200
D681,090 S *	4/2013	Tainaka	D16/200
D681,710 S *	5/2013	Sato	D16/200
D683,382 S *	5/2013	Tainaka	D16/200
D695,804 S *	12/2013	Nohara	D16/202
D698,838 S *	2/2014	Tainaka	D16/200

D717,334 S *	11/2014	Sakuma	D14/487
D717,335 S *	11/2014	Sakuma	D14/487
D723,085 S *	2/2015	Soejima	D16/219
D723,086 S *	2/2015	Imamizu	D16/219
D724,131 S *	3/2015	Kim	D16/202
D724,643 S *	3/2015	Kim	D16/219
D725,173 S *	3/2015	Chai	D16/219
D727,392 S *	4/2015	Fujita	D16/219
D728,659 S *	5/2015	Hayashi	D16/219
D736,300 S *	8/2015	Nagaoka	D16/219
D739,453 S *	9/2015	Lee	D16/219
D743,470 S *	11/2015	Baba	D16/219
D744,575 S *	12/2015	Zhan	D16/219
D759,742 S *	6/2016	Kim	D16/200
D763,941 S *	8/2016	Smith	D16/200
D764,560 S *	8/2016	Jang	D16/202
2012/0106944 A1 *	5/2012	Johnson	G03B 17/56 396/428

* cited by examiner

Primary Examiner — Rosemary K Tarcza

Assistant Examiner — Yolando Robinson

(74) *Attorney, Agent, or Firm* — Holtz, Holtz & Volek PC

(57) **CLAIM**

The ornamental design for a digital camera, as shown and described.

DESCRIPTION

FIG. 1 is a rear, top and right side perspective view of a digital camera showing my new design;
FIG. 2 is a front elevational view thereof;
FIG. 3 is a rear elevational view thereof;
FIG. 4 is a top plan view thereof;
FIG. 5 is a bottom plan view thereof;
FIG. 6 is a left side elevational view thereof; and,
FIG. 7 is a right side elevational view thereof.
The broken line showing of the digital camera is for the purpose of illustrating environmental subject matter and forms no part of the claimed design.

1 Claim, 4 Drawing Sheets

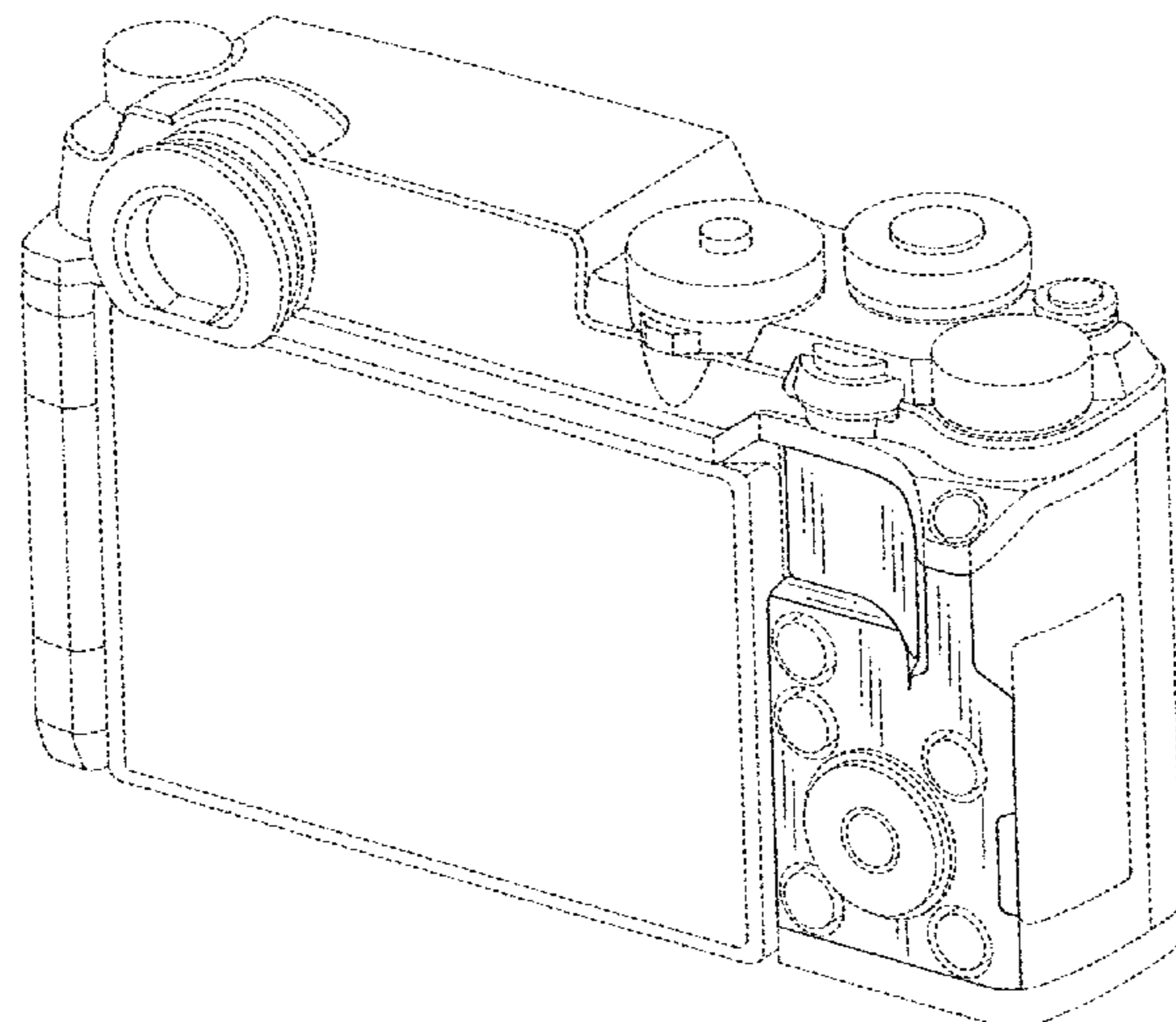


FIG.1

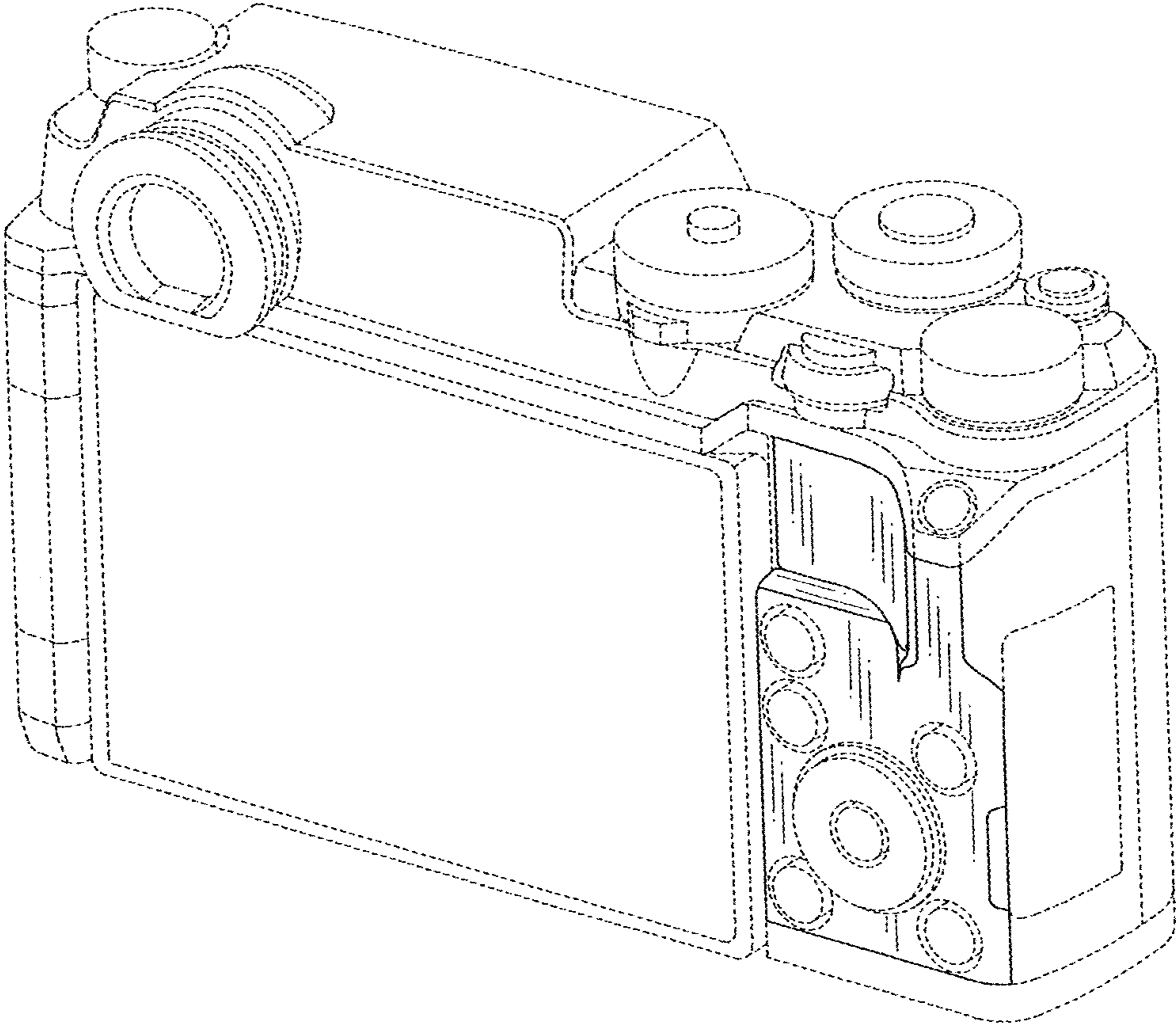


FIG.2

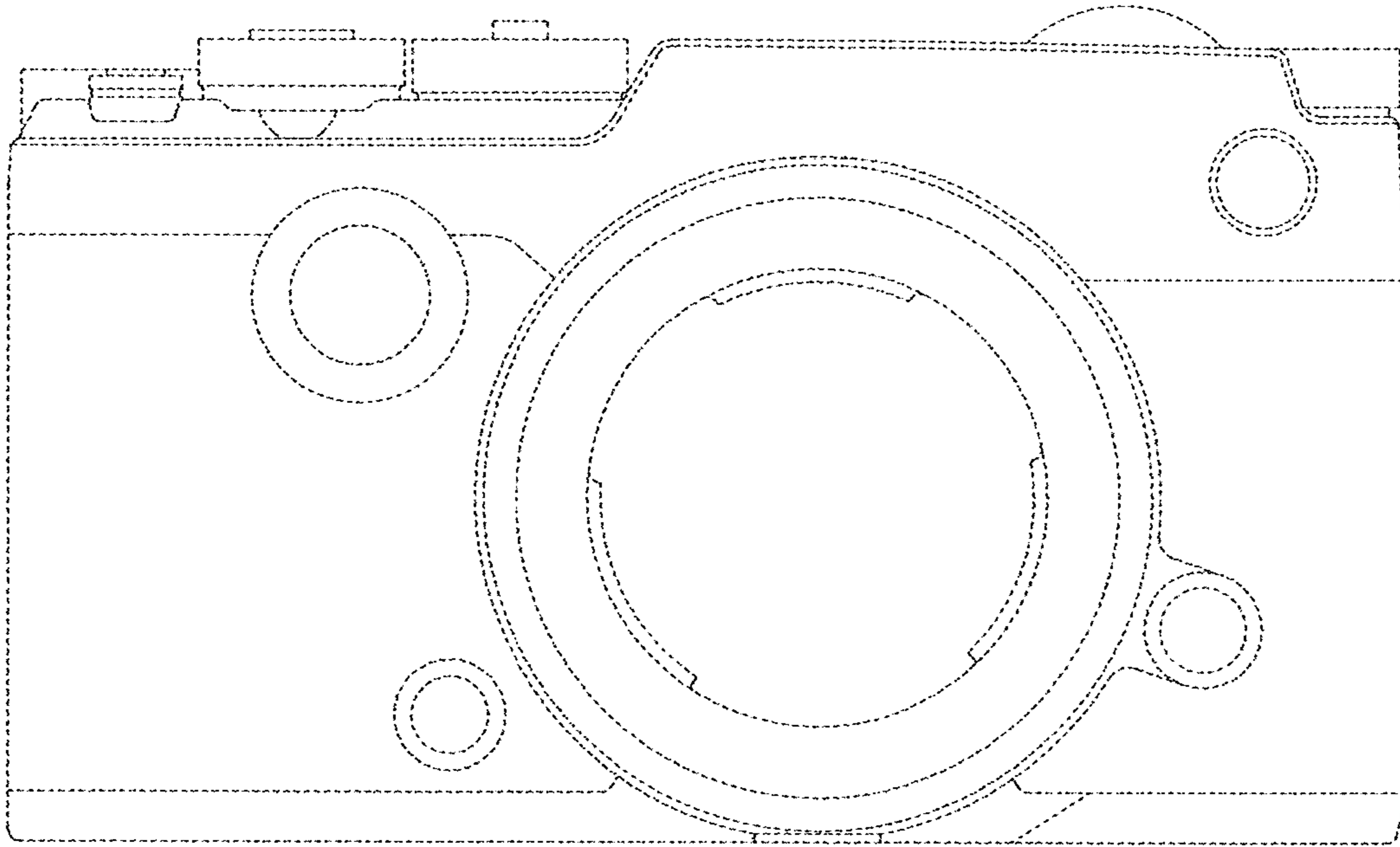


FIG.3

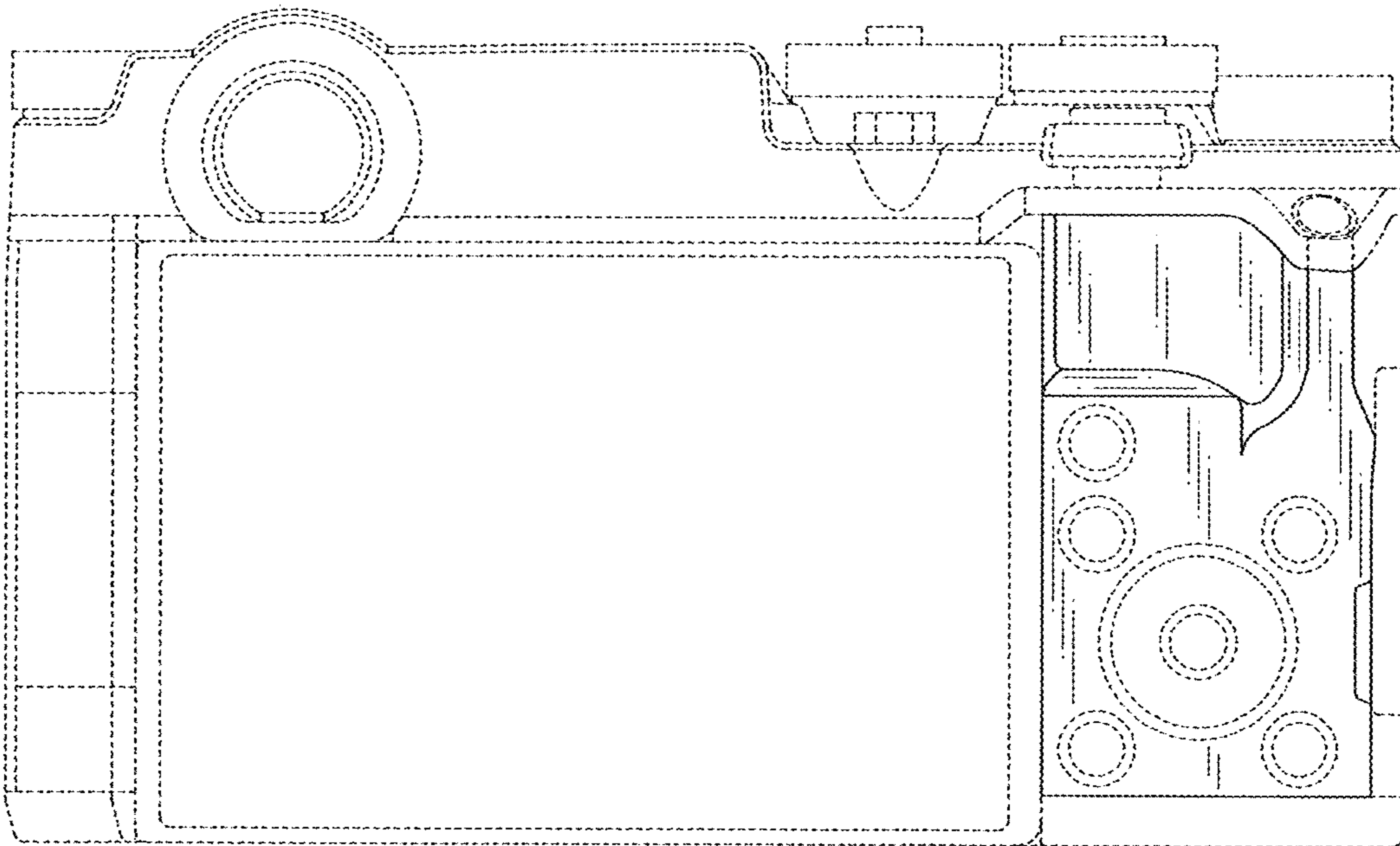


FIG.4

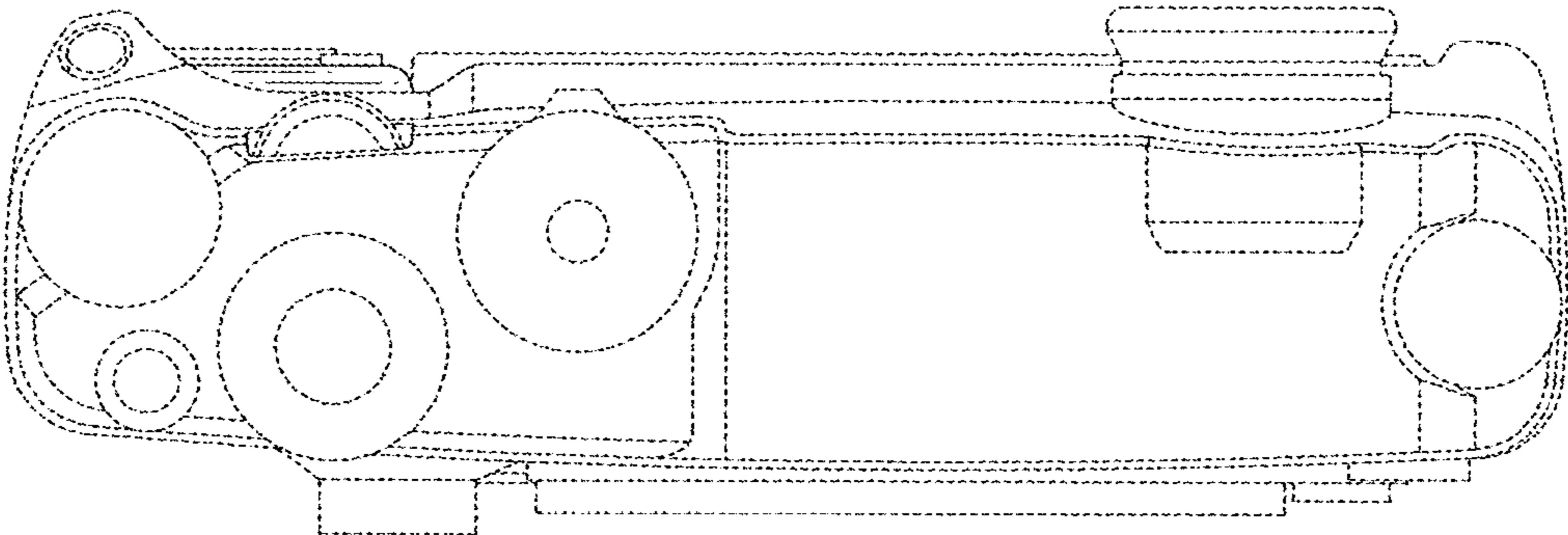


FIG.5

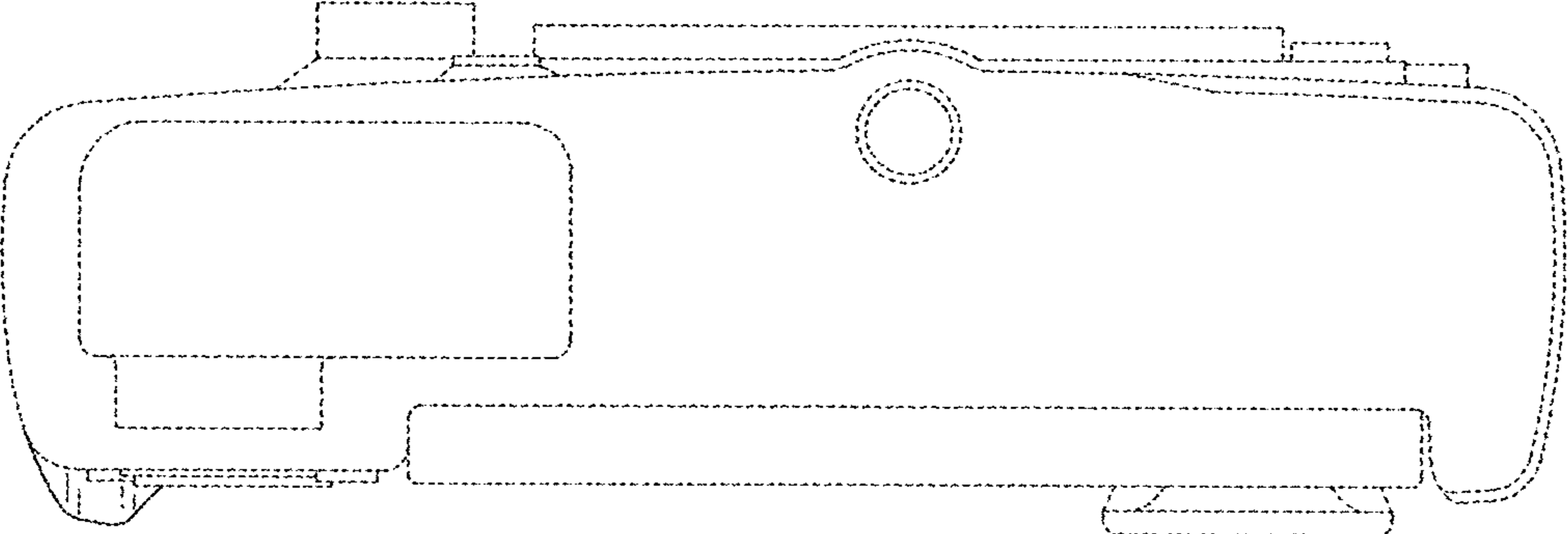


FIG.6

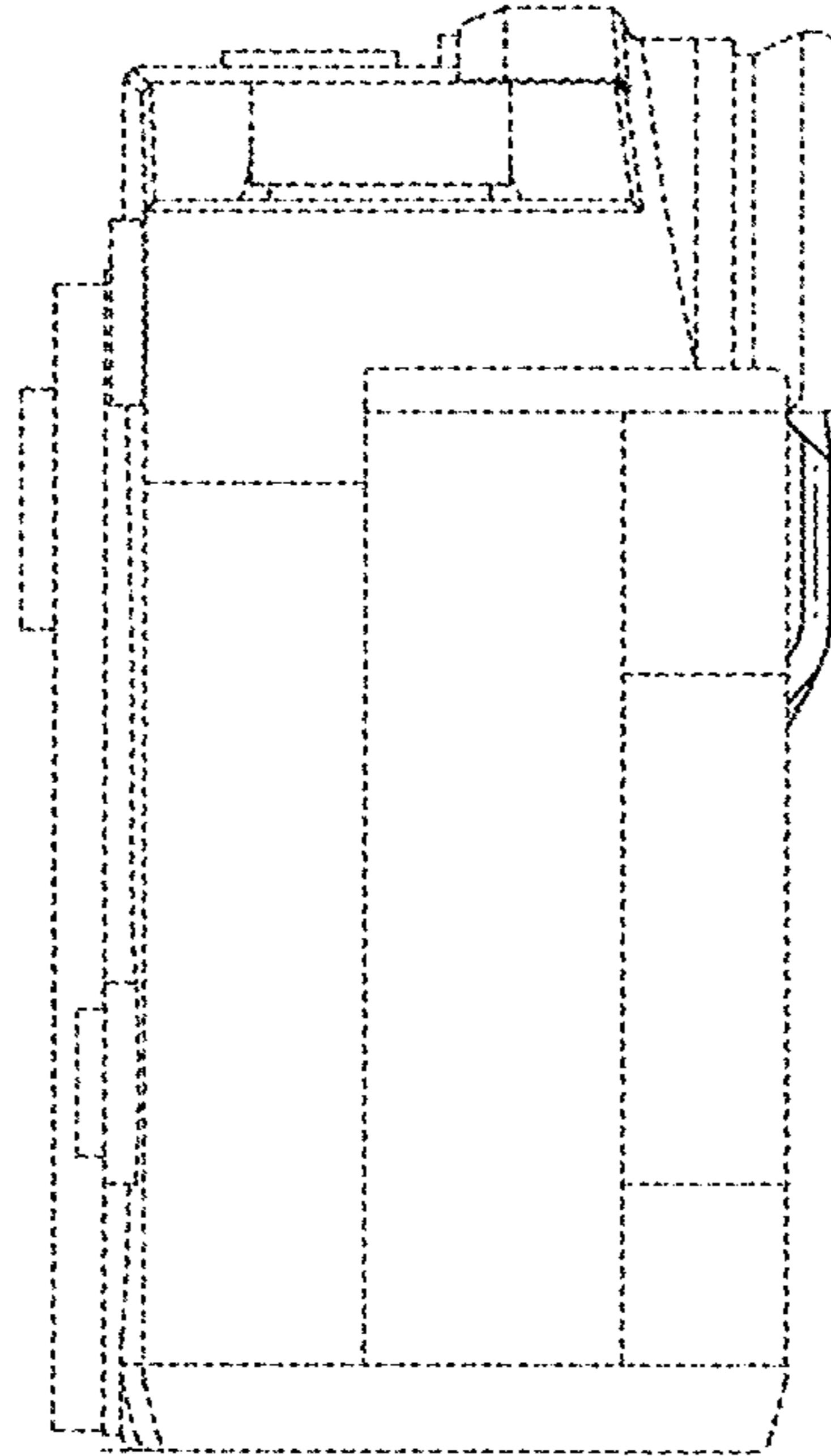


FIG.7

