



US00D776741S

(12) **United States Design Patent**
Parfitt et al.

(10) **Patent No.:** **US D776,741 S**
(45) **Date of Patent:** **** Jan. 17, 2017**

(54) **CAMERA DIVE HOUSING**

(71) Applicant: **GoPro, Inc.**, San Mateo, CA (US)

(72) Inventors: **Benjamin Parfitt**, Mountain View, CA (US); **Theresa Loney Casarez**, San Carlos, CA (US)

(73) Assignee: **GoPro, Inc.**, San Mateo, CA (US)

(**) Term: **15 Years**

(21) Appl. No.: **29/549,861**

(22) Filed: **Dec. 29, 2015**

(51) **LOC (10) Cl.** **16-01**

(52) **U.S. Cl.**
USPC **D16/204**

(58) **Field of Classification Search**
USPC D3/263, 267, 268; D16/134, 136, 200,
D16/202, 206, 208, 209, 218, 219, 204;
396/301, 539-541
CPC G03B 15/03; G03B 17/02; G03B 17/56;
H04N 5/2251; H04N 5/2252; H04N
5/2254; H04N 5/2256

See application file for complete search history.

(56) **References Cited**

U.S. PATENT DOCUMENTS

D646,313	S	*	10/2011	Woodman	D16/200
D699,277	S	*	2/2014	Samuels	D16/200
D702,747	S	*	4/2014	Woodman	D16/200
D710,921	S	*	8/2014	Gioscia	D16/200
D710,922	S	*	8/2014	Gioscia	D16/200
D724,637	S	*	3/2015	Samuels	D16/200
D724,638	S	*	3/2015	Samuels	D16/200
D725,169	S	*	3/2015	Gioscia	D16/200
D734,799	S	*	7/2015	Woodman	D16/200
D735,790	S	*	8/2015	Gioscia	D16/219

D739,451	S	*	9/2015	Gioscia	D16/200
D740,868	S	*	10/2015	Gioscia	D16/200
D740,876	S	*	10/2015	Woodman	D16/200
D741,394	S	*	10/2015	Gioscia	D16/200
D750,146	S	*	2/2016	Costa	D16/200
D750,680	S	*	3/2016	Chen	D16/200
D751,133	S	*	3/2016	Gioscia	D16/219
D752,671	S	*	3/2016	Harrison	D16/200
D752,672	S	*	3/2016	Clearman	D16/200
D754,238	S	*	4/2016	Woodman	D16/200
D767,009	S	*	9/2016	Hinkel	D16/200
2015/0030320	A1	*	1/2015	Clearman	E05B 17/2019 396/536
2016/0134788	A1	*	5/2016	Clearman	E05B 17/2019 348/373
2016/0252801	A1	*	9/2016	Harrison	G03B 17/561

* cited by examiner

Primary Examiner — Rosemary K Tarcza

Assistant Examiner — Yolanda Robinson

(74) *Attorney, Agent, or Firm* — Fenwick & West LLP

(57) **CLAIM**

The ornamental design for a camera dive housing, as shown and described.

DESCRIPTION

FIG. 1 is a front, right, and top perspective view of a camera dive housing;

FIG. 2 is a rear, left, and bottom perspective view thereof;

FIG. 3 is a front, left, and top perspective view thereof;

FIG. 4 is a rear, right, and bottom perspective view thereof;

FIG. 5 is a front view thereof;

FIG. 6 is a rear view thereof;

FIG. 7 is a left view thereof;

FIG. 8 is a right view thereof;

FIG. 9 is a top plan view thereof; and,

FIG. 10 is a bottom plan view thereof.

1 Claim, 10 Drawing Sheets

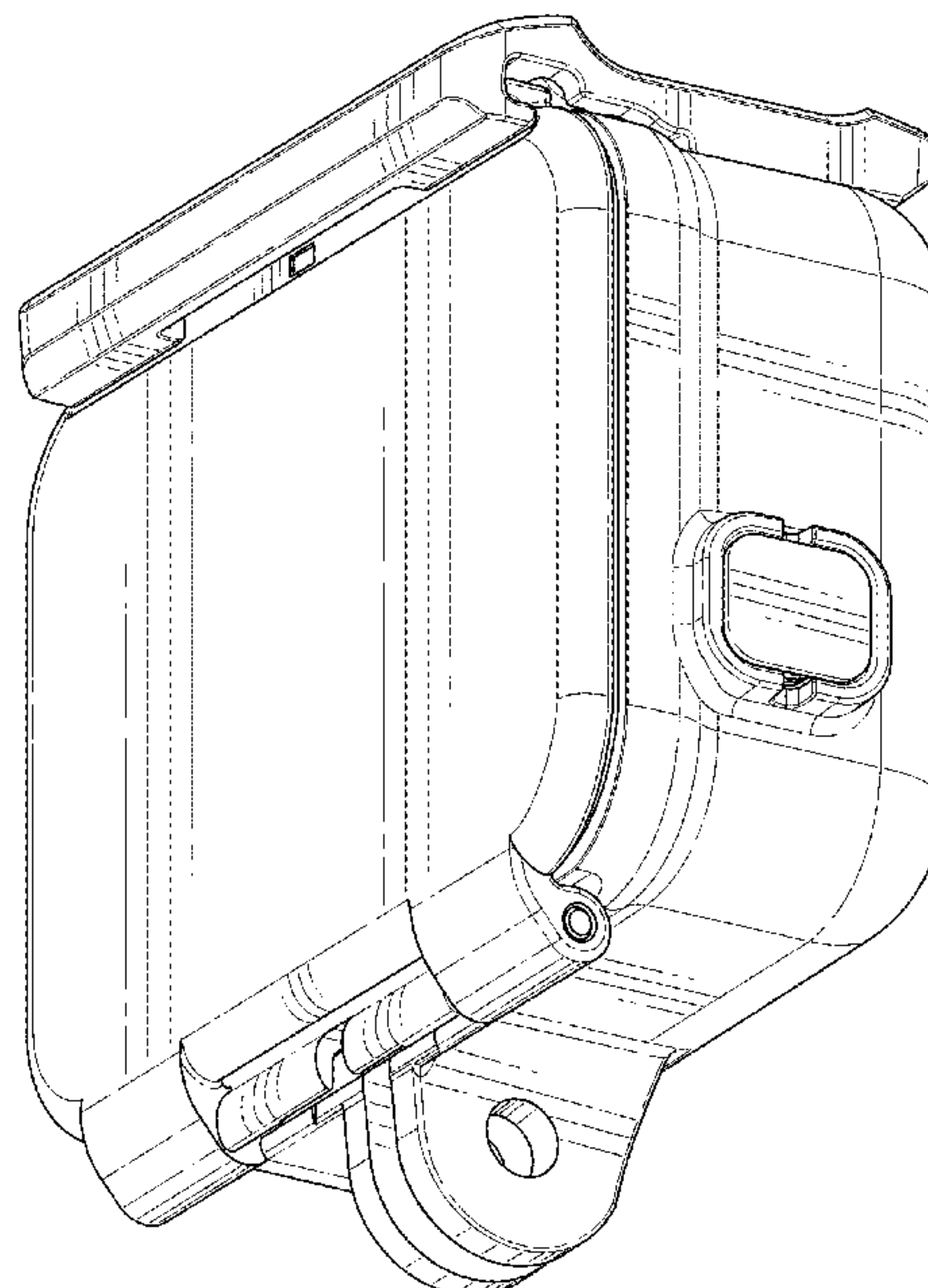
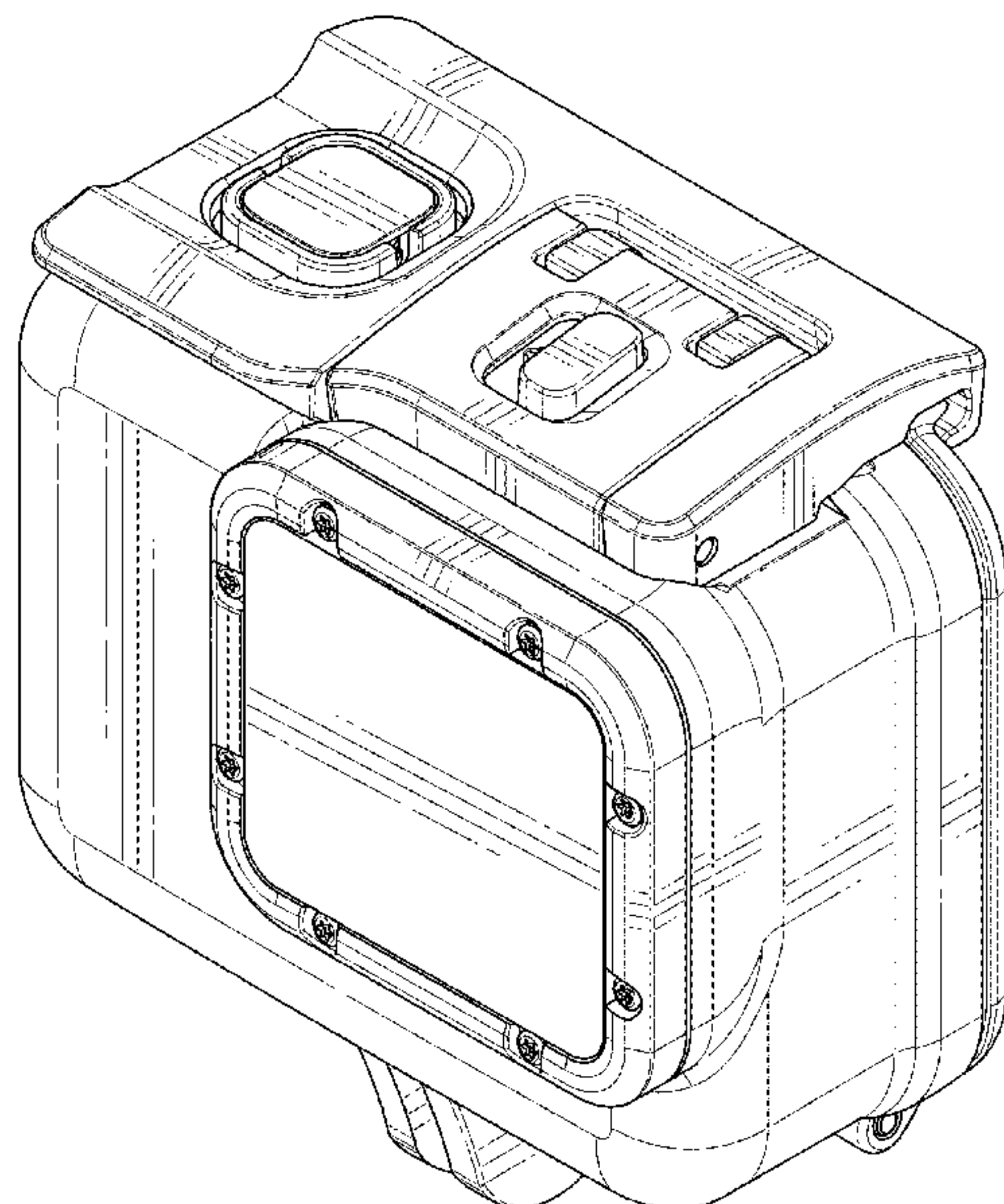




FIG. 1

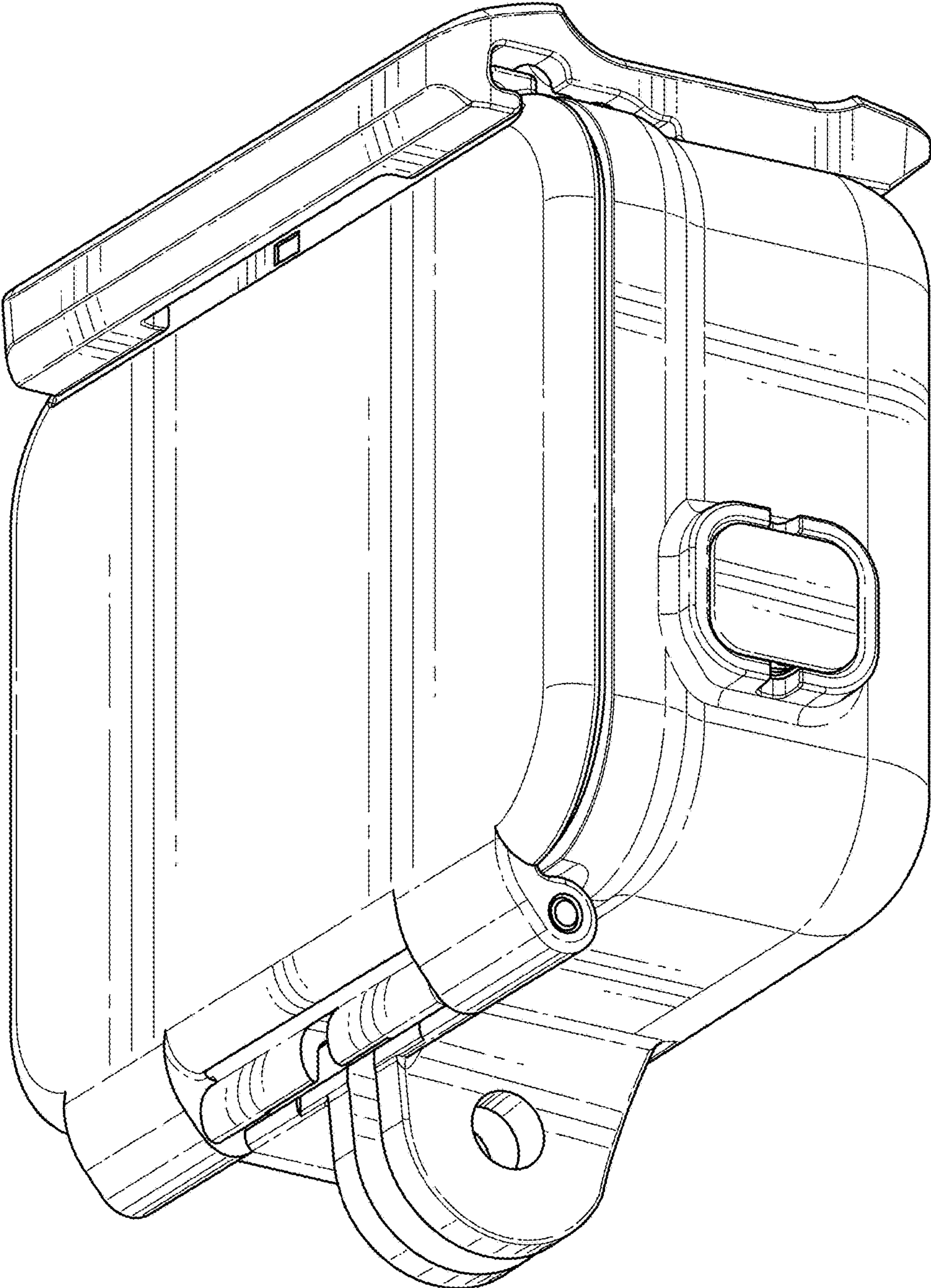


FIG. 2

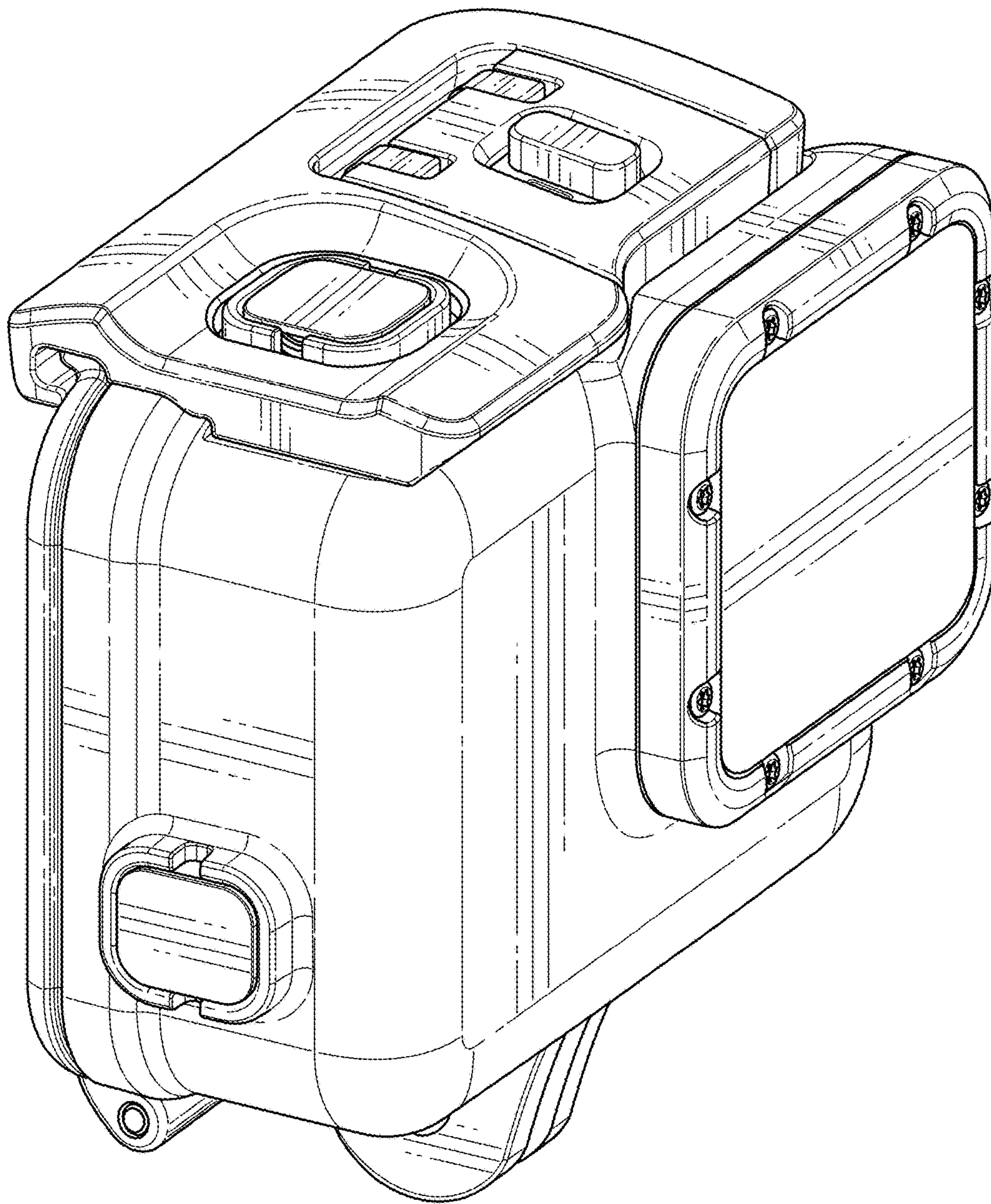


FIG. 3

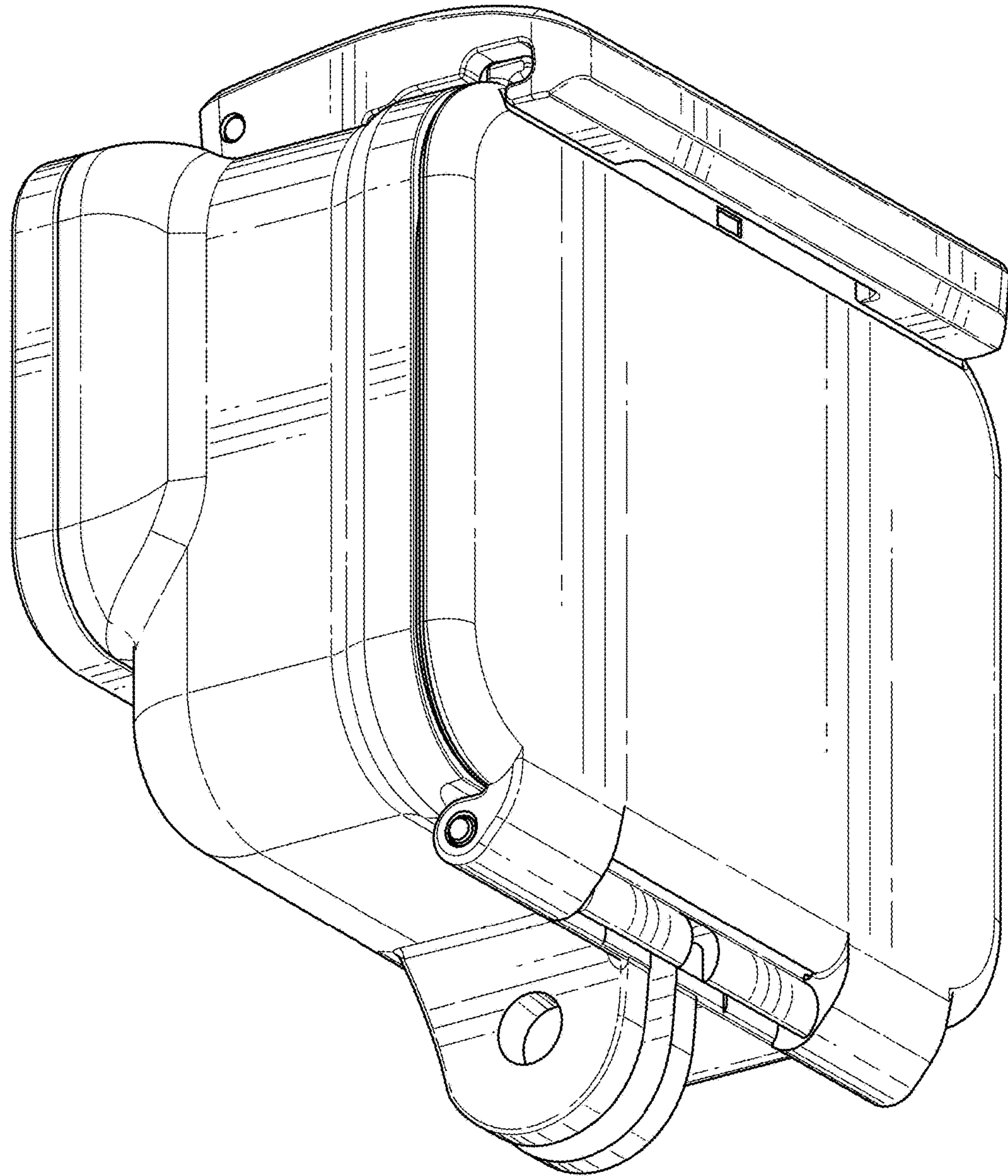


FIG. 4

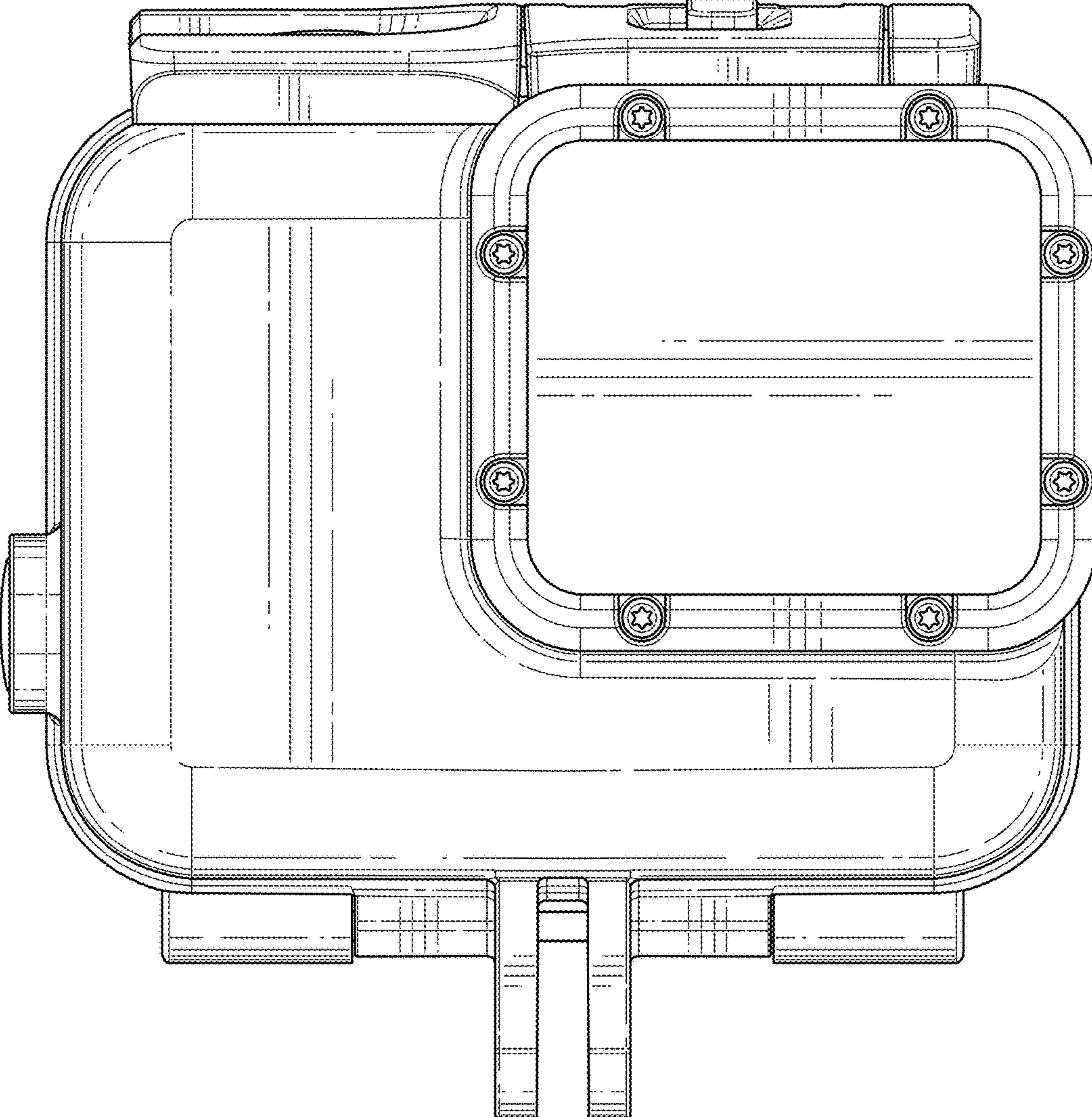


FIG. 5

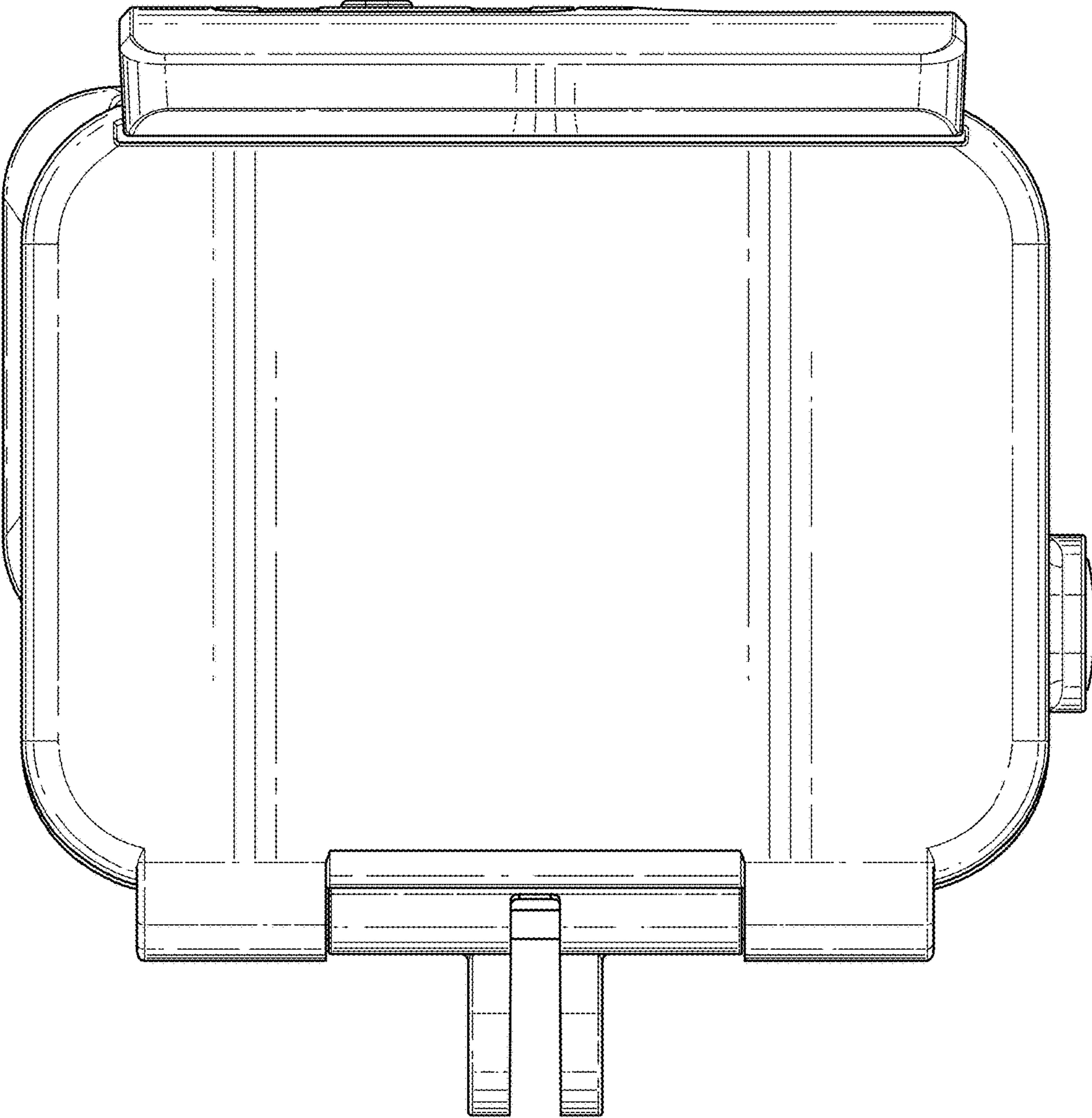


FIG. 6

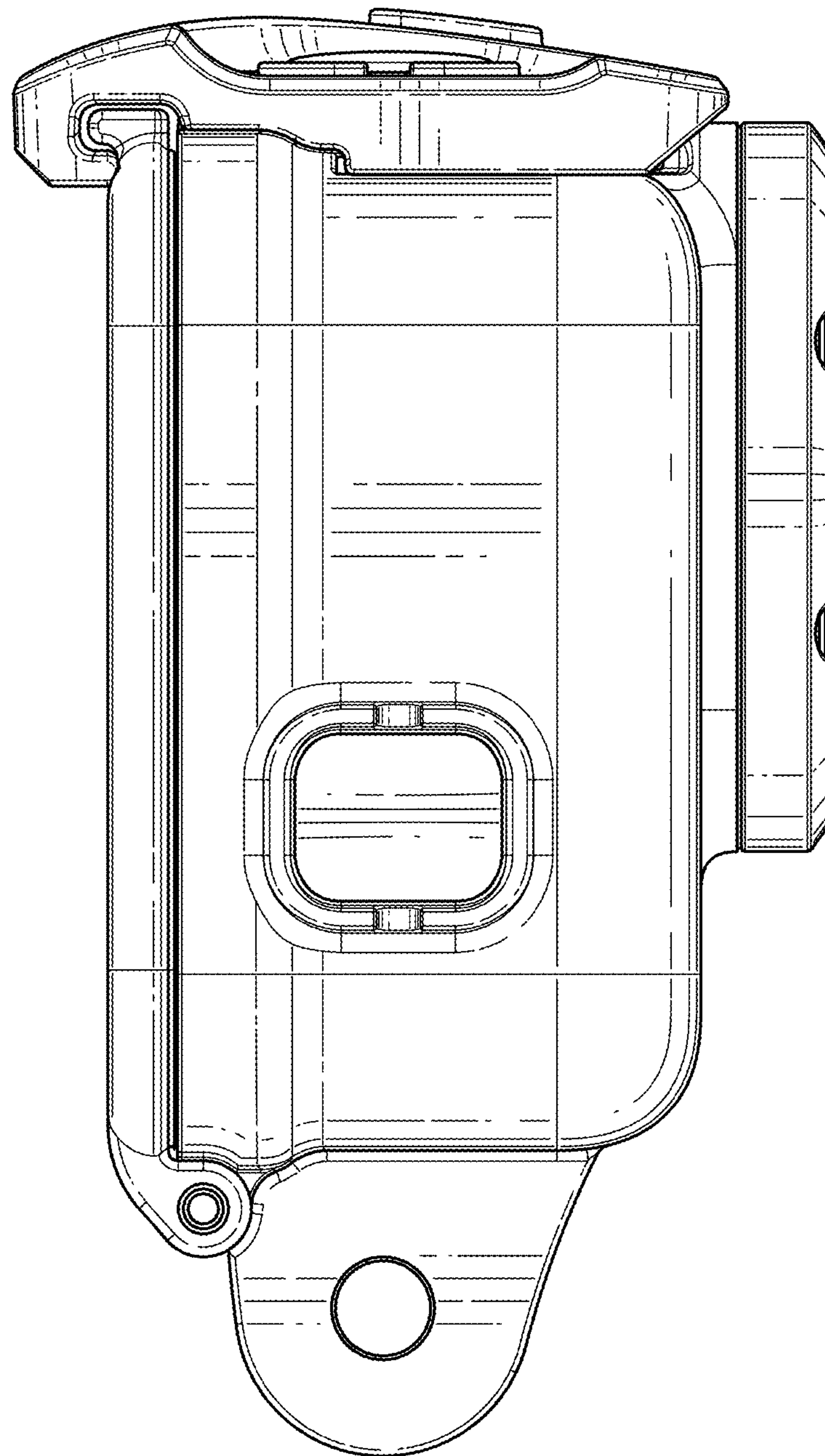


FIG. 7

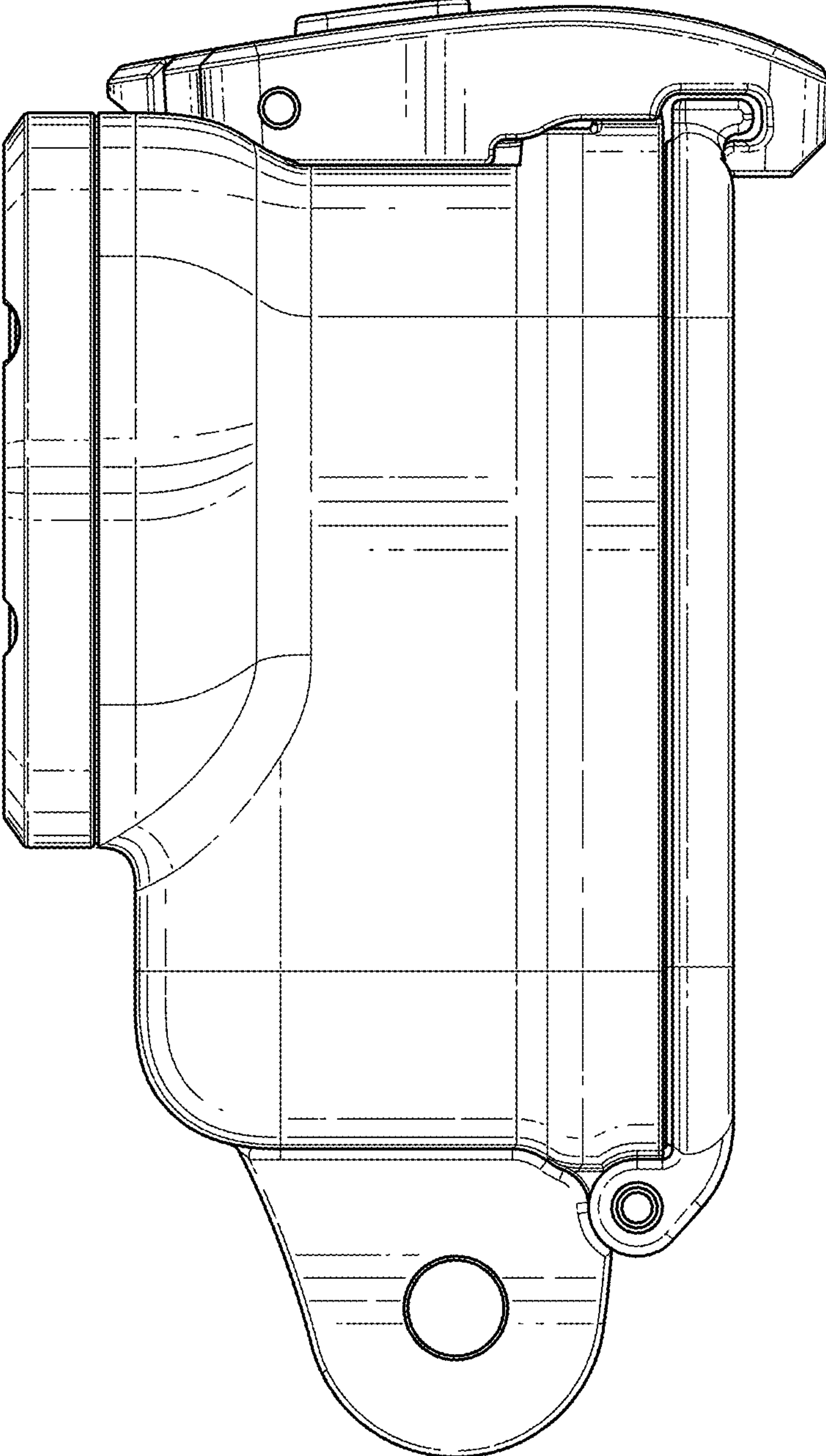


FIG. 8

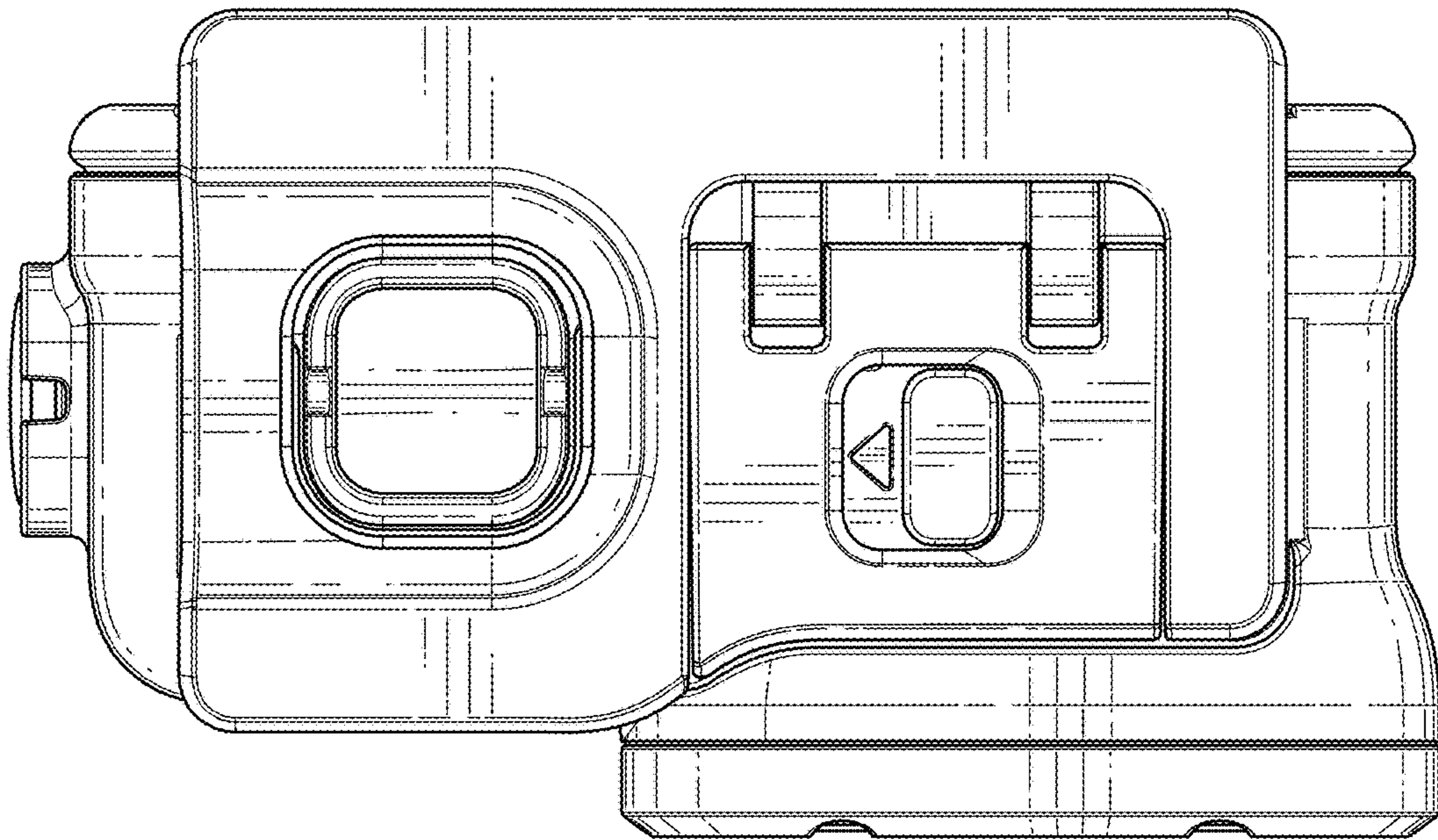


FIG. 9

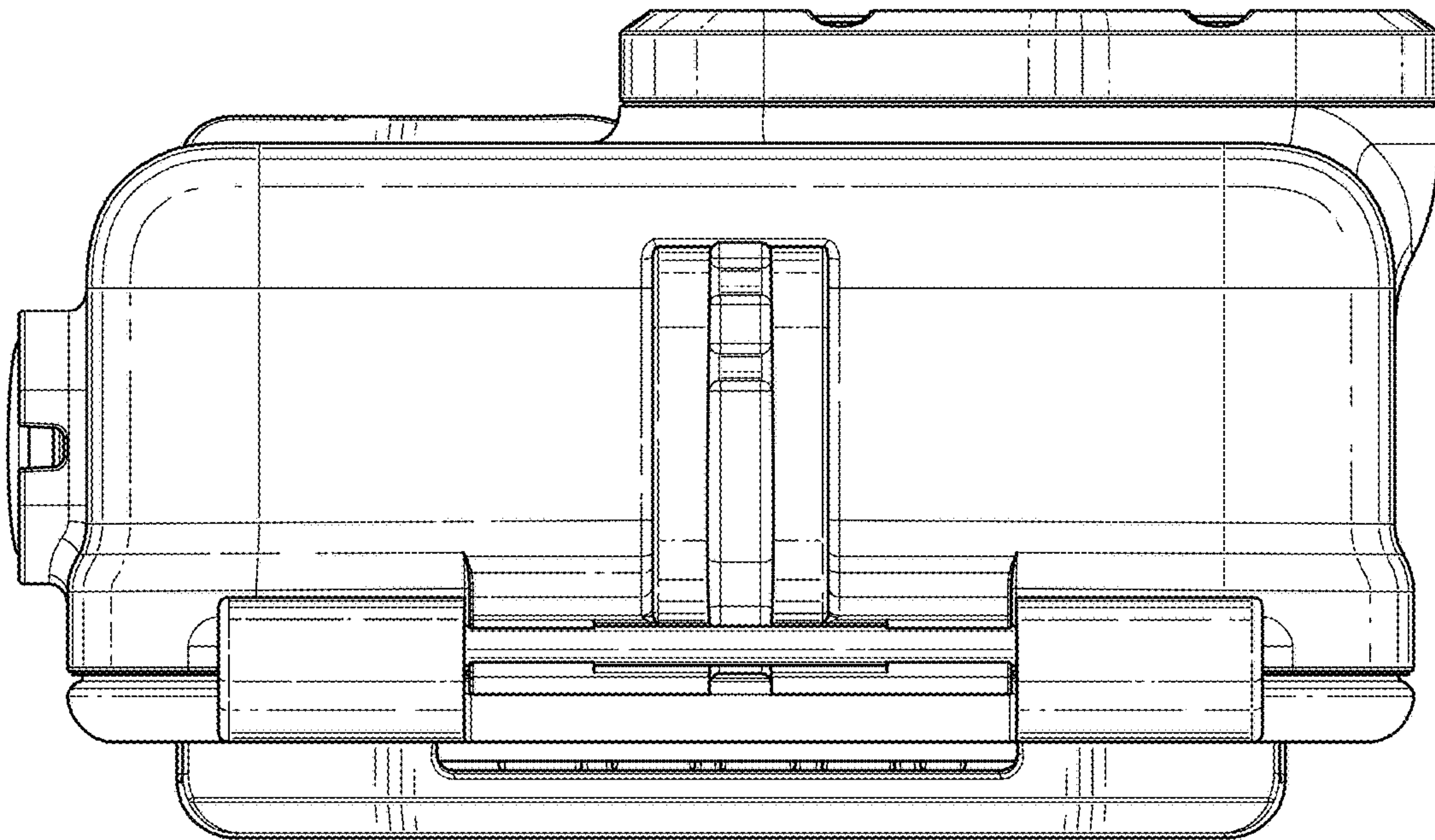


FIG. 10