



US00D776740S

(12) **United States Design Patent**
Okawa

(10) **Patent No.:** **US D776,740 S**
(45) **Date of Patent:** **** Jan. 17, 2017**

(54) **CAMERA**

(71) Applicant: **Panasonic Intellectual Property Management Co., Ltd., Osaka (JP)**

(72) Inventor: **Takayuki Okawa, Osaka (JP)**

(73) Assignee: **Panasonic Intellectual Property Management Co., Ltd., Osaka (JP)**

(**) Term: **15 Years**

(21) Appl. No.: **29/549,354**

(22) Filed: **Dec. 21, 2015**

(51) **LOC (10) Cl.** **16-01**

(52) **U.S. Cl.**
USPC **D16/203**

(58) **Field of Classification Search**
USPC D16/200, 202–205, 208, 214, 218, 219, D16/242; 348/14.01–14.06, 143, 146, 348/148, 151, 208.11, 373–376; 396/419, 396/427, 535, 539–541
CPC G03B 17/02; G03B 19/04; G03B 17/56; G03B 17/04; G03B 15/03; H04N 5/2251; H04N 5/2252; H04N 5/2253; H04N 5/2254; H04N 5/23248; H04N 2007/145; H04N 7/141; H04N 7/142; H04N 7/147; H04N 7/148; H04N 7/15; H04N 7/152
See application file for complete search history.

(56) **References Cited**

U.S. PATENT DOCUMENTS

D418,152 S	*	12/1999	McBride	D16/204
D496,381 S		9/2004	McDonald		
D534,938 S	*	1/2007	Beasley	D14/130
D586,836 S	*	2/2009	Liow	D16/203
D589,996 S	*	4/2009	Kellar	D16/203
D590,863 S	*	4/2009	Ke	D16/202
D624,577 S	*	9/2010	Kujawski	D16/203

D635,173 S	*	3/2011	Yamakawa	D16/203
D696,329 S	*	12/2013	Horiki	D16/203
D701,893 S		4/2014	Bart et al.		
D709,118 S	*	7/2014	Yu	D16/203
D709,889 S		7/2014	Shen		
D727,388 S		4/2015	Huang et al.		
D728,655 S		5/2015	Daniel		
D731,906 S		6/2015	Troutman et al.		
D746,350 S	*	12/2015	Li	D16/203
D747,383 S	*	1/2016	Li	D16/203
D764,958 S	*	8/2016	Scalisi	D10/118.2
2009/0201413 A1	*	8/2009	Fishman	H04N 5/2252 348/373

* cited by examiner

Primary Examiner — Susan E Krakower

Assistant Examiner — Ramzi Almatrahi

(74) *Attorney, Agent, or Firm* — Panasonic IP Management; Kerry S. Culpepper

(57) **CLAIM**

I claim the ornamental design for a camera, as shown and described.

DESCRIPTION

FIG. 1 is a front perspective view of a camera of the present invention;
FIG. 2 is a rear perspective view thereof;
FIG. 3 is a front view thereof;
FIG. 4 is a rear view thereof;
FIG. 5 is a left side view thereof;
FIG. 6 is a right side view thereof;
FIG. 7 is a top view thereof; and,
FIG. 8 is a bottom view thereof.

The dash-dash broken lines depict portions of the camera in which the design is embodied that form no part of the claimed design. Additionally, the dash-dot broken lines denote the boundary of the claim and forms no part of the claimed design.

1 Claim, 8 Drawing Sheets

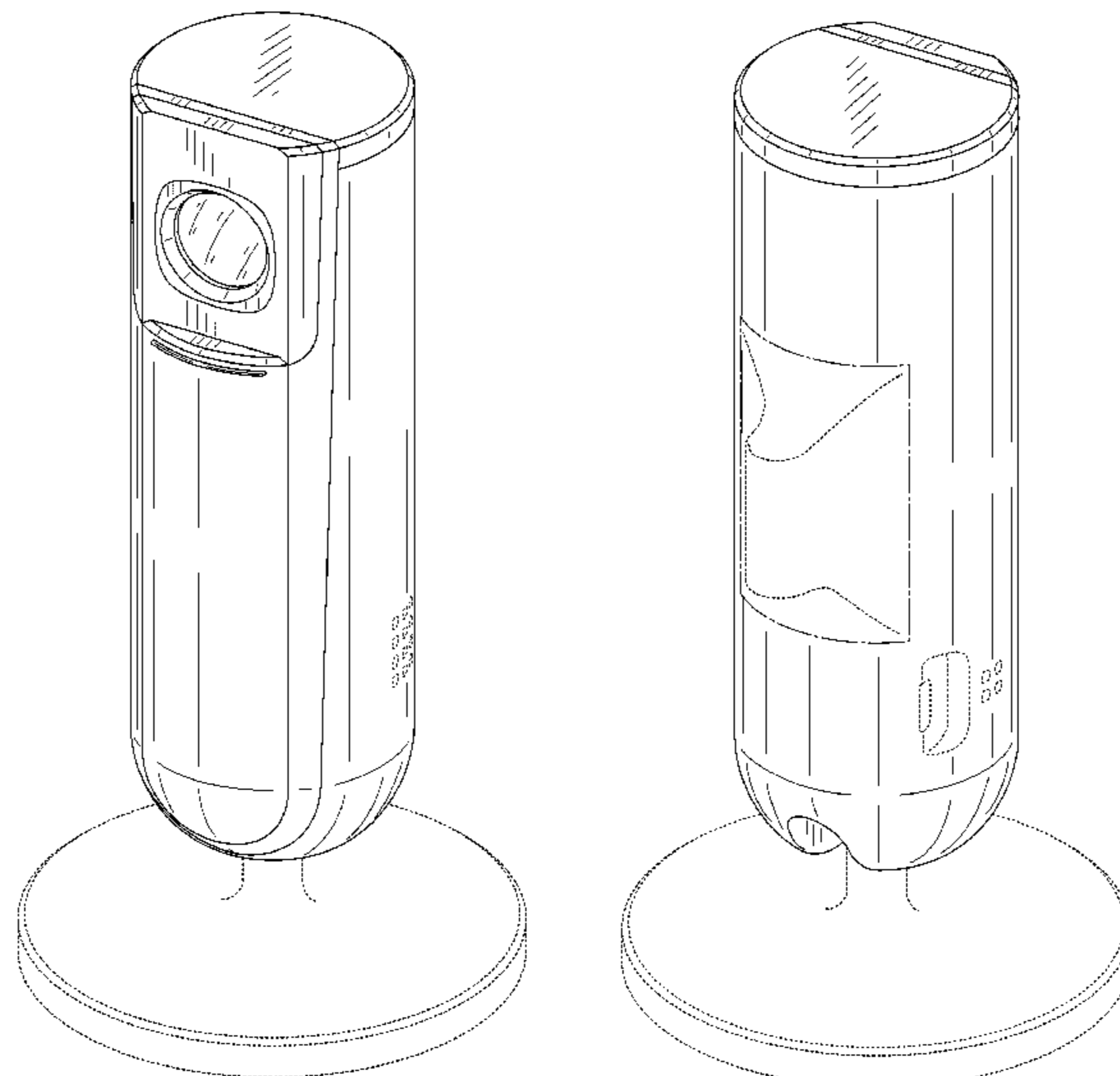


FIG. 1

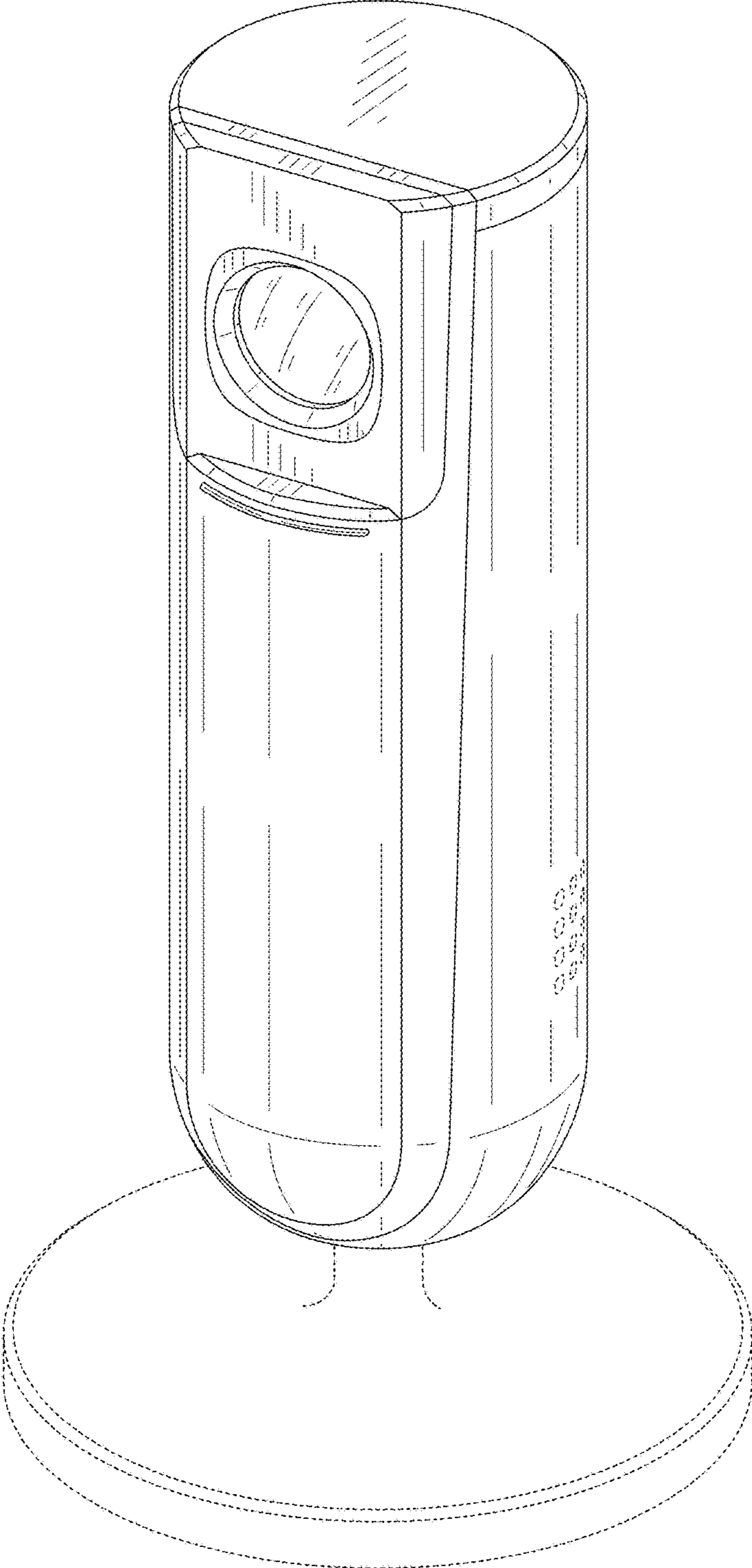


FIG. 2

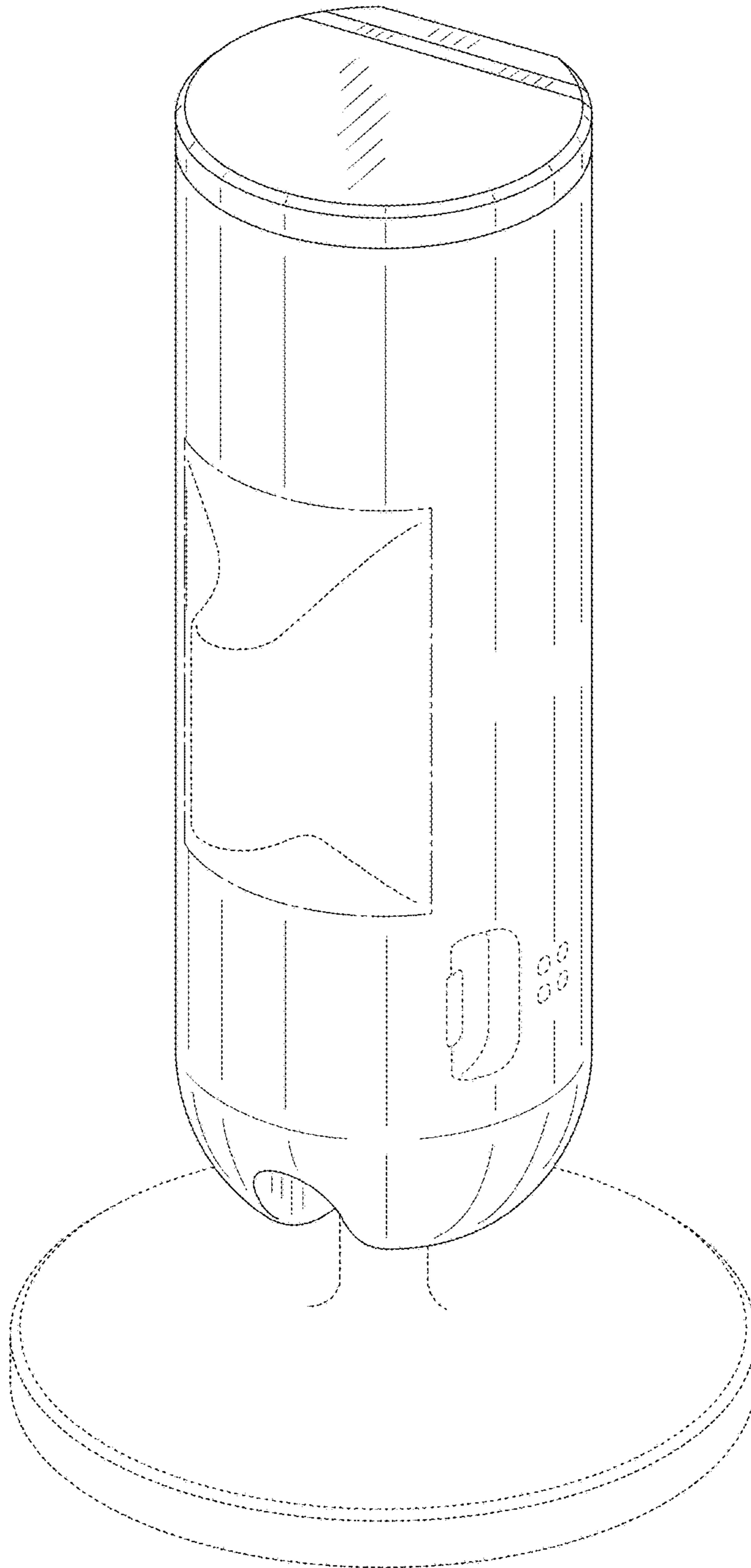


FIG. 3

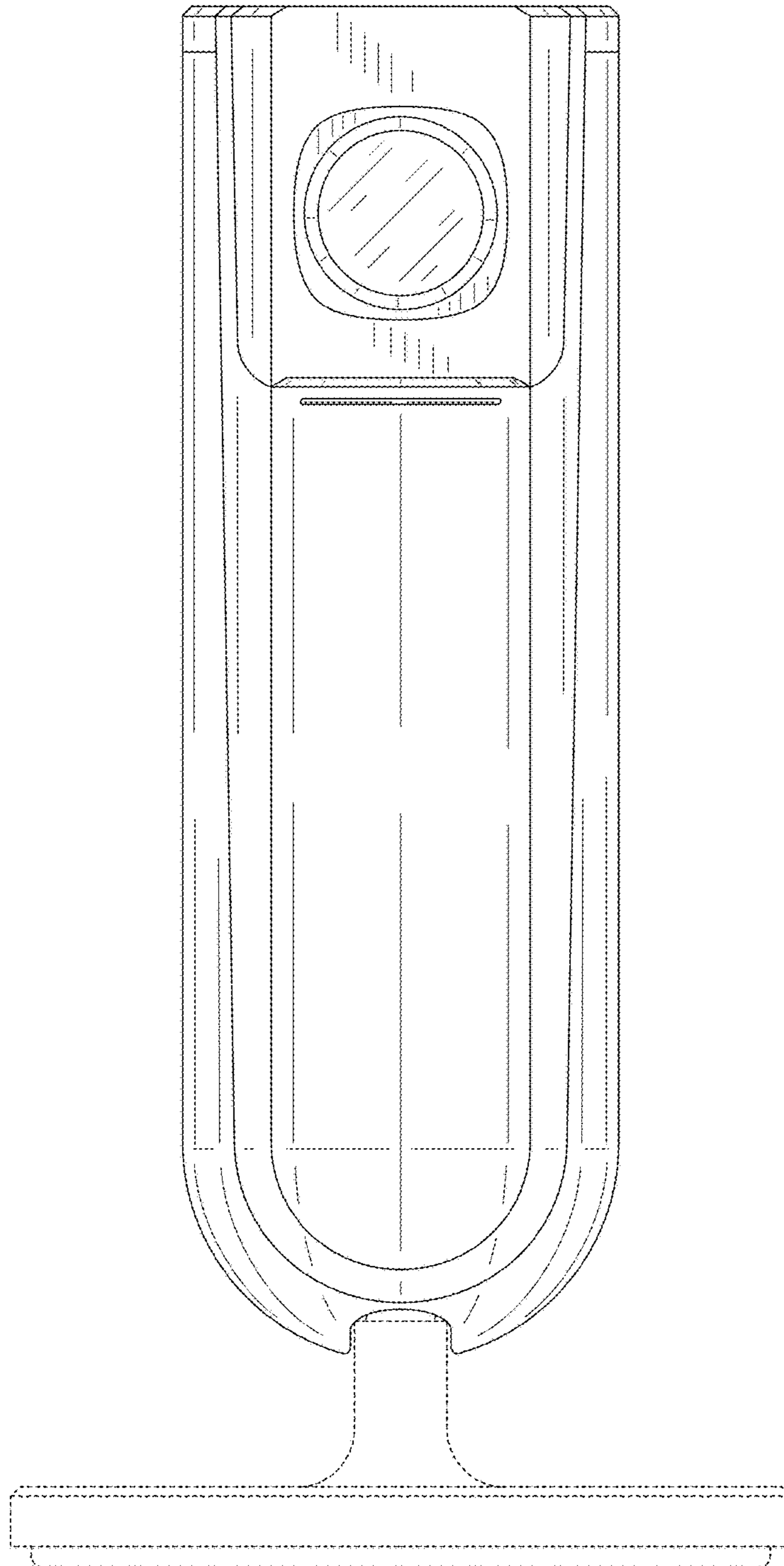


FIG. 4

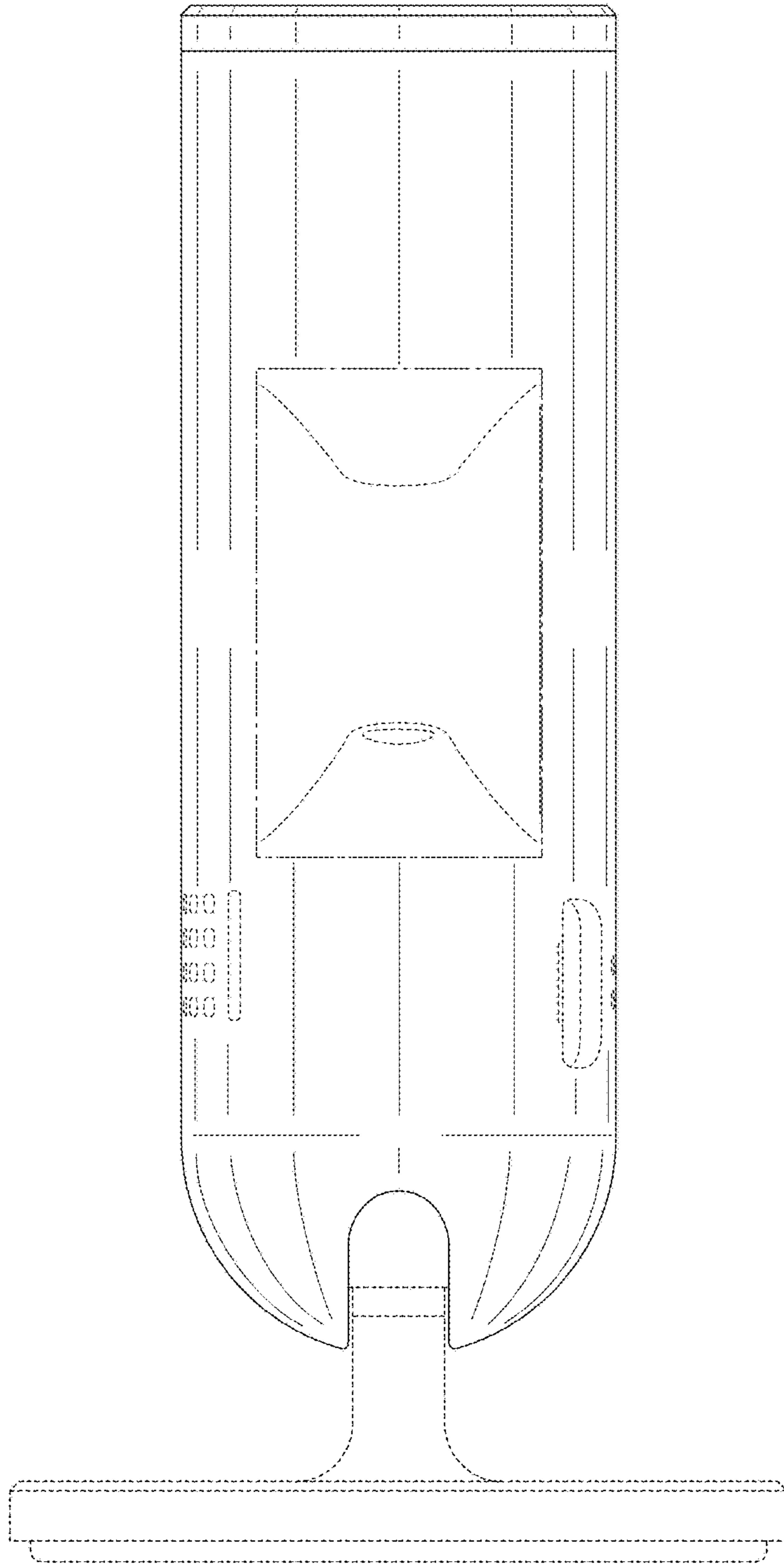


FIG. 5

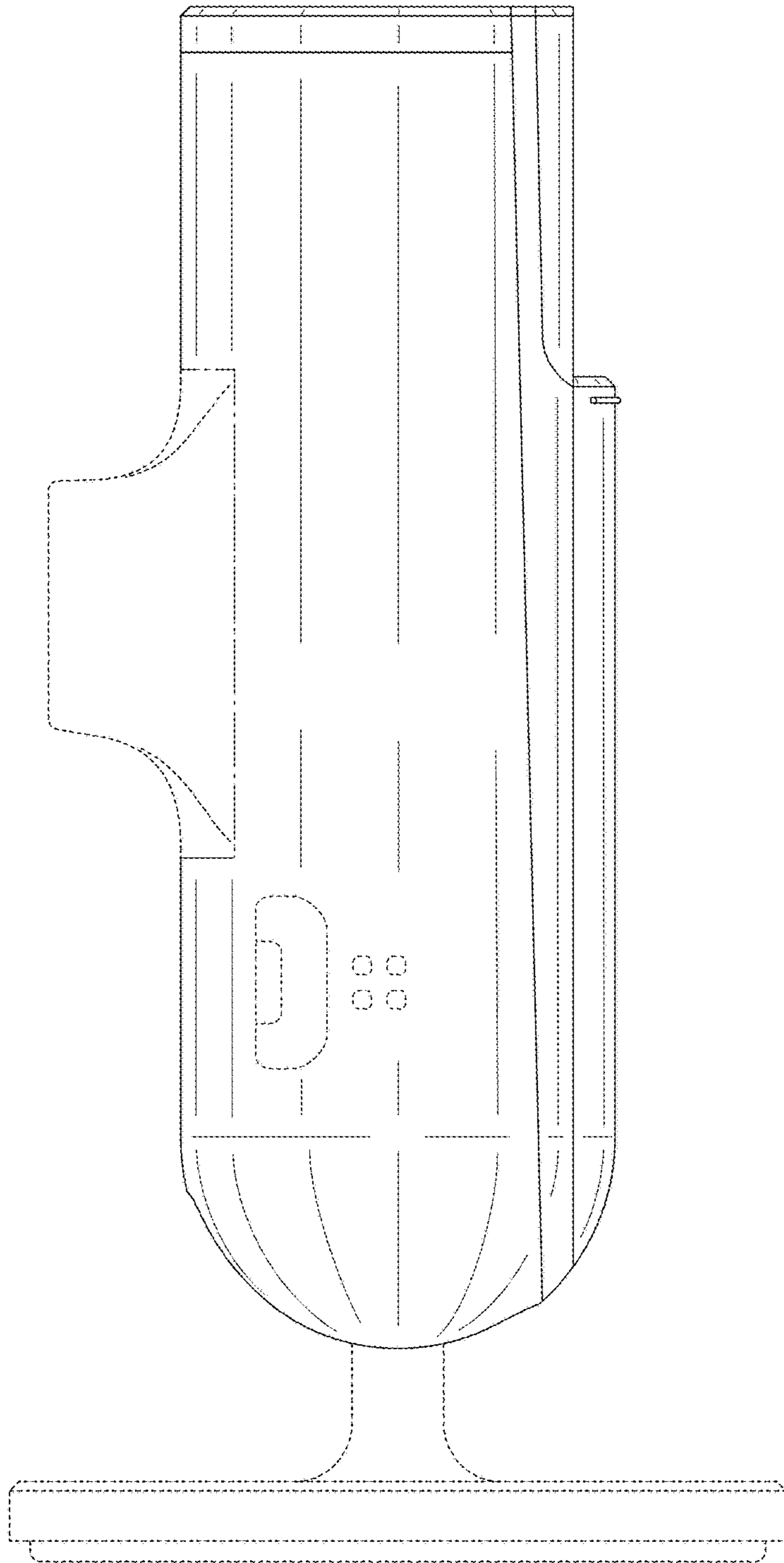


FIG. 6

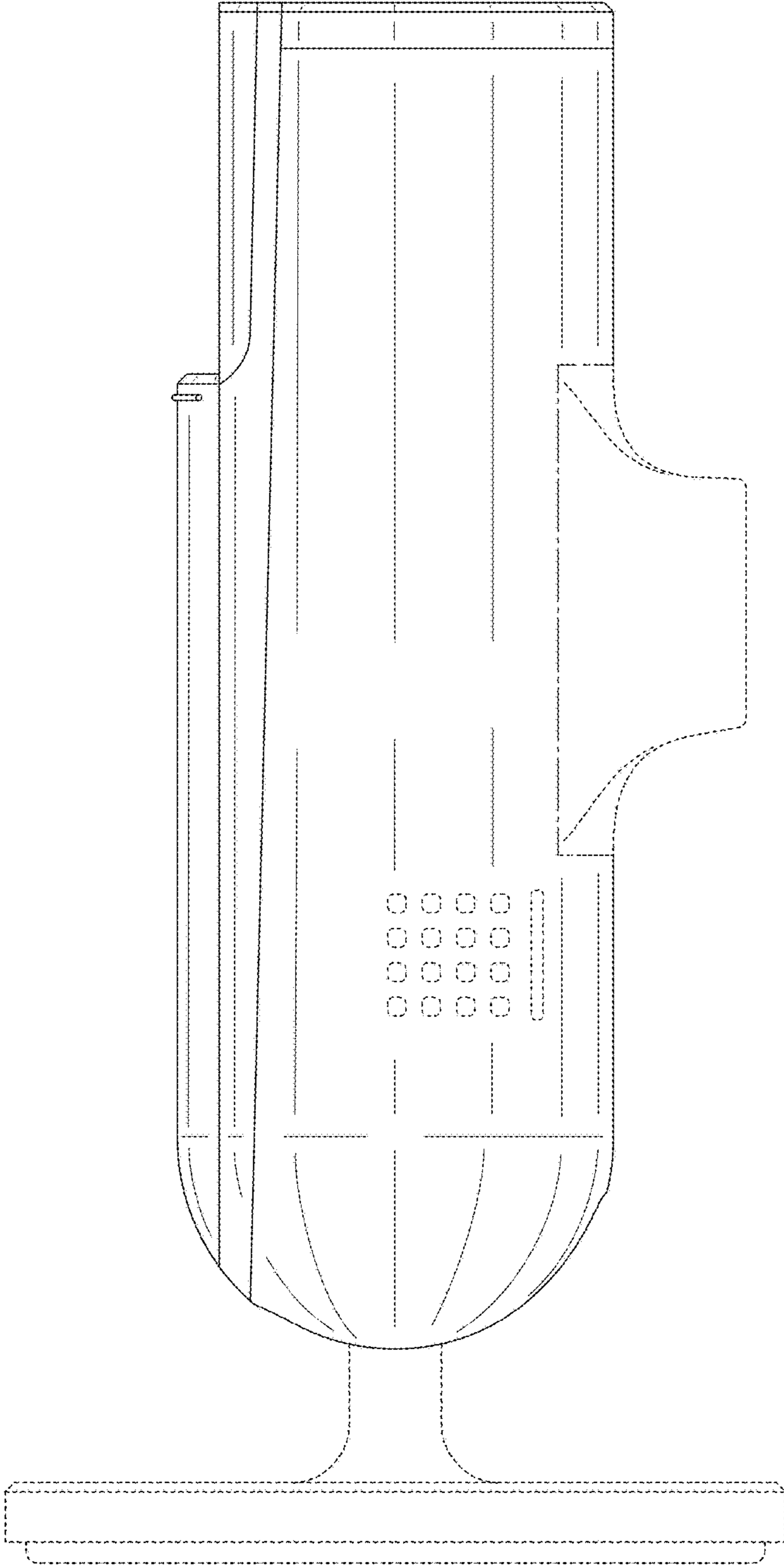


FIG. 7

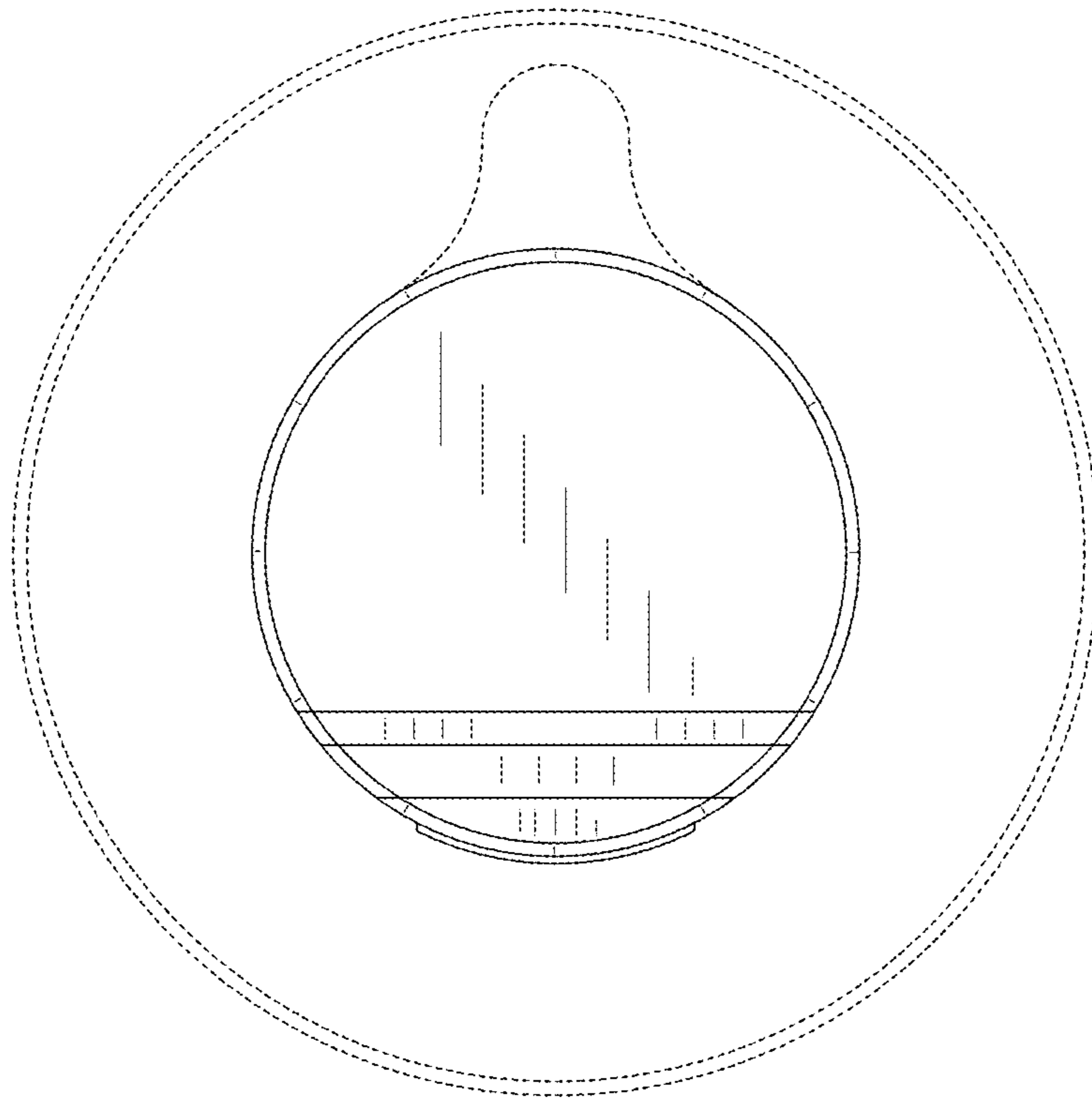


FIG. 8

