



US00D776739S

(12) **United States Design Patent**
Urashima

(10) **Patent No.:** **US D776,739 S**
(45) **Date of Patent:** **** Jan. 17, 2017**

(54) **SURVEILLANCE CAMERA**
(71) Applicant: **Panasonic Intellectual Property Management Co., Ltd., Osaka (JP)**
(72) Inventor: **Yoshihito Urashima, Fukuoka (JP)**
(73) Assignee: **Panasonic Intellectual Property Management Co., Ltd., Osaka (JP)**

(**) Term: **15 Years**
(21) Appl. No.: **29/533,139**
(22) Filed: **Jul. 14, 2015**

(30) **Foreign Application Priority Data**
Feb. 3, 2015 (JP) 2015-002039
(51) **LOC (10) Cl.** **16-01**
(52) **U.S. Cl.**
USPC **D16/203**
(58) **Field of Classification Search**
USPC D16/200, 202-206, 218, 219, 242;
348/143, 148, 151, 373-376; 396/419,
396/427, 535, 539-541
CPC G03B 17/02; G03B 19/04; G03B 17/56;
G03B 17/04; G03B 15/03; H04N 5/2251;
H04N 5/2252; H04N 5/2253; H04N
5/2254; H04N 7/181; H04N 7/183; H04N
7/18; G08B 13/1963; G08B
13/19619; G08B 13/19632; F16M 11/04;
F16M 13/00
See application file for complete search history.

(56) **References Cited**
U.S. PATENT DOCUMENTS
D340,253 S 10/1993 Fedorczak
6,503,000 B1* 1/2003 Kim G03B 5/06
348/143

D517,585 S * 3/2006 Iino D16/203
D520,548 S * 5/2006 Tsai D16/203
D550,738 S 9/2007 Hsia
D562,372 S * 2/2008 Takahashi D16/202
D583,845 S 12/2008 Hayashi et al.
D594,497 S 6/2009 Hatori et al.
7,719,610 B2* 5/2010 Kung H04N 5/2252
348/143
D660,339 S 5/2012 Yoshida
D716,863 S 11/2014 Zutell et al.
D719,204 S * 12/2014 Nakanishi D16/203
D728,654 S * 5/2015 Lee D16/202
D751,619 S * 3/2016 Jeong D16/203
D752,675 S * 3/2016 Ravat D16/203
D753,204 S * 4/2016 Luo D16/202
D753,205 S * 4/2016 Stark D16/203
D753,206 S * 4/2016 Ravat D16/203
D757,835 S * 5/2016 Tabuchi D16/203

* cited by examiner

Primary Examiner — Susan E Krakower
Assistant Examiner — Ramzi Almatrahi
(74) *Attorney, Agent, or Firm* — Panasonic IP Management; Kerry S. Culpepper

(57) **CLAIM**

I claim the ornamental design for a surveillance camera, as shown and described.

DESCRIPTION

FIG. 1 is a front perspective view of a surveillance camera of the present invention;
FIG. 2 is a front view thereof;
FIG. 3 is a rear view thereof;
FIG. 4 is a left side view thereof;
FIG. 5 is a right side view thereof;
FIG. 6 is a top view thereof; and,
FIG. 7 is a bottom view thereof.
The broken lines depict portions of the surveillance camera in which the design is embodied that form no part of the claimed design.

1 Claim, 7 Drawing Sheets

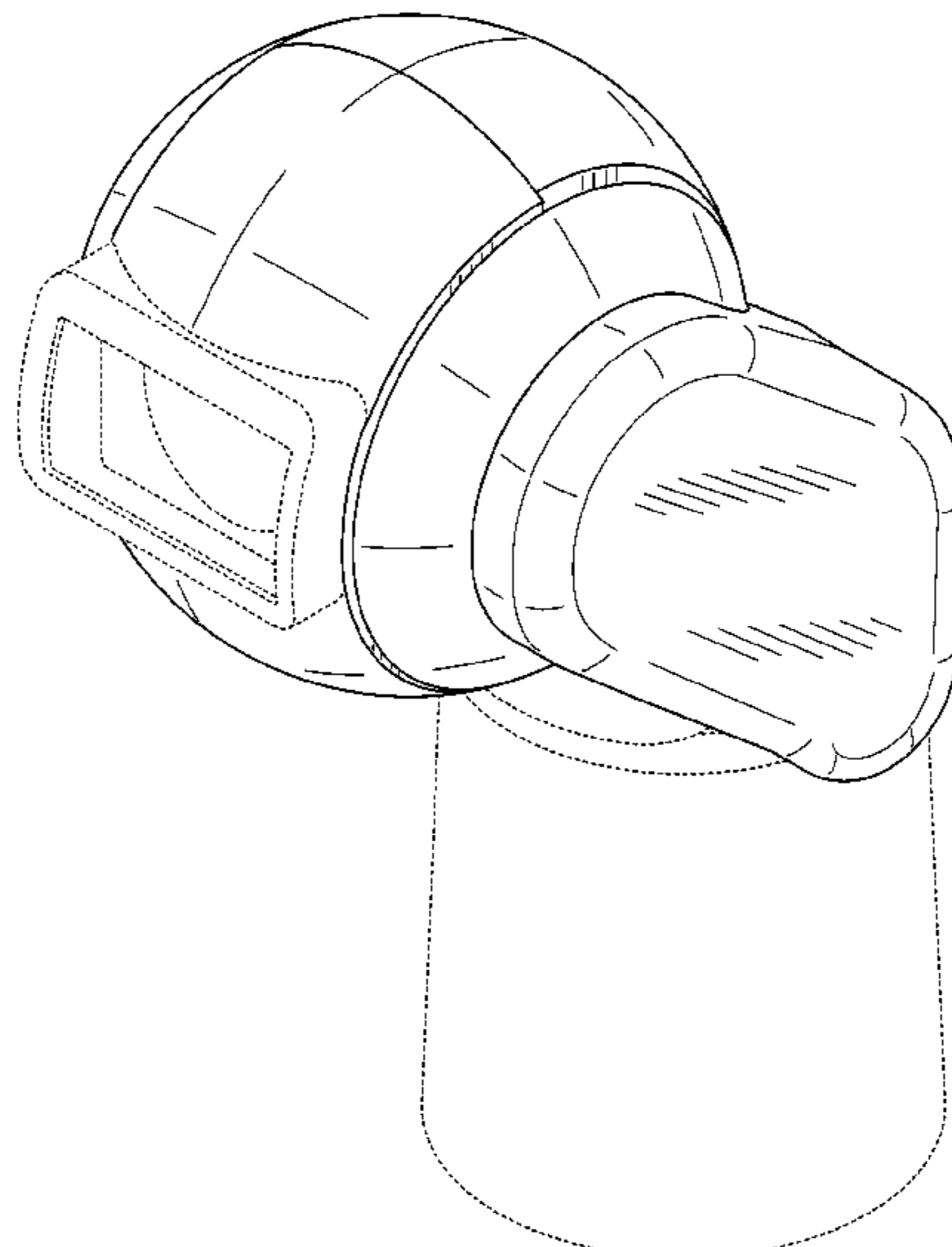


FIG. 1

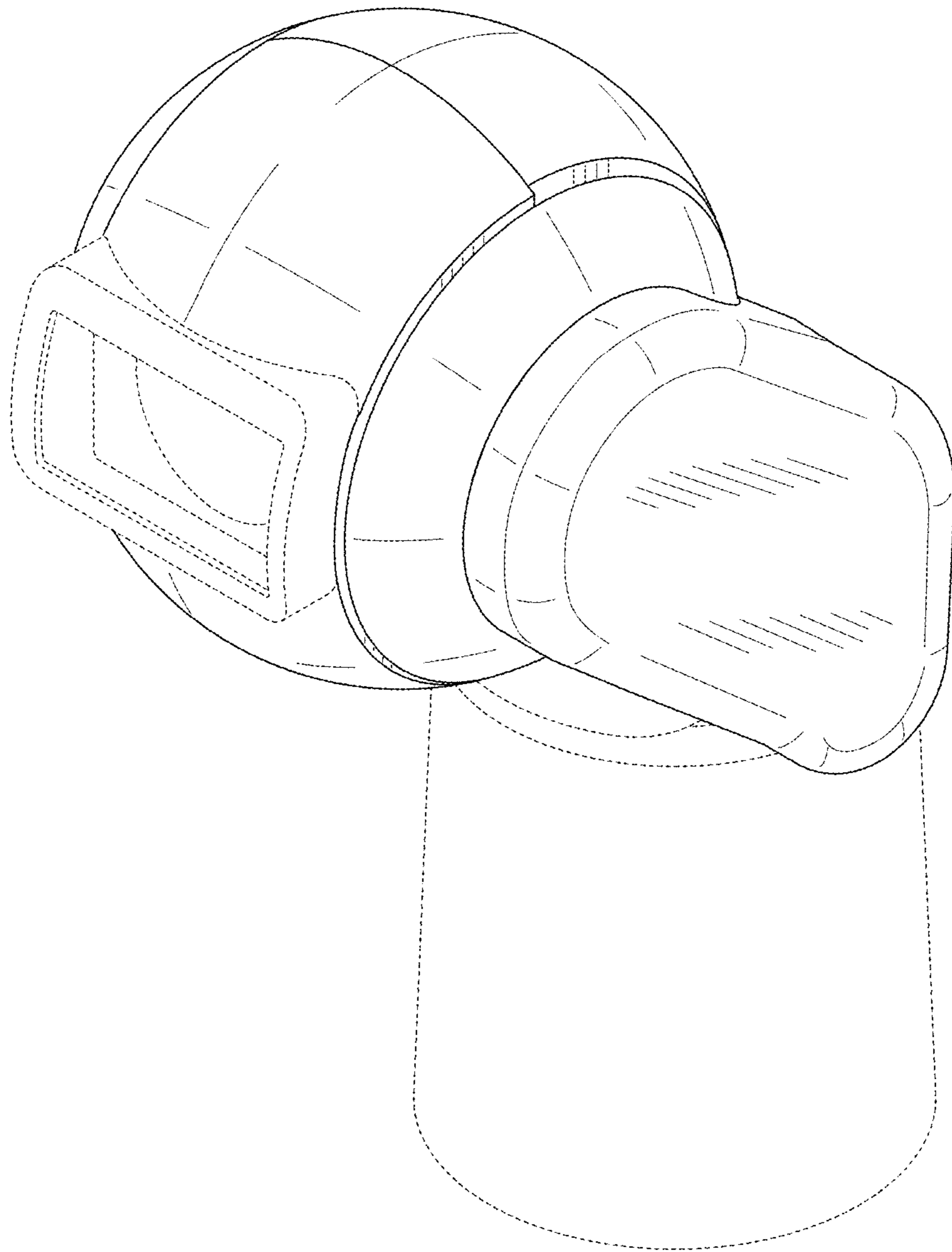


FIG. 2

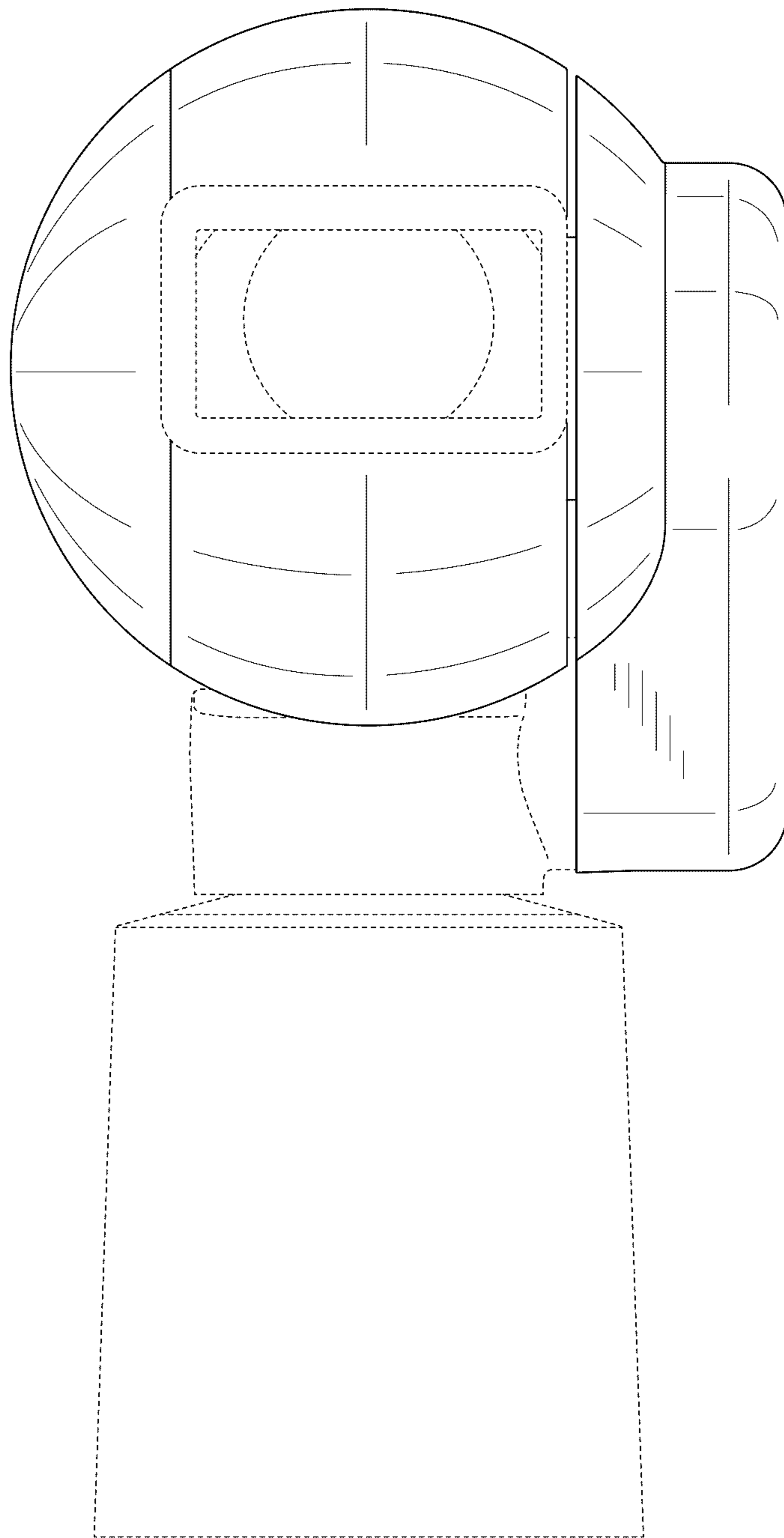


FIG. 3

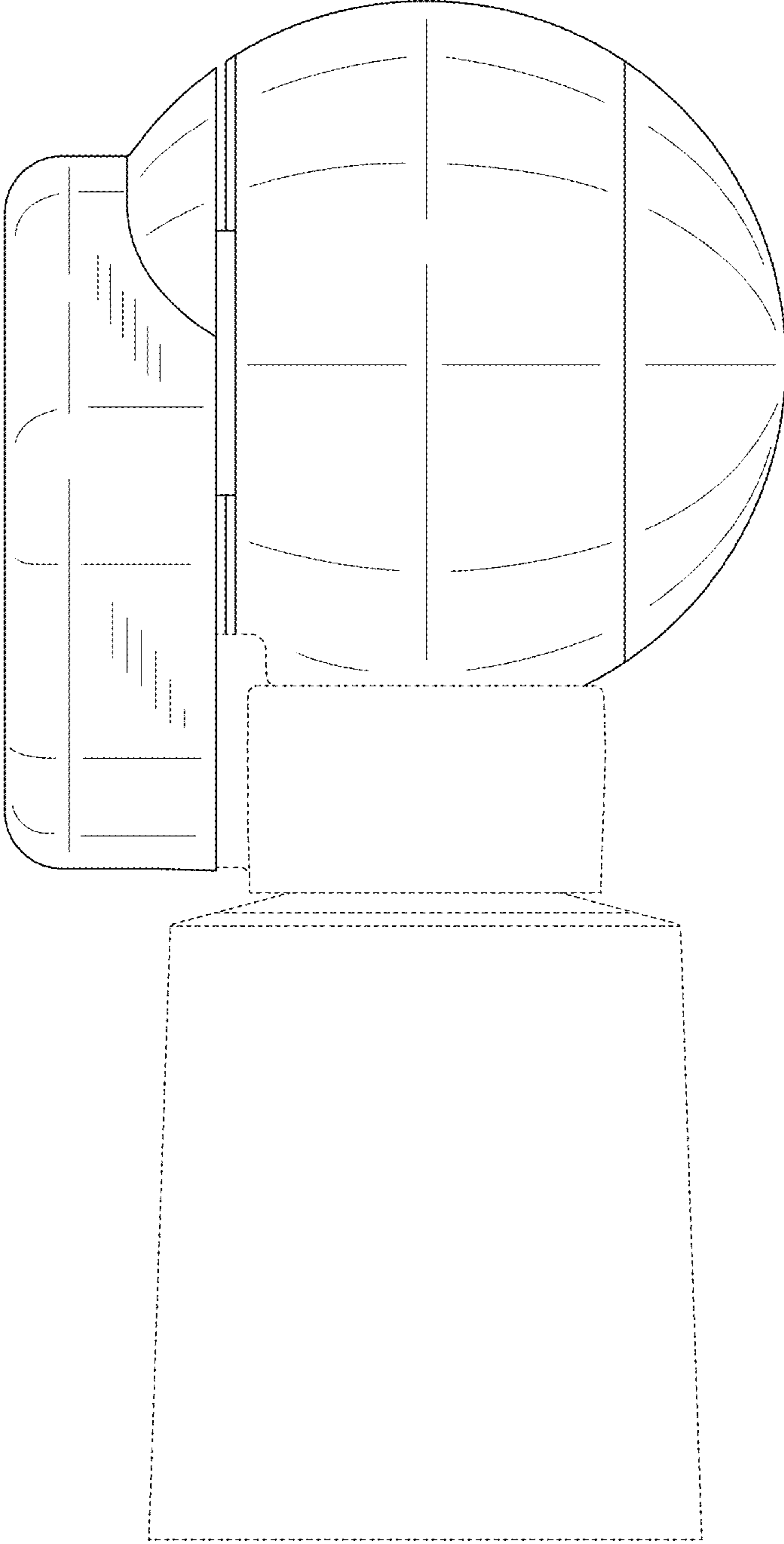


FIG. 4

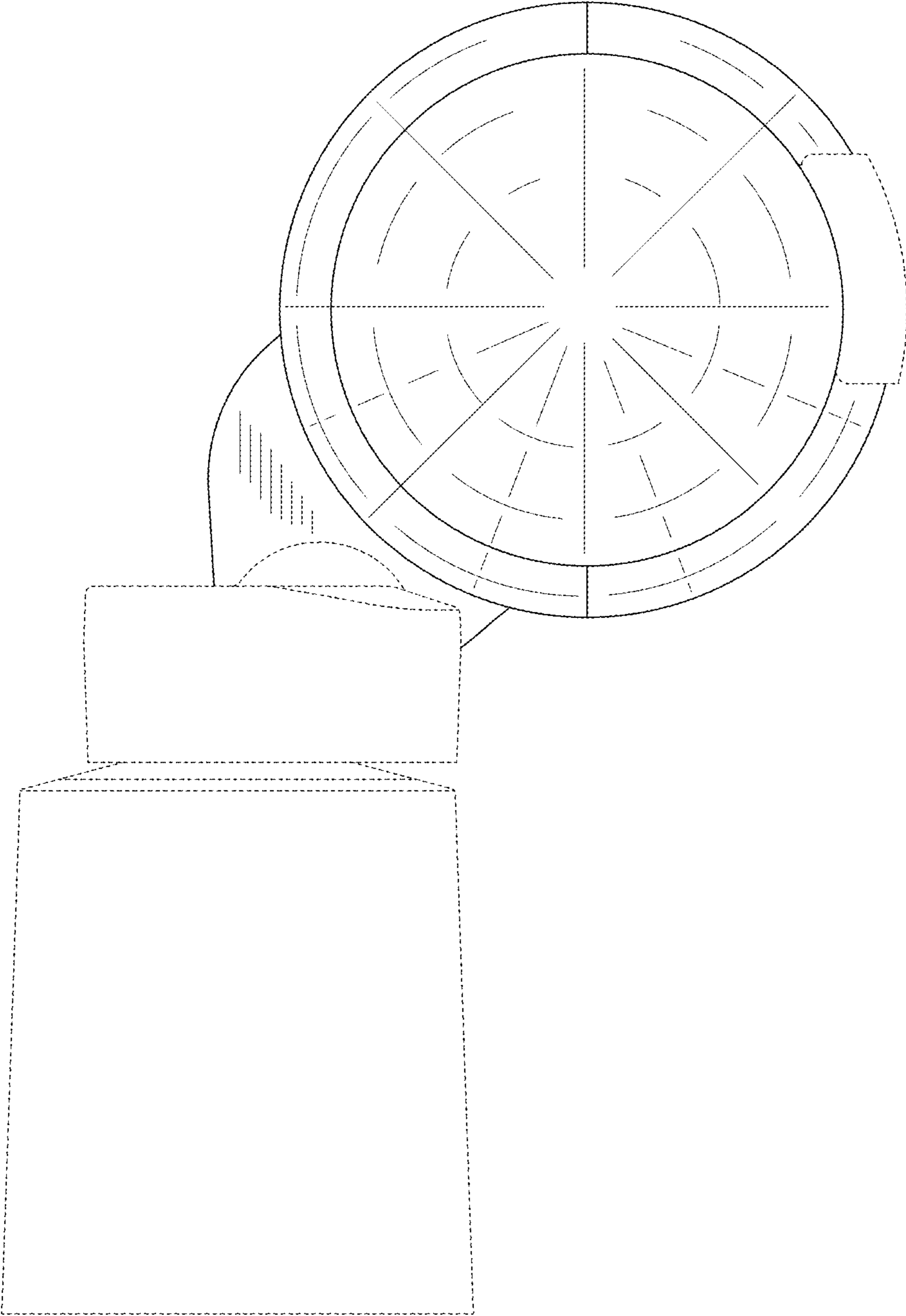


FIG. 5

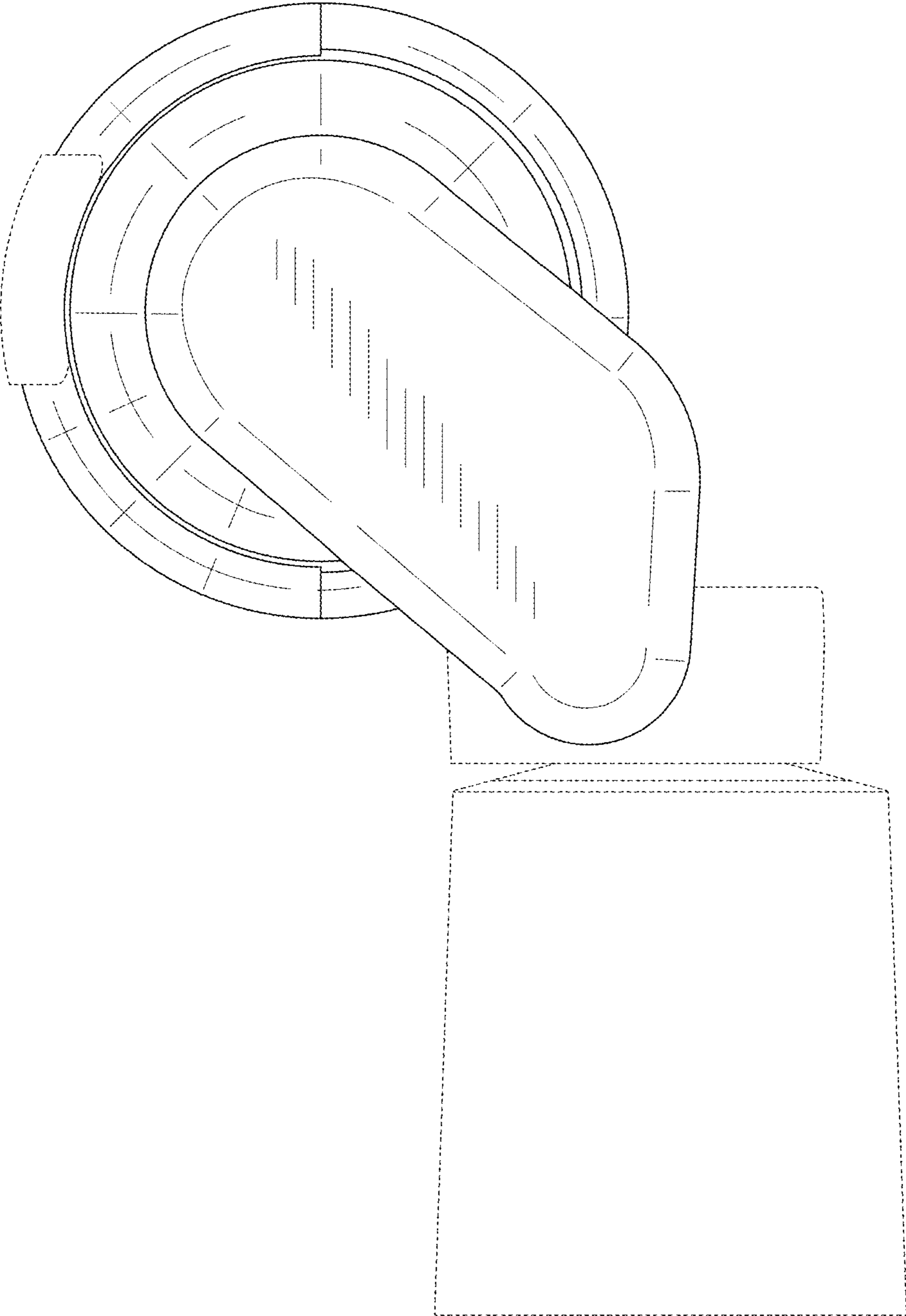


FIG. 6

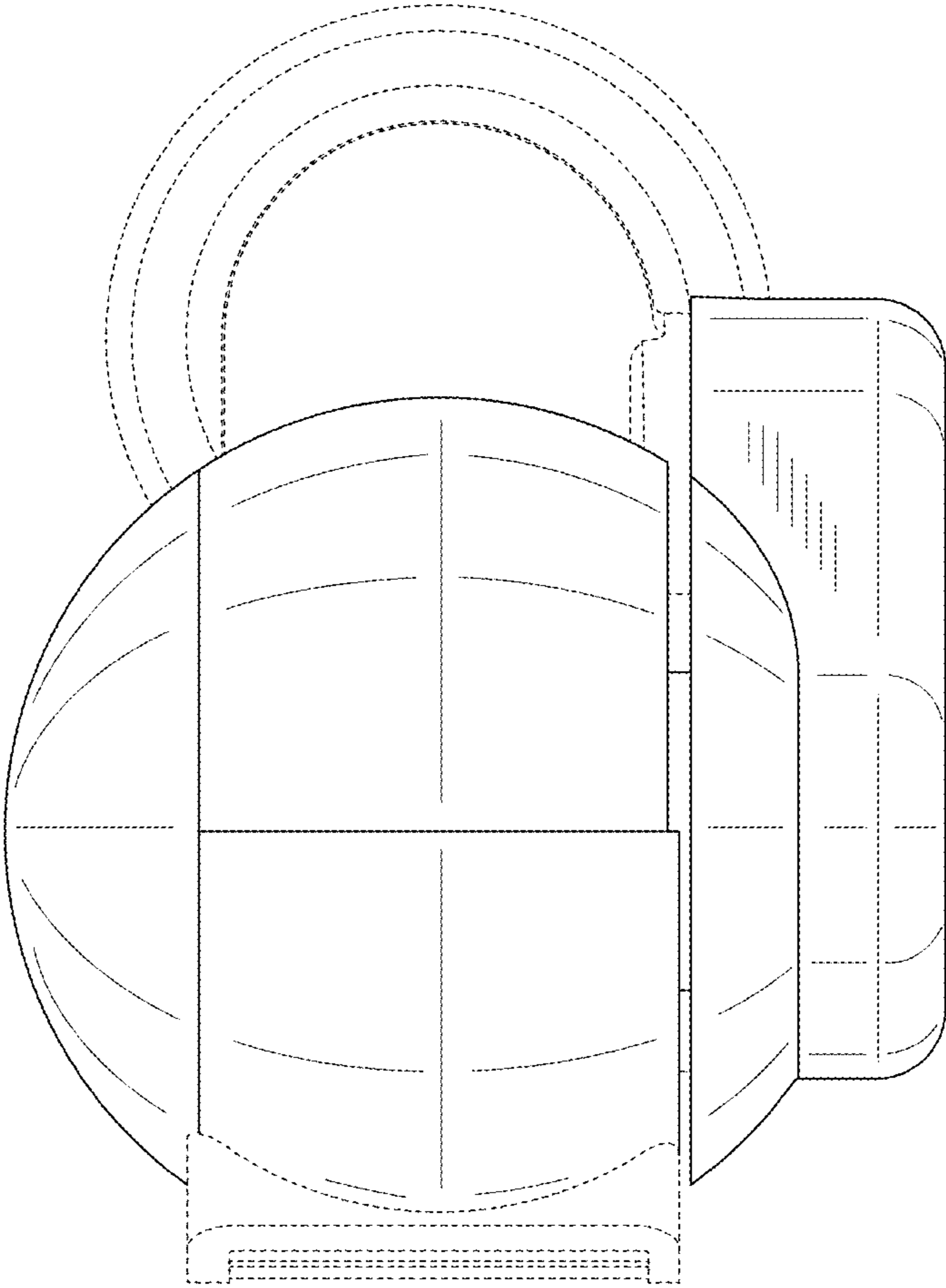


FIG. 7

