



US00D776738S

(12) **United States Design Patent**
Clearman et al.

(10) **Patent No.:** **US D776,738 S**
(45) **Date of Patent:** **** Jan. 17, 2017**

(54) **CAMERA HOUSING**

(71) Applicant: **GoPro, Inc.**, San Mateo, CA (US)

(72) Inventors: **Christopher Aaron Clearman**, Half Moon Bay, CA (US); **Seungheon Lee**, Cupertino, CA (US); **Joseph Chun**, El Dorado Hills, CA (US)

(73) Assignee: **GoPro, Inc.**, San Mateo, CA (US)

(**) Term: **15 Years**

(21) Appl. No.: **29/556,096**

(22) Filed: **Feb. 26, 2016**

Related U.S. Application Data

(63) Continuation of application No. 29/256,516, filed on May 11, 2015, now Pat. No. Des. 752,672.

(51) **LOC (10) Cl.** **16-01**

(52) **U.S. Cl.**
USPC **D16/200**

(58) **Field of Classification Search**
USPC D16/200, 202–204, 208, 211, 218, 219, D16/237, 242; 248/176.1, 187.1; 348/81, 360, 348/373–376, 835; 396/25, 396/27–29, 419, 535, 539–541

CPC G03B 15/03; G03B 17/02; G03B 17/04; G03B 17/08; G03B 17/56; G03B 19/04; H04N 5/2251; H04N 5/2252; H04N 5/2253; H04N 5/2254; A45C 11/38

See application file for complete search history.

(56) **References Cited**

U.S. PATENT DOCUMENTS

679,881 A	8/1901	Bullard
4,646,141 A	2/1987	Timmermans et al.
D441,386 S	5/2001	Yamazaki
D515,121 S	2/2006	Bleau et al.

D550,741 S	9/2007	Vernon
D646,313 S	10/2011	Woodman
8,467,675 B2	6/2013	Chen et al.
D699,276 S *	2/2014	Samuels D16/200
D699,277 S	2/2014	Samuels et al.
8,718,457 B2 *	5/2014	Clark G03B 17/561 396/27
D724,637 S *	3/2015	Samuels D16/200
D724,638 S *	3/2015	Samuels D16/200
D725,169 S	3/2015	Gioscia et al.
D727,387 S	4/2015	Hasegawa et al.
D752,671 S *	3/2016	Harrison D16/200
9,282,226 B2 *	3/2016	Samuels G03B 17/02
D759,141 S *	6/2016	Bacon D16/200
D760,312 S *	6/2016	Lee D16/218
D762,759 S *	8/2016	Wu D16/218
D763,941 S *	8/2016	Smith D16/200

* cited by examiner

Primary Examiner — Susan E Krakower

Assistant Examiner — Ramzi Almatrahi

(74) *Attorney, Agent, or Firm* — Fenwick & West LLP

(57) **CLAIM**

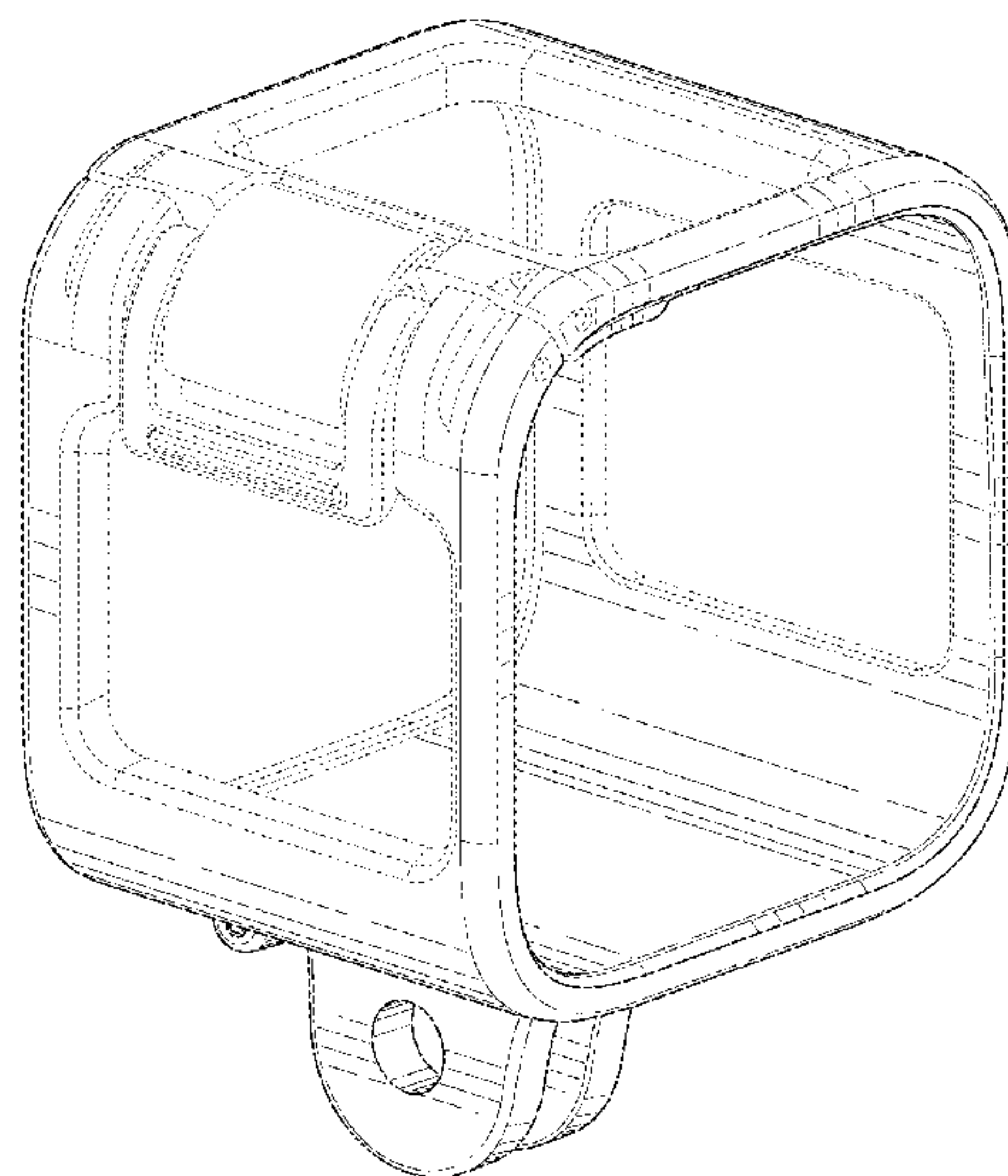
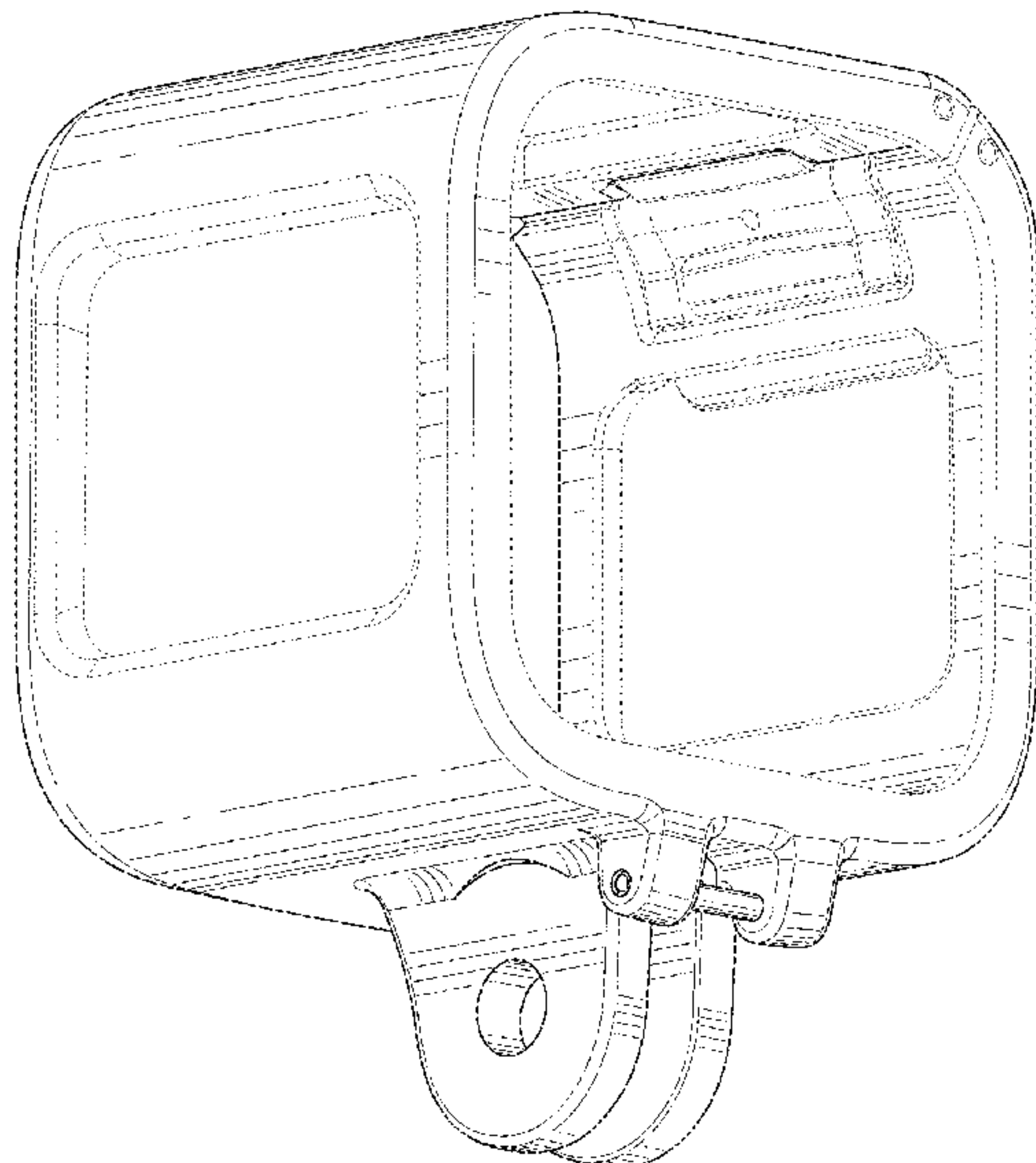
The ornamental design for a camera housing, as shown and described.

DESCRIPTION

FIG. 1 is a rear, bottom, and left side perspective view of a camera housing showing our new design; FIG. 2 is a front, top, and right side perspective view thereof; FIG. 3 is a front elevational view thereof; FIG. 4 is a rear elevational view thereof; FIG. 5 is a right side elevational view thereof; FIG. 6 is a left side elevational view thereof; FIG. 7 is a top plan view thereof; and, FIG. 8 is a bottom plan view thereof.

The broken lines depict portions of the camera housing in which the design is embodied that form no part of the claimed design.

1 Claim, 8 Drawing Sheets



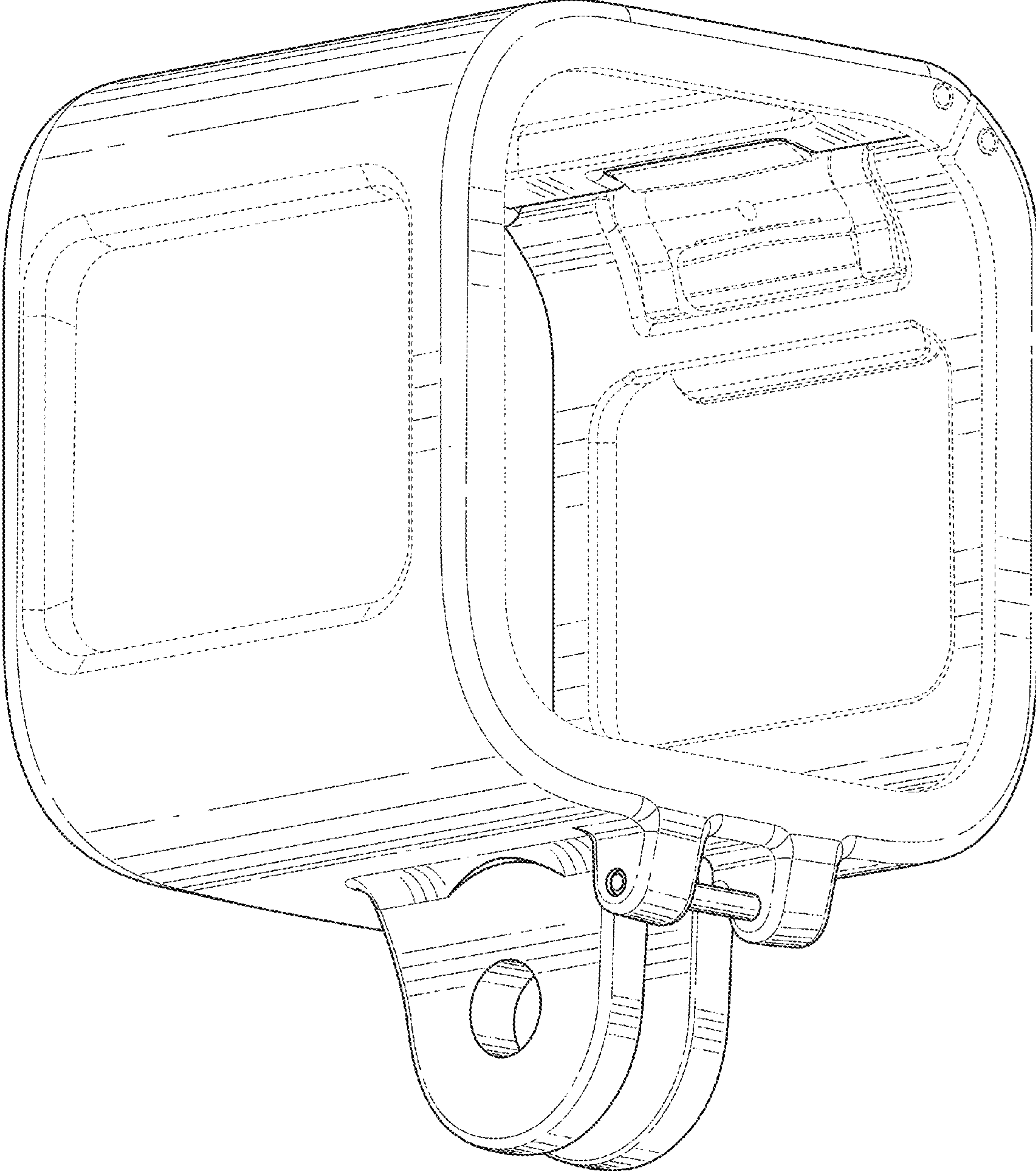


FIG. 1

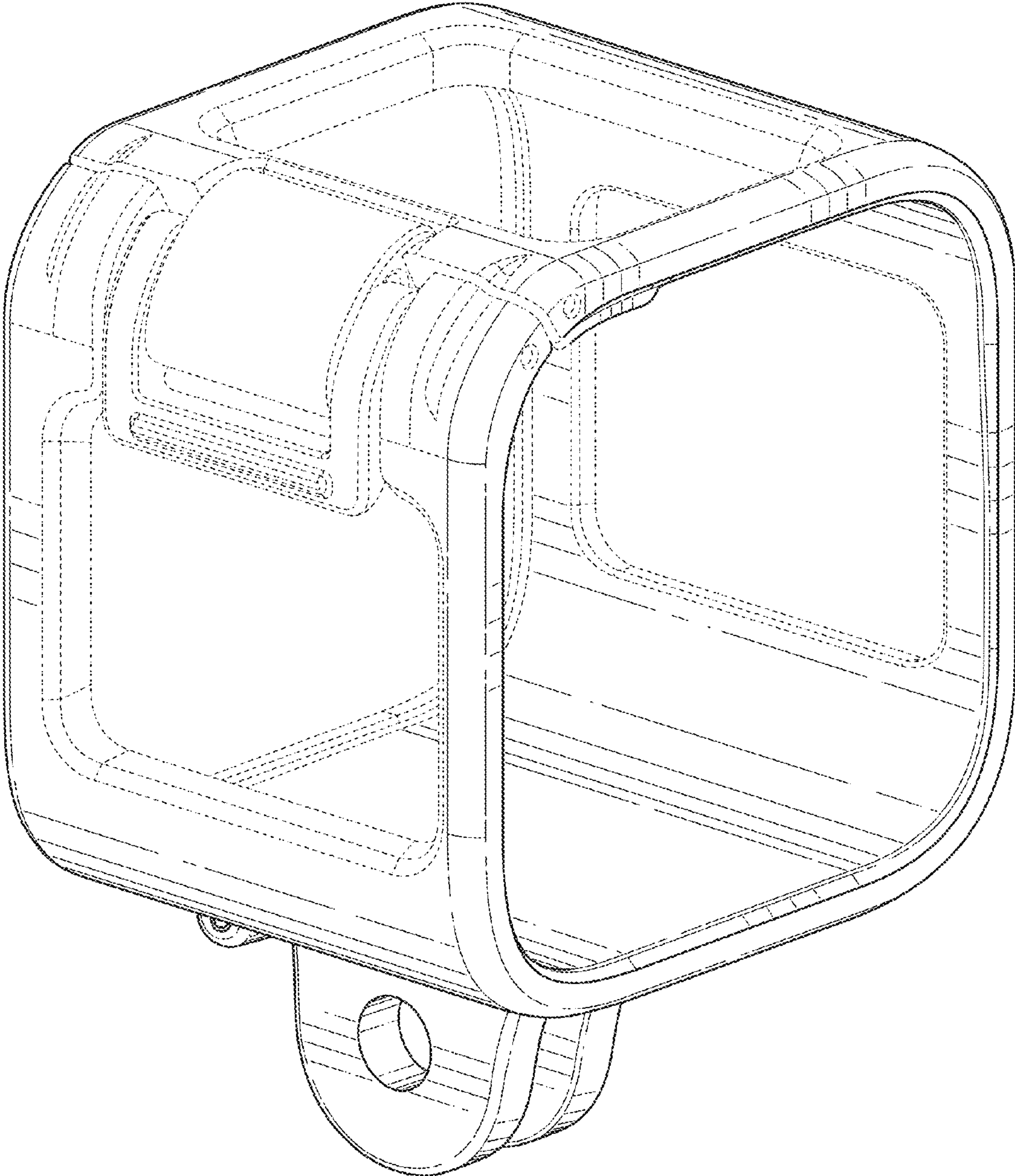


FIG. 2

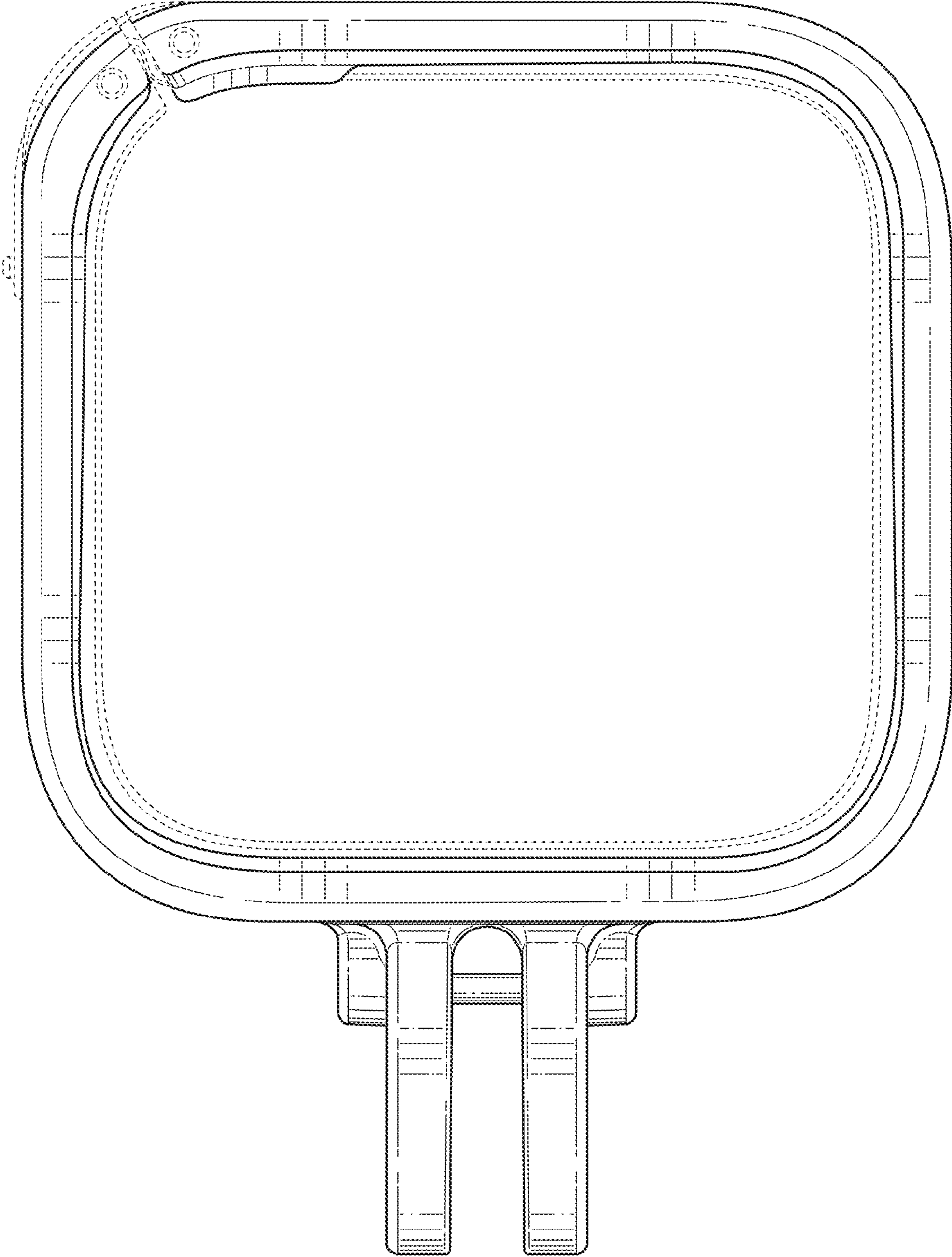


FIG. 3

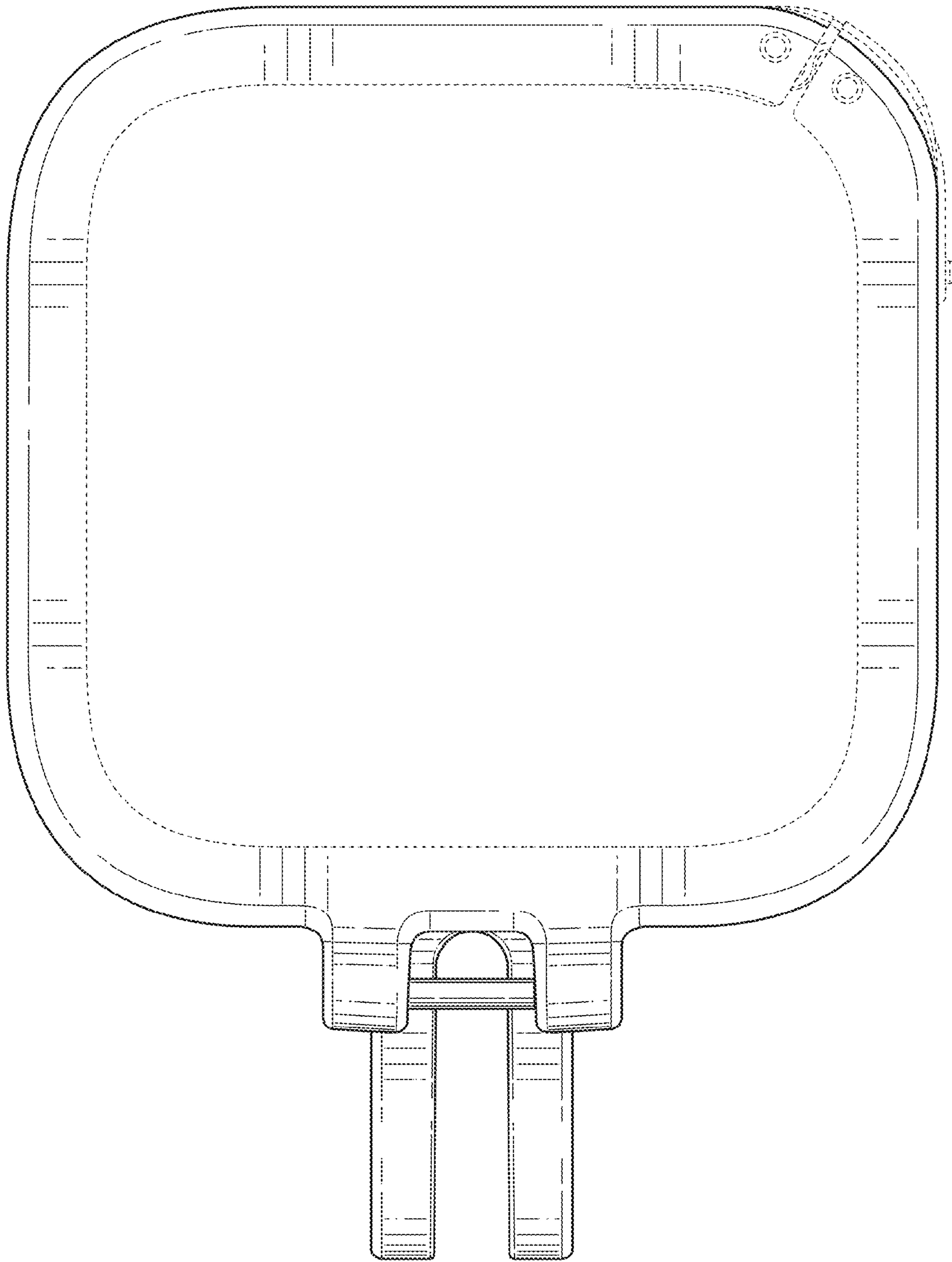


FIG. 4

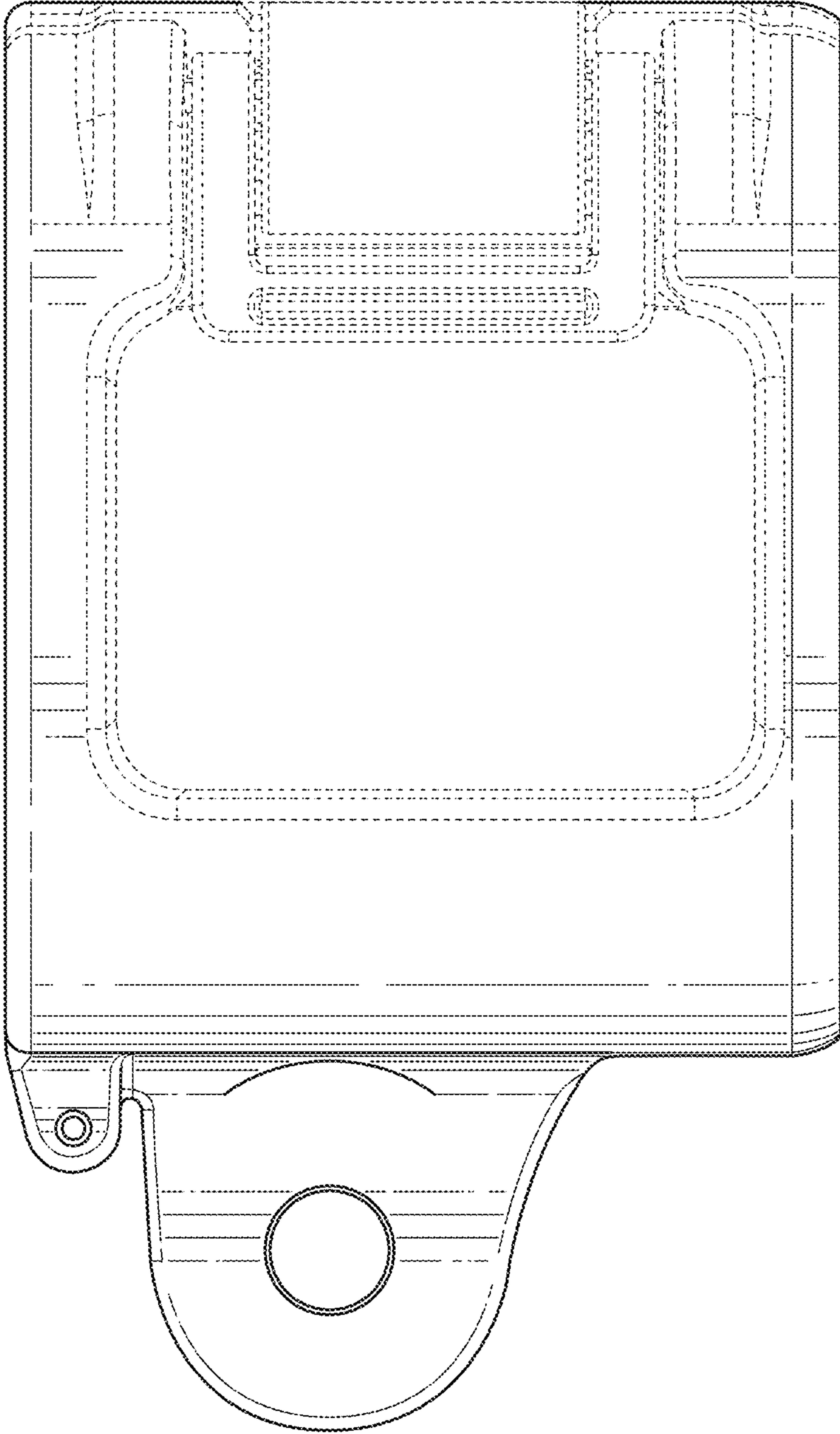


FIG. 5

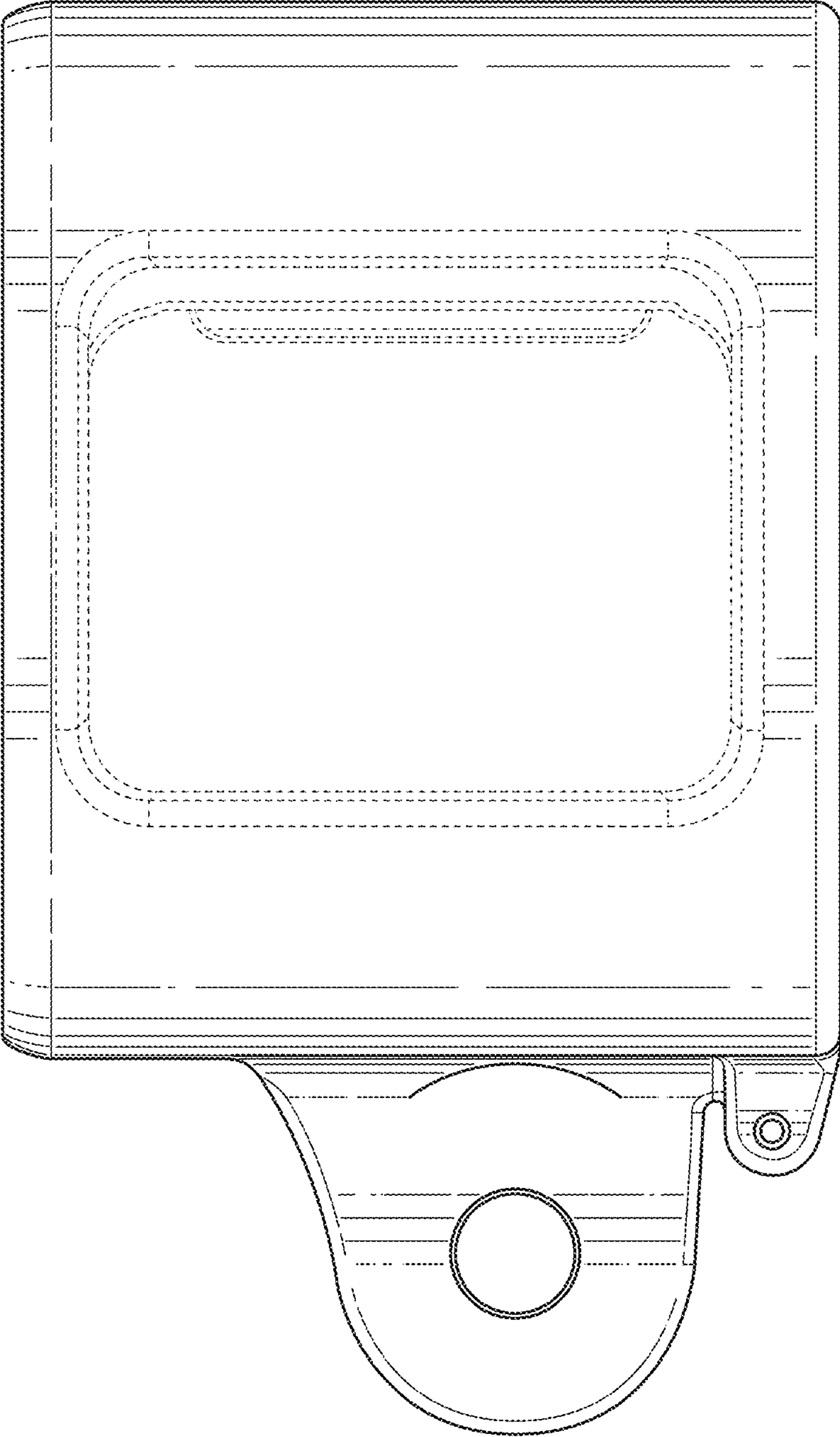


FIG. 6

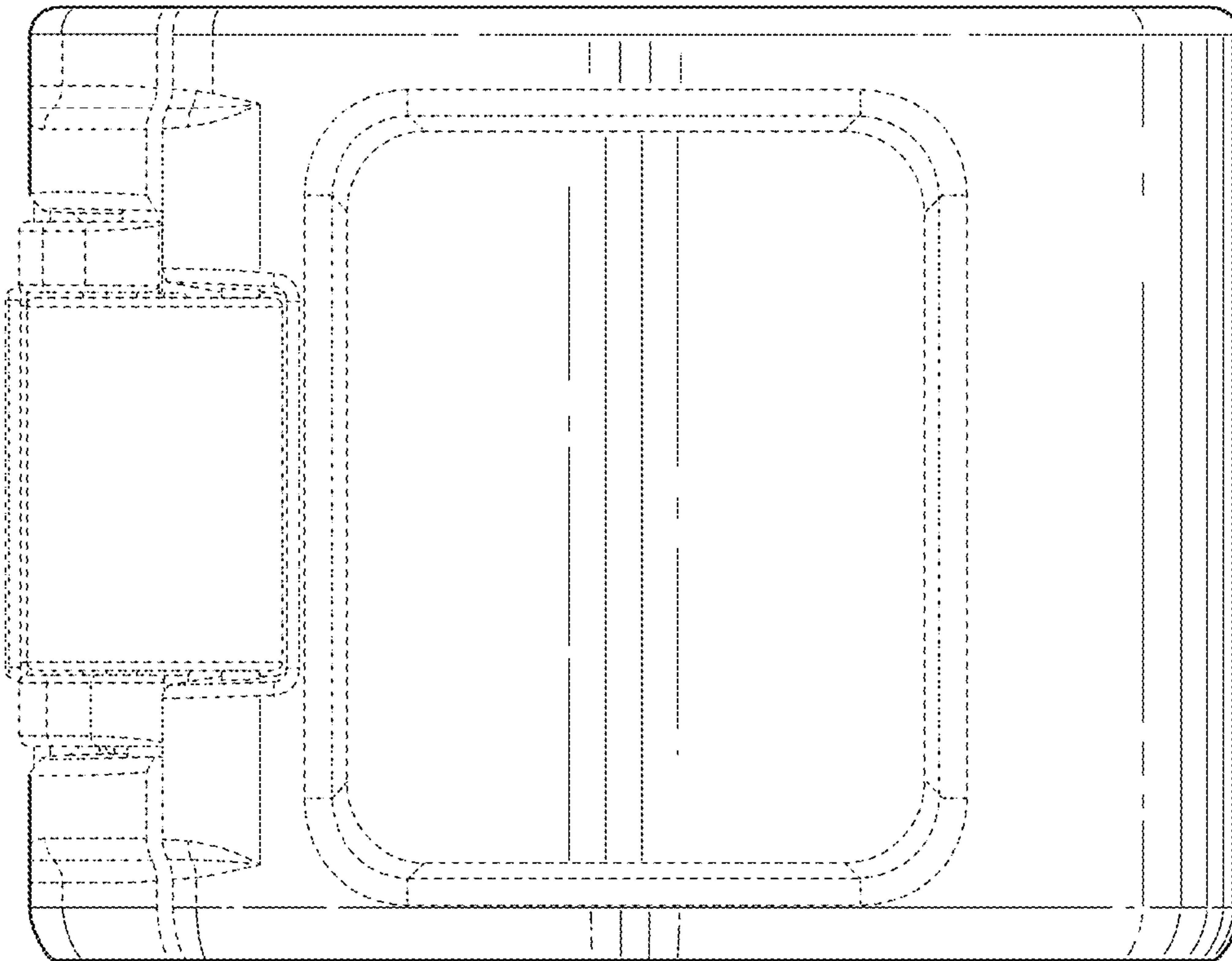


FIG. 7

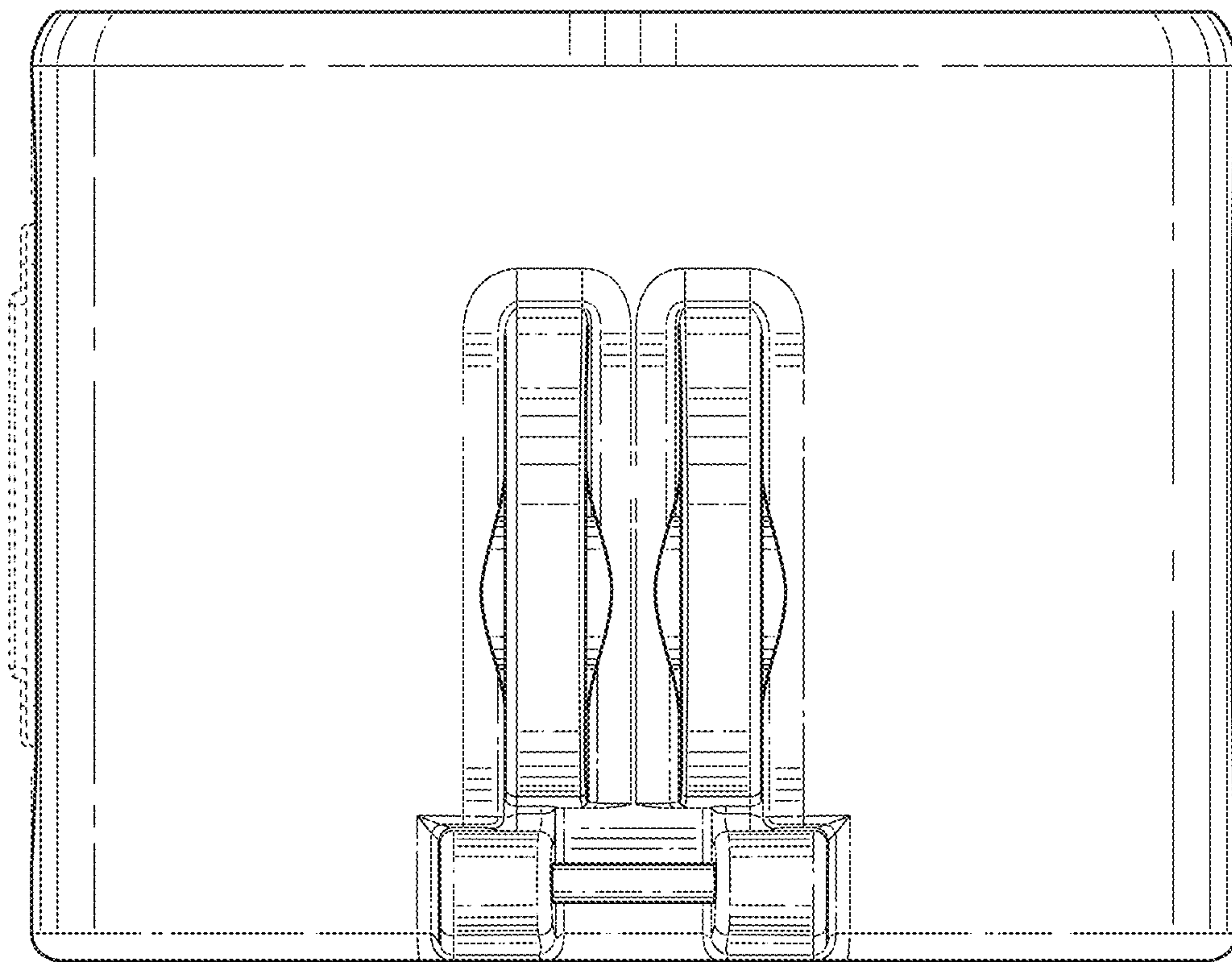


FIG. 8