



US00D776737S

(12) **United States Design Patent**  
**Horton et al.**

(10) **Patent No.:** **US D776,737 S**  
(45) **Date of Patent:** **\*\* Jan. 17, 2017**

(54) **LENS CAP**  
(71) Applicant: **Sellmark Corporation**, Mansfield, TX (US)  
(72) Inventors: **Jonathan Horton**, Arlington, TX (US); **Panfeng Li**, Zhuhai (CN)

D682,342 S \* 5/2013 Suzuki ..... D16/134  
D702,278 S \* 4/2014 Kim ..... D16/237  
D721,750 S \* 1/2015 Teetzel ..... D16/136  
D736,848 S \* 8/2015 Kim ..... D16/136  
D740,345 S \* 10/2015 Fujita ..... D16/219  
D751,135 S \* 3/2016 Bould ..... D16/237  
2014/0168800 A1\* 6/2014 Chen ..... G02B 7/025  
359/827

(73) Assignee: **Sellmark Corporation**, Mansfield, TX (US)

\* cited by examiner

(\*\*) Term: **14 Years**

*Primary Examiner* — Philip S Hyder

*Assistant Examiner* — Ramzi Almatrahi

(21) Appl. No.: **29/517,079**

(74) *Attorney, Agent, or Firm* — Mark D. Perdue

(22) Filed: **Feb. 10, 2015**

(51) **LOC (10) Cl.** ..... **16-06**

(57) **CLAIM**

(52) **U.S. Cl.**  
USPC ..... **D16/136; D16/237**

The ornamental design for a lens cap, as shown and described.

(58) **Field of Classification Search**

**DESCRIPTION**

USPC ..... D16/133, 134, 136, 200, 202–204, 218, D16/219, 235, 237; D22/108–110; D26/37–39, 44, 46, 49, 113; 348/360, 348/373–376, 835; 396/419, 535, 396/539–541; 359/529–532  
CPC ..... G03B 15/03; G03B 17/02; G03B 17/04; G03B 17/08; G03B 17/56; G03B 19/04; H04N 5/2251; H04N 5/2252; H04N 5/2253; H04N 5/2254; A45C 11/38  
See application file for complete search history.

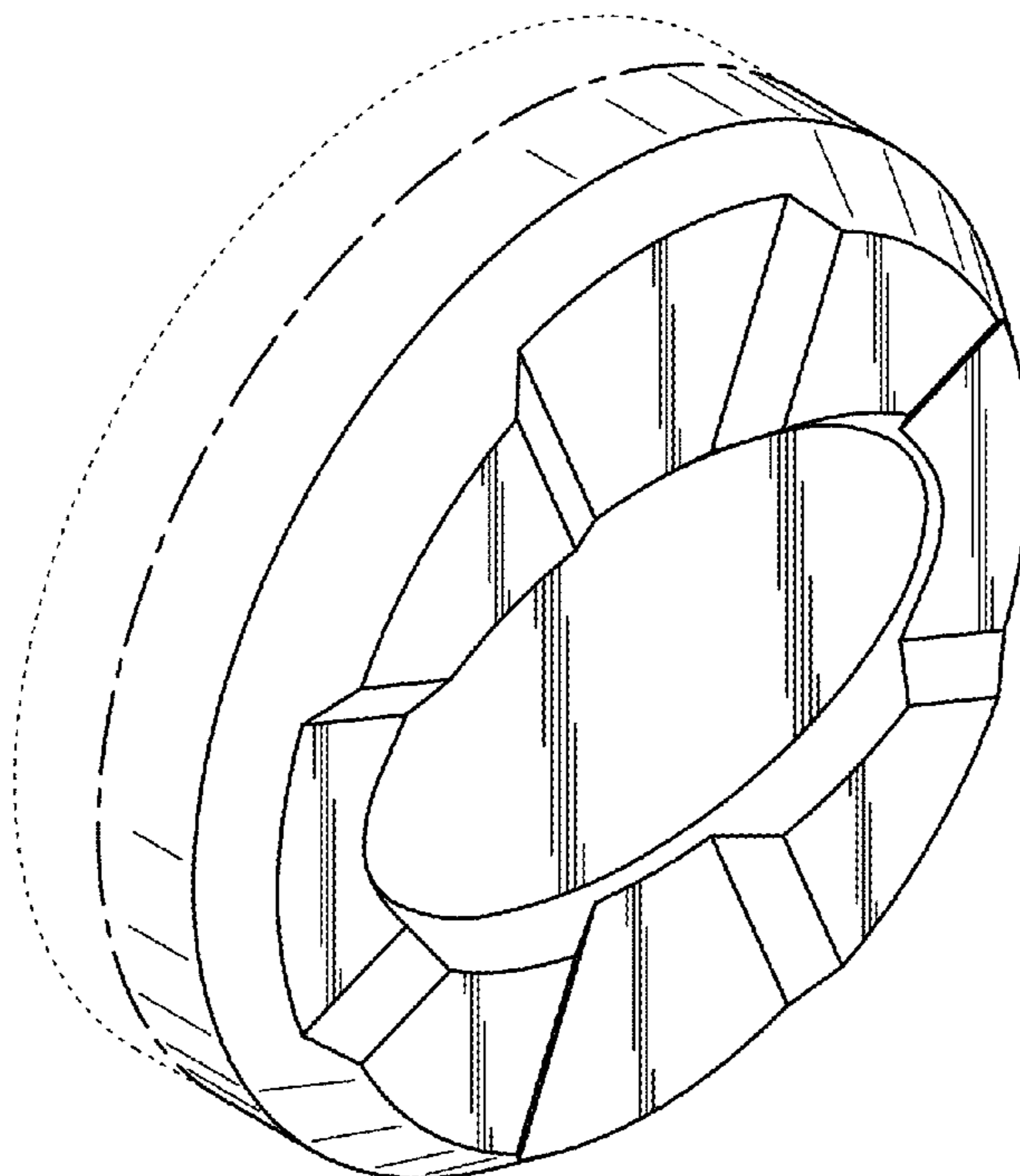
FIG. 1 is an isometric view of a lens cap.  
FIG. 2 is a front elevation view of the lens cap of FIG. 1.  
FIG. 3 is a left side view of the lens cap of FIG. 1.  
FIG. 4 is a right side view of the lens cap of FIG. 1.  
FIG. 5 is a rear elevation view of the lens cap of FIG. 1.  
FIG. 6 is a top view of the lens cap of FIG. 1; and,  
FIG. 7 is a bottom view of the lens cap of FIG. 1.  
The dot-dash lines denote the boundary of the claim and form no part of the claimed design. The broken lines depict portions of the lens cap in which the design is embodied that form no part of the claimed design.

(56) **References Cited**

U.S. PATENT DOCUMENTS

D505,147 S \* 5/2005 Koren ..... D16/136  
D649,993 S \* 12/2011 Ding ..... D16/134

**1 Claim, 2 Drawing Sheets**



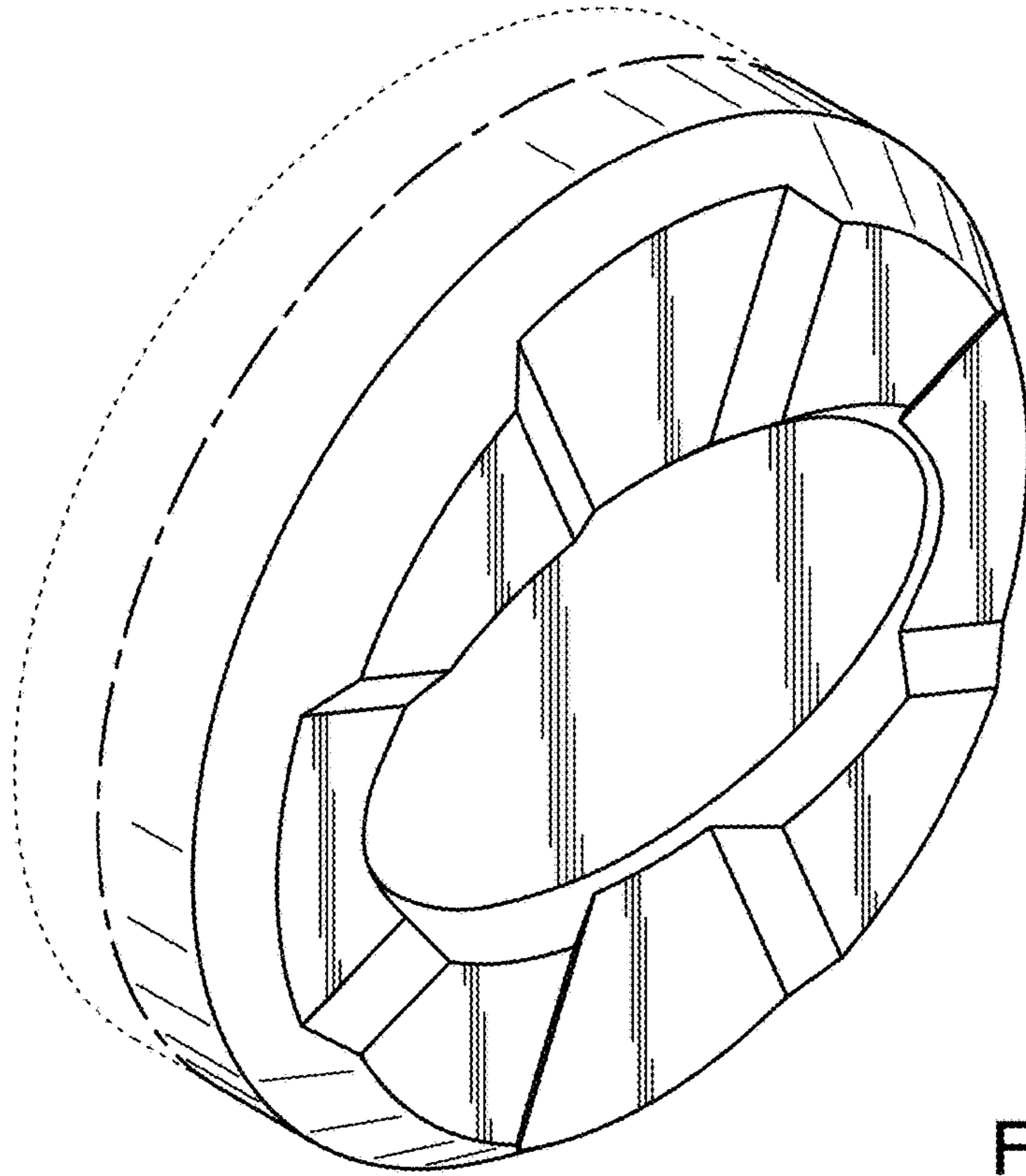


FIG. 1

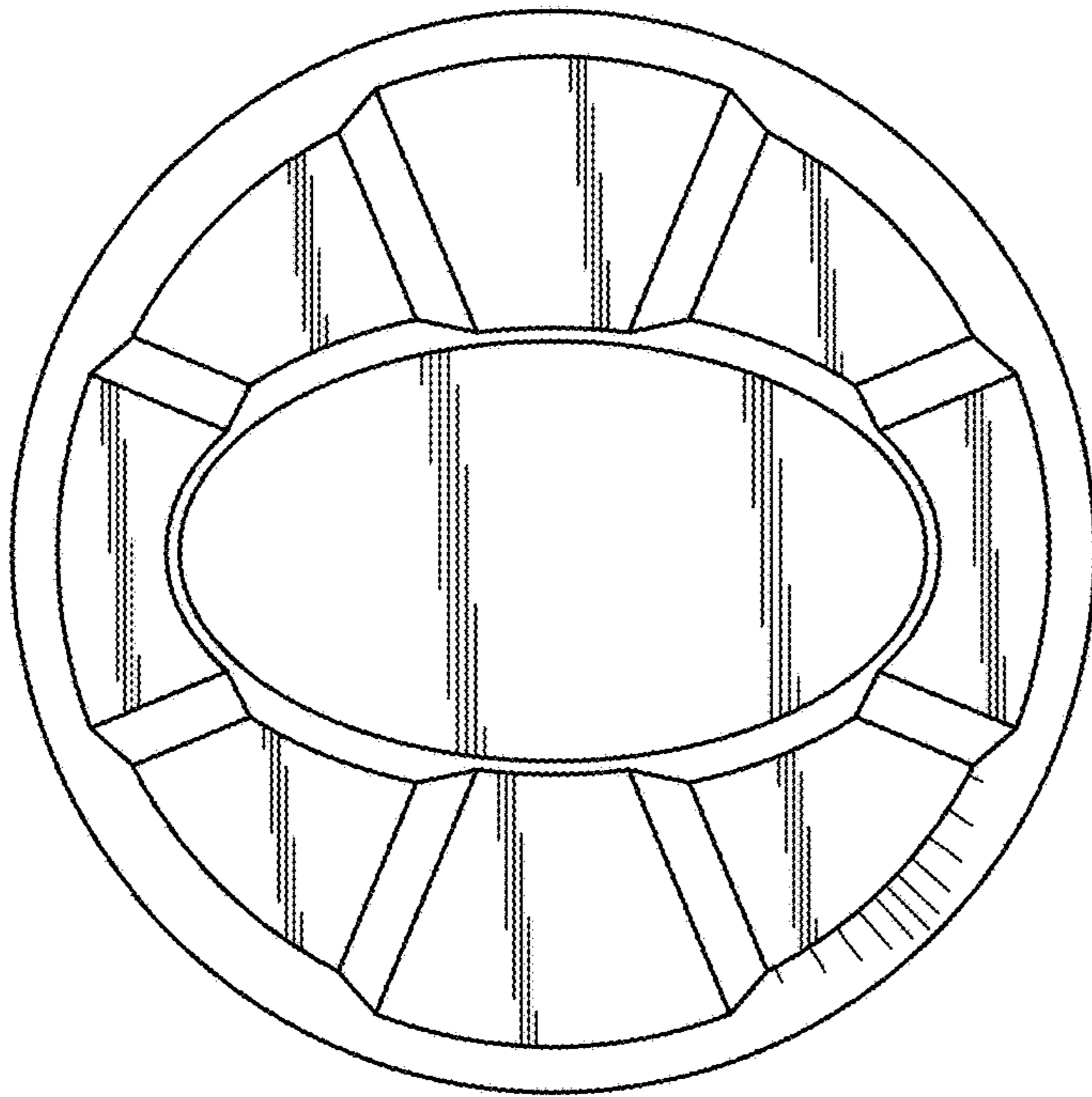


FIG. 2

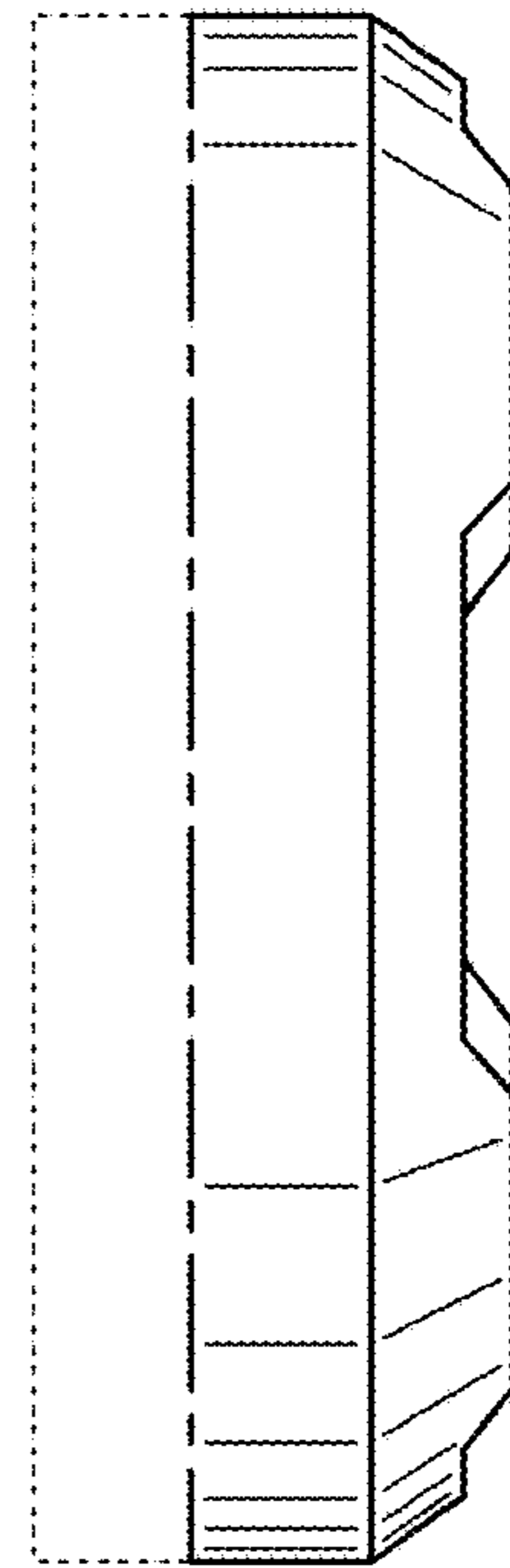


FIG. 3

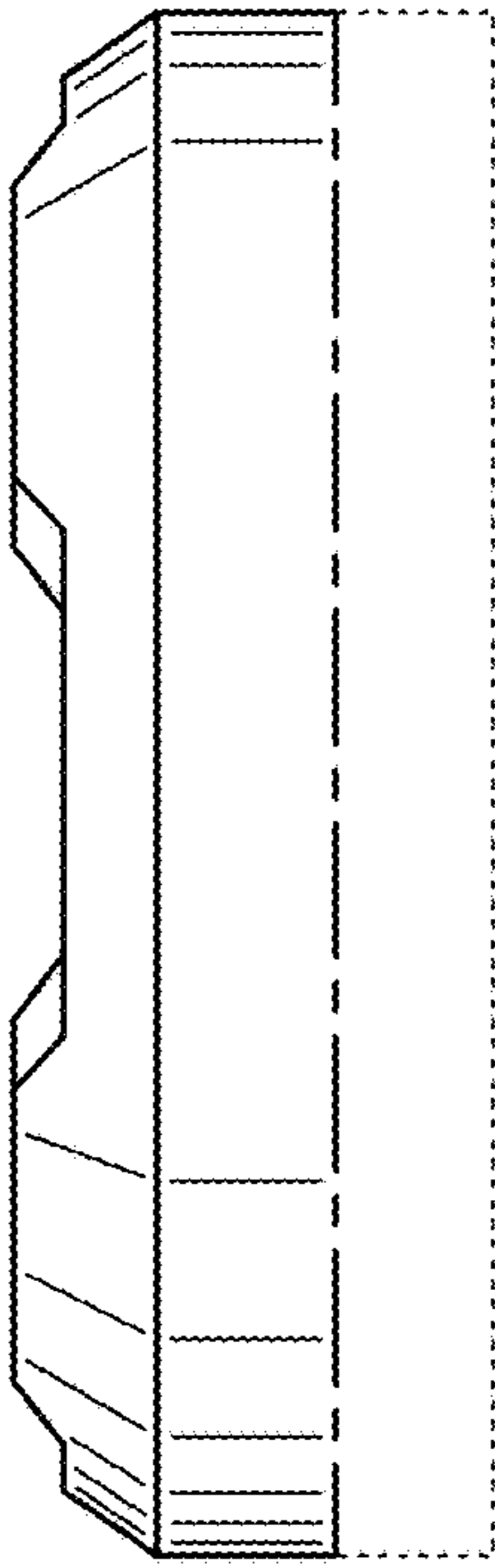


FIG. 4

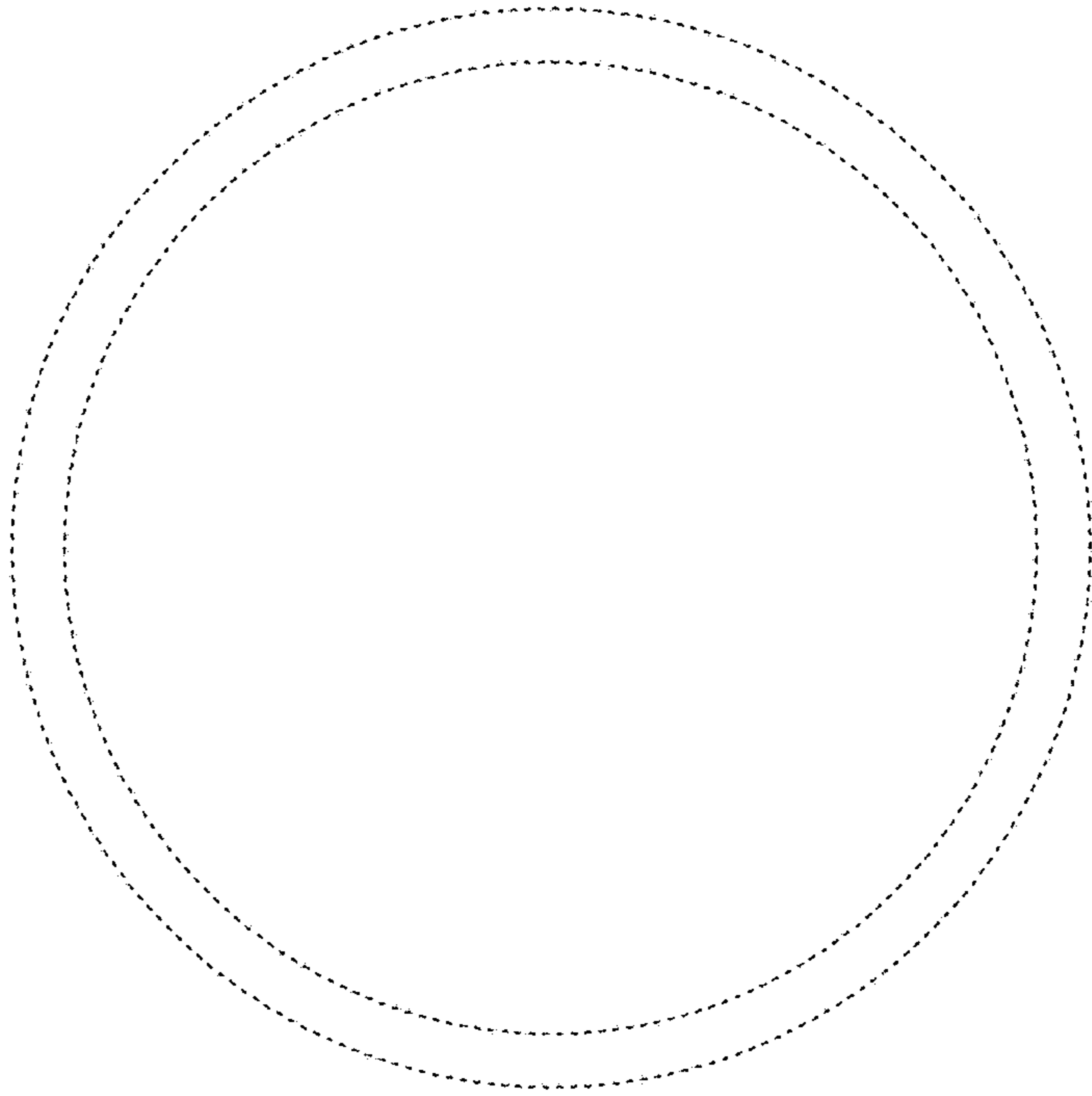


FIG. 5



FIG. 6



FIG. 7