



US00D776735S

(12) **United States Design Patent**
Zhu et al.

(10) **Patent No.:** **US D776,735 S**

(45) **Date of Patent:** **** Jan. 17, 2017**

(54) **INDUSTRIAL ROBOT**

(71) Applicant: **ABB TECHNOLOGY LTD.**, Zurich
(CH)

(72) Inventors: **Zhu Zhu**, Shanghai (CN); **Yongzhi Huang**, Shanghai (CN); **Tao Feng**, Shanghai (CN); **Xiaodong Cao**, Shanghai (CN); **Hui Yu**, Shanghai (CN); **Kaiyuan Cao**, Shanghai (CN); **Jingjing Zhou**, Shanghai (CN)

(73) Assignee: **ABB TECHNOLOGY LTD.**, Zurich
(CH)

(**) Term: **14 Years**

(21) Appl. No.: **29/496,594**

(22) Filed: **Jul. 15, 2014**

(30) **Foreign Application Priority Data**

Mar. 28, 2014 (CN) 2014 3 0069043

(51) **LOC (10) Cl.** **15-99**

(52) **U.S. Cl.**
USPC **D15/199**

(58) **Field of Classification Search**
USPC D15/199; D21/578
See application file for complete search history.

(56) **References Cited**

U.S. PATENT DOCUMENTS

D274,182 S * 6/1984 Kato D15/122
D300,935 S * 5/1989 Maddock D15/122

5,193,658 A * 3/1993 Tellden B25J 9/101
192/138
D344,280 S * 2/1994 Koyama D15/199
D423,534 S * 4/2000 Raab D15/199
D440,241 S * 4/2001 Kawahara D15/199
D443,287 S * 6/2001 Kawahara D15/199

(Continued)

Primary Examiner — Patricia Palasik

(74) *Attorney, Agent, or Firm* — Robert A. Jefferis;
Driggs, Hogg, Daugherty & Del Zoppo Co., LPA

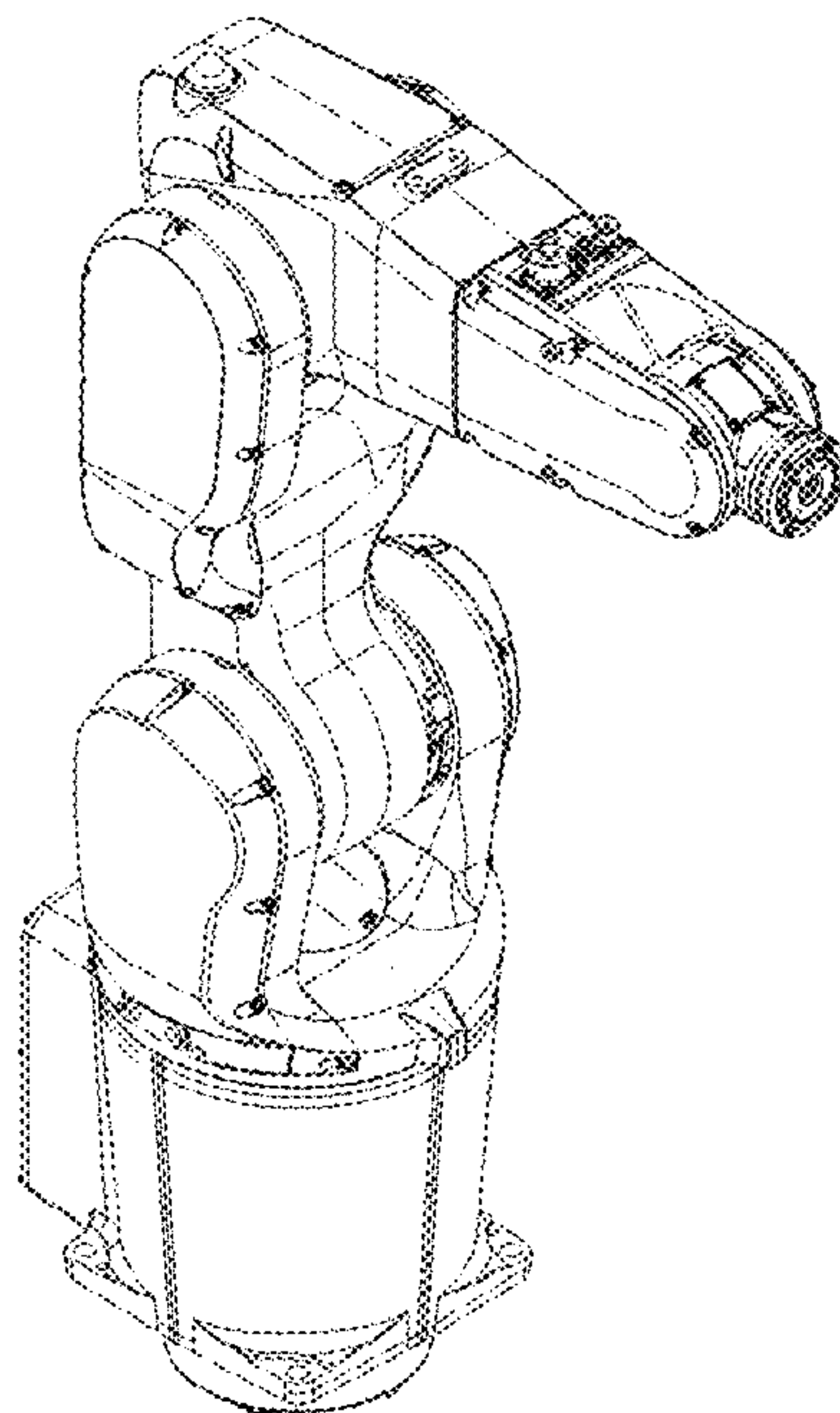
(57) **CLAIM**

The ornamental design of an industrial robot, as shown and described.

DESCRIPTION

FIG. 1 is a first embodiment, showing a front view of an industrial robot of the new design;
FIG. 2 is a back view of the first embodiment;
FIG. 3 is a left view of the first embodiment;
FIG. 4 is a right view of the first embodiment;
FIG. 5 is a top view of the first embodiment;
FIG. 6 is a bottom view of the first embodiment;
FIG. 7 is a perspective view of the first embodiment;
FIG. 8 is a second embodiment, showing a front view of an industrial robot of the new design;
FIG. 9 is a back view of the second embodiment;
FIG. 10 is a left view of the second embodiment;
FIG. 11 is a right view of the second embodiment;
FIG. 12 is a top view of the second embodiment;
FIG. 13 is a bottom view of the second embodiment; and,
FIG. 14 is a perspective view of the second embodiment.
Any broken line(s) shown are for illustrative purposes only and form no part of the claimed design.

1 Claim, 12 Drawing Sheets



(56)

References Cited

U.S. PATENT DOCUMENTS

D444,488	S *	7/2001	Selic	D15/199
D461,484	S *	8/2002	Kraft	D15/199
D613,781	S *	4/2010	Liu	D15/199
D616,477	S *	5/2010	Long	D15/199
D624,104	S *	9/2010	Miyake	15/99
D636,803	S *	4/2011	Nakagiri	D15/199
D638,043	S *	5/2011	Tsuchiya	D15/199
D638,044	S *	5/2011	Ikoma	D15/199
D638,455	S *	5/2011	Long	D15/199
D650,820	S *	12/2011	Long	D15/199
D670,319	S *	11/2012	Liu	D15/199
8,386,077	B2 *	2/2013	Birkenbach	G05B 19/402 700/245
D677,294	S *	3/2013	Long	D15/199
D678,378	S *	3/2013	Selic	D15/199
D681,708	S *	5/2013	Miyake	D15/199
D690,753	S *	10/2013	Liu	D15/199
D697,104	S *	1/2014	Dye	D15/199
D707,277	S *	6/2014	Olsson	D15/199
D713,436	S *	9/2014	Liu	D15/199
8,914,152	B2 *	12/2014	Scheurer	B25J 9/1666 700/250
9,095,982	B2 *	8/2015	Oka	B25J 17/0283
9,102,065	B2 *	8/2015	Krumbacher	B25J 17/02
9,114,527	B2 *	8/2015	Takahashi	B25J 17/02
9,120,229	B2 *	9/2015	Roth	B25J 9/0018

* cited by examiner

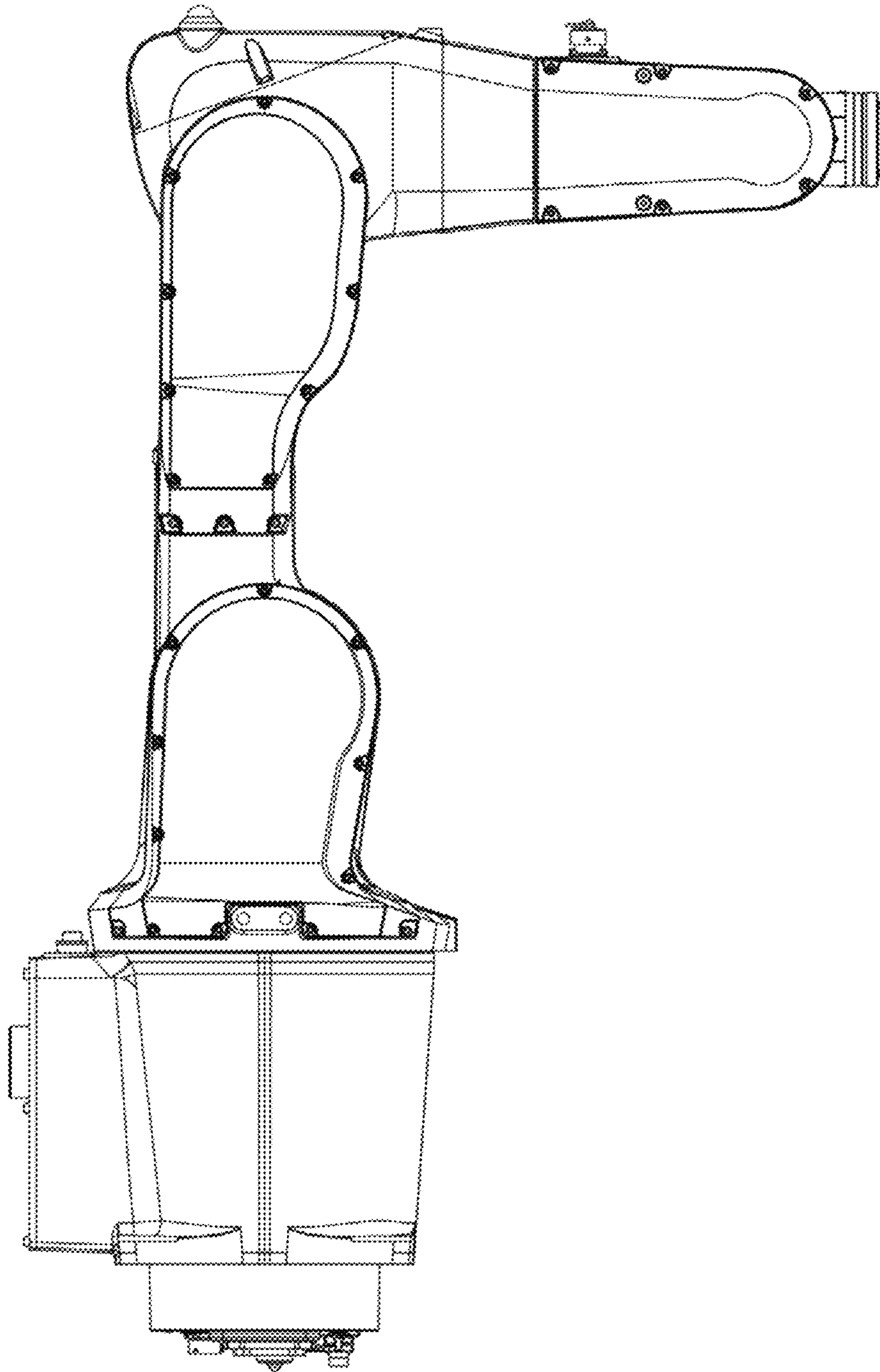


FIGURE 1

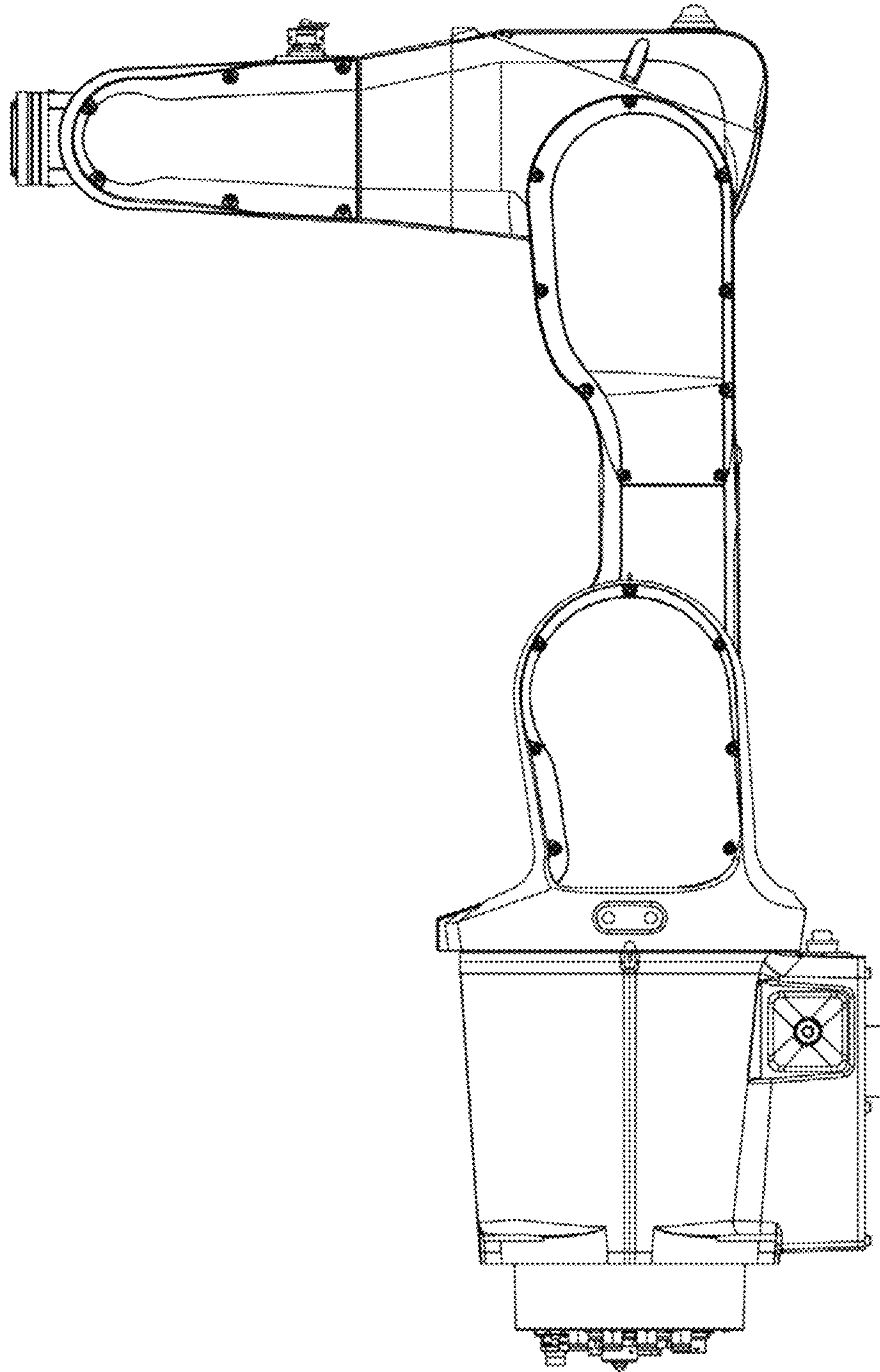


FIGURE 2

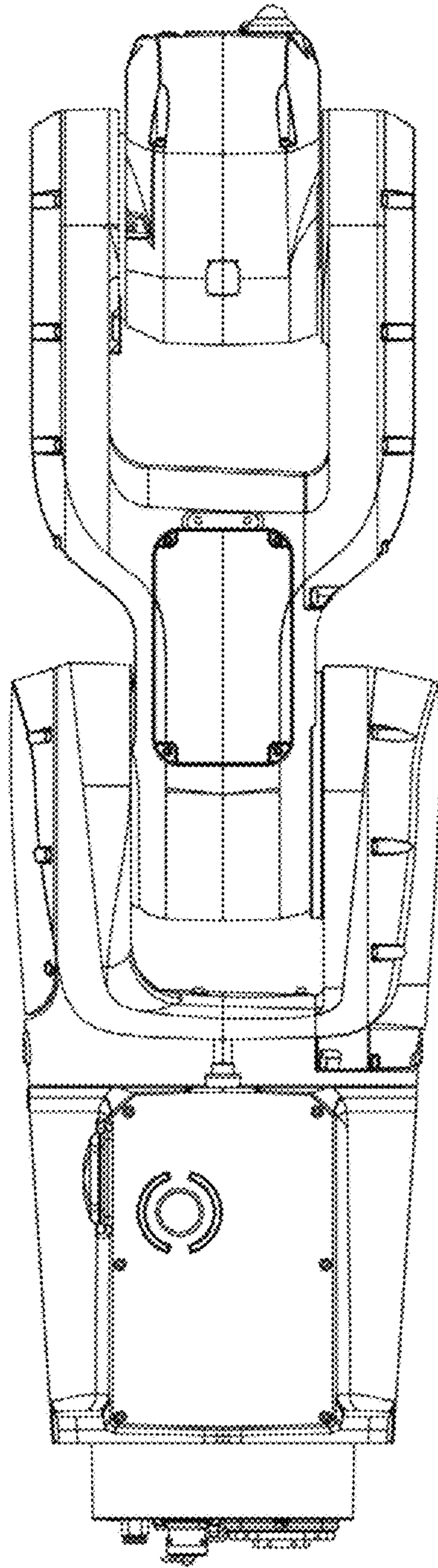


FIGURE 3

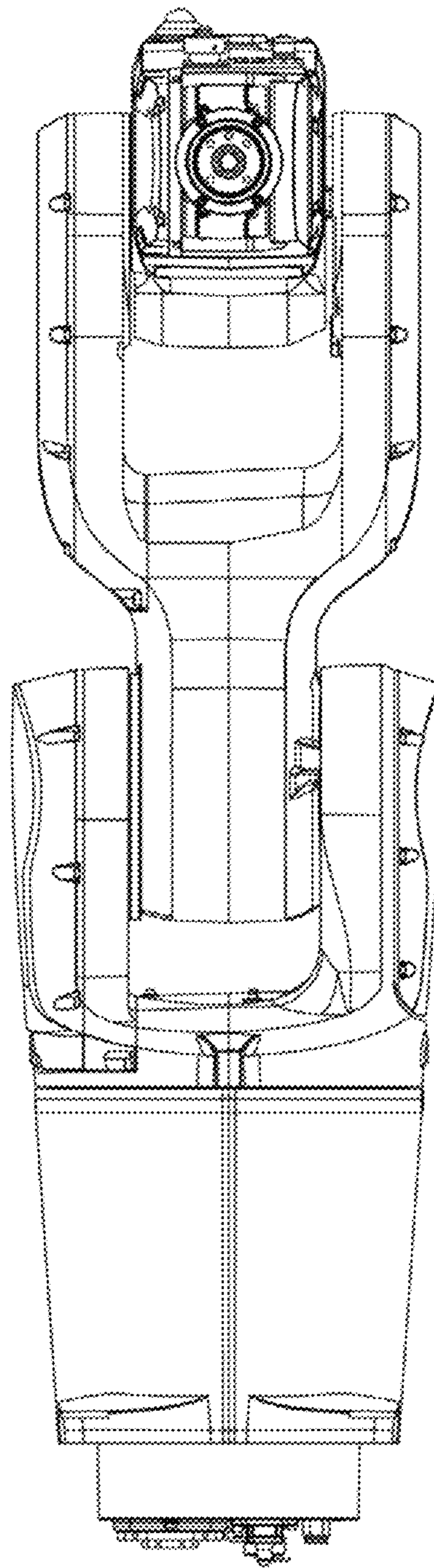


FIGURE 4

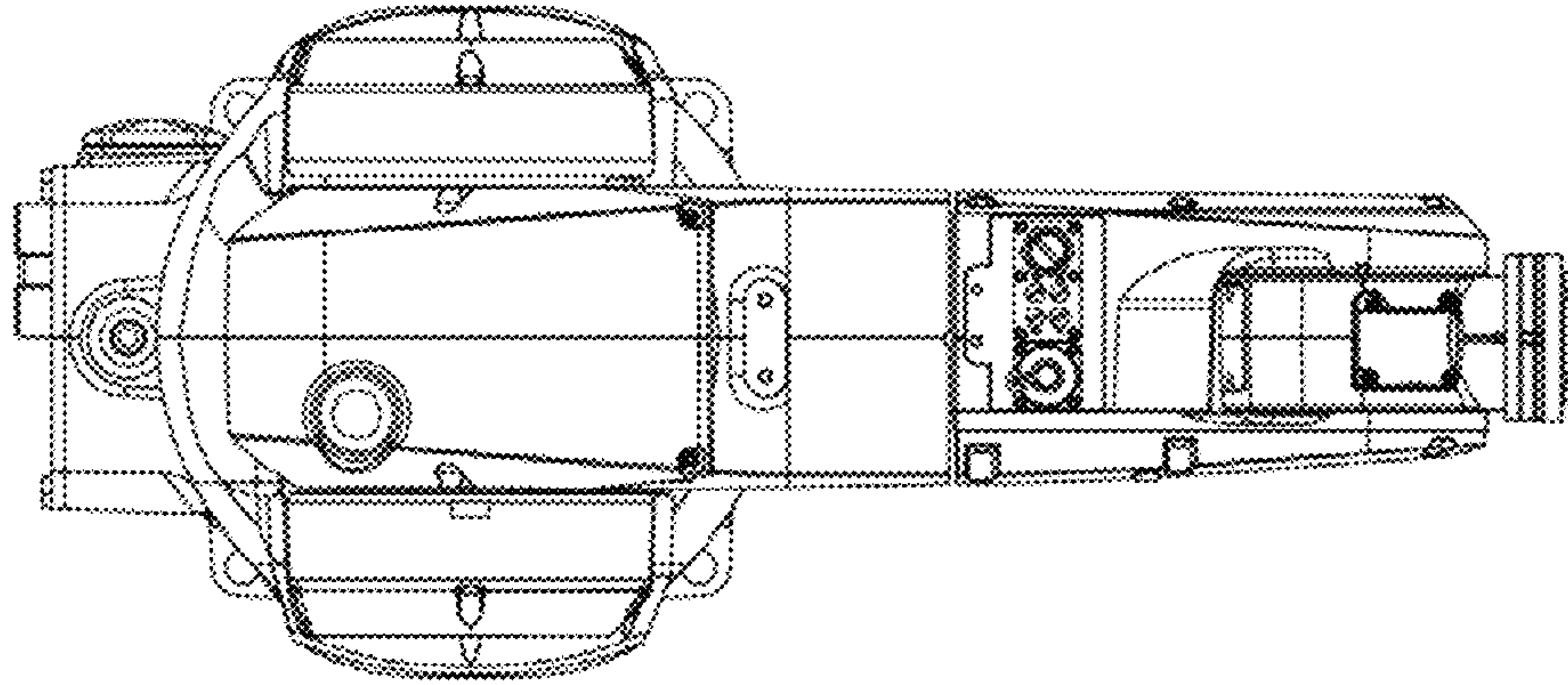


FIGURE 5

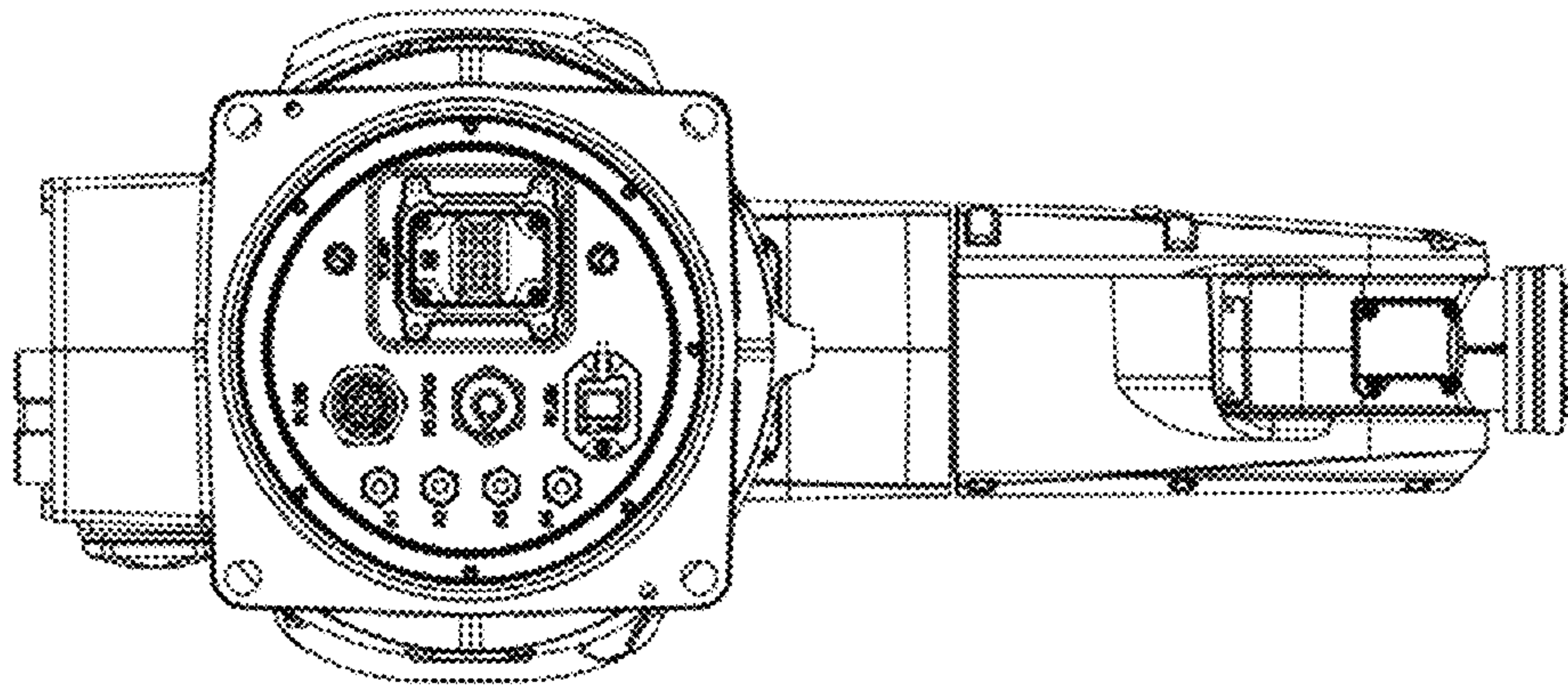


FIGURE 6

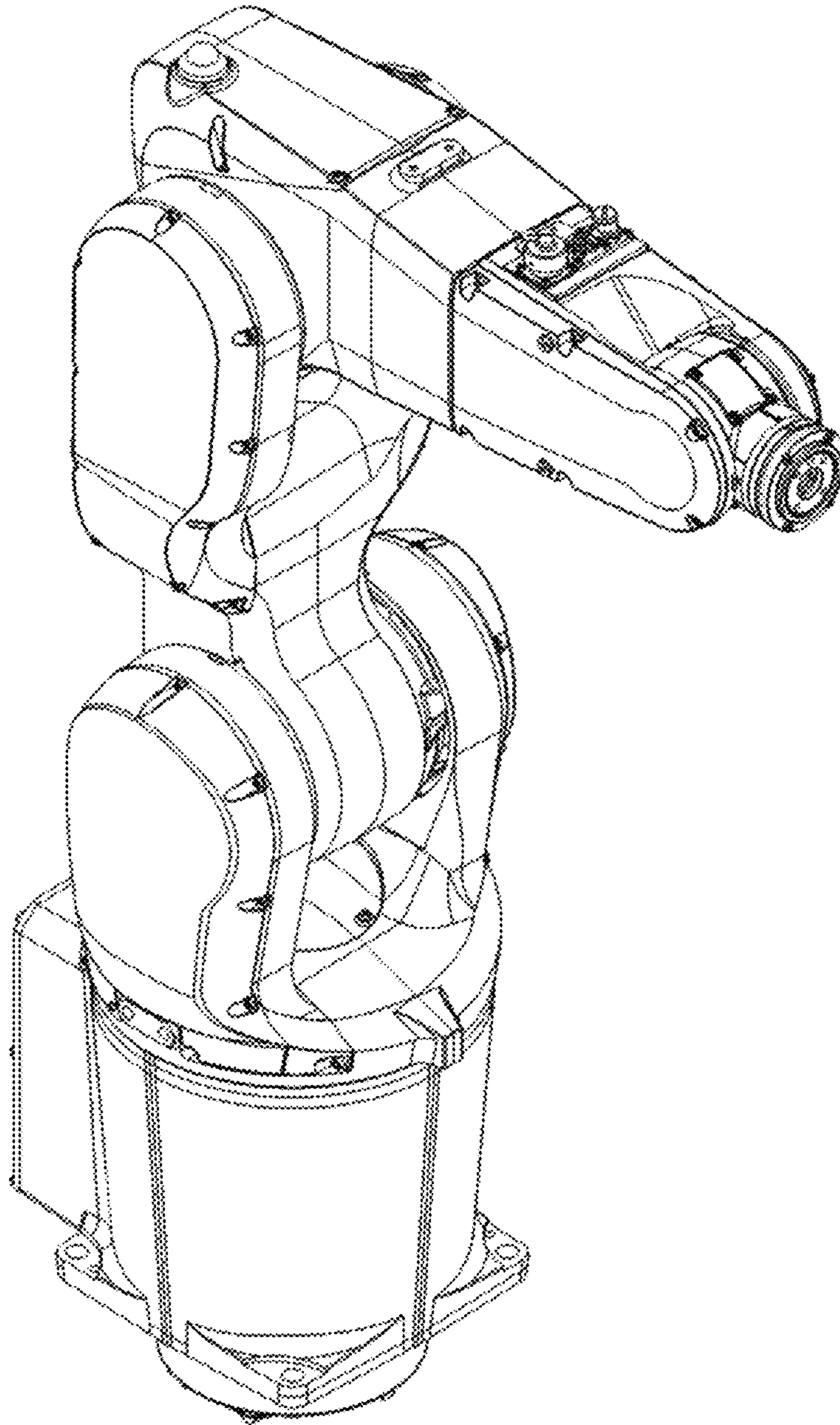


FIGURE 7

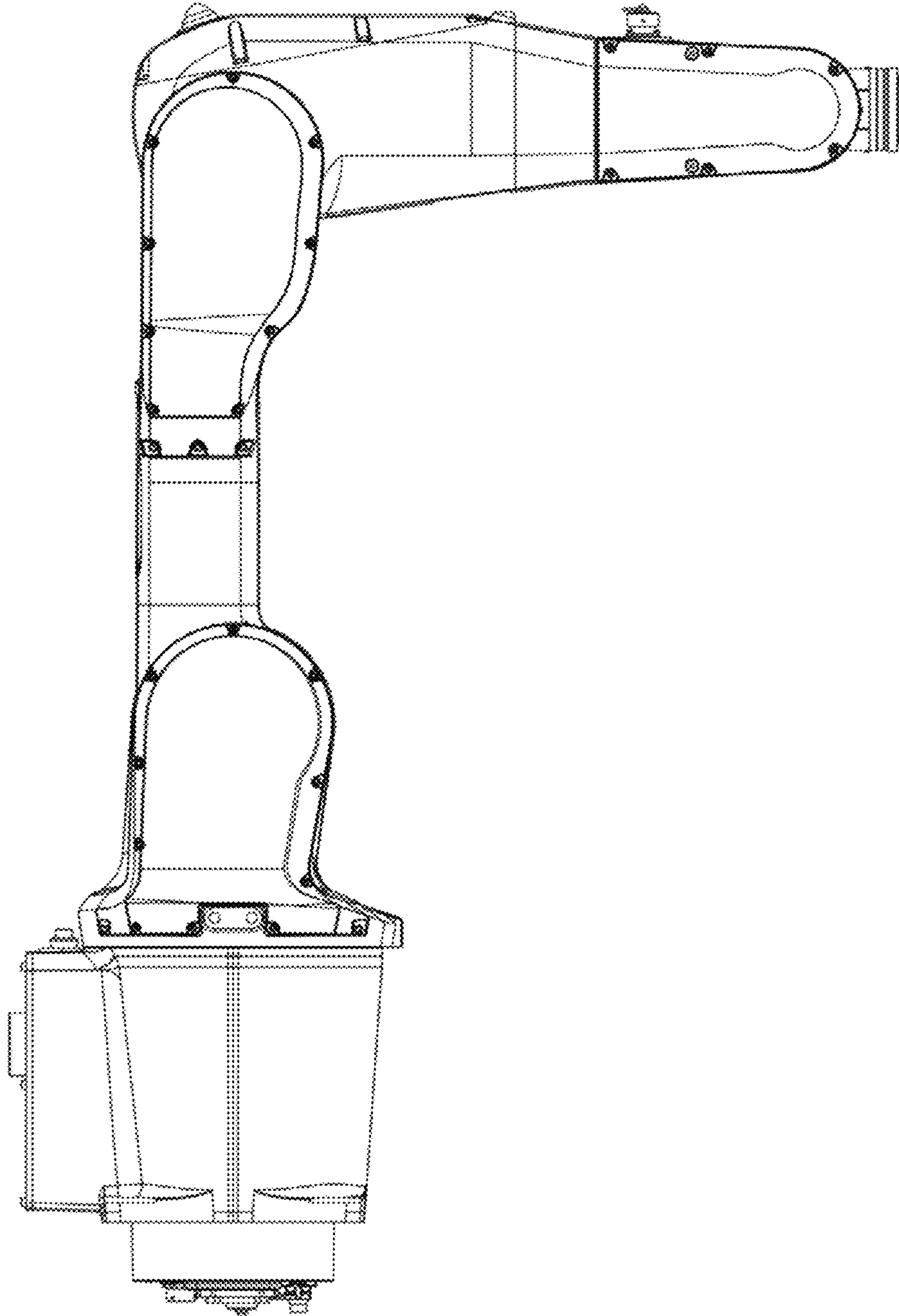


FIGURE 8

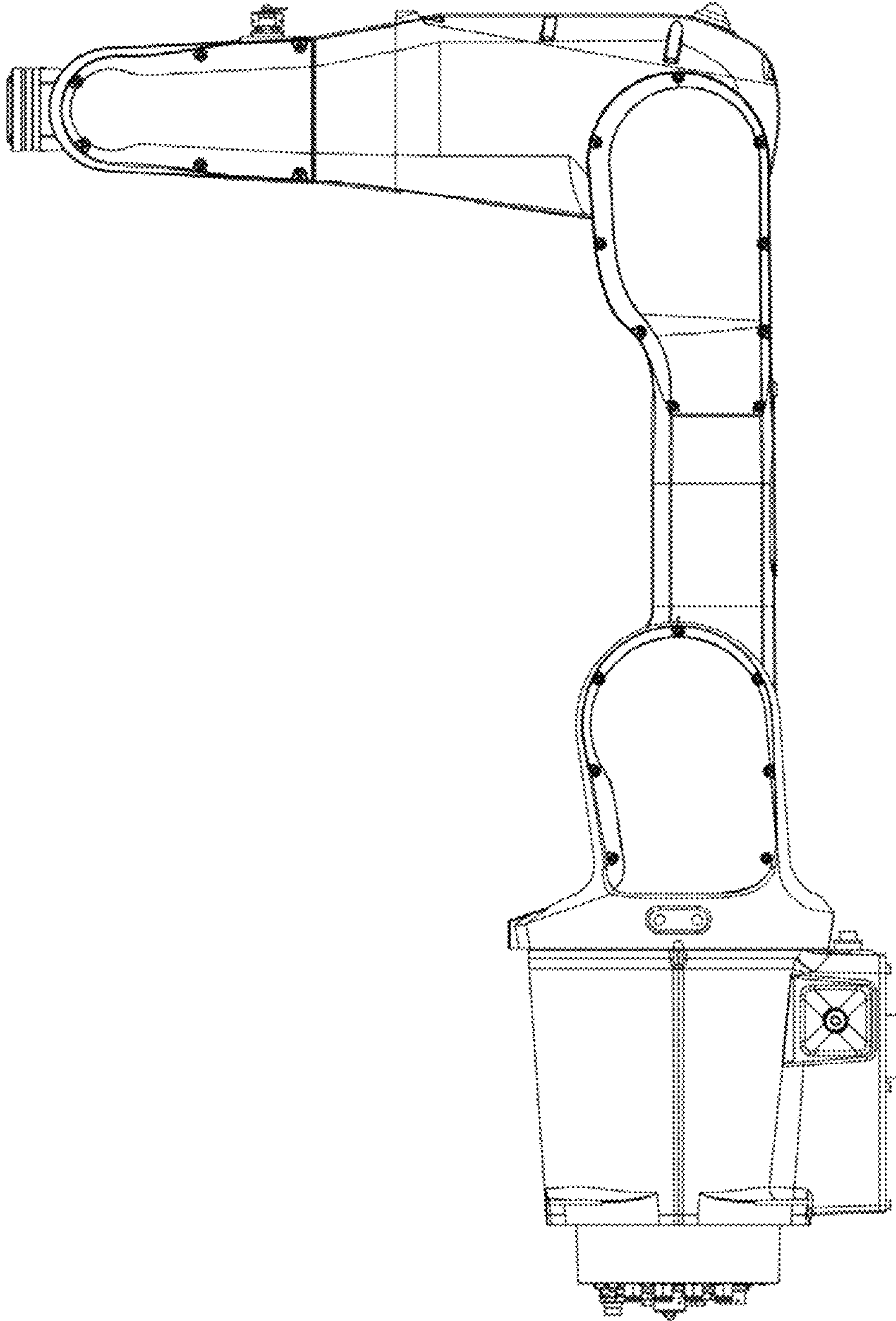


FIGURE 9

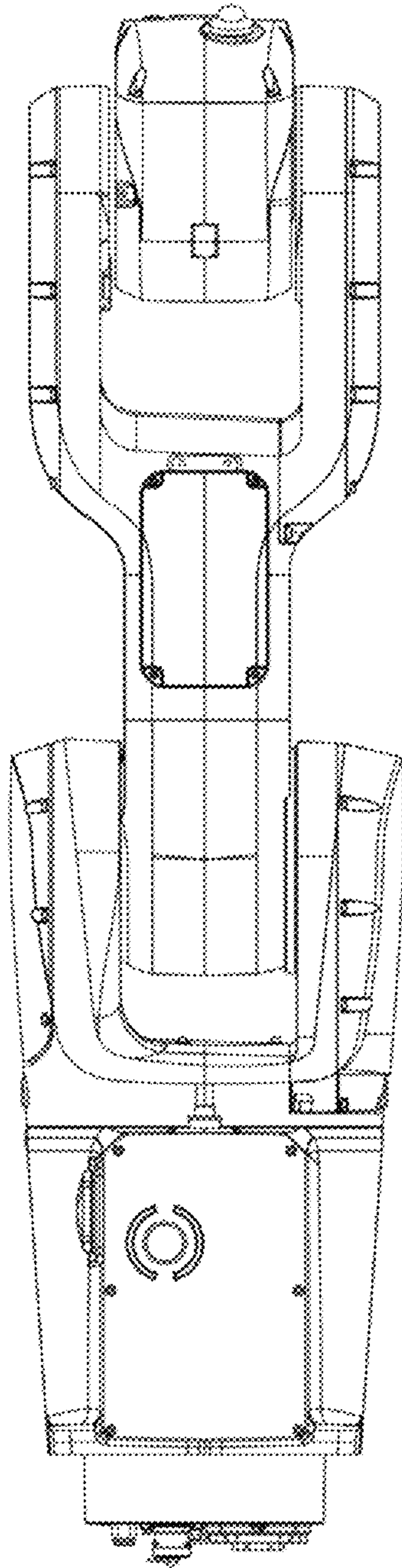


FIGURE 10

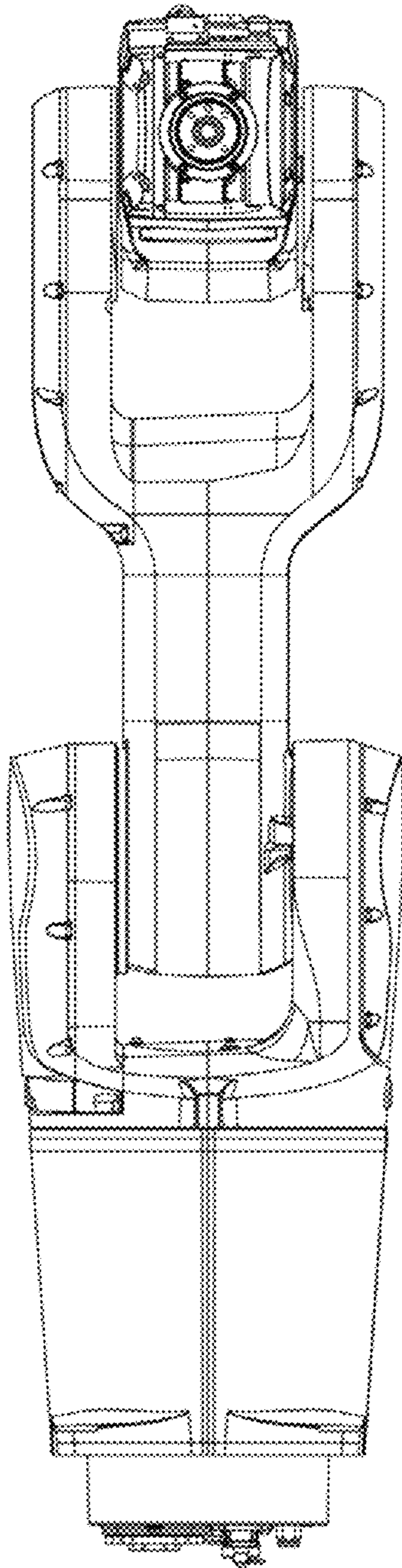


FIGURE 11

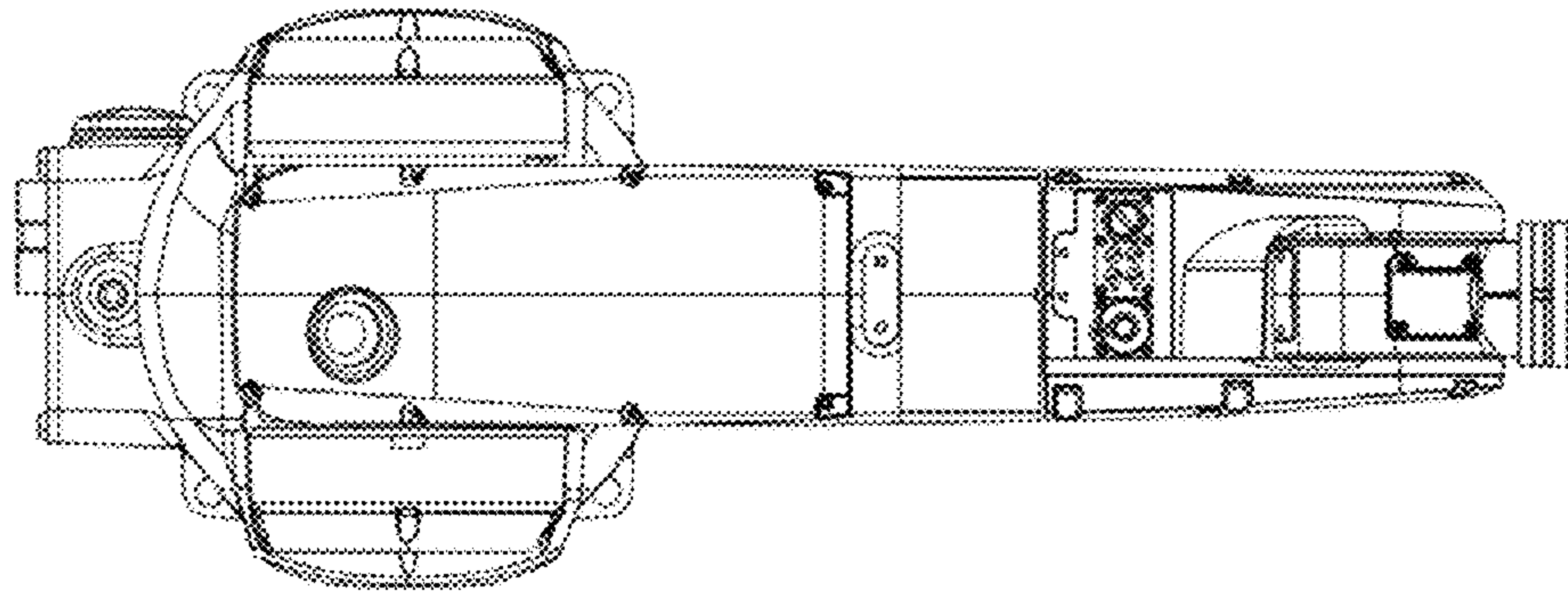


FIGURE 12

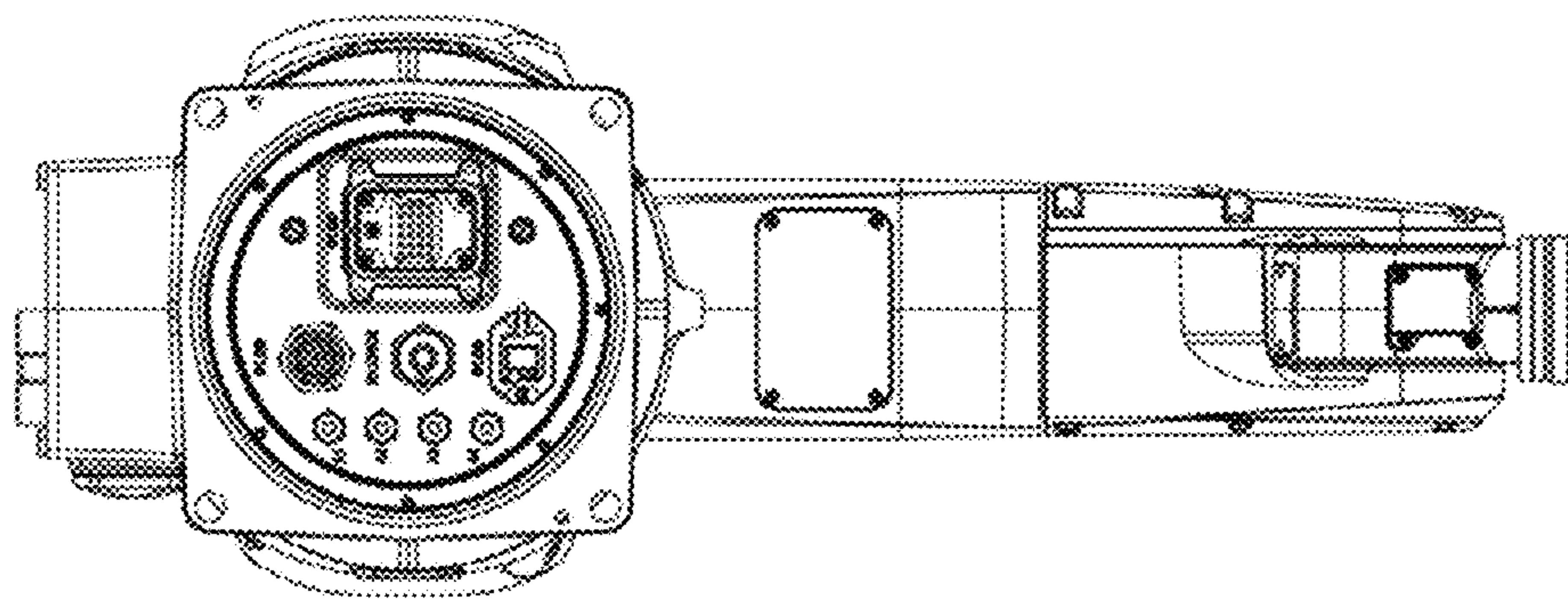


FIGURE 13

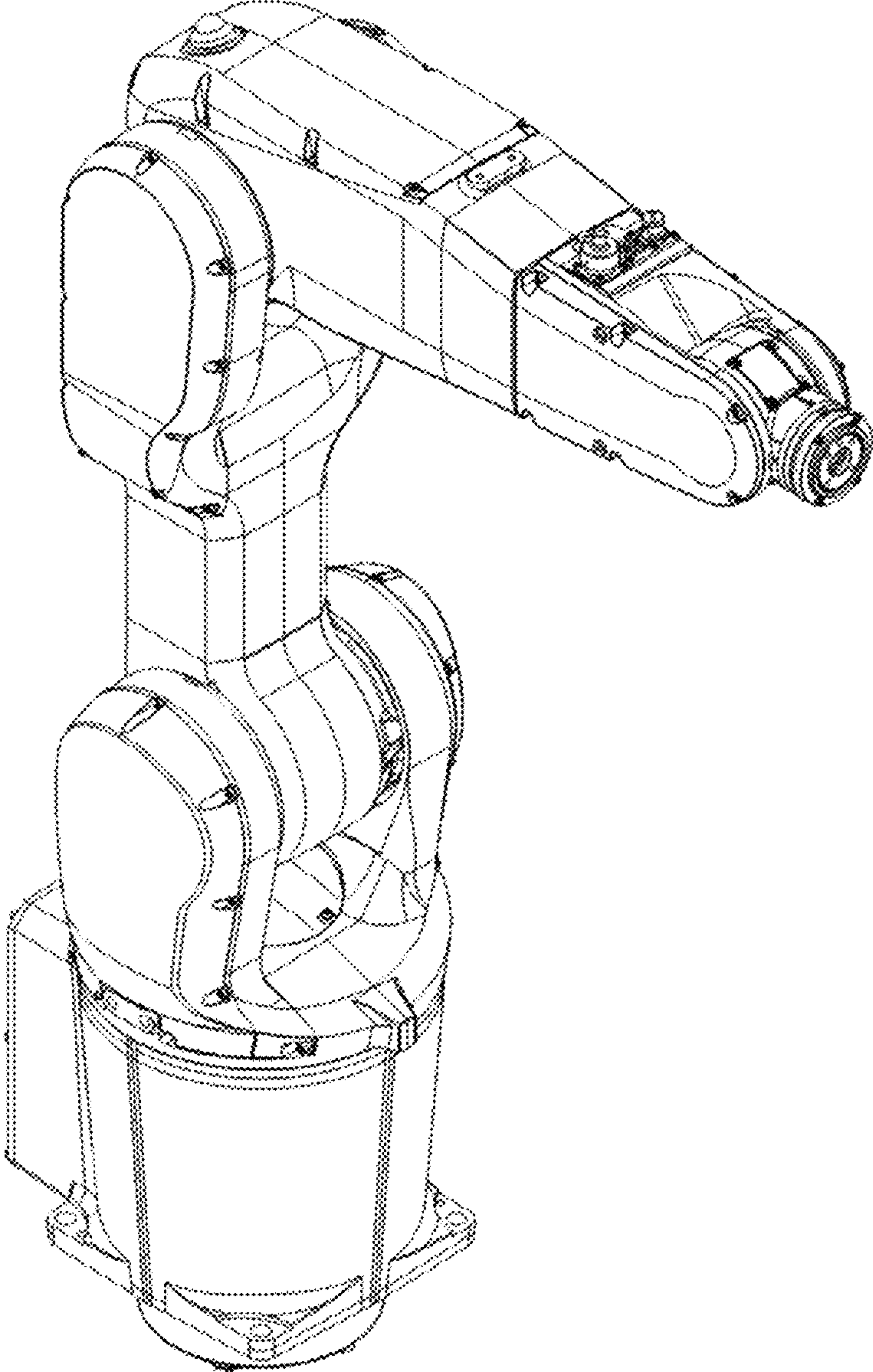


FIGURE 14