



US00D776734S

(12) **United States Design Patent**  
**Tseng**

(10) **Patent No.:** **US D776,734 S**

(45) **Date of Patent:** **\*\* Jan. 17, 2017**

(54) **OIL DRAINAGE EXHAUSTER**

(71) Applicant: **Chuan Jiing Enterprise Co., Ltd.**,  
Taichung (TW)

(72) Inventor: **Tien-Tsai Tseng**, Taichung (TW)

(73) Assignee: **Chuan Jiing Enterprise Co., Ltd.**,  
Taichung (TW)

(\*\*) Term: **15 Years**

(21) Appl. No.: **29/540,504**

(22) Filed: **Sep. 25, 2015**

(51) **LOC (10) Cl.** ..... **15-09**

(52) **U.S. Cl.**  
USPC ..... **D15/152**

(58) **Field of Classification Search**  
USPC ..... D7/700; D15/150, 151, 152; D23/200;  
D24/121-123; 141/95, 98, 297-300,  
141/331-345

See application file for complete search history.

(56) **References Cited**

**U.S. PATENT DOCUMENTS**

D295,886 S \* 5/1988 Dolton ..... D23/202  
D391,626 S \* 3/1998 Spriegel ..... D23/205

D431,279 S \* 9/2000 Spriegel ..... D23/202  
D490,140 S \* 5/2004 Byron ..... D23/225  
D529,577 S \* 10/2006 McGiveron ..... D23/225  
D700,948 S \* 3/2014 McGiveron ..... D23/202

\* cited by examiner

*Primary Examiner* — Patricia Palasik

(74) *Attorney, Agent, or Firm* — Alan D. Kamrath;  
Kamrath IP Lawfirm, P.A.

(57) **CLAIM**

The ornamental design for an oil drainage exhauster, as shown and described.

**DESCRIPTION**

FIG. 1 is a perspective view of an oil drainage exhauster, showing my new design;

FIG. 2 is a front view of the oil drainage exhauster shown in FIG. 1;

FIG. 3 is a rear view of the oil drainage exhauster shown in FIG. 1;

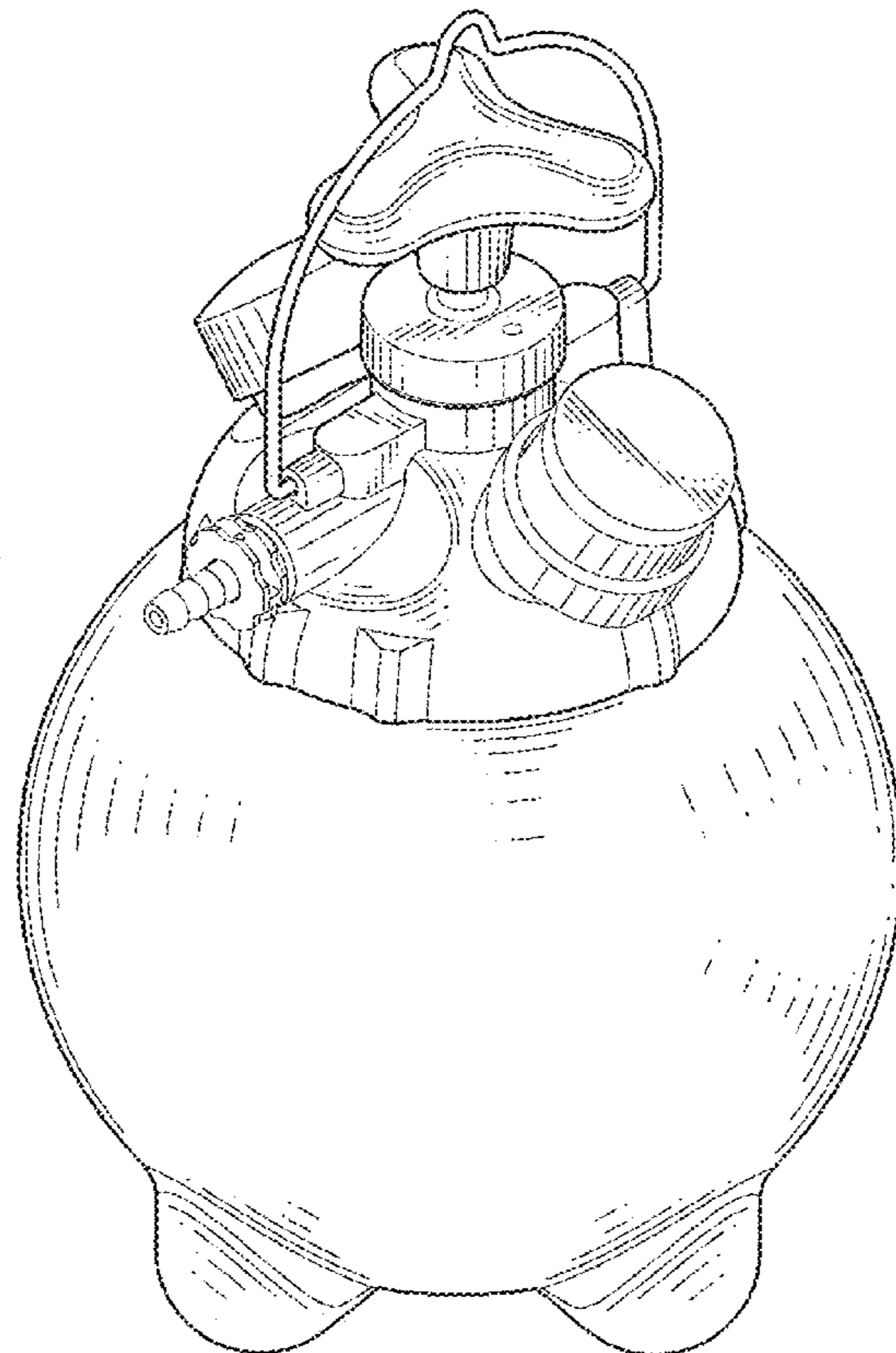
FIG. 4 is a left side view of the oil drainage exhauster shown in FIG. 1

FIG. 5 is a right side view of the oil drainage exhauster shown in FIG. 1;

FIG. 6 is a top view of the oil drainage exhauster shown in FIG. 1; and,

FIG. 7 is a bottom view of the oil drainage exhauster shown in FIG. 1.

**1 Claim, 7 Drawing Sheets**



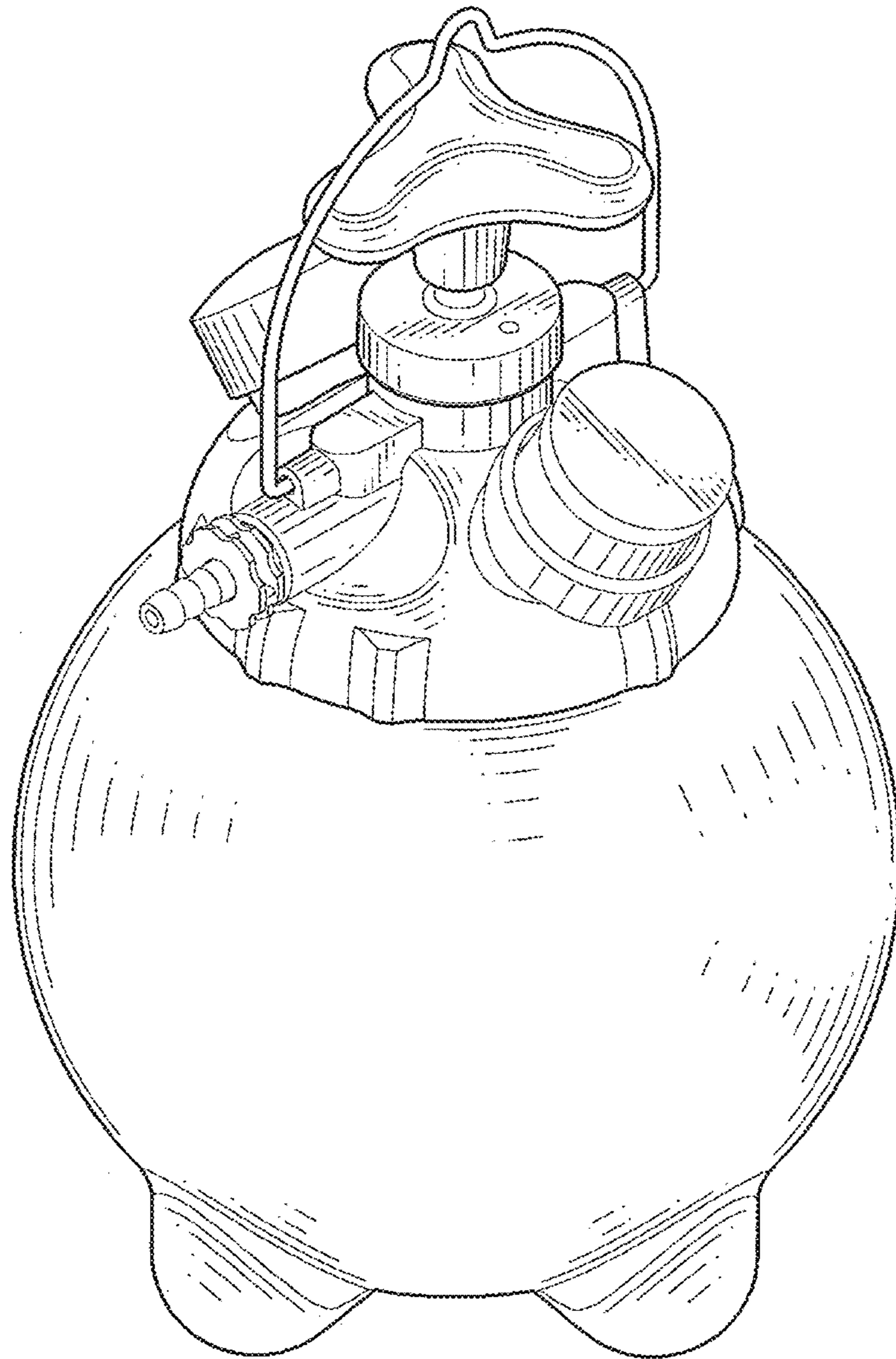


FIG. 1

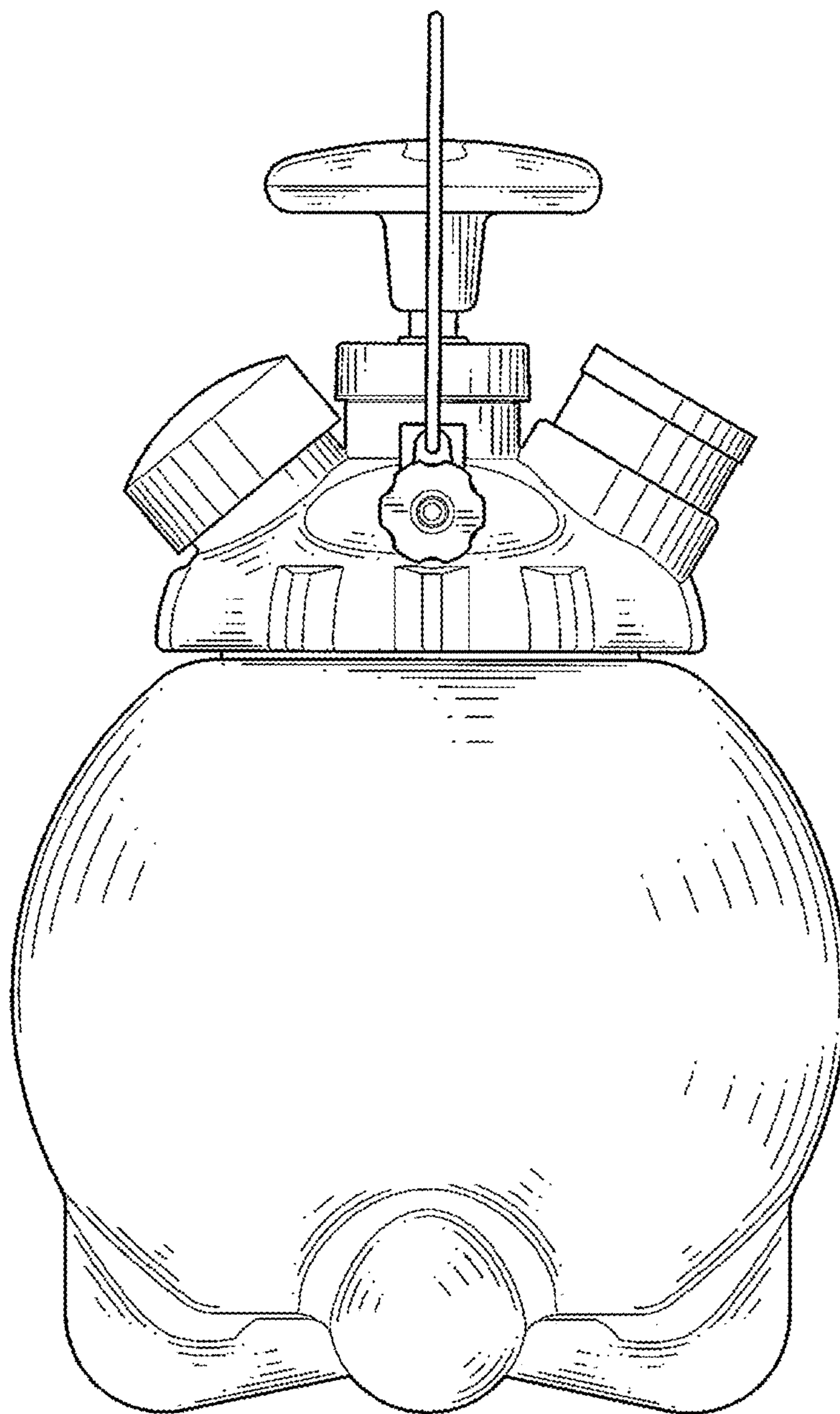


FIG. 2

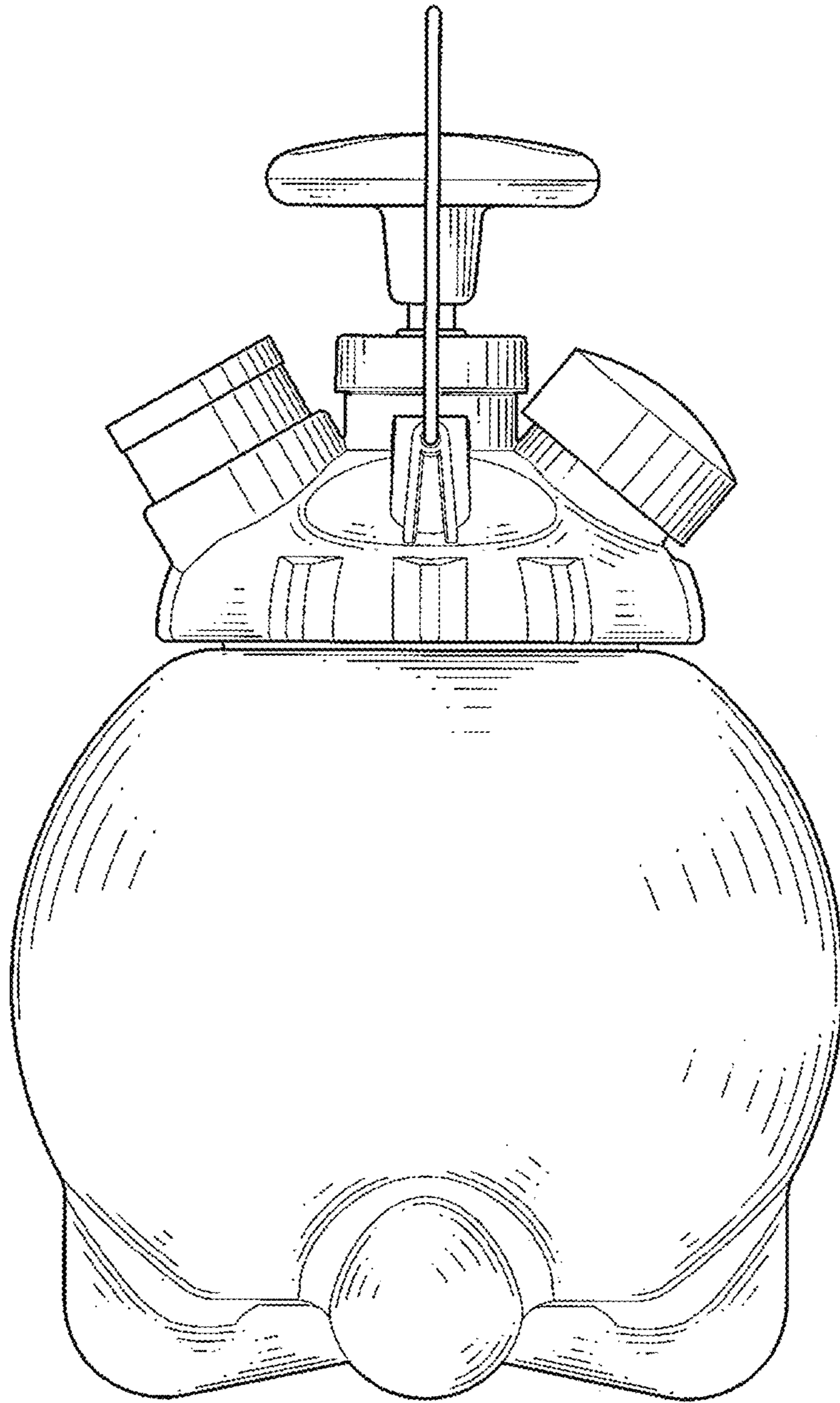


FIG. 3

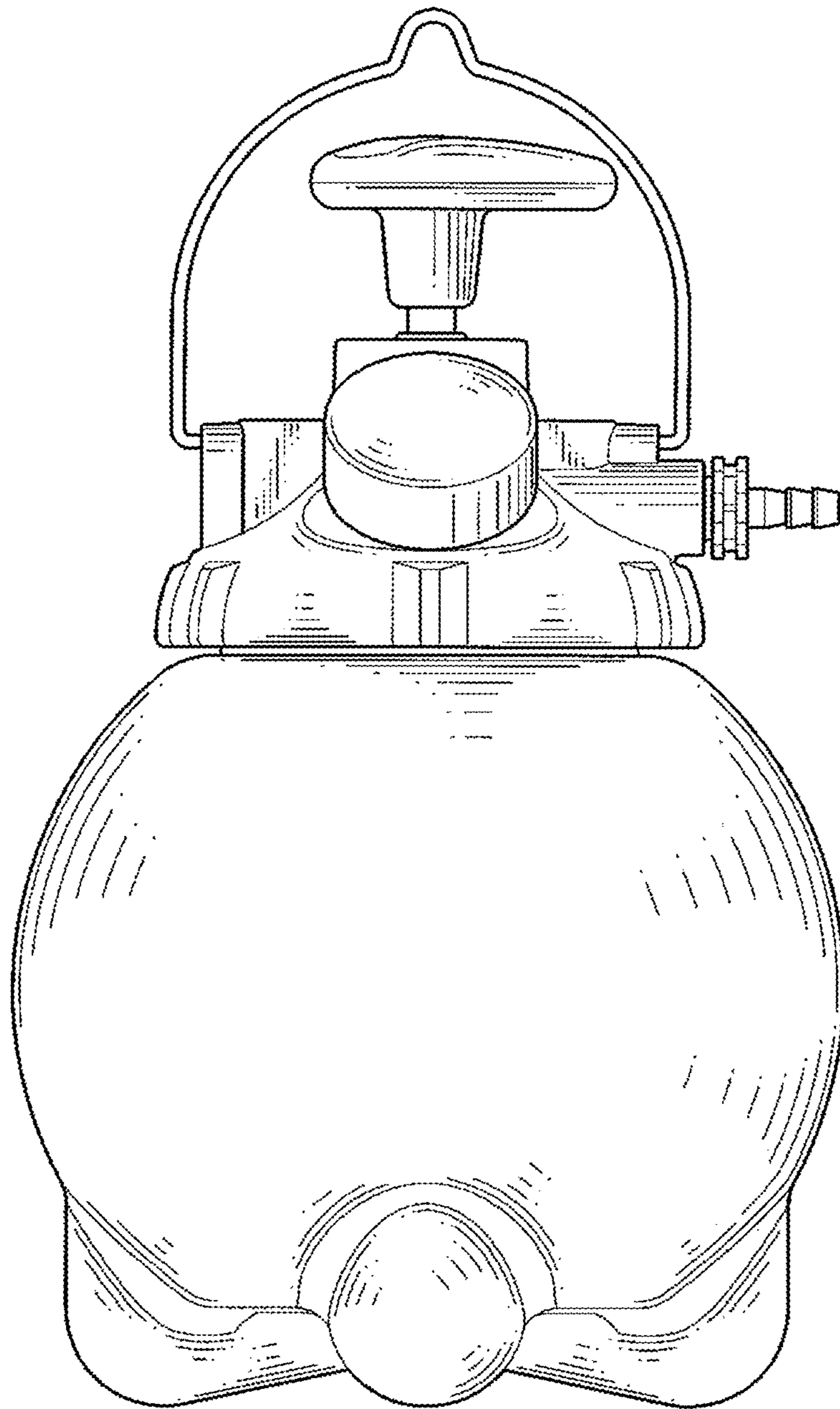


FIG. 4

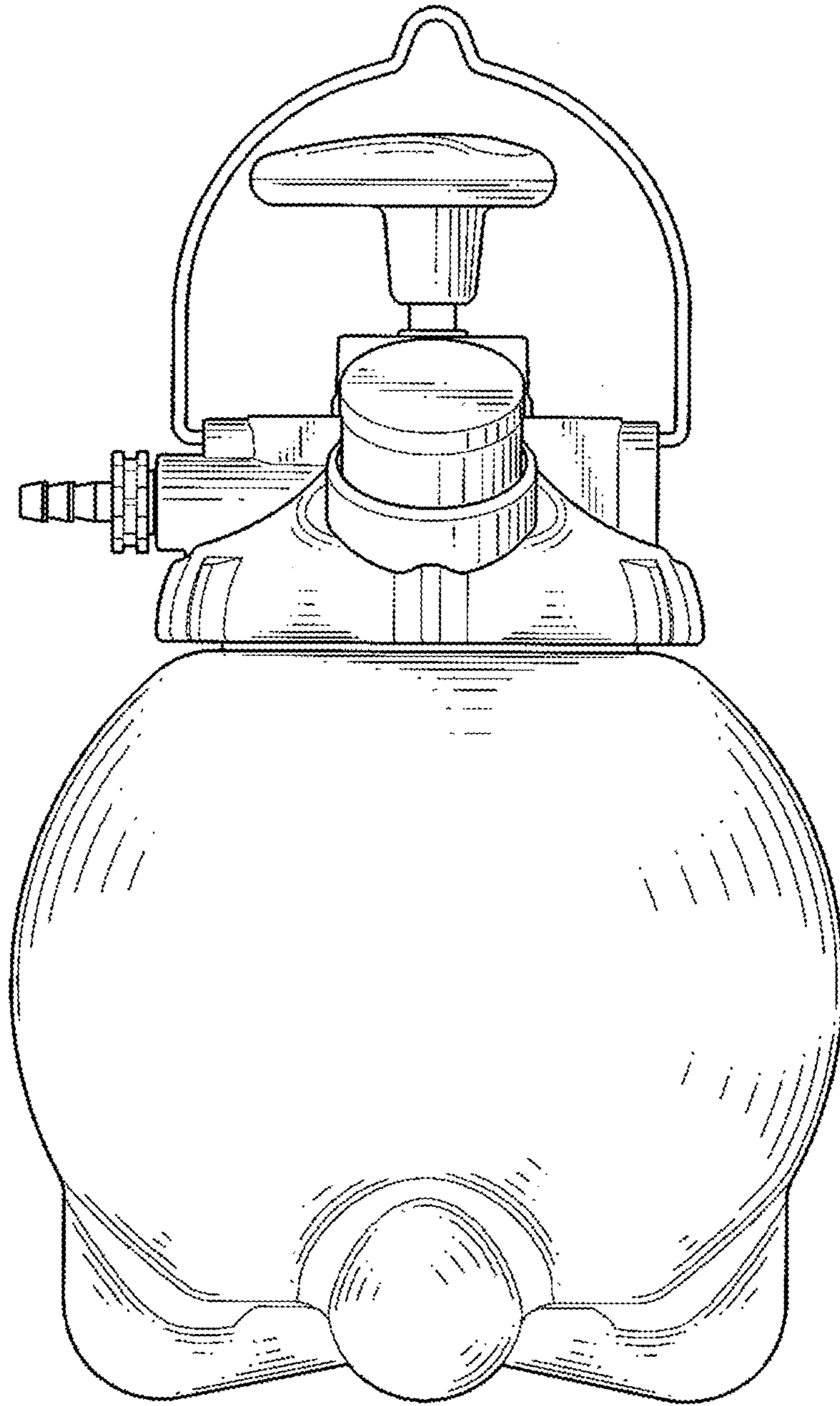


FIG. 5

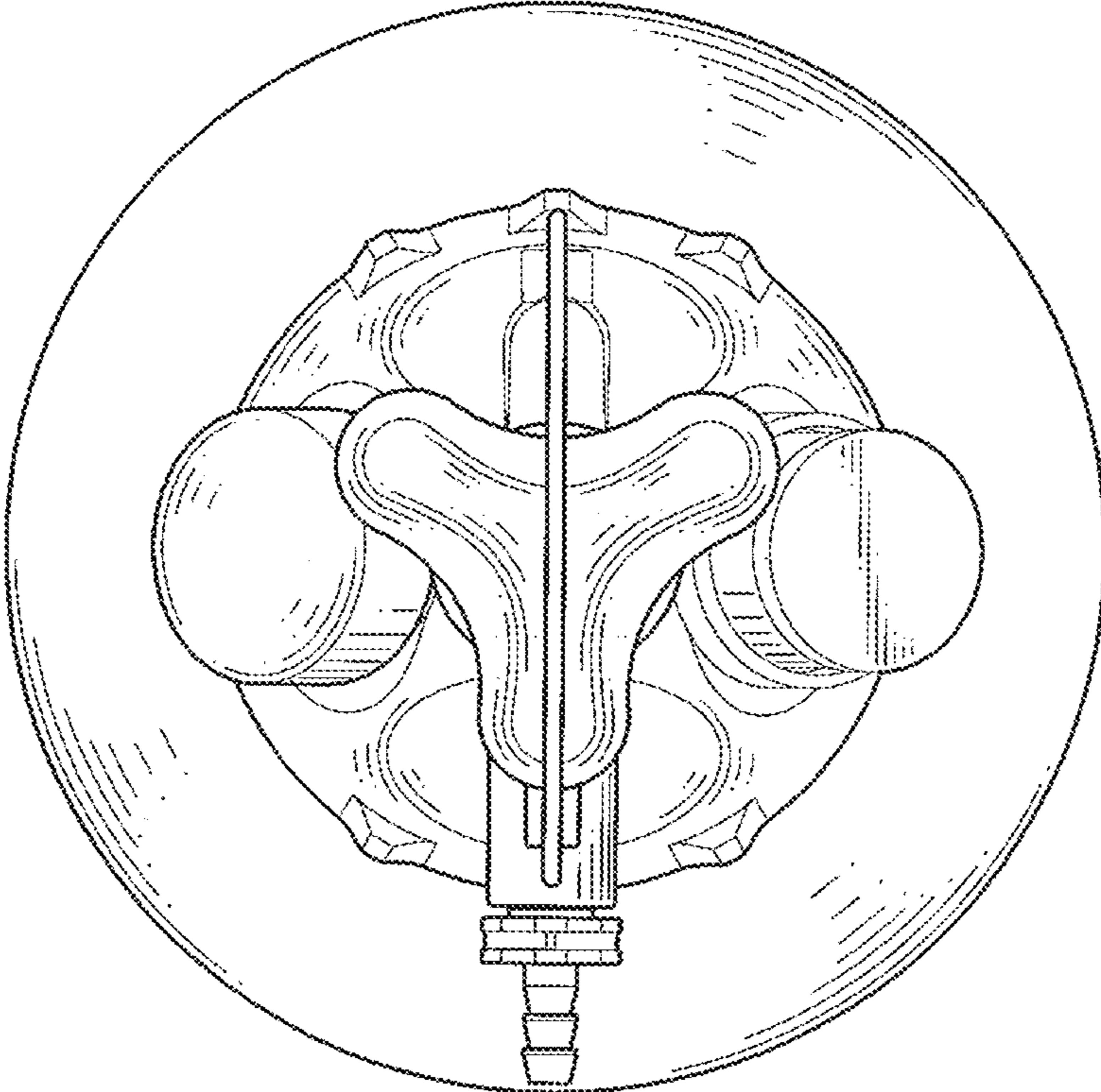


FIG. 6

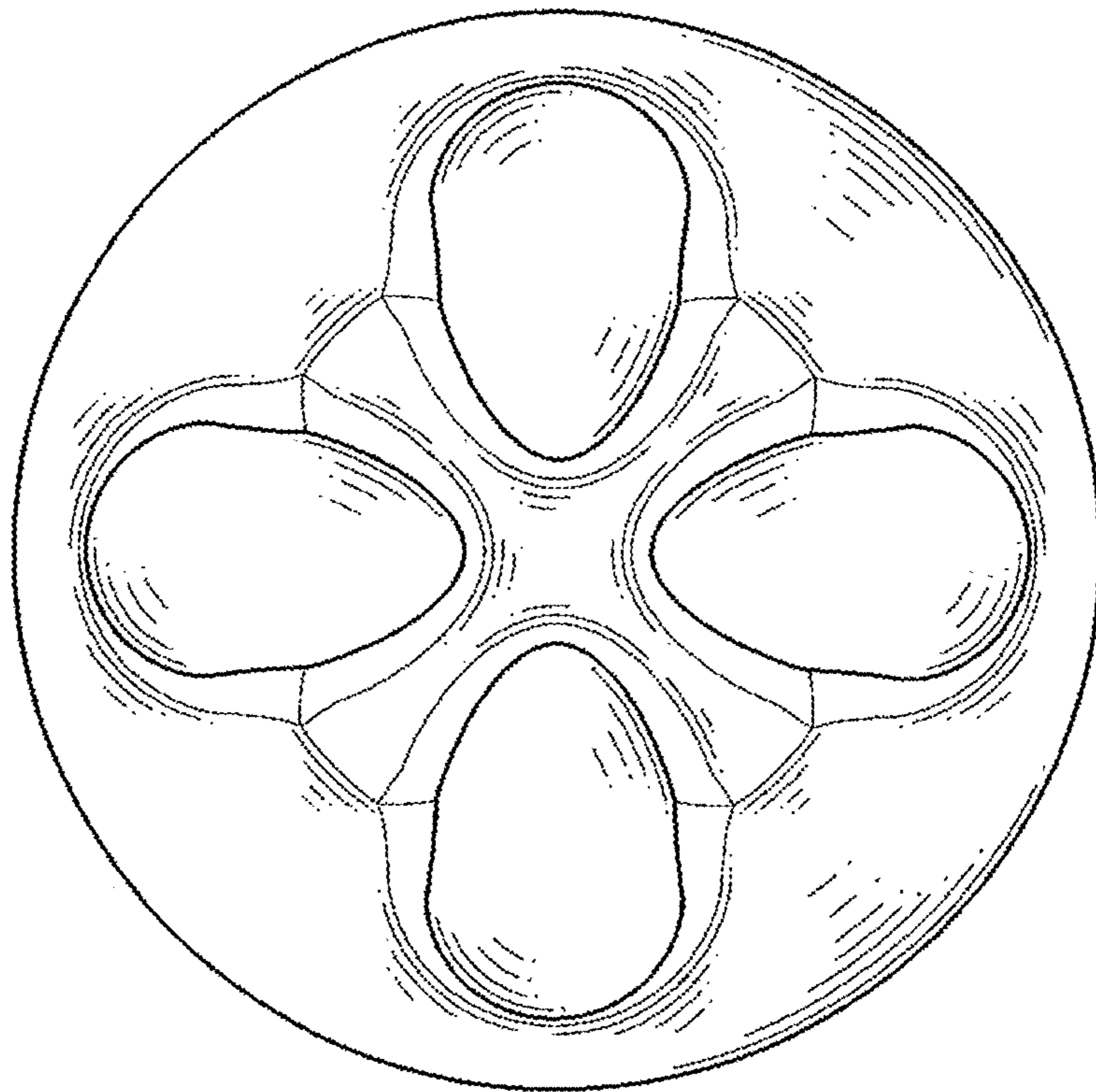


FIG. 7