



US00D776733S

(12) **United States Design Patent**
Convery

(10) **Patent No.:** **US D776,733 S**

(45) **Date of Patent:** **** Jan. 17, 2017**

(54) **MATERIAL HANDLING APPARATUS**

(71) Applicant: **CDE Global Limited**, Cookstown,
County Tyrone (GB)

(72) Inventor: **Anthony Convery**, Moneymore (GB)

(73) Assignee: **CDE Global Limited**, Cookstown (GB)

(**) Term: **15 Years**

(21) Appl. No.: **29/528,927**

(22) Filed: **Jun. 2, 2015**

(30) **Foreign Application Priority Data**

Dec. 4, 2014 (EM) 002590968-0002

(51) **LOC (10) Cl.** **15-09**

(52) **U.S. Cl.**
USPC **D15/147**

(58) **Field of Classification Search**
USPC D34/29; D15/147, 199; 209/420, 284,
209/241

CPC B07B 1/005; B07B 1/46; B07B 1/4672;
B07B 1/22; B07B 1/18; B07B 1/24
See application file for complete search history.

(56) **References Cited**

U.S. PATENT DOCUMENTS

2,734,730 A	2/1956	Taloy	
D218,480 S *	8/1970	Hannon	D15/147
D225,774 S *	1/1973	Hannon	D15/147
3,884,346 A *	5/1975	O'Neill	B07B 1/005 198/589
D235,476 S *	6/1975	O'Neil et al.	D34/29
D235,477 S *	6/1975	O'Neil et al.	D34/29
D237,105 S *	10/1975	O'Neil et al.	D34/29
D237,540 S *	11/1975	O'Neil et al.	D15/147
D244,925 S *	7/1977	O'Neill	D15/147
D259,791 S *	7/1981	Davis, Jr.	D15/147

5,234,564 A	8/1993	Smith	
D375,752 S	11/1996	Douglas	
6,065,606 A *	5/2000	Bonner	B07B 13/16 209/241
6,098,812 A	8/2000	Douglas	
6,698,594 B2	3/2004	Cohen et al.	
6,726,025 B1	4/2004	Huskey	
D549,755 S	8/2007	Wietgreffe et al.	
7,273,150 B2	9/2007	Fridman et al.	
D589,992 S *	4/2009	Murphy	D15/147
D631,900 S *	2/2011	Prochaska	D15/147

(Continued)

OTHER PUBLICATIONS

Co-pending and commonly-owned Design U.S. Appl. No. 29/528,919, filed Jun. 2, 2015.

Primary Examiner — Cynthia Ramirez

(74) *Attorney, Agent, or Firm* — Gardner, Linn, Burkhardt & Flory, LLP

(57) **CLAIM**

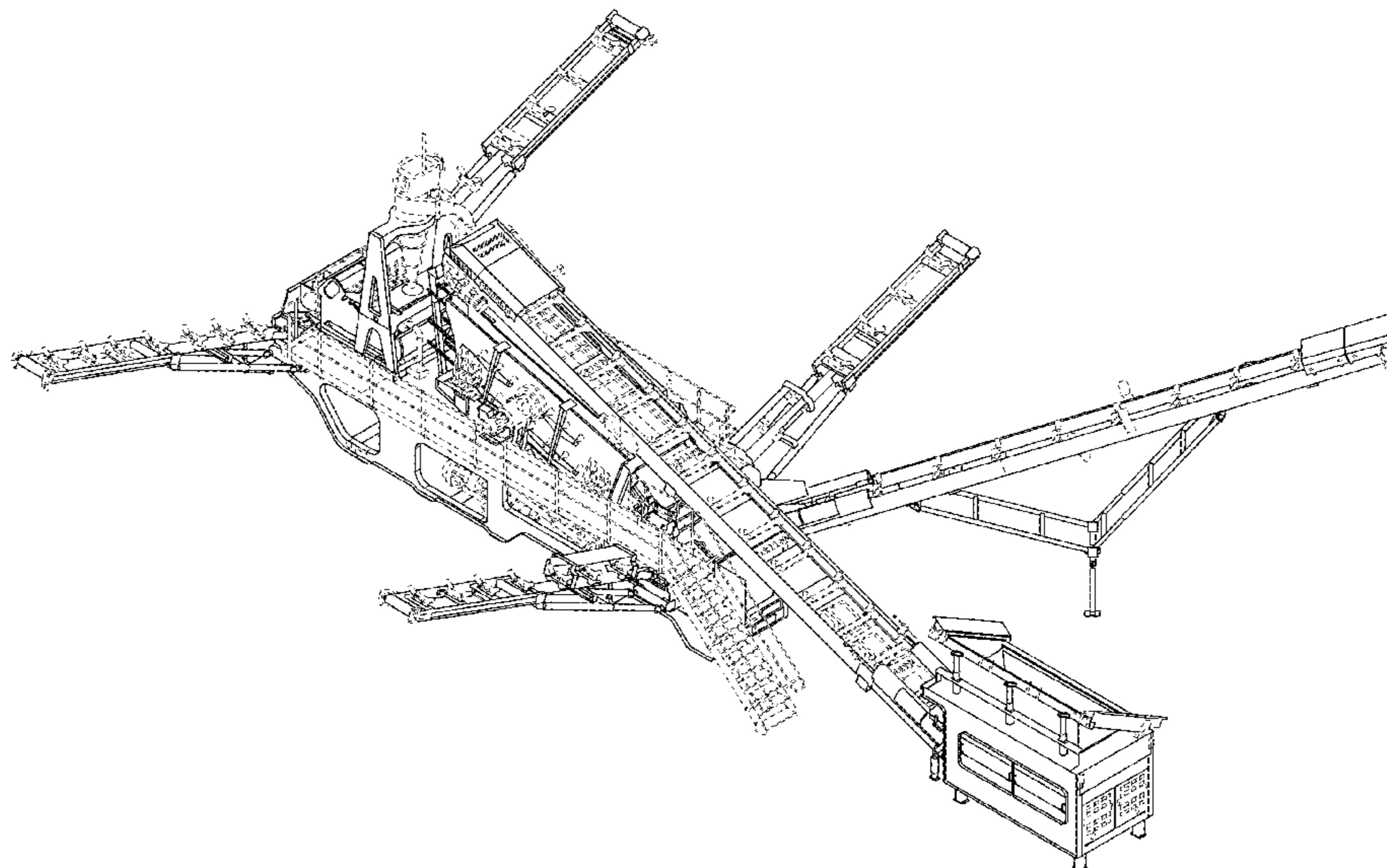
The ornamental design for a material handling apparatus, as shown and described.

DESCRIPTION

FIG. 1 is a perspective view of a material handling apparatus showing my new design;
FIG. 2 is a right side elevation of the material handling apparatus of FIG. 1;
FIG. 3 is a left side elevation of the material handling apparatus of FIG. 1;
FIG. 4 is a front elevation of the material handling apparatus of FIG. 1; and,
FIG. 5 is a top plan view of the material handling apparatus of FIG. 1.

The broken lines shown in the figures are included for the purpose of illustrating portions of the material handling apparatus and forms no part of the claimed design.

1 Claim, 5 Drawing Sheets



(56)

References Cited

U.S. PATENT DOCUMENTS

2005/0045052 A1 3/2005 Cohen et al.
2007/0051669 A1 3/2007 Mandrell et al.
2007/0102326 A1 5/2007 Smith et al.

* cited by examiner

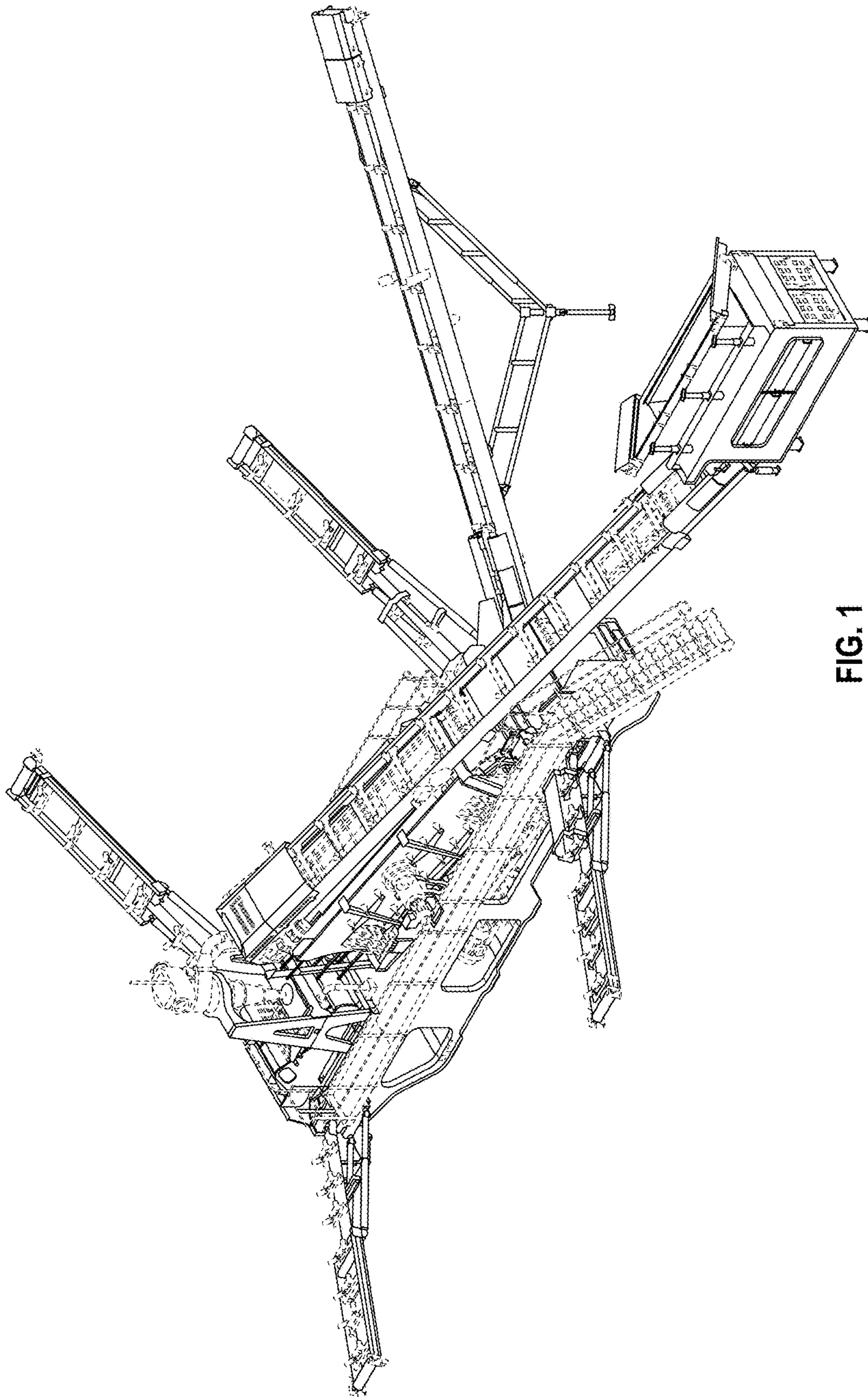


FIG. 1

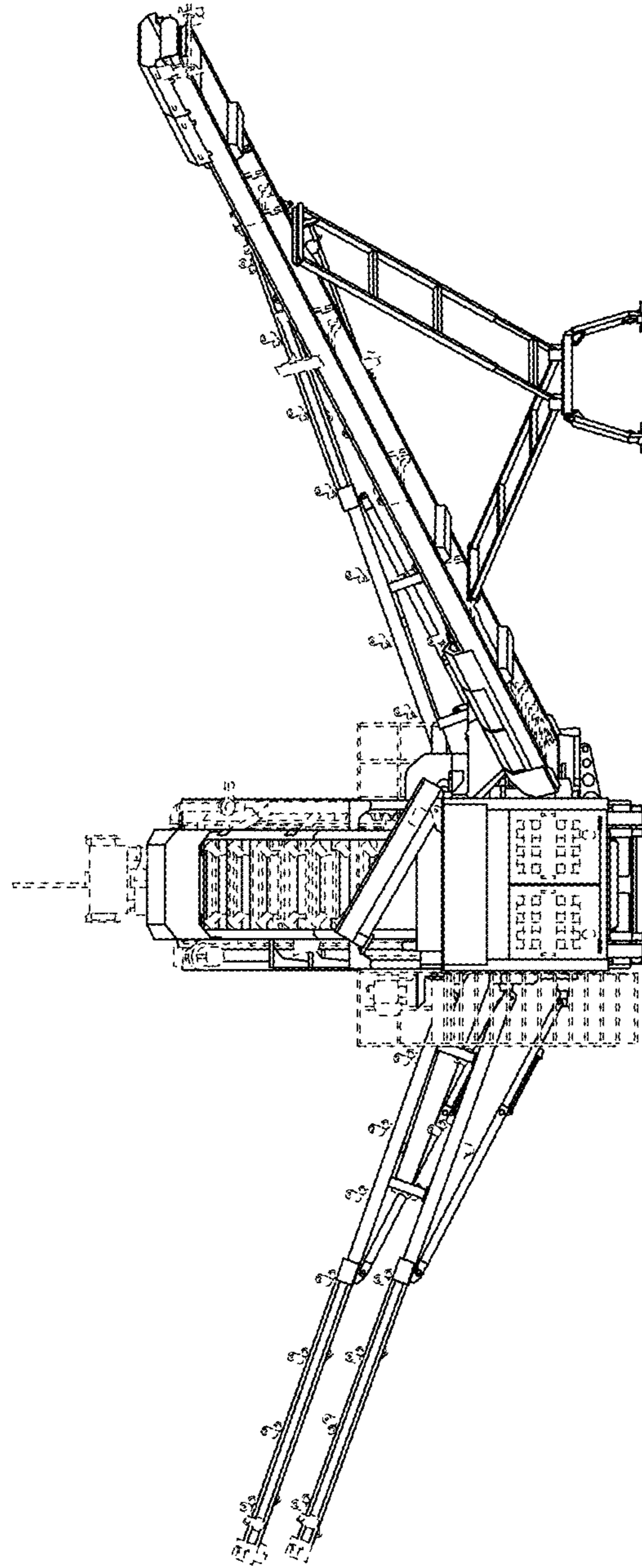


FIG. 2

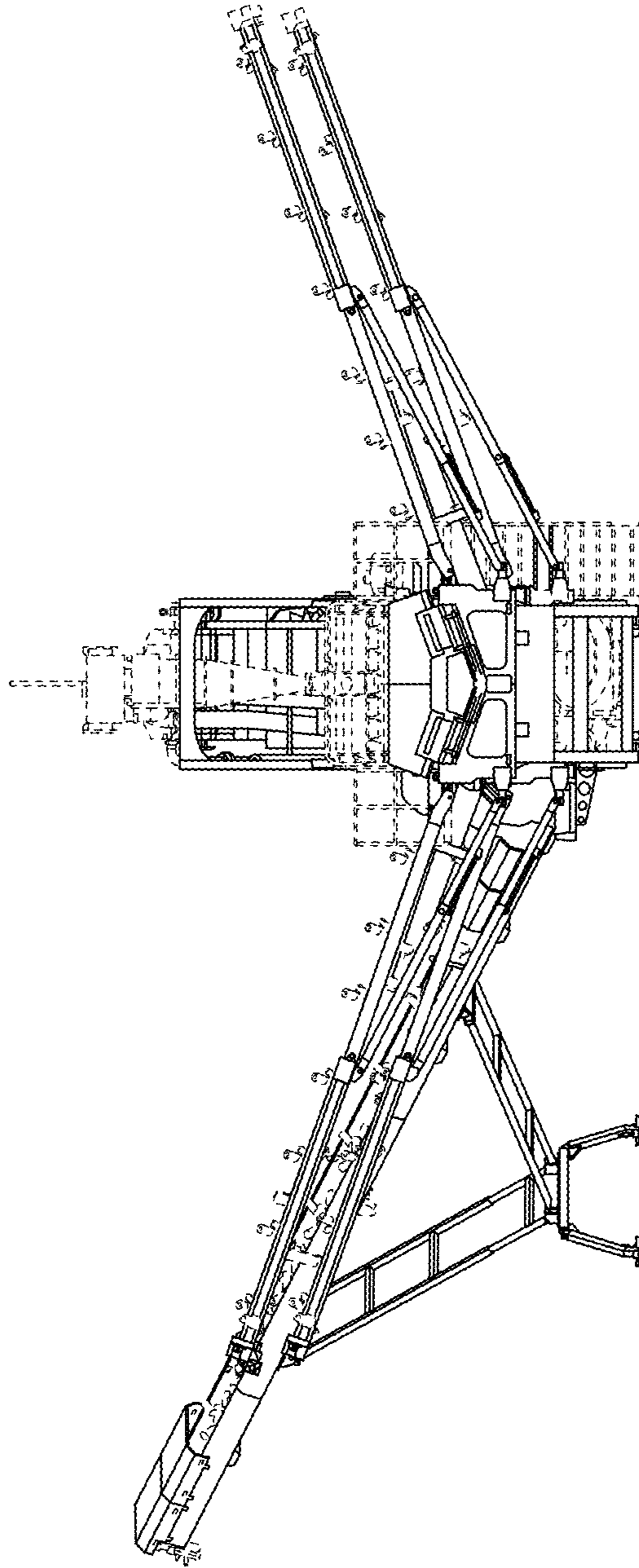


FIG. 3

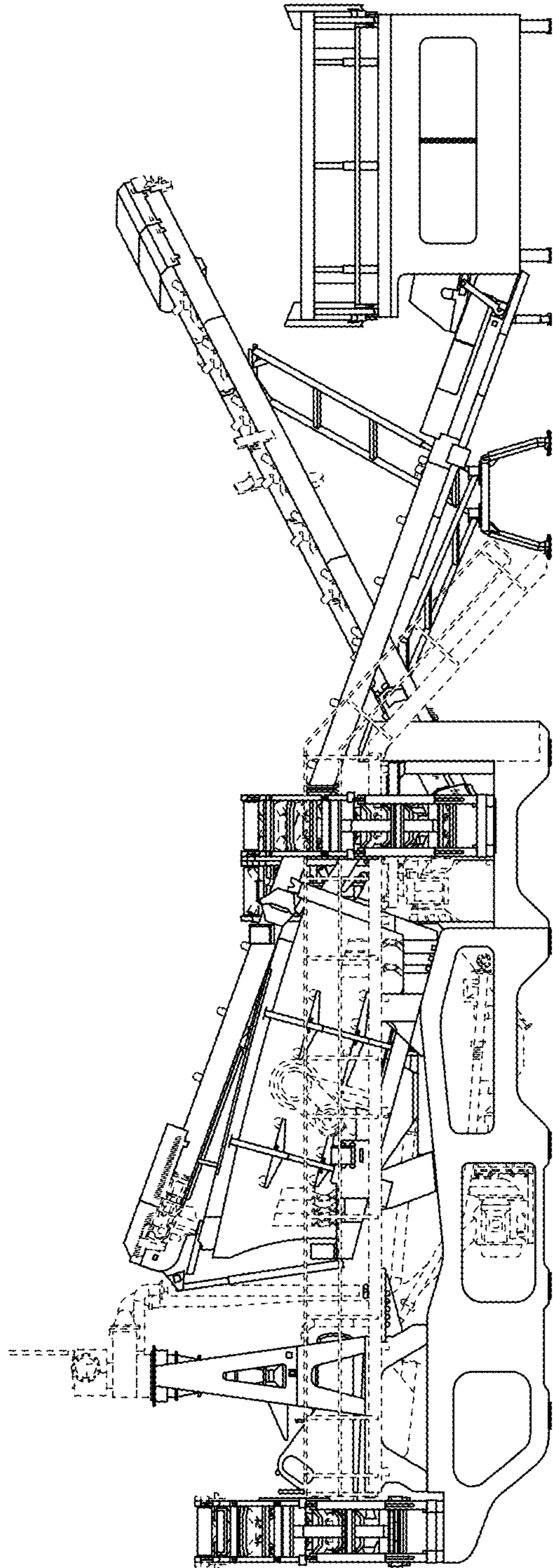


FIG. 4

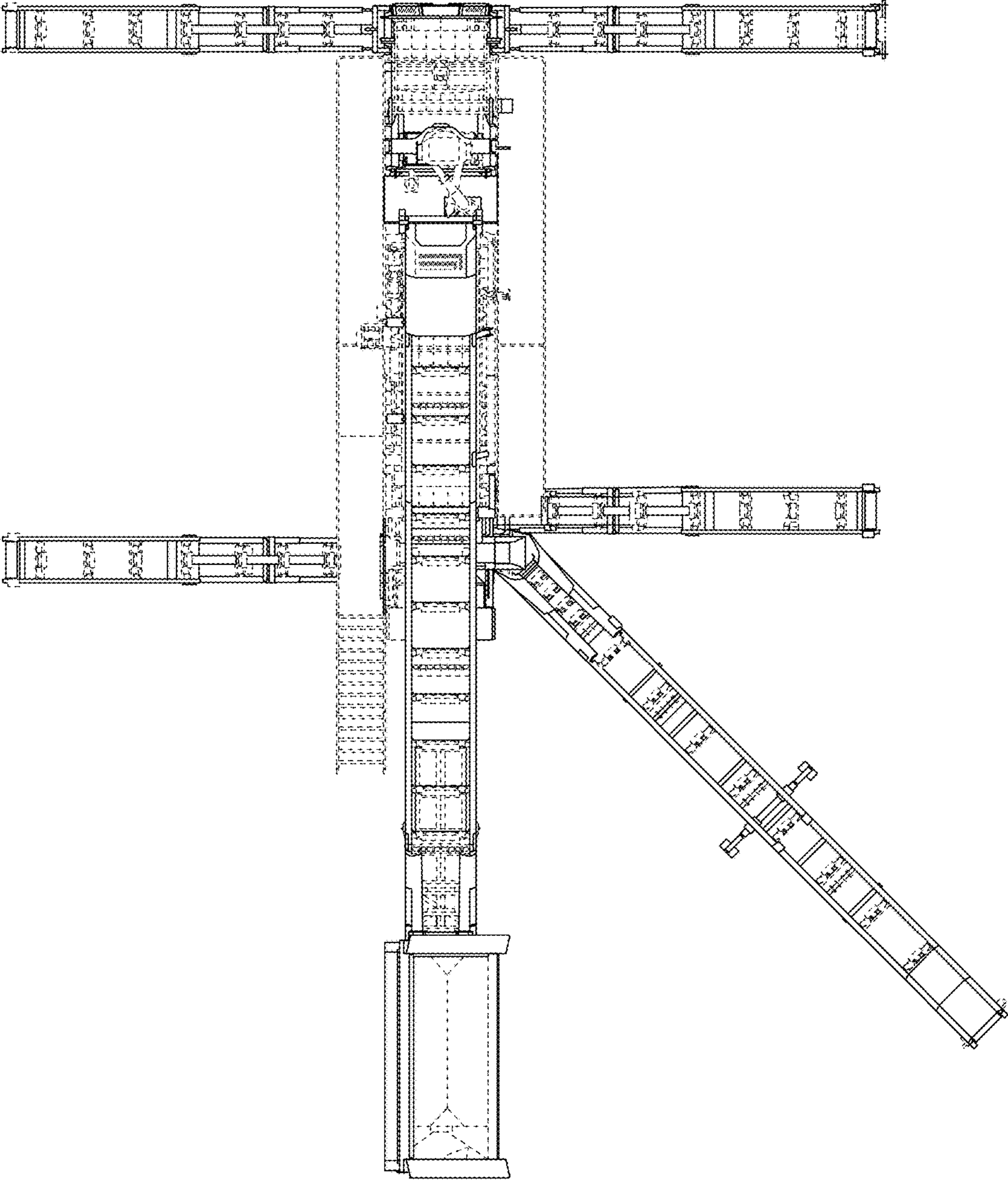


FIG. 5