



US00D776732S

(12) **United States Design Patent**  
**Convery**

(10) **Patent No.:** **US D776,732 S**

(45) **Date of Patent:** **\*\* Jan. 17, 2017**

(54) **MATERIAL HANDLING APPARATUS**

(71) Applicant: **CDE Global Limited**, Cookstown,  
County Tyrone (GB)

(72) Inventor: **Anthony Convery**, Moneymore (GB)

(73) Assignee: **CDE Global Limited**, Cookstown (GB)

(\*\*) Term: **15 Years**

(21) Appl. No.: **29/528,919**

(22) Filed: **Jun. 2, 2015**

(30) **Foreign Application Priority Data**

Dec. 4, 2014 (EM) ..... 002590968-0001

(51) **LOC (10) Cl.** ..... **15-09**

(52) **U.S. Cl.**  
USPC ..... **D15/147**

(58) **Field of Classification Search**  
USPC ..... D34/29; D15/147, 199; 209/420, 284,  
209/241  
CPC ..... B07B 1/005; B07B 1/46; B07B 1/4672;  
B07B 1/22; B07B 1/18; B07B 1/24  
See application file for complete search history.

(56) **References Cited**

**U.S. PATENT DOCUMENTS**

2,734,730 A	2/1956	Taloy	
D218,480 S *	8/1970	Hannon	D15/147
D225,774 S *	1/1973	Hannon	D15/147
3,884,346 A *	5/1975	O'Neill	B07B 1/005
			198/589
D235,476 S *	6/1975	O'Neil et al.	D34/29
D235,477 S *	6/1975	O'Neil et al.	D34/29
D237,105 S *	10/1975	O'Neil et al.	D34/29
D237,540 S *	11/1975	O'Neil et al.	D15/147
D244,925 S *	7/1977	O'Neill	D15/147
D259,791 S *	7/1981	Davis, Jr.	D15/147
5,234,564 A	8/1993	Smith	

D375,752 S 11/1996 Douglas  
6,065,606 A \* 5/2000 Bonner ..... B07B 13/16  
209/241

6,098,812 A 8/2000 Douglas  
6,698,594 B2 3/2004 Cohen et al.  
6,726,025 B1 4/2004 Huskey

(Continued)

**OTHER PUBLICATIONS**

Co-pending and commonly-owned design U.S. Appl. No.  
29/528,927, filed Jun. 2, 2015.

*Primary Examiner* — Cynthia Ramirez

(74) *Attorney, Agent, or Firm* — Gardner, Linn, Burkhardt  
& Flory, LLP

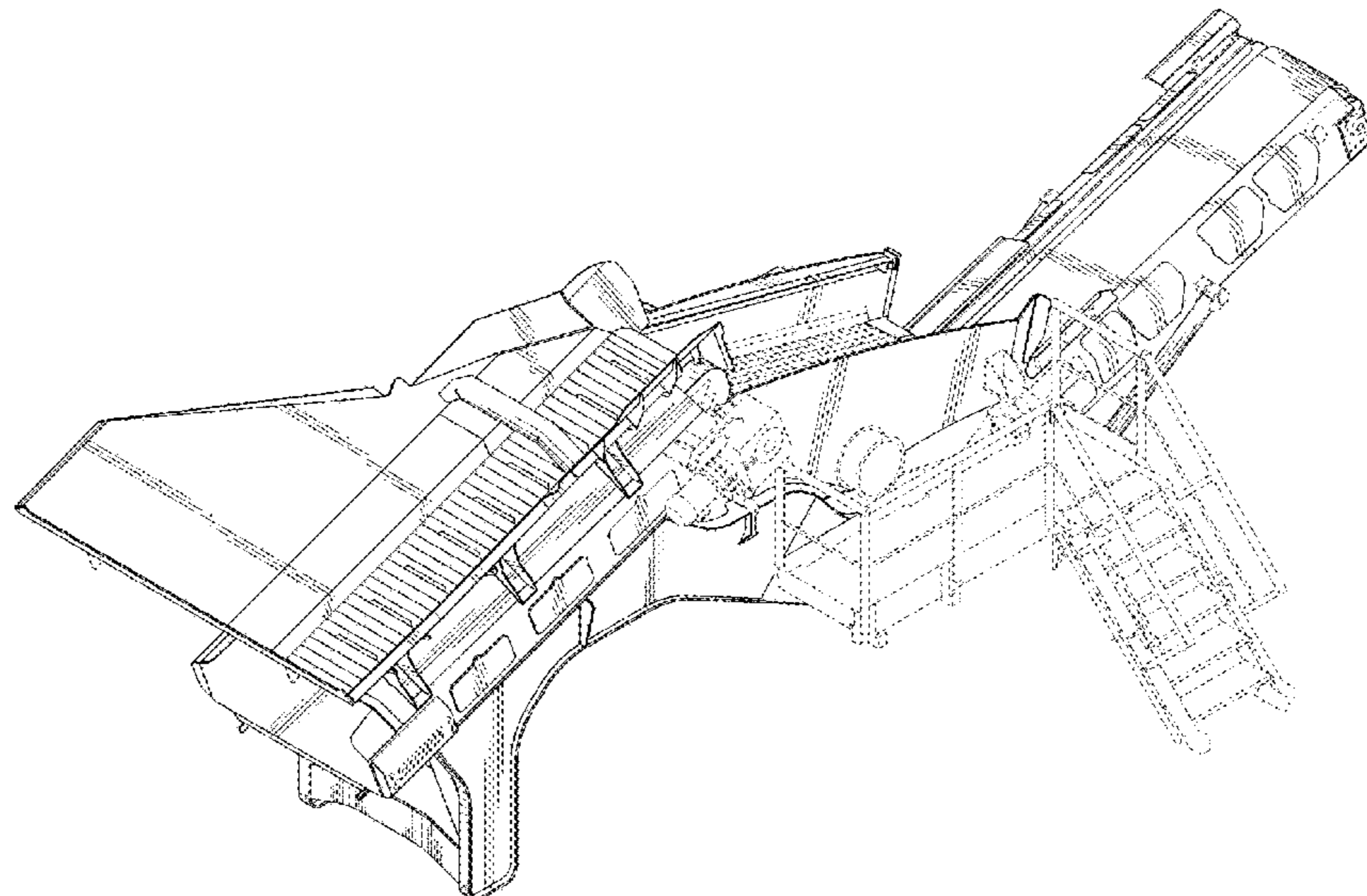
(57) **CLAIM**

The ornamental design for a material handling apparatus, as  
shown and described.

**DESCRIPTION**

FIG. 1 is a perspective view of a material handling apparatus  
showing my new design;  
FIG. 2 is a left side elevation of the material handling  
apparatus of FIG. 1;  
FIG. 3 is a right side elevation of the material handling  
apparatus of FIG. 1;  
FIG. 4 is a rear elevation of the material handling apparatus  
of FIG. 1;  
FIG. 5 is a front elevation of the material handling apparatus  
of FIG. 1;  
FIG. 6 is a top plan view of the material handling apparatus  
of FIG. 1; and,  
FIG. 7 is another perspective view of the material handling  
apparatus of FIG. 1.  
The broken lines shown in the figures are included for the  
purpose of illustrating portions of the material handling  
apparatus and forms no part of the claimed design.

**1 Claim, 7 Drawing Sheets**



(56)

**References Cited**

U.S. PATENT DOCUMENTS

D549,755 S	8/2007	Wietgreffe et al.	
7,273,150 B2	9/2007	Fridman et al.	
D589,992 S *	4/2009	Murphy .....	D15/147
D631,900 S *	2/2011	Prochaska .....	D15/147
2005/0045052 A1	3/2005	Cohen et al.	
2007/0051669 A1	3/2007	Mandrell et al.	
2007/0102326 A1	5/2007	Smith et al.	

\* cited by examiner

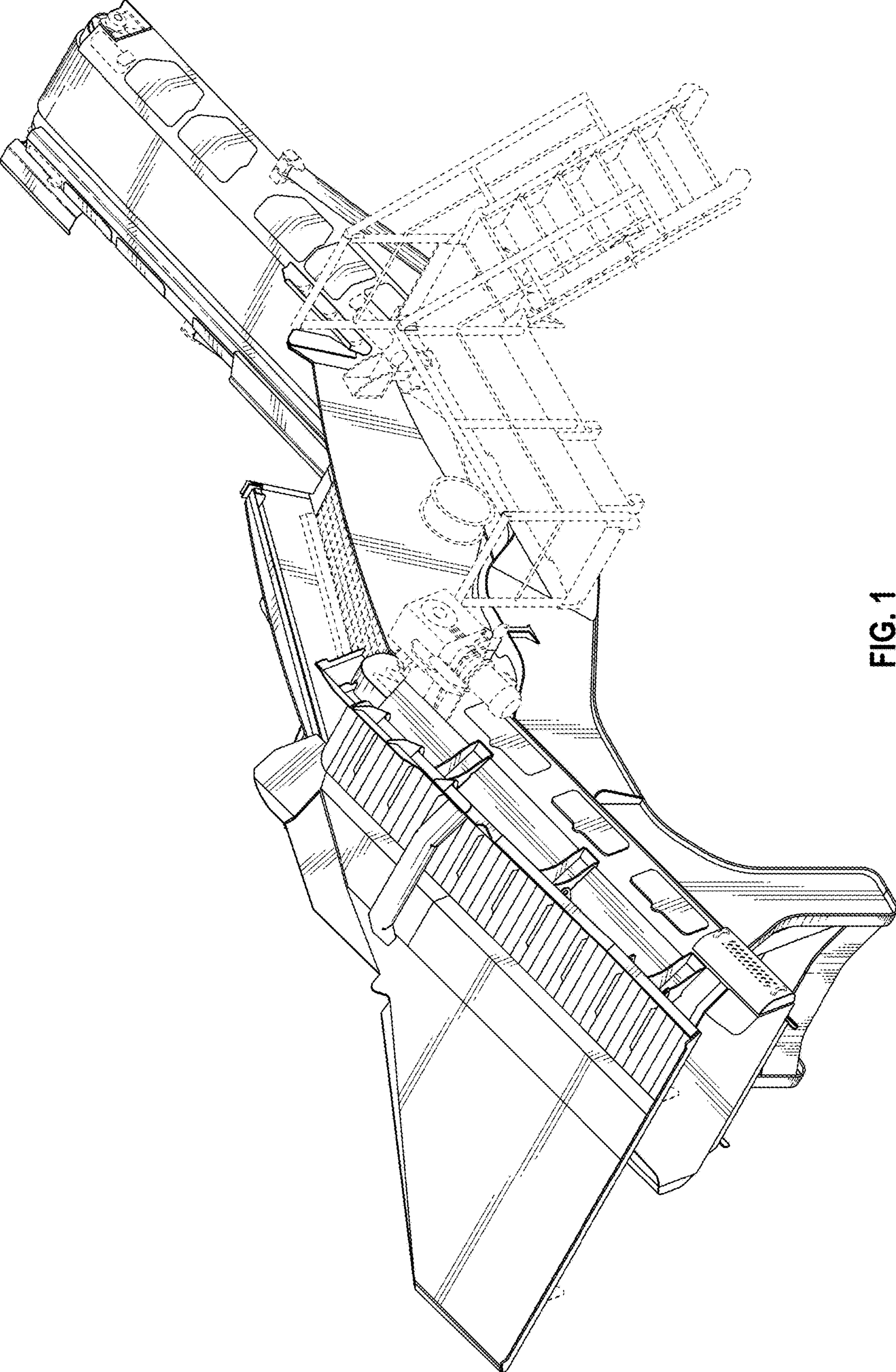


FIG. 1

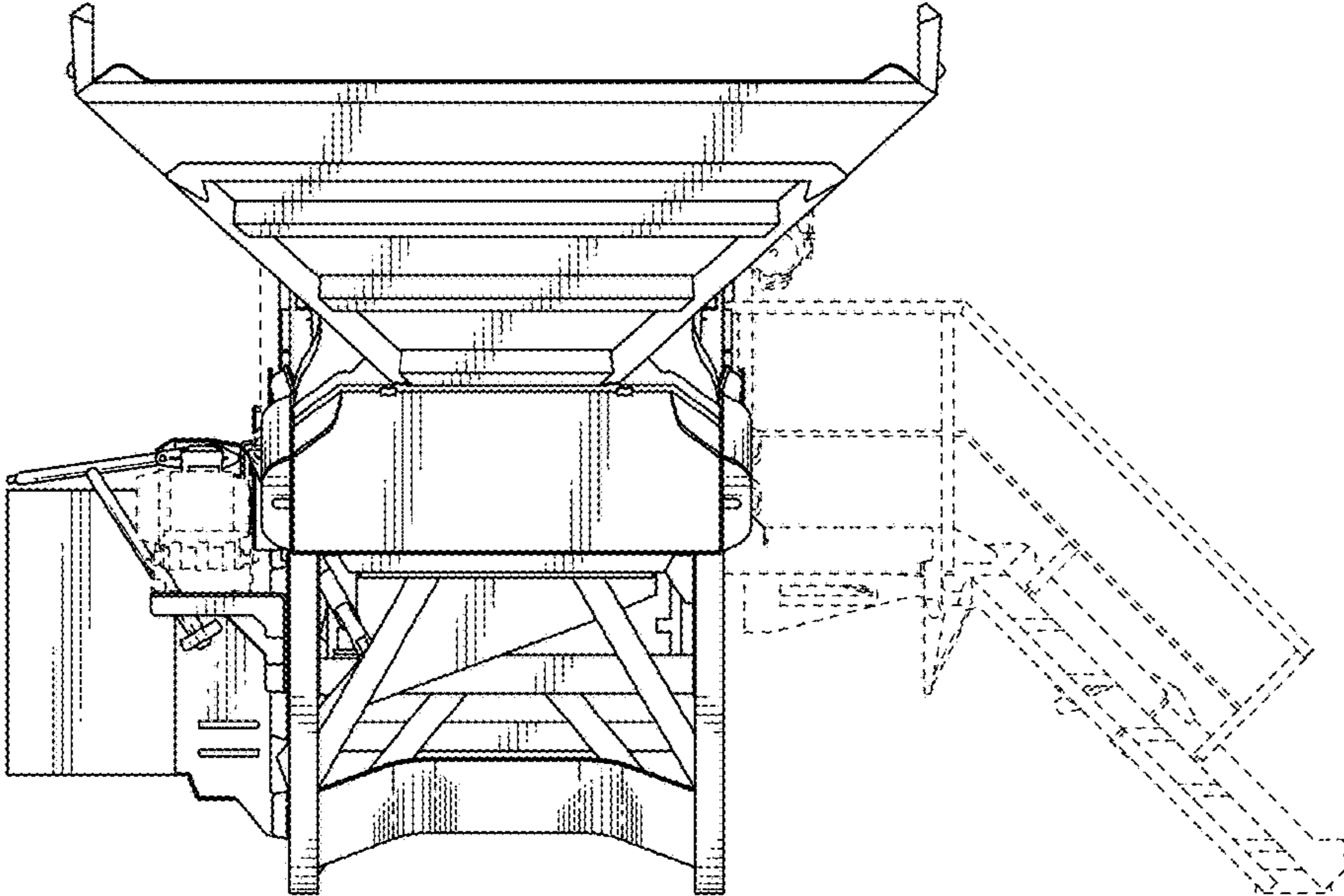


FIG. 2

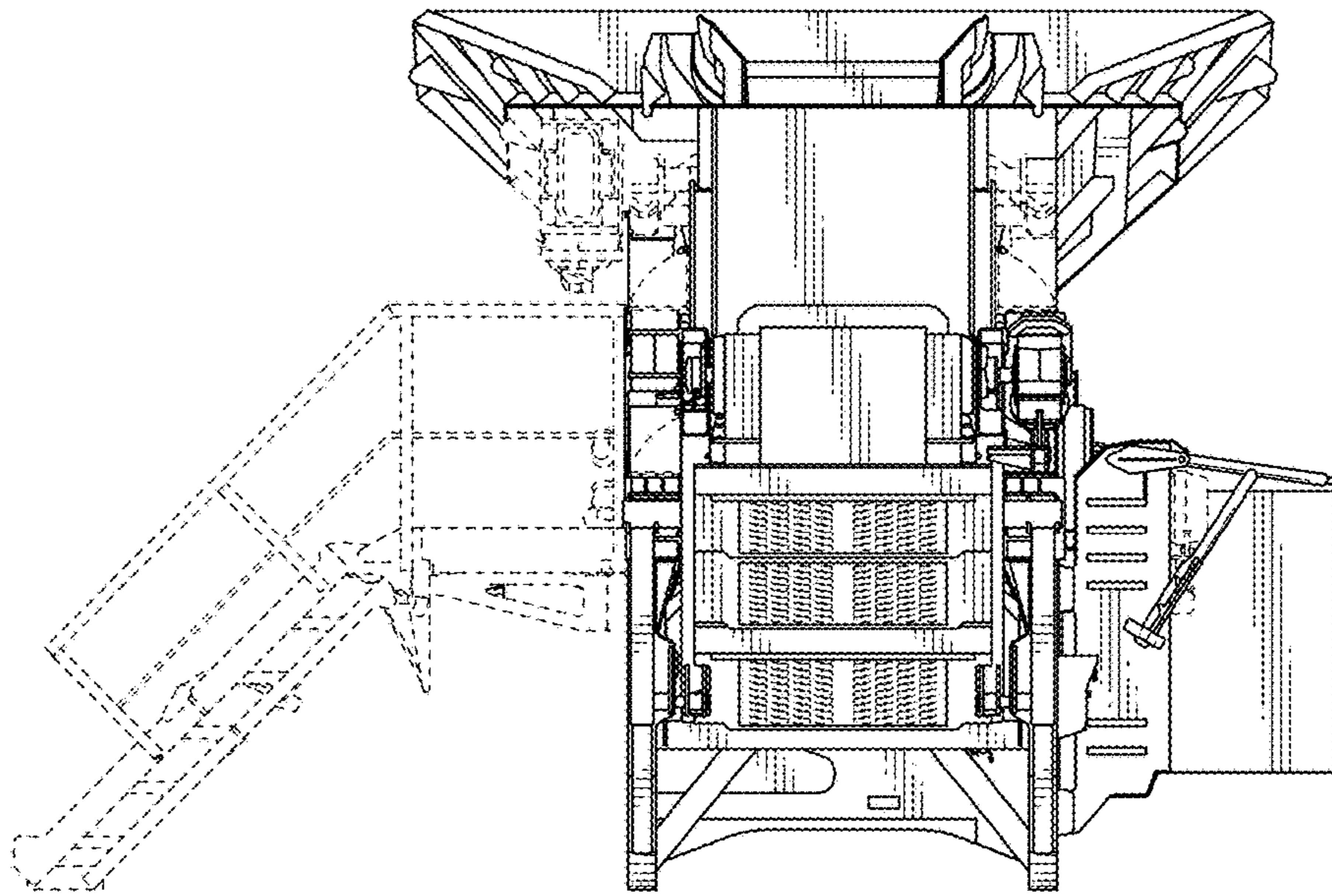


FIG. 3

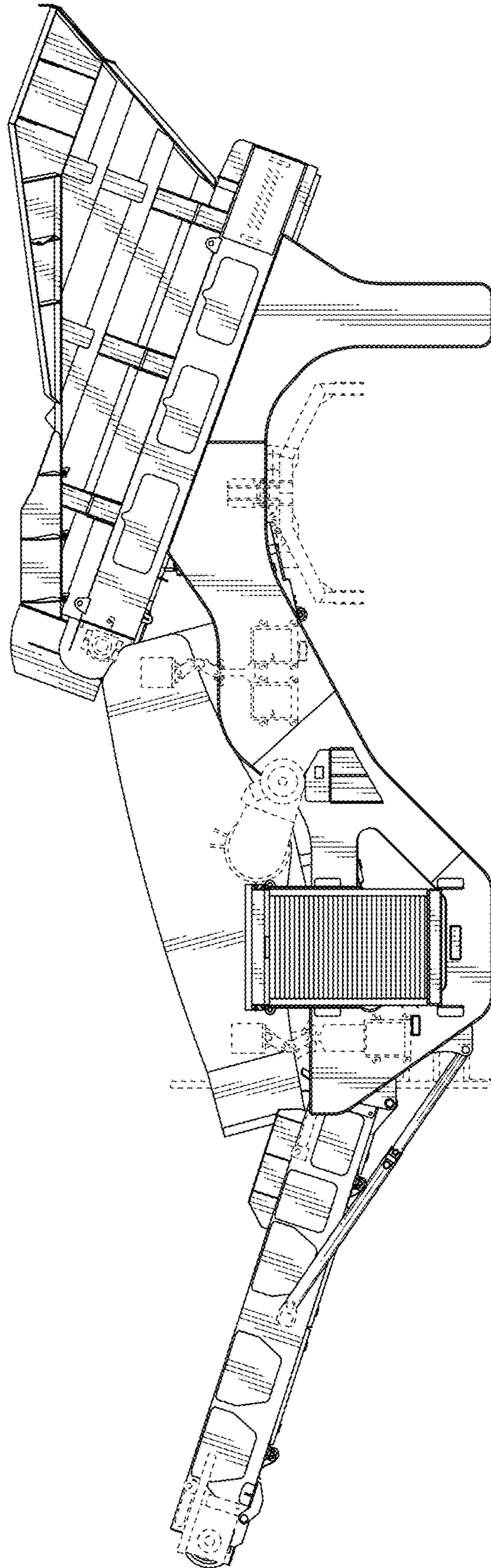


FIG. 4

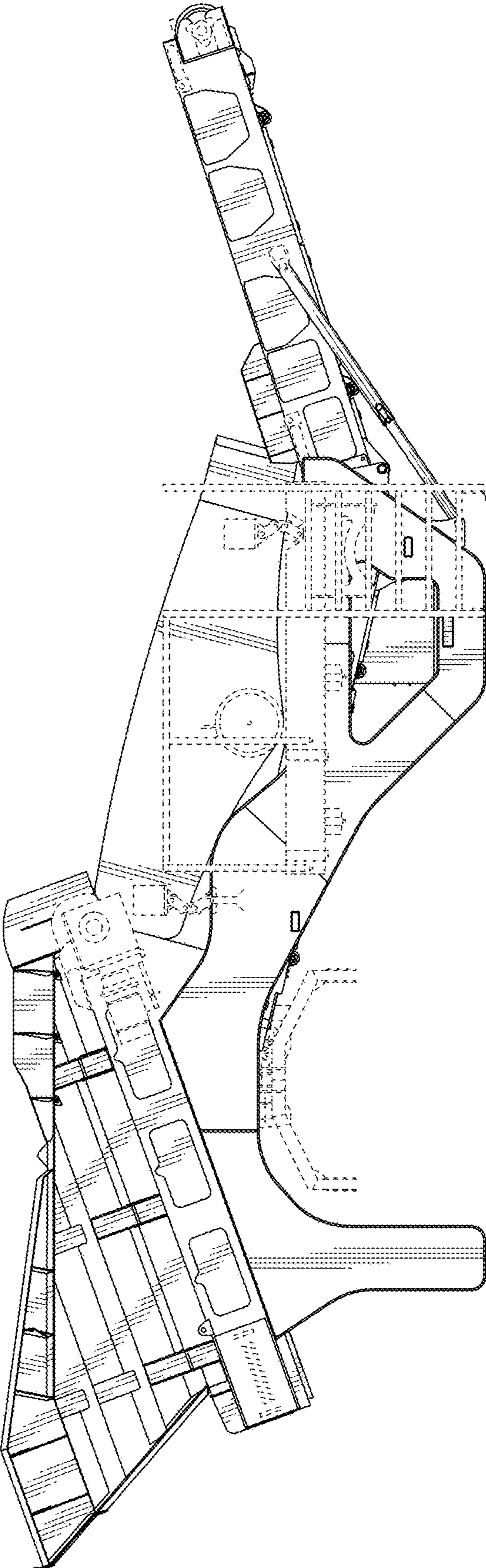


FIG. 5

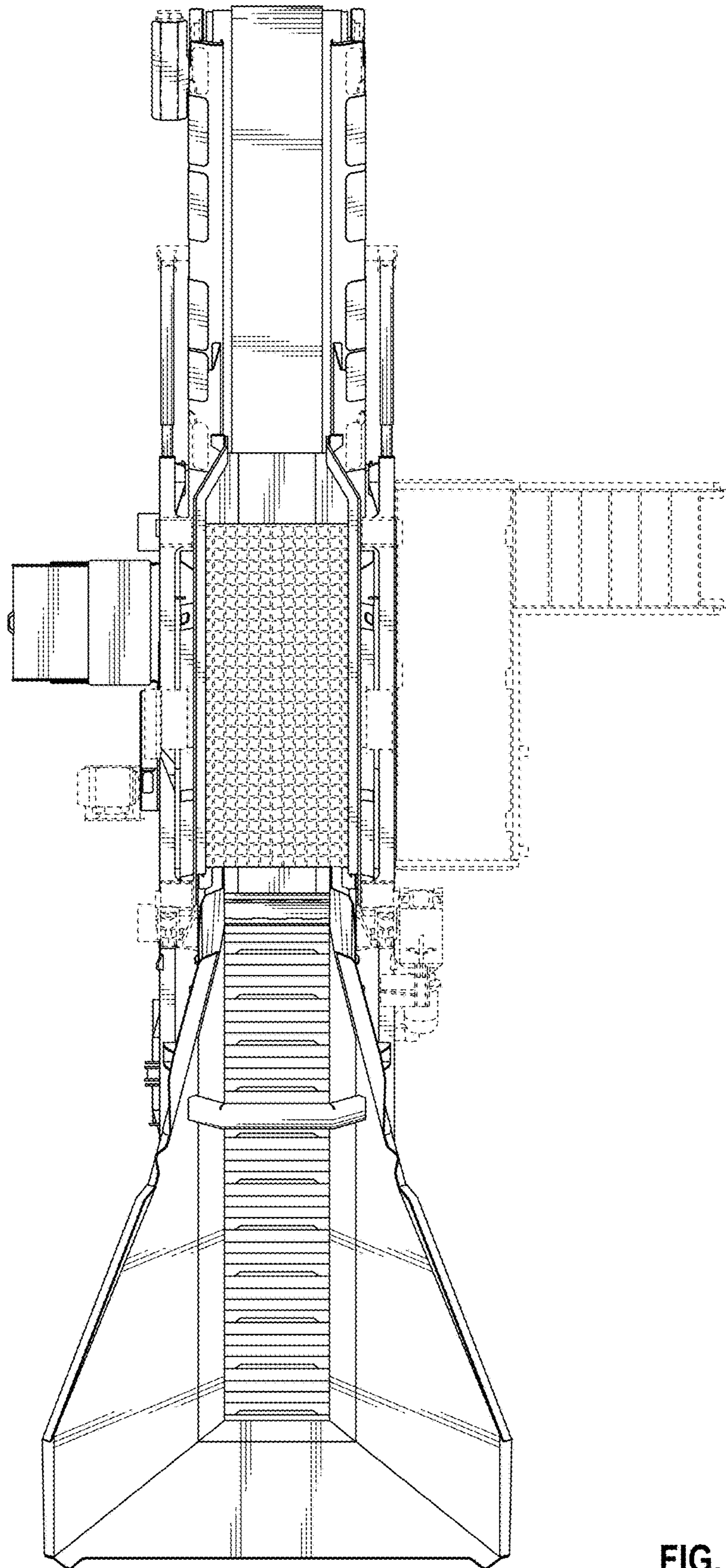


FIG. 6



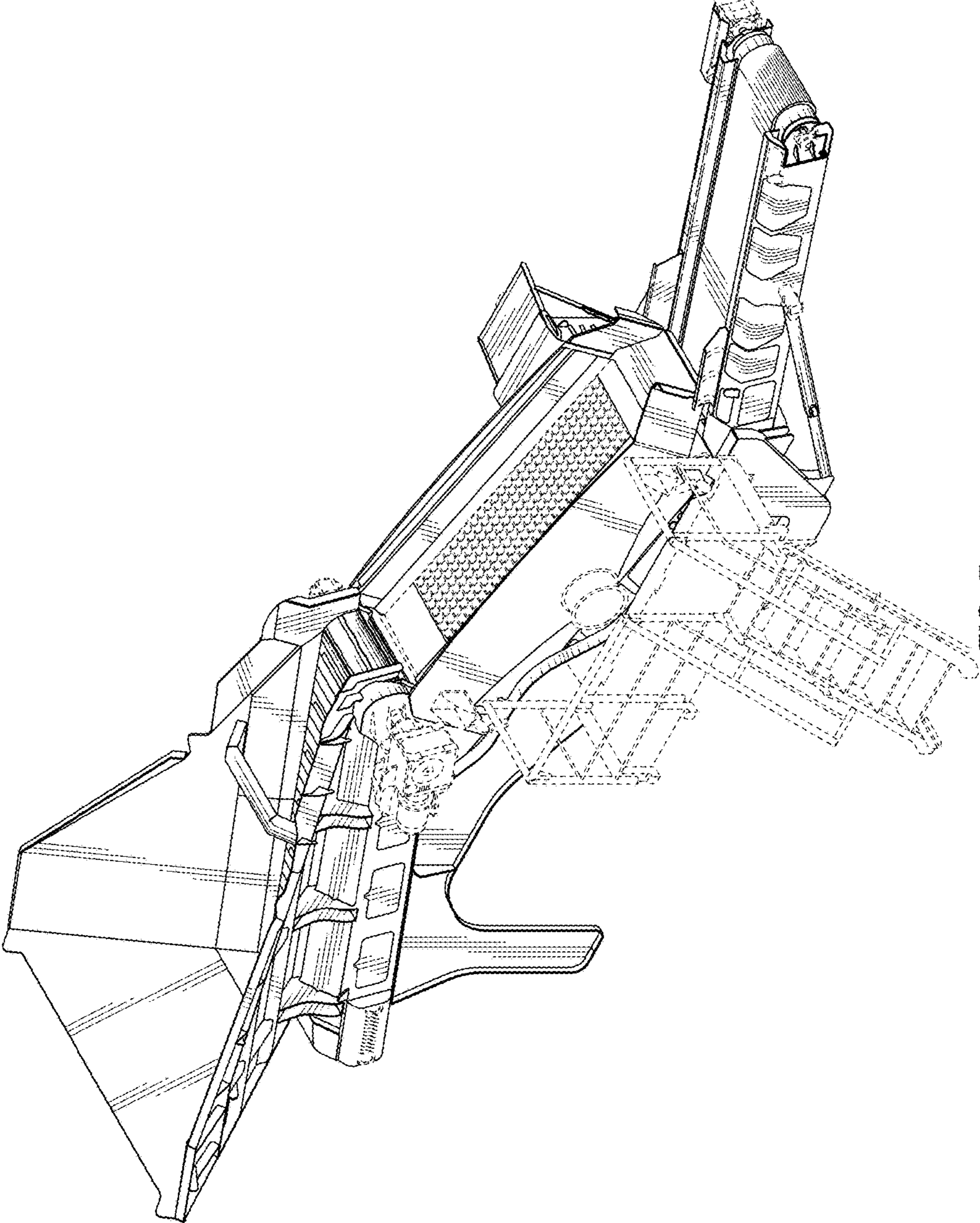


FIG. 7