



US00D776731S

(12) **United States Design Patent**
Yamaguchi et al.

(10) **Patent No.:** **US D776,731 S**
(45) **Date of Patent:** **** Jan. 17, 2017**

- (54) **PLASMA TORCH CARTRIDGE**
- (71) Applicants: **KOMATSU LTD.**, Tokyo (JP);
KOMATSU INDUSTRIES CORP.,
Kanazawa-shi, Ishikawa (JP)
- (72) Inventors: **Yoshihiro Yamaguchi**, Nomi (JP);
Keita Kondo, Nomi (JP); **Shigeo**
Morimoto, Hiratsuka (JP); **Katsuo**
Saio, Hiratsuka (JP)
- (73) Assignees: **KOMATSU LTD.**, Tokyo (JP);
KOMATSU INDUSTRIES CORP.,
Kanazawa-shi, Ishikiawa (JP)
- (**) Term: **15 Years**
- (21) Appl. No.: **29/534,283**
- (22) Filed: **Jul. 28, 2015**
- (30) **Foreign Application Priority Data**
Jan. 30, 2015 (JP) 2015-001795
- (51) **LOC (10) Cl.** **15-09**
- (52) **U.S. Cl.**
USPC **D15/144**
- (58) **Field of Classification Search**
USPC D8/14, 14.1, 29.1, 30; D15/122, 144,
D15/144.1, 144.2; 219/75, 121.5, 121.45,
219/1, 121.48, 121.51; 313/231.41
See application file for complete search history.

- (56) **References Cited**
U.S. PATENT DOCUMENTS
4,954,688 A * 9/1990 Winterfeldt B23K 9/291
219/121.48
D365,345 S * 12/1995 Carkhuff D15/144
5,856,647 A * 1/1999 Luo B23K 10/00
219/121.48
5,893,985 A * 4/1999 Luo B23K 10/00
219/121.48

- 6,163,008 A * 12/2000 Roberts H05H 1/34
219/121.48
- 6,169,264 B1 * 1/2001 Marhic H05H 1/34
219/121.48
- D446,231 S * 8/2001 Kuraoka D15/144
- 6,559,407 B2 * 5/2003 Chancey H05H 1/34
219/121.47
- 6,888,092 B2 * 5/2005 Walters B23K 9/24
219/121.48

(Continued)

Primary Examiner — Patricia Palasik
(74) *Attorney, Agent, or Firm* — Fox Rothschild LLP

(57) **CLAIM**

The ornamental design for a plasma torch cartridge, as shown and described.

DESCRIPTION

FIG. 1 is a front perspective view of a plasma torch cartridge showing our new design;
 FIG. 2 is a rear perspective view thereof;
 FIG. 3 is a front view thereof;
 FIG. 4 is a rear view thereof;
 FIG. 5 is a top plan view thereof;
 FIG. 6 is a bottom plan view thereof;
 FIG. 7 is a right side view thereof;
 FIG. 8 is a left side view thereof;
 FIG. 9 is a cross-sectional view taken along line 9-9 in FIG. 3;
 FIG. 10 is a cross-sectional view taken along line 10-10 in FIG. 7; and,
 FIG. 11 is a cross-sectional view showing the article installed in a plasma torch.

The features shown in even-length broken lines in the drawings depict environmental subject matter only and form no part of the claimed design. The dot-dashed lines shown in FIGS. 1 and 8 denote the boundary of the claim and form no part of the claimed design.

1 Claim, 11 Drawing Sheets

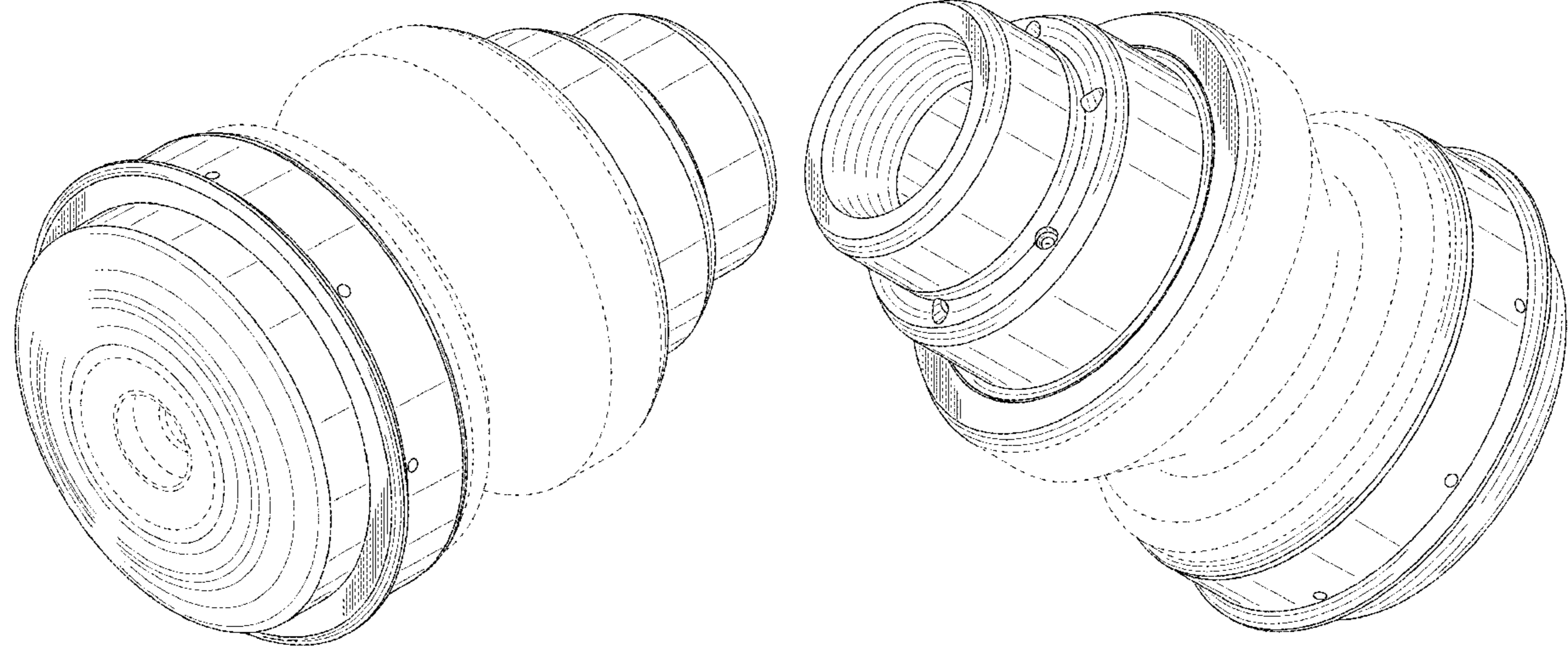


FIG. 1

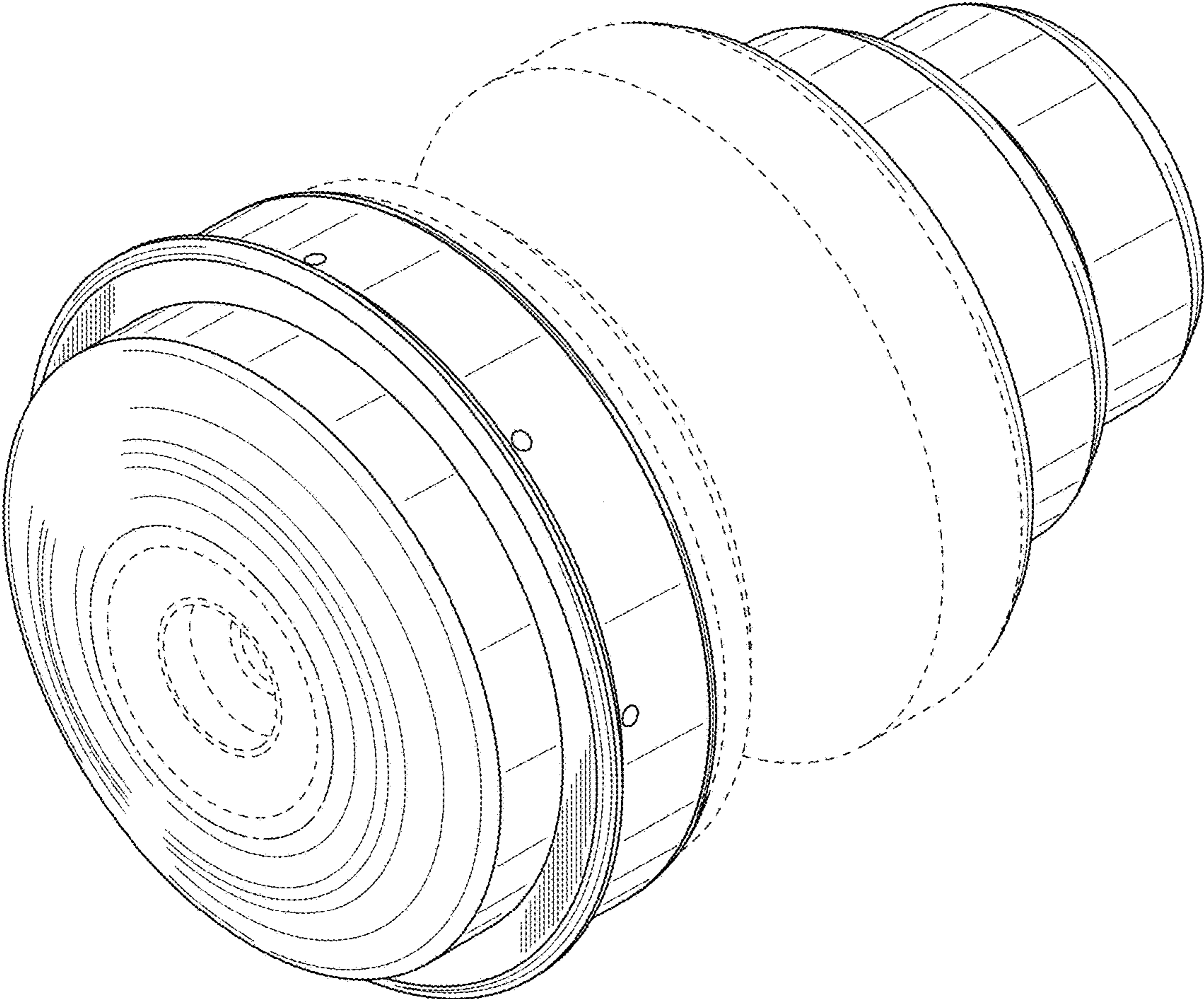


FIG. 2

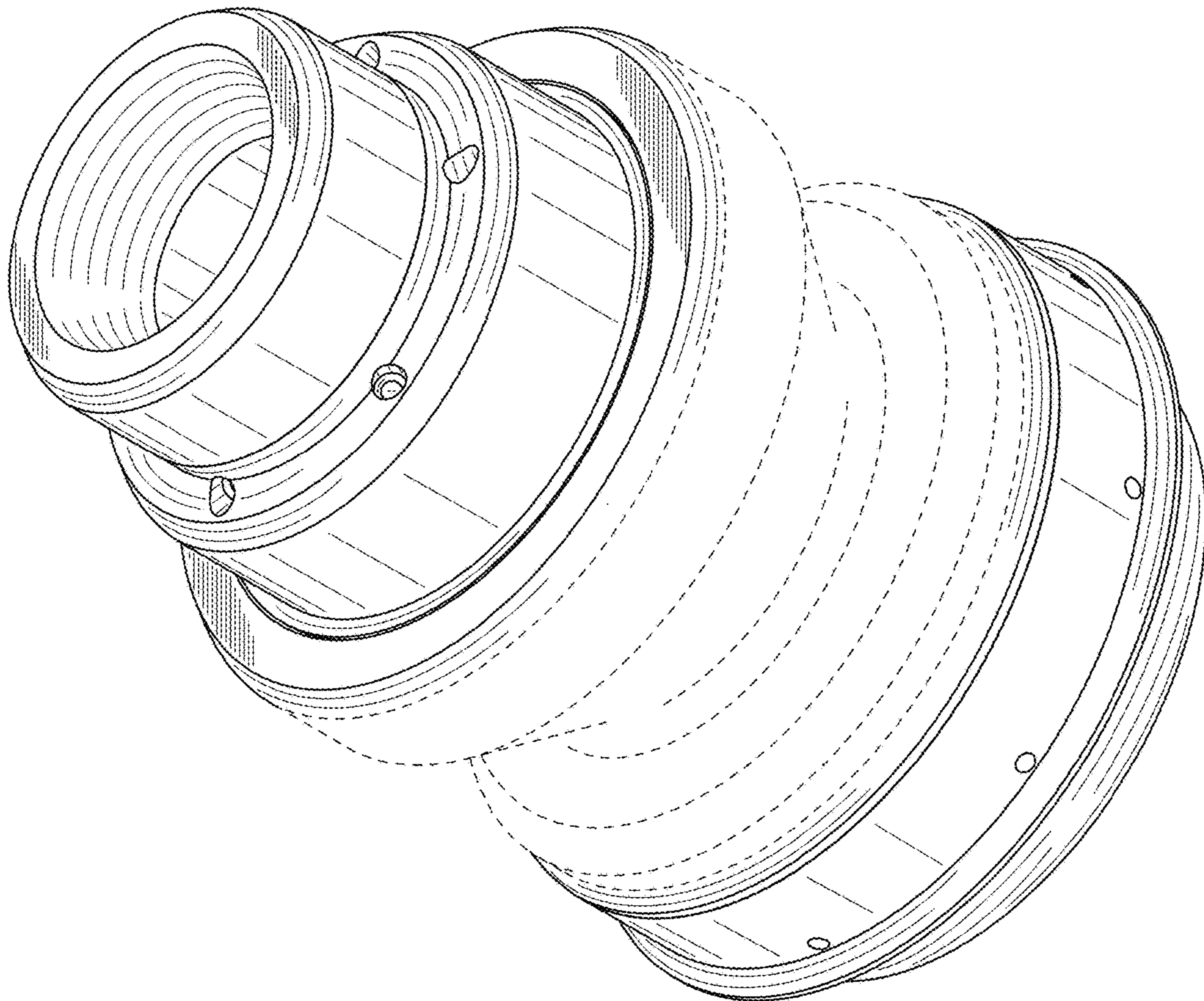


FIG. 3

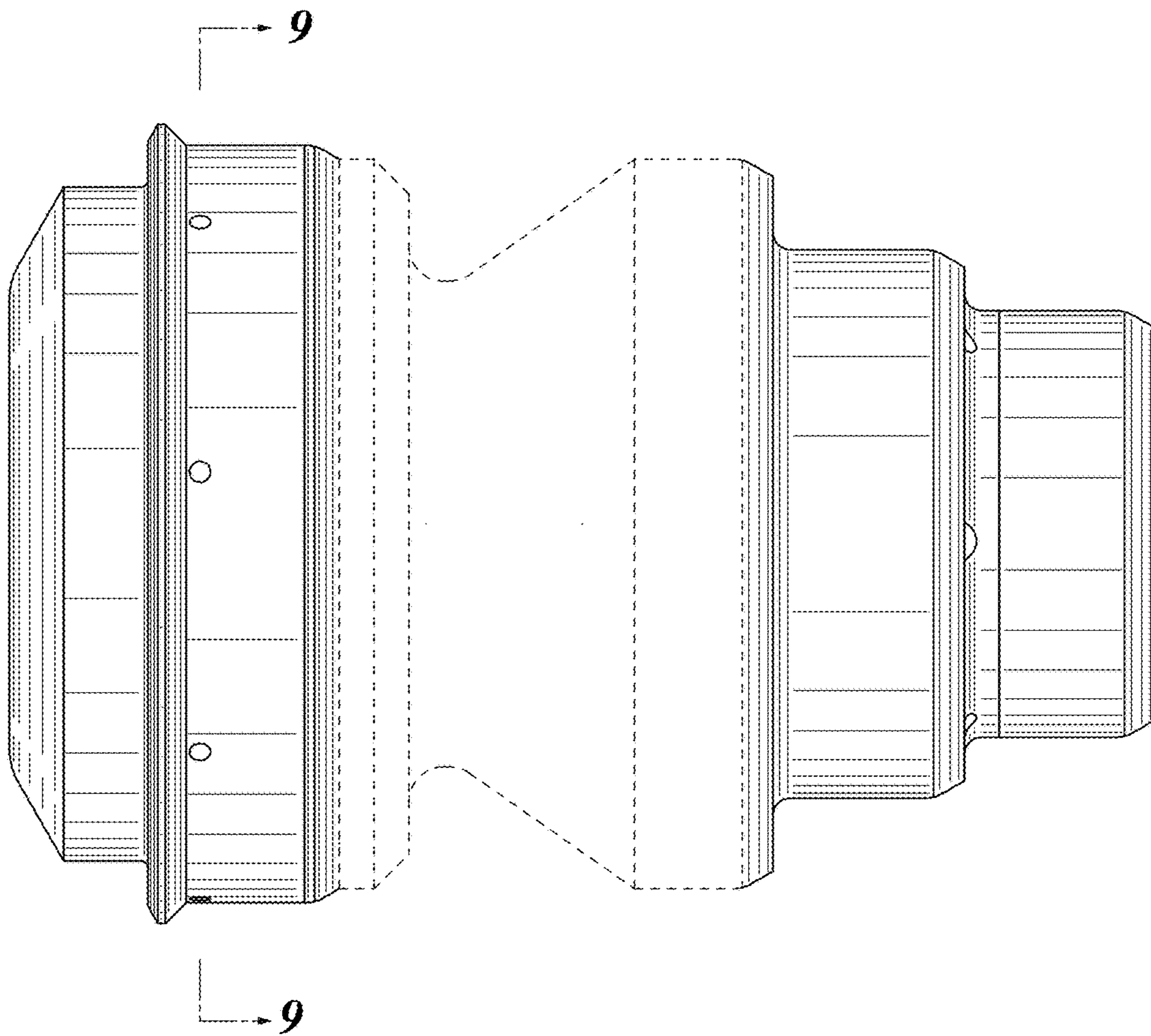


FIG. 4

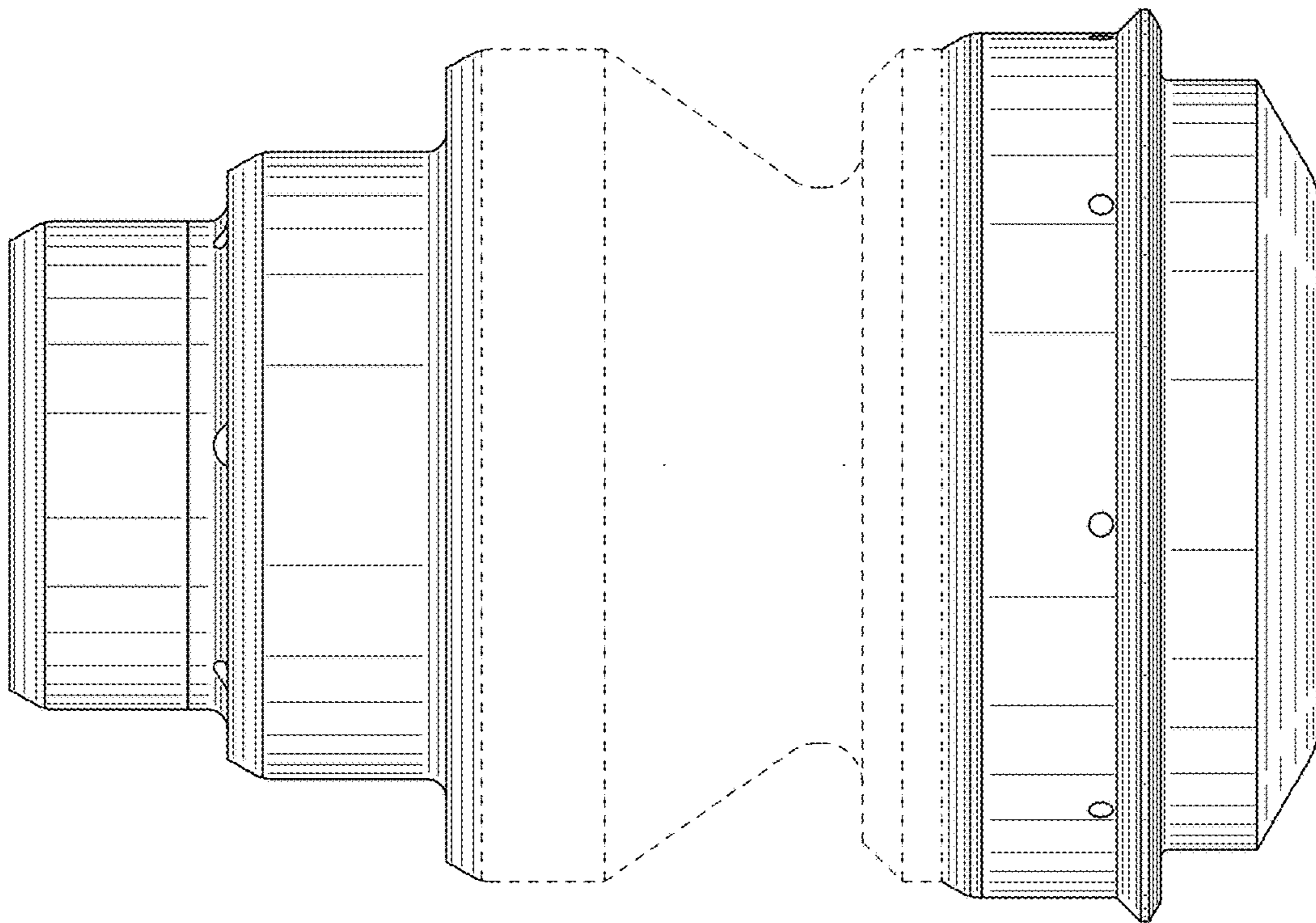


FIG. 5

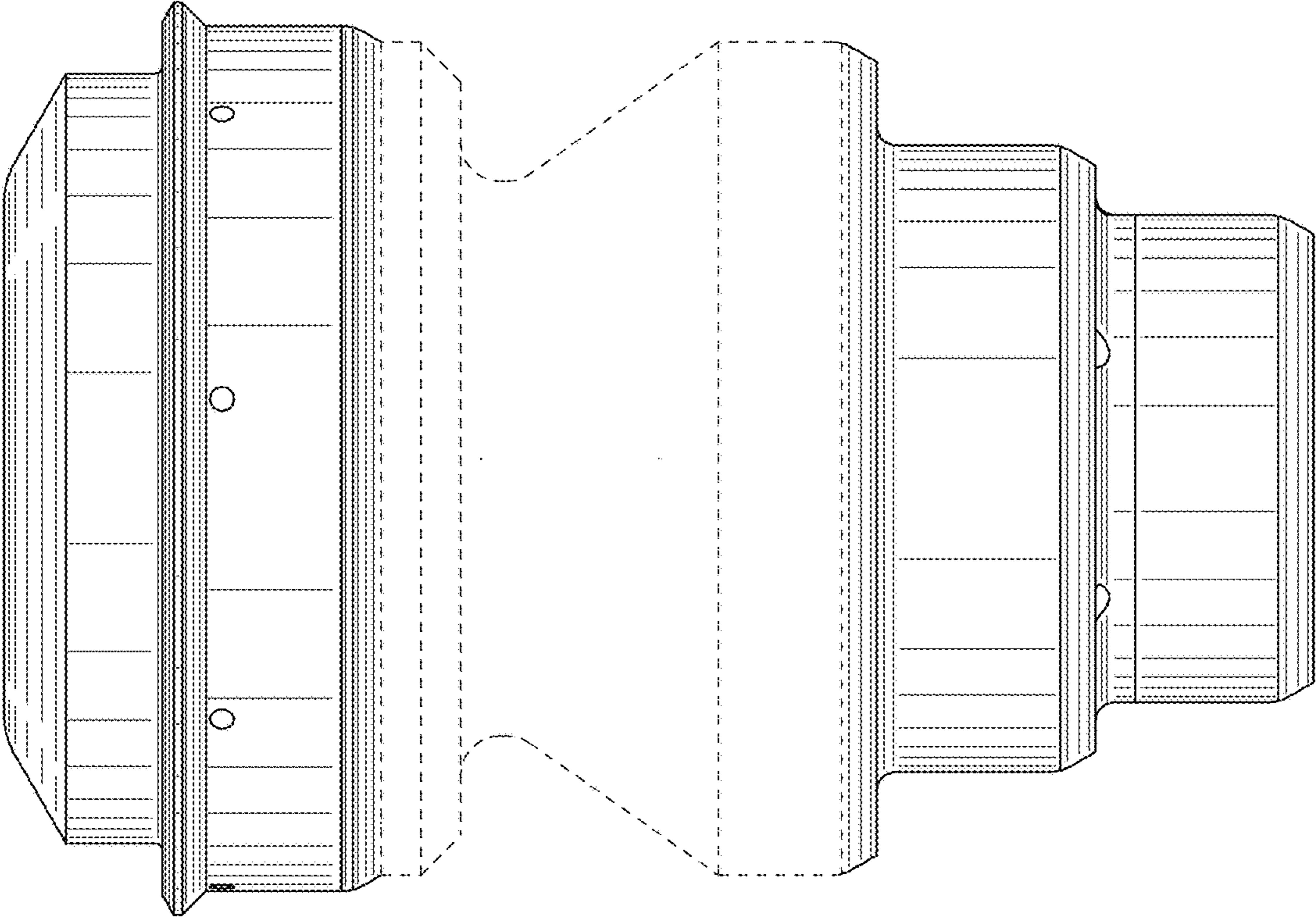


FIG. 6

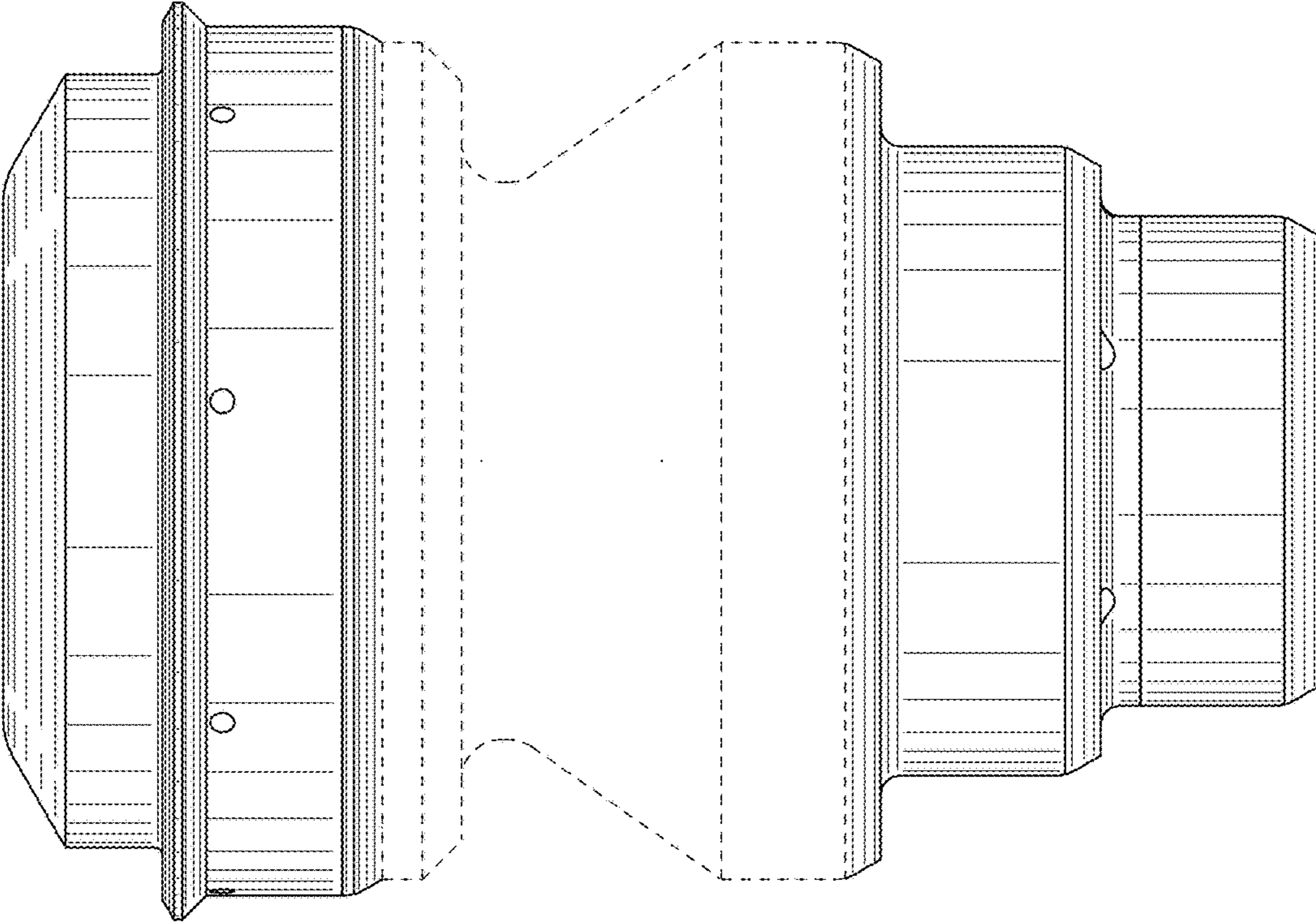


FIG. 7

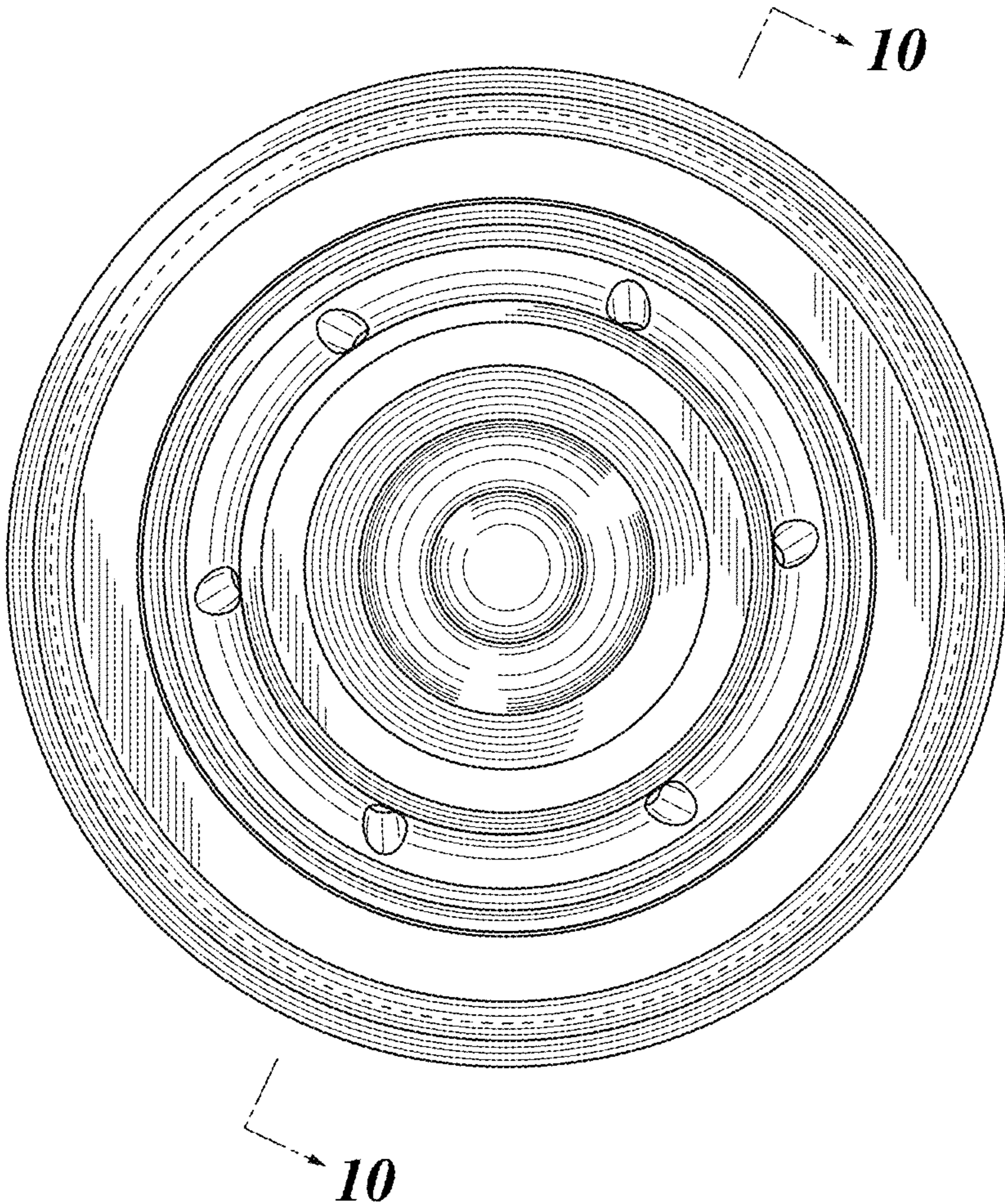


FIG. 8

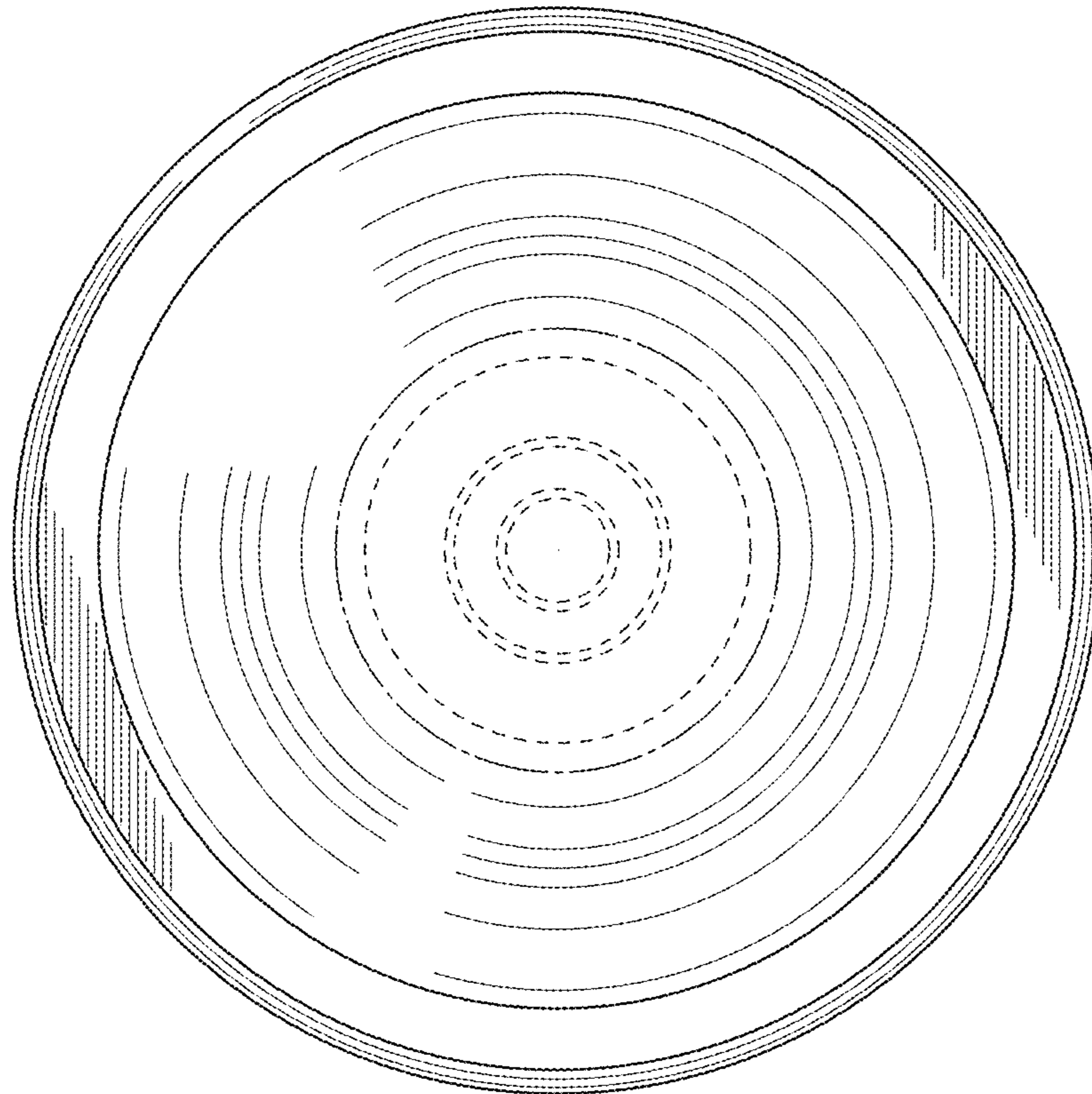


FIG. 9

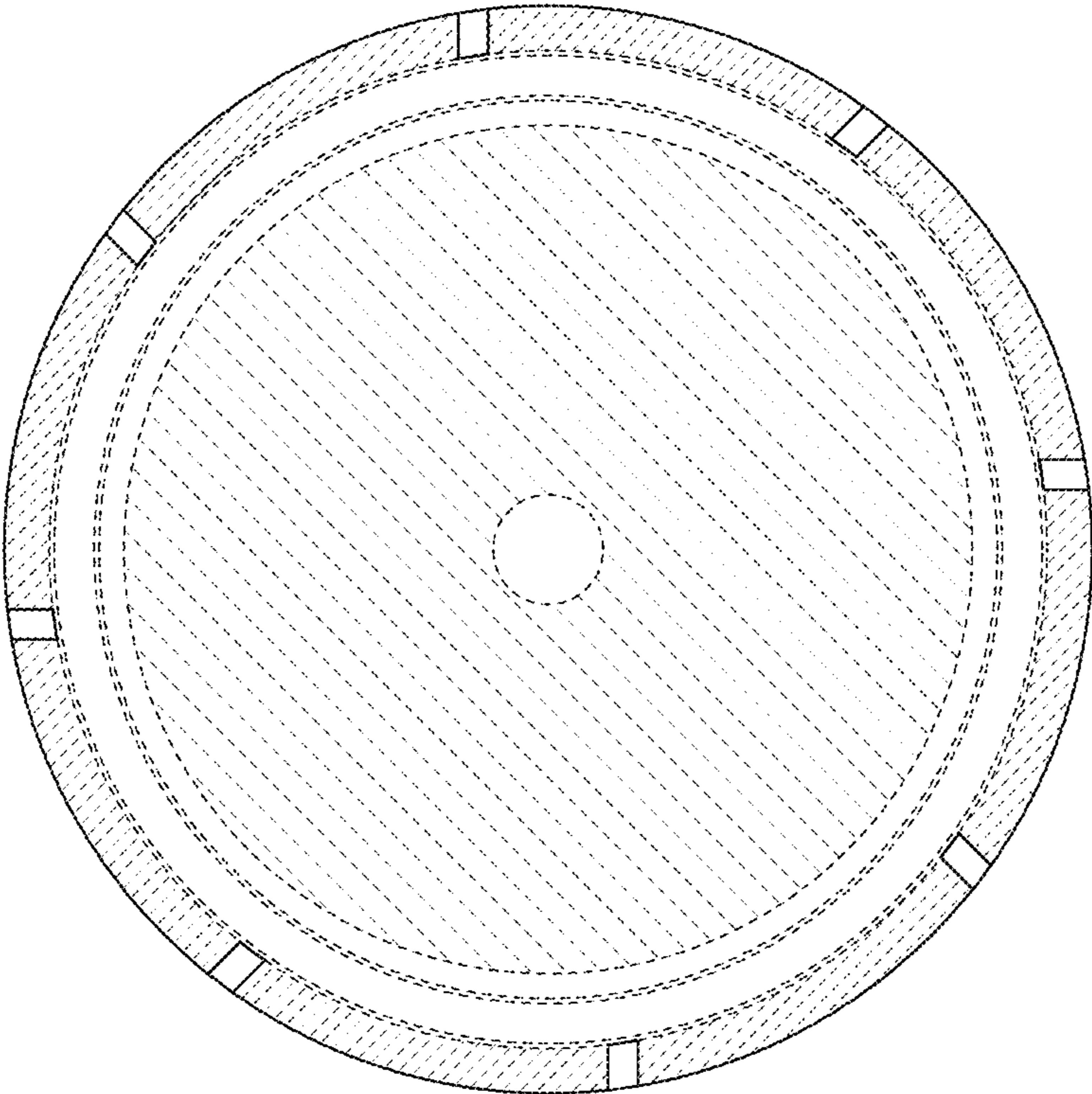


FIG. 10

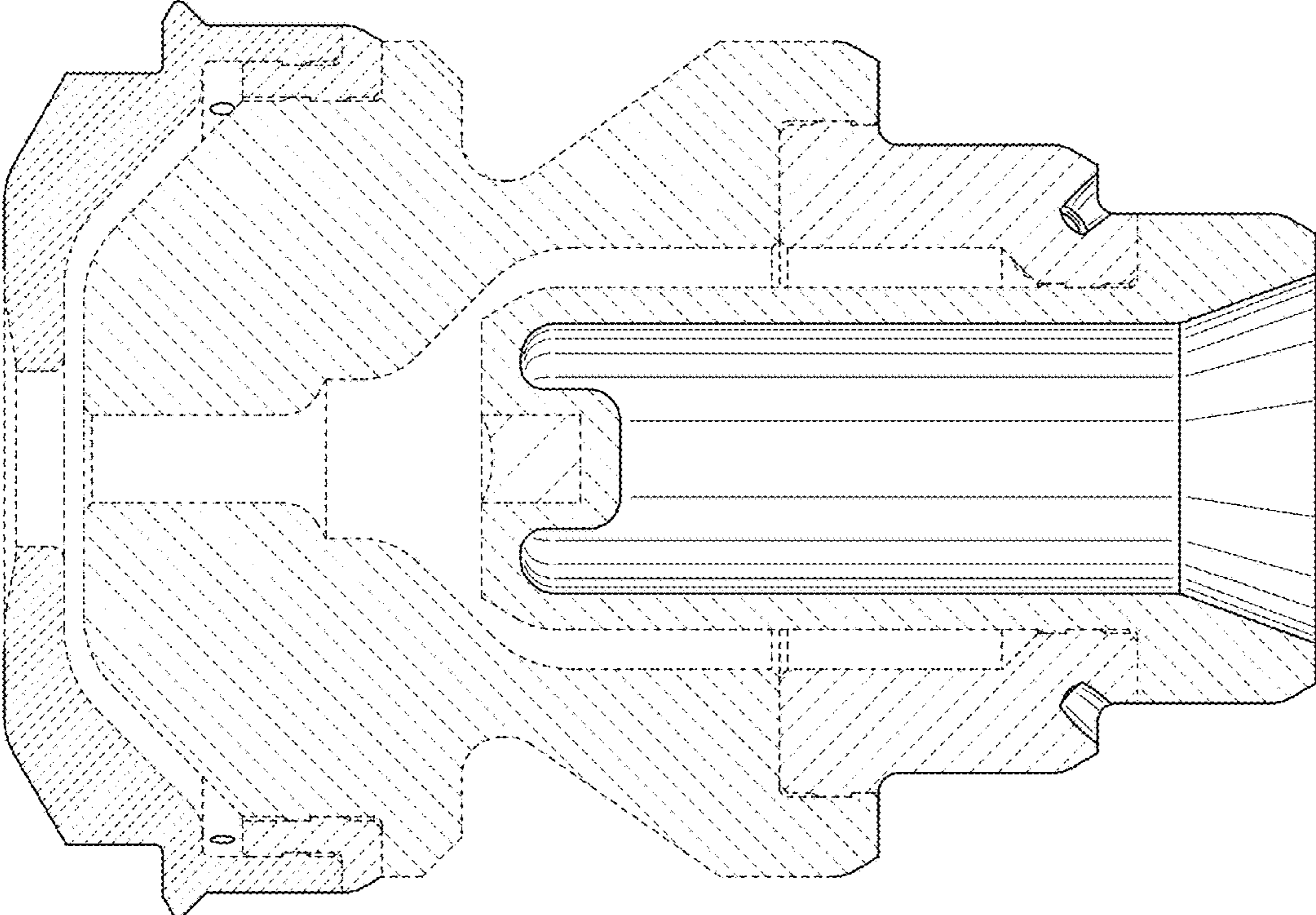


FIG. 11

