



US00D776729S

(12) **United States Design Patent**
Wu

(10) **Patent No.:** **US D776,729 S**

(45) **Date of Patent:** **** Jan. 17, 2017**

- (54) **LINEAR ACTUATOR**
- (71) Applicant: **TIMOTION TECHNOLOGY CO., LTD.**, New Taipei (TW)
- (72) Inventor: **Chou-Hsin Wu**, New Taipei (TW)
- (73) Assignee: **TIMOTION TECHNOLOGY CO., LTD.**, New Taipei (TW)
- (**) Term: **15 Years**
- (21) Appl. No.: **29/551,752**
- (22) Filed: **Jan. 15, 2016**
- (51) **LOC (10) Cl.** **15-09**
- (52) **U.S. Cl.**
USPC **D15/143**
- (58) **Field of Classification Search**
USPC D13/118, 158, 162, 184; D15/1-5, 7, 9, D15/143, 148, 149, 199
See application file for complete search history.

(56) **References Cited**

U.S. PATENT DOCUMENTS

D412,918 S *	8/1999	Nagai	D15/149
D458,284 S *	6/2002	Landerholm	D15/143
D467,950 S *	12/2002	Christensen	D15/148
6,670,734 B2 *	12/2003	Morishima	F16H 25/2015 310/80
D514,146 S *	1/2006	Haneball	D15/143
D523,880 S *	6/2006	Christensen	D15/143
D589,543 S *	3/2009	Lin	D15/143
D596,652 S *	7/2009	Roither	D15/143

D635,600 S *	4/2011	Wu	D15/143
8,015,890 B2 *	9/2011	Christensen	F16H 25/2021 192/56.62
D646,310 S *	10/2011	Lan	D15/143
D654,524 S *	2/2012	Iversen	D15/199
D656,975 S *	4/2012	Tseng	D15/143
D665,433 S *	8/2012	Beam	D15/143
2005/0264109 A1 *	12/2005	Abrahamsen	F16H 25/20 310/20

* cited by examiner

Primary Examiner — Patricia Palasik

(74) *Attorney, Agent, or Firm* — Chun-Ming Shih; HDLS IPR Services

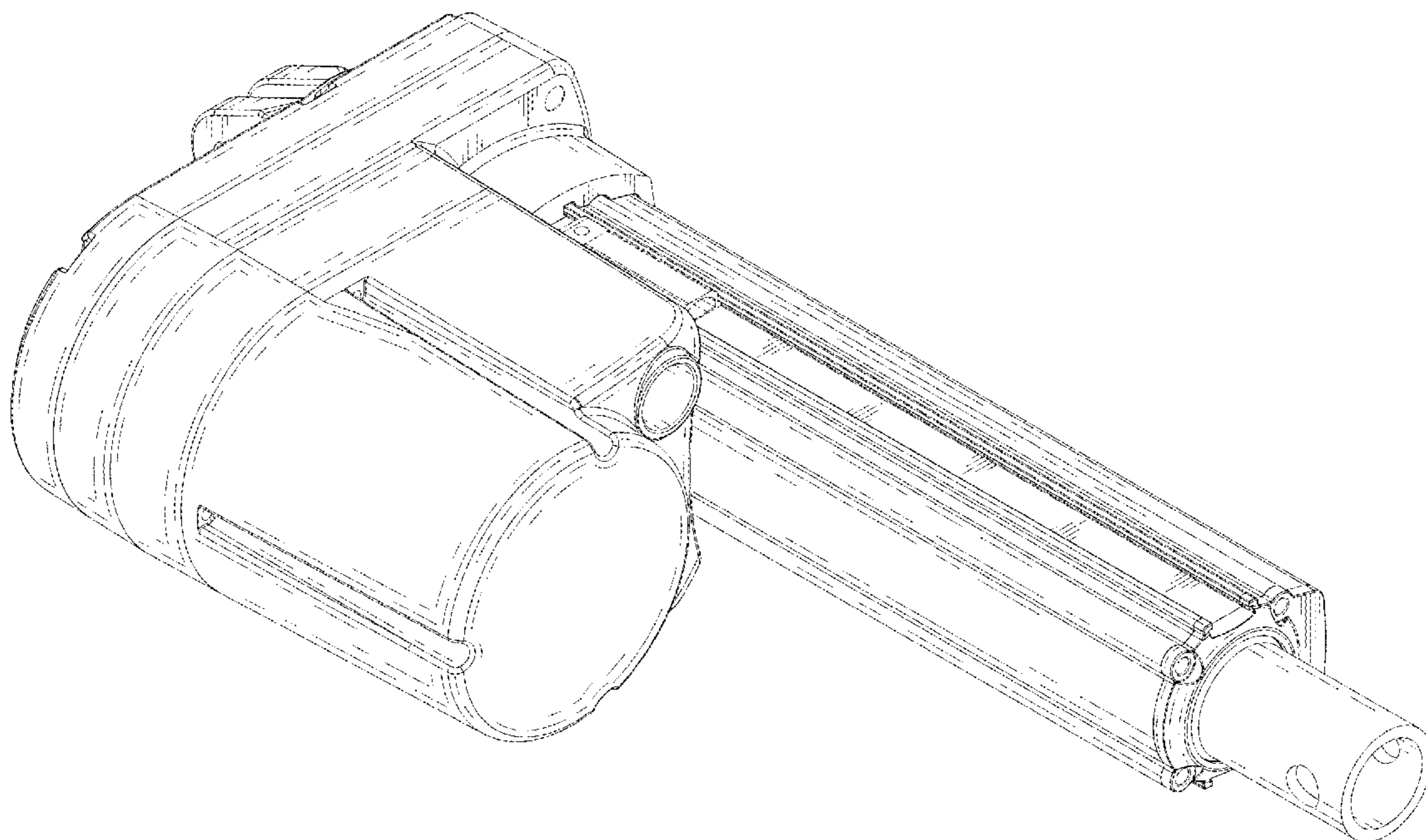
(57) **CLAIM**

The ornamental design for a linear actuator, as shown and described.

DESCRIPTION

FIG. 1 is a perspective view of a linear actuator showing my new design;
 FIG. 2 is a front view thereof;
 FIG. 3 is a rear view thereof;
 FIG. 4 is a left side view thereof;
 FIG. 5 is a right side view thereof;
 FIG. 6 is a top view thereof;
 FIG. 7 is a bottom view thereof; and
 FIG. 8 is second perspective view showing the linear actuator; and,
 FIG. 9 is third perspective view showing the linear actuator. The broken lines shown depict unclaimed environmental subject matter.

1 Claim, 9 Drawing Sheets



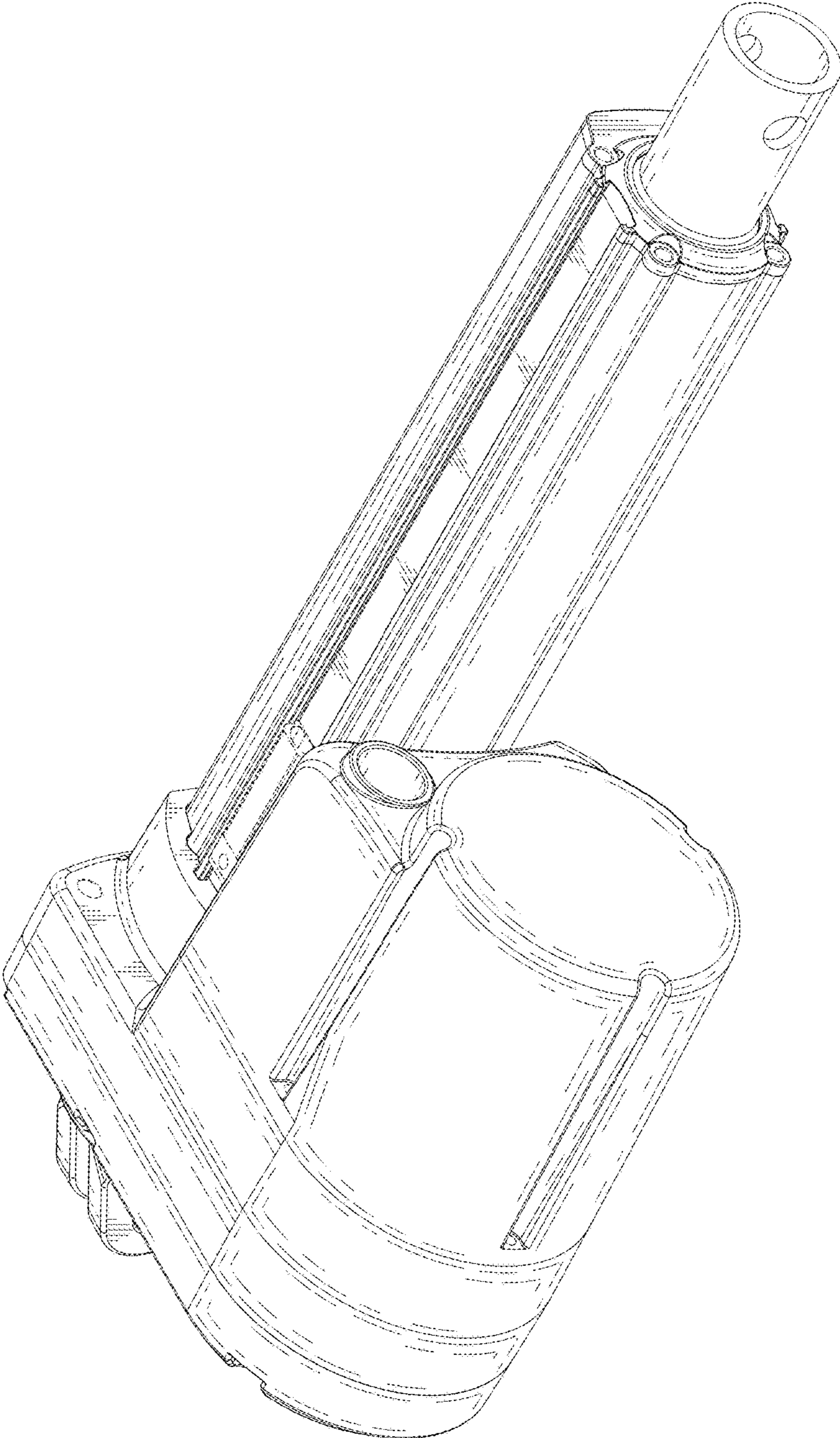


FIG.1

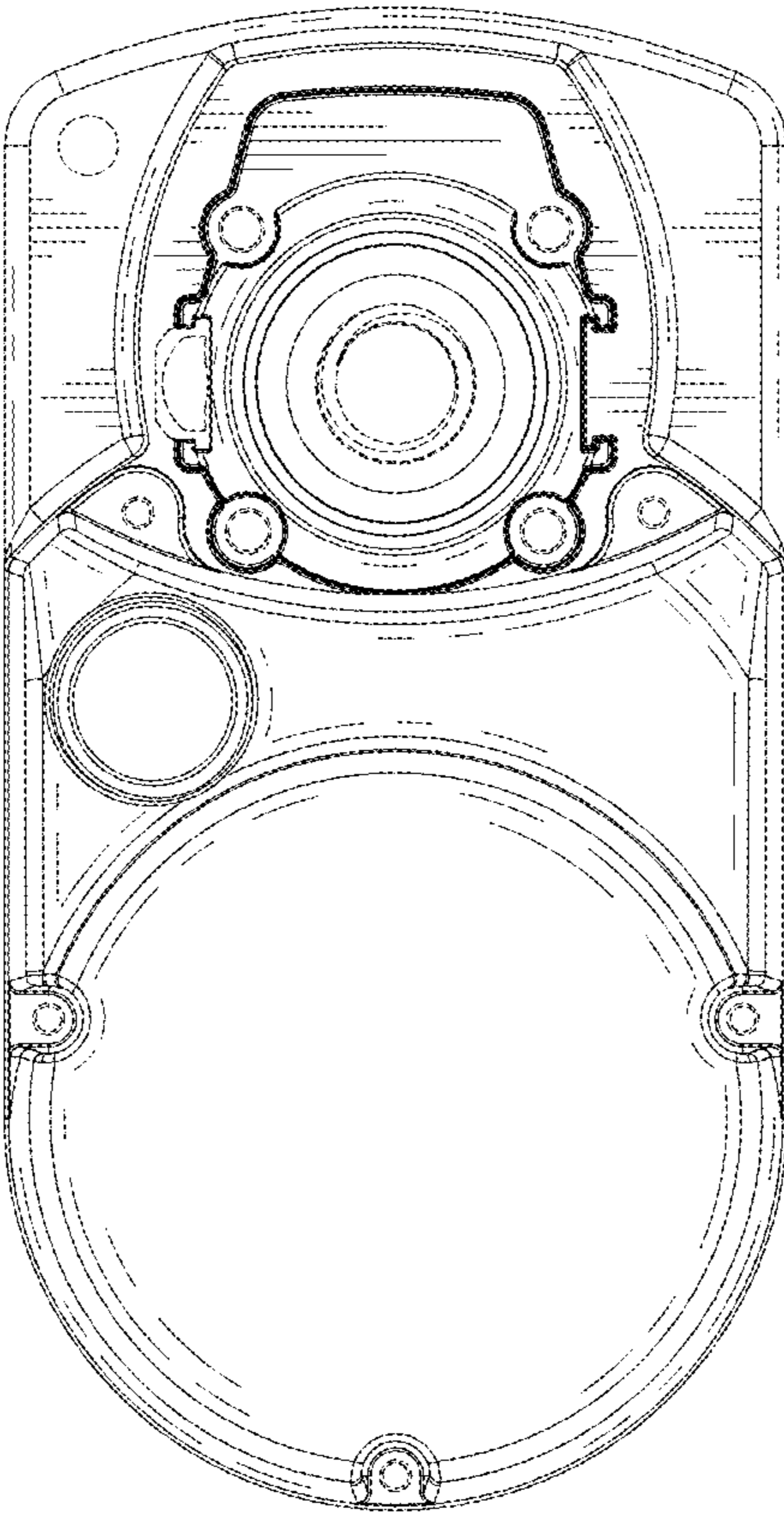


FIG.2

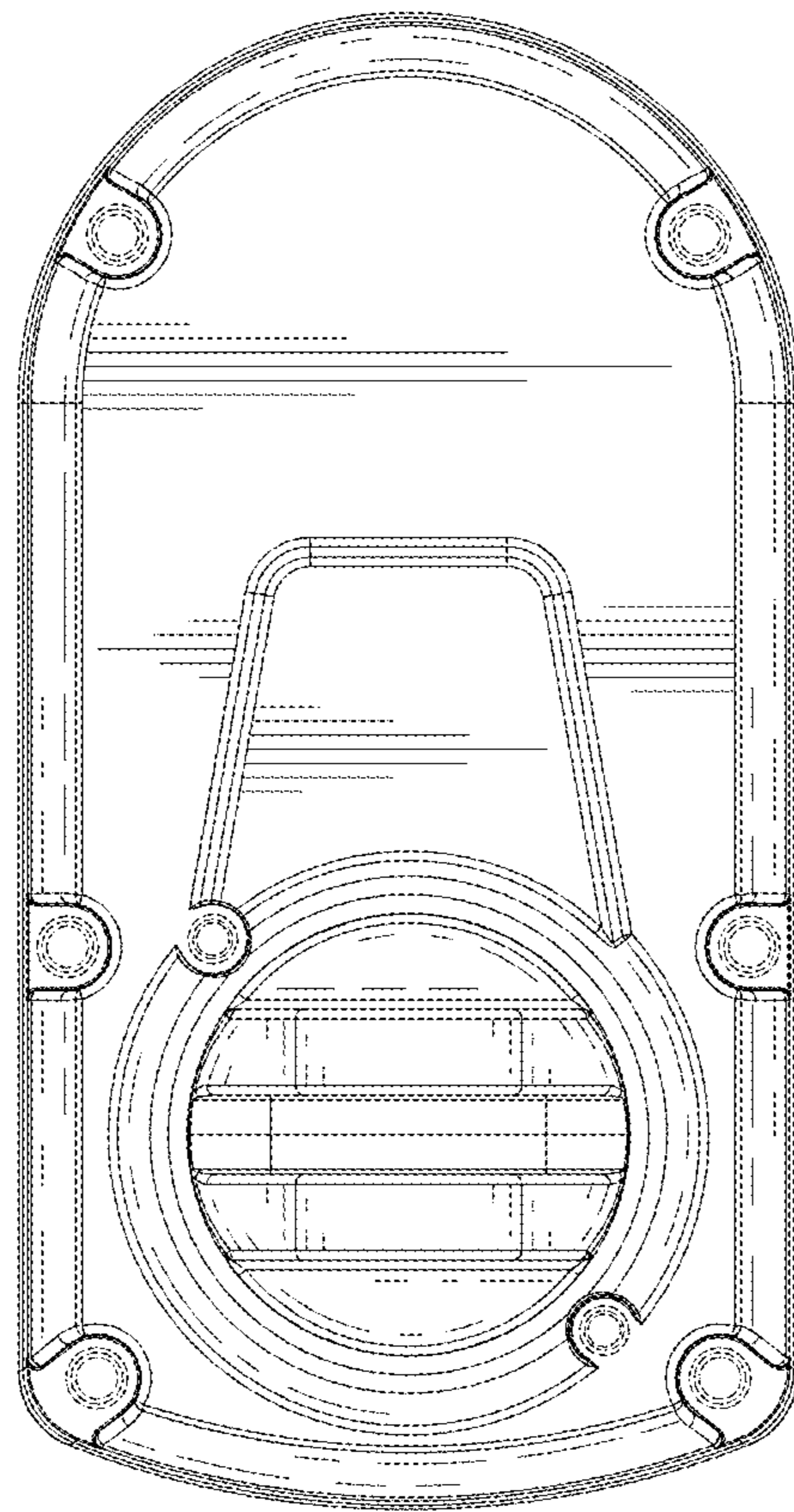


FIG. 3

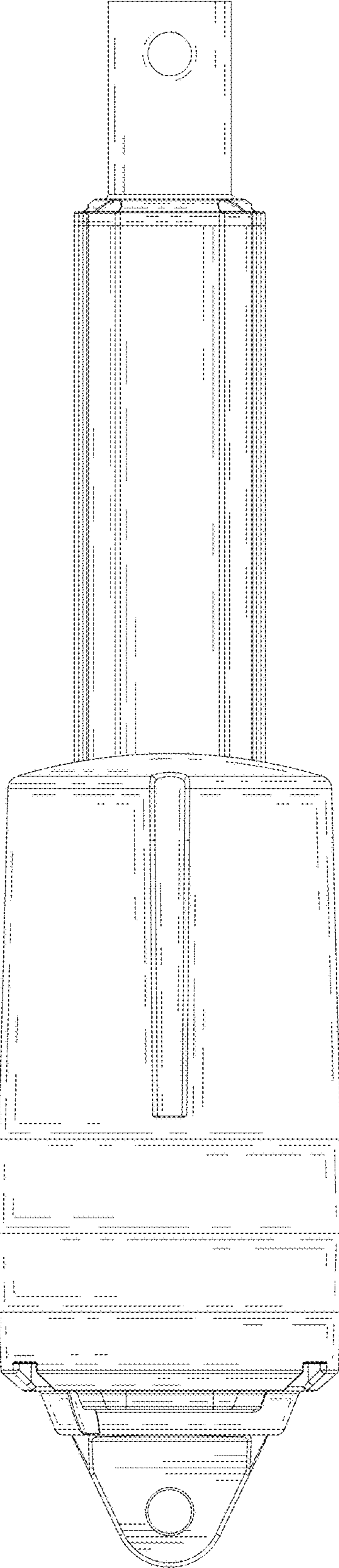


FIG.4

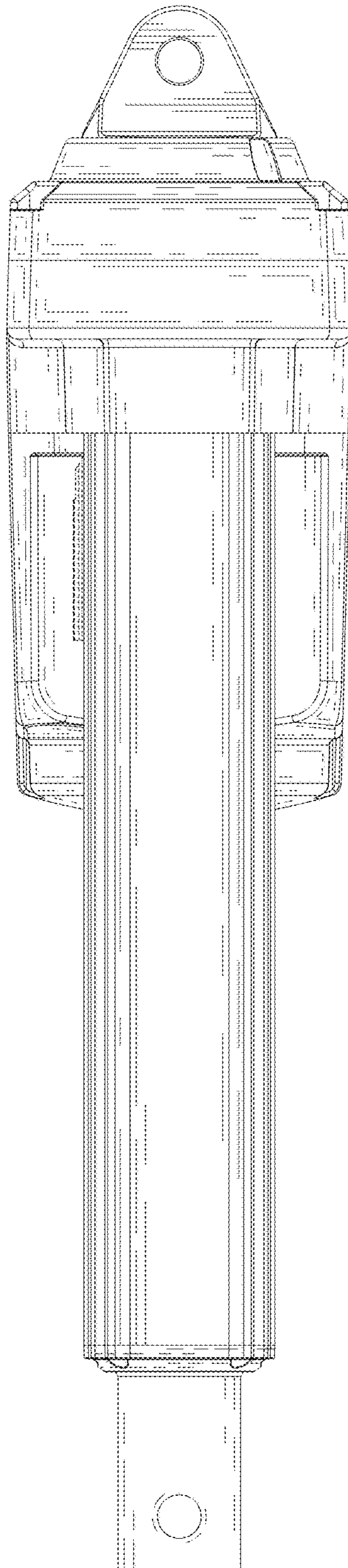


FIG.5

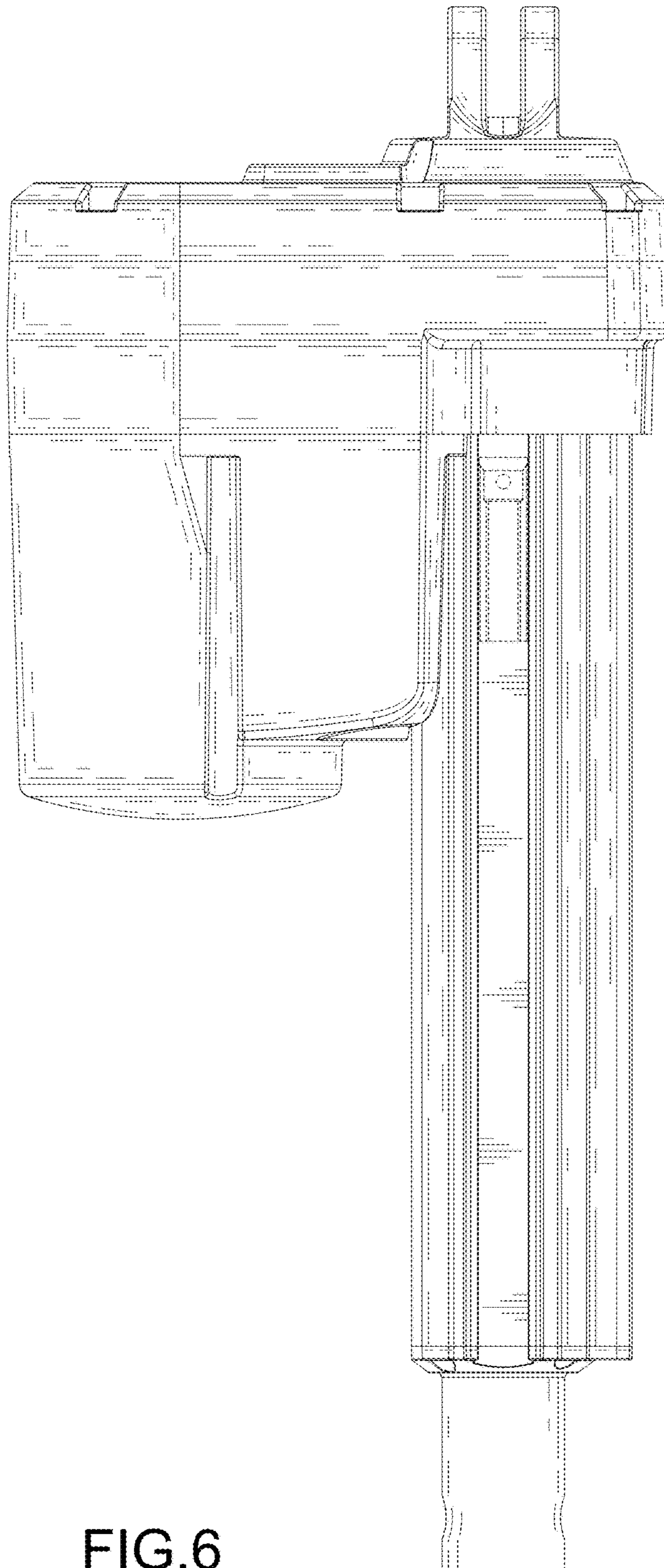


FIG. 6

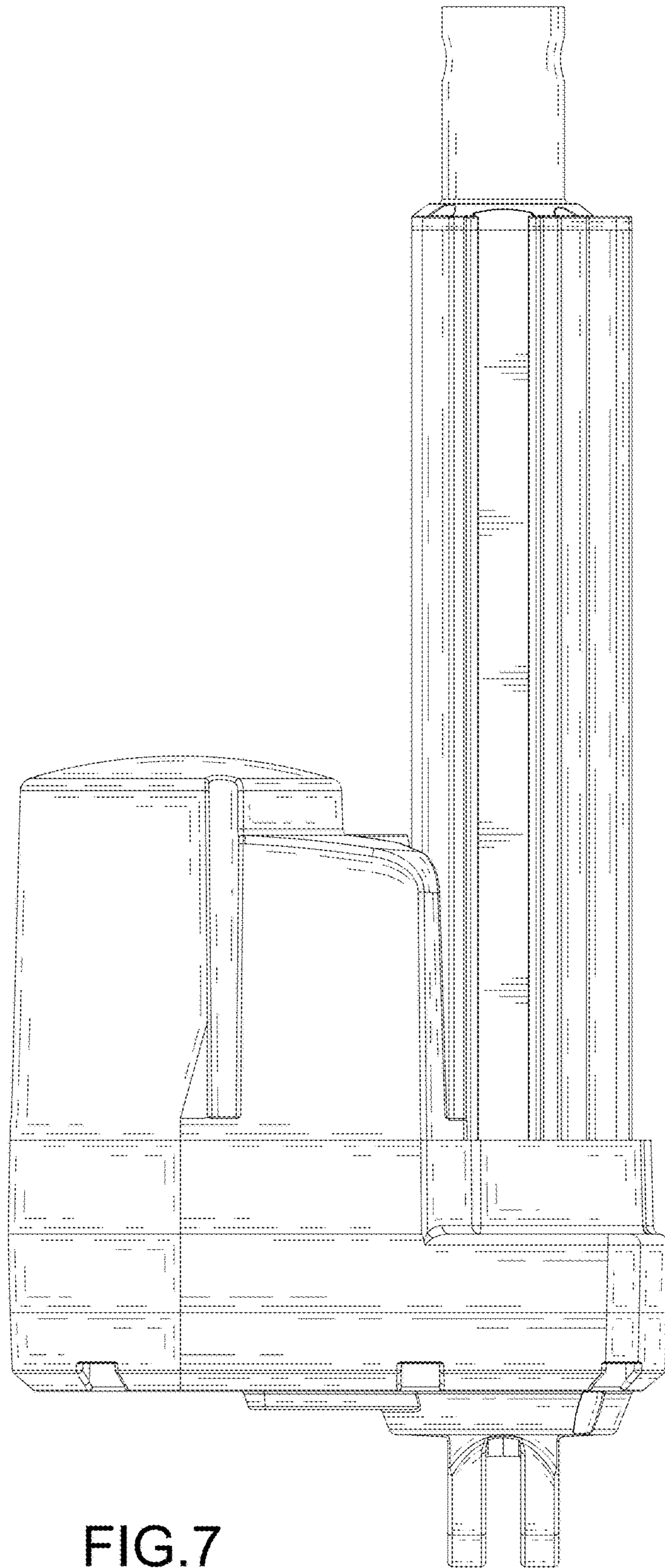


FIG. 7

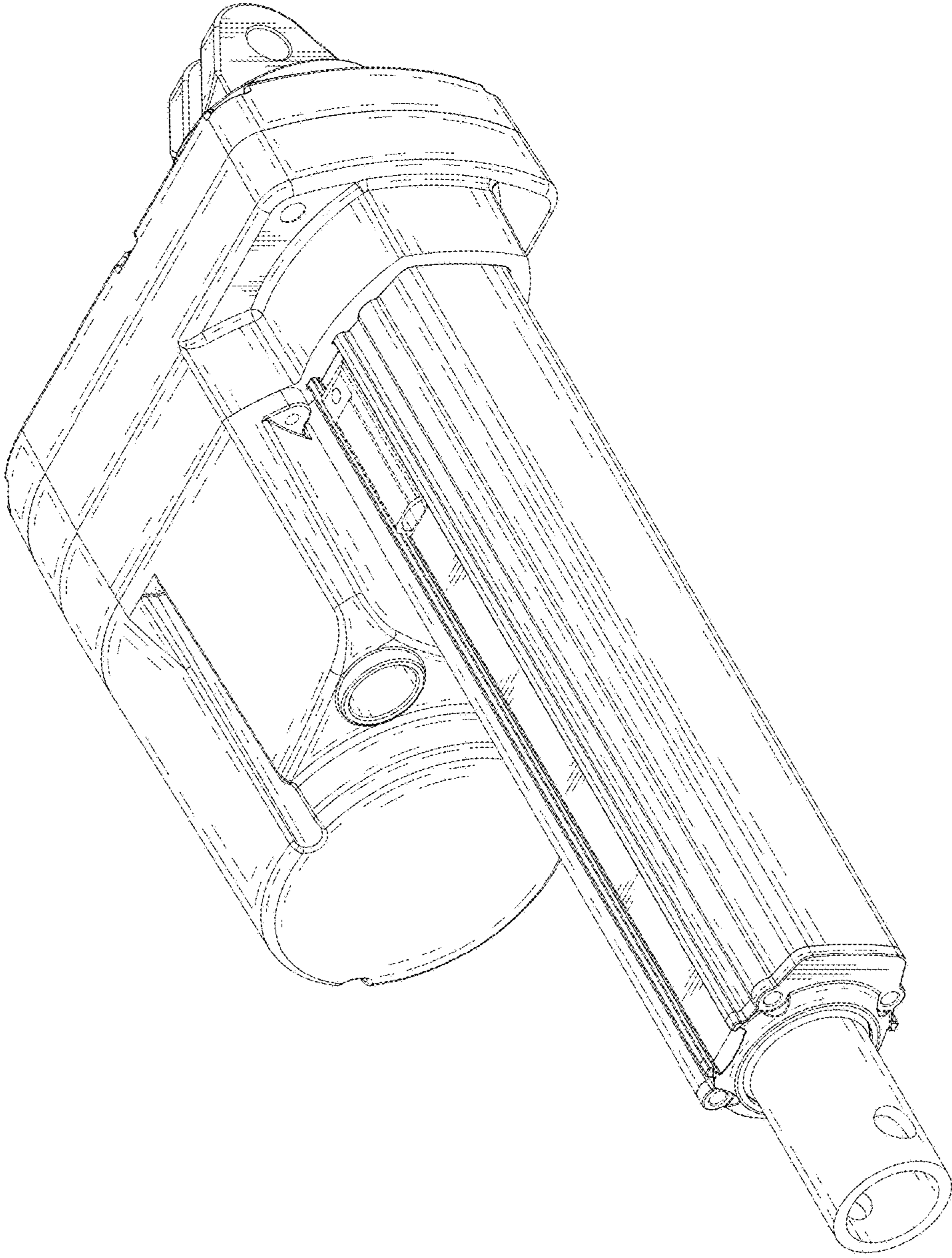


FIG. 8

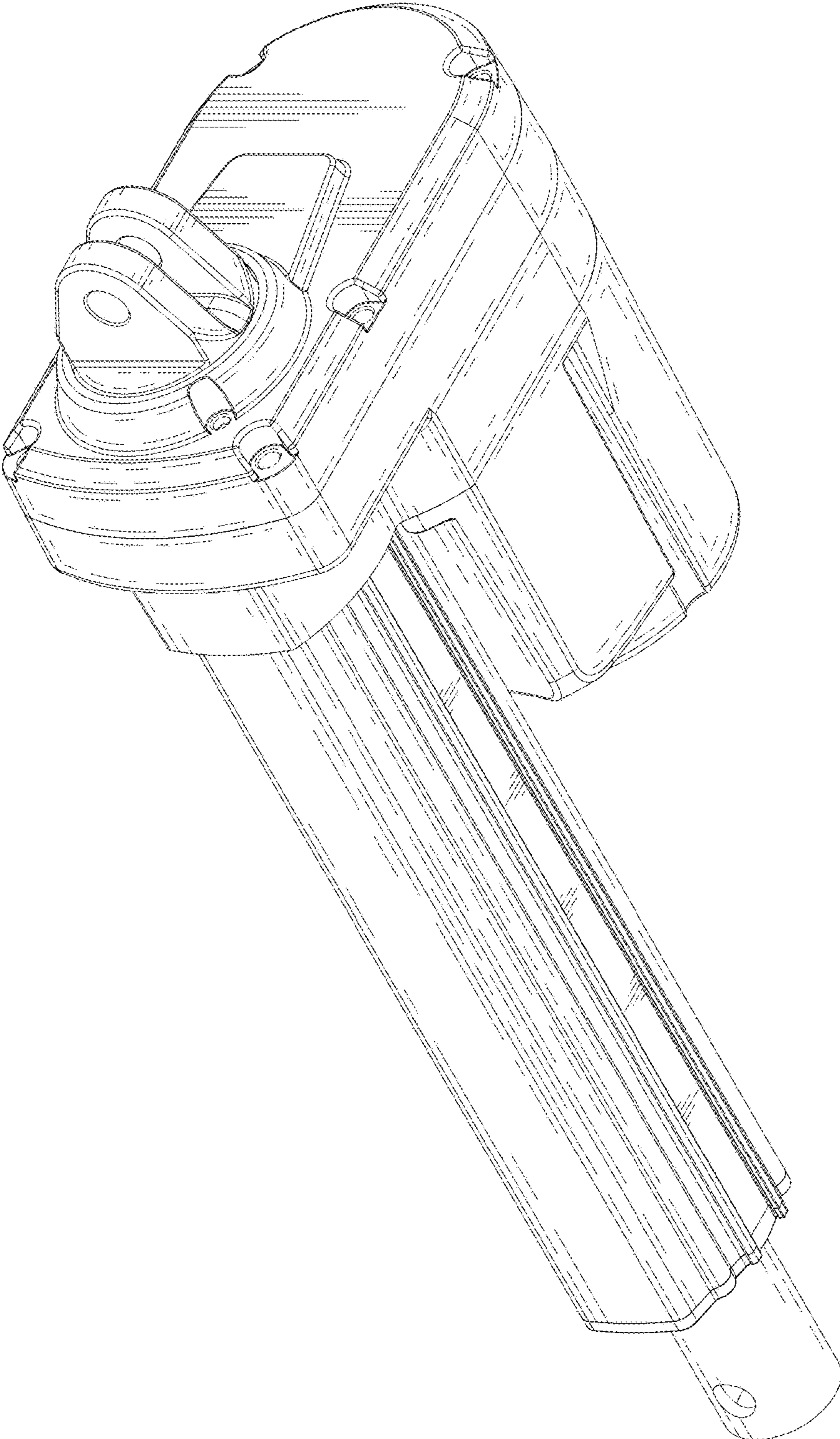


FIG.9