



US00D776727S

(12) **United States Design Patent**
Wolf

(10) **Patent No.:** **US D776,727 S**
(45) **Date of Patent:** **** Jan. 17, 2017**

(54) **3D PRINTER ENCLOSURE**

(71) Applicant: **WOLF & ASSOCIATES, INC.**, Costa Mesa, CA (US)

(72) Inventor: **Erick Packard Wolf**, Corona del Mar, CA (US)

(73) Assignee: **WOLF & ASSOCIATES, INC.**, Costa Mesa, CA (US)

(**) Term: **15 Years**

(21) Appl. No.: **29/565,645**

(22) Filed: **May 23, 2016**

Related U.S. Application Data

(62) Division of application No. 29/521,262, filed on Mar. 20, 2015, now Pat. No. Des. 760,306.

(51) **LOC (10) Cl.** **15-09**

(52) **U.S. Cl.**
USPC **D15/122; D15/135**

(58) **Field of Classification Search**
USPC D15/122, 135, 138; D18/6-7, 14, 19, 50,
D18/54.1, 54, 55, 59

See application file for complete search history.

(56) **References Cited**

U.S. PATENT DOCUMENTS

5,340,433 A 8/1994 Crump
5,503,785 A 4/1996 Crump et al.

(Continued)

FOREIGN PATENT DOCUMENTS

KR 10-2010-0004475 1/2010
WO WO 2015/057886 4/2015

OTHER PUBLICATIONS

U.S. Appl. No. 29/463,675, filed Feb. 3, 2014, Wolf et al.

(Continued)

Primary Examiner — Patricia Palasik

(74) *Attorney, Agent, or Firm* — Knobbe, Martens, Olson & Bear, LLP

(57) **CLAIM**

The ornamental design for a 3D printer enclosure, as shown and described.

DESCRIPTION

FIG. 1 is a top perspective view of a first embodiment of the design for the 3D printer enclosure;

FIG. 2 is a bottom perspective view thereof;

FIG. 3 is a front view thereof;

FIG. 4 is a back view thereof;

FIG. 5 is a left side view thereof;

FIG. 6 is a right side view thereof;

FIG. 7 is a bottom view thereof; and

FIG. 8 is a top view thereof.

FIG. 9 is a top perspective view of a second embodiment of the design for the 3D printer enclosure;

FIG. 10 is a bottom perspective view thereof;

FIG. 11 is a front view thereof;

FIG. 12 is a back view thereof;

FIG. 13 is a left side view thereof;

FIG. 14 is a right side view thereof;

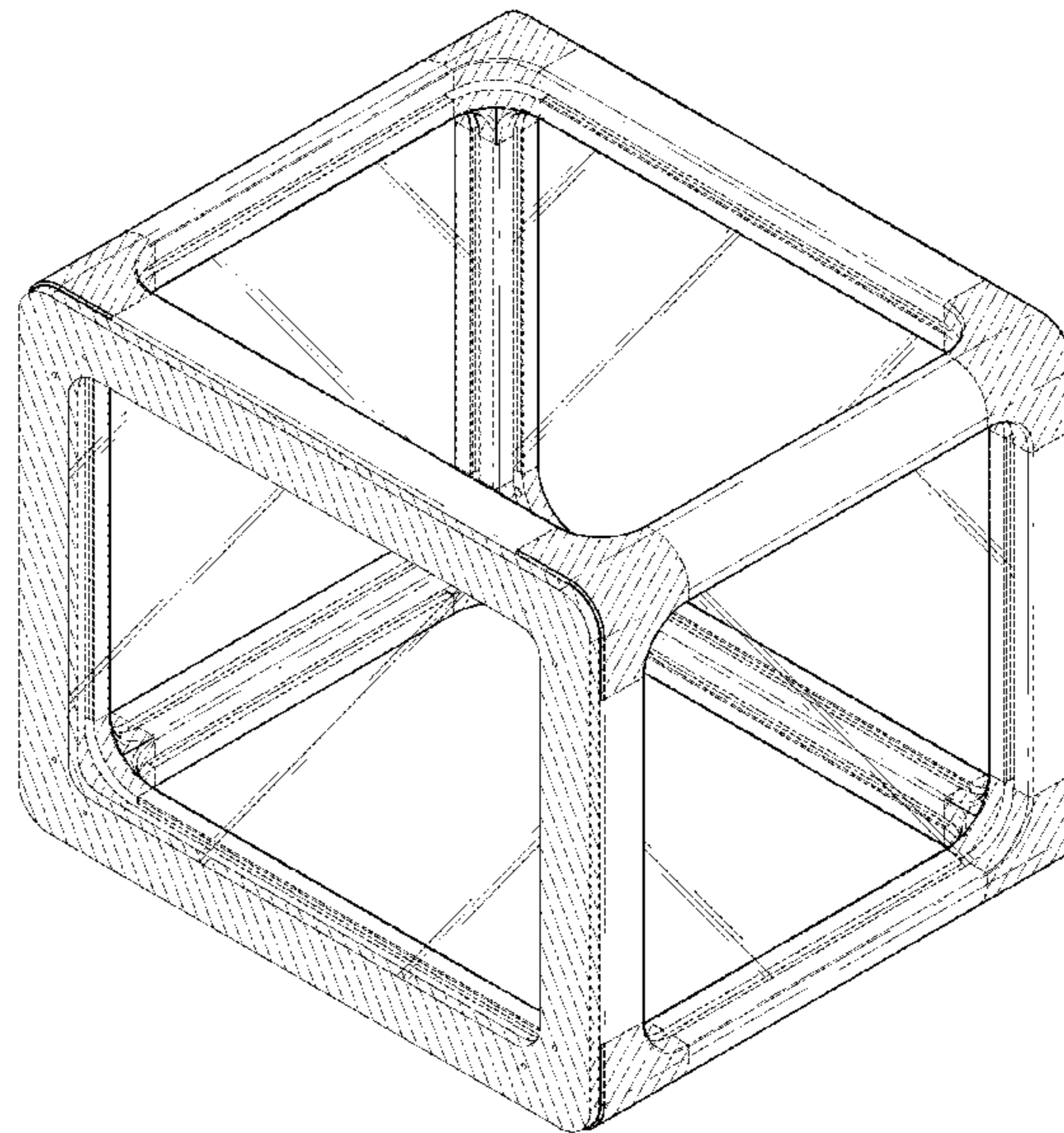
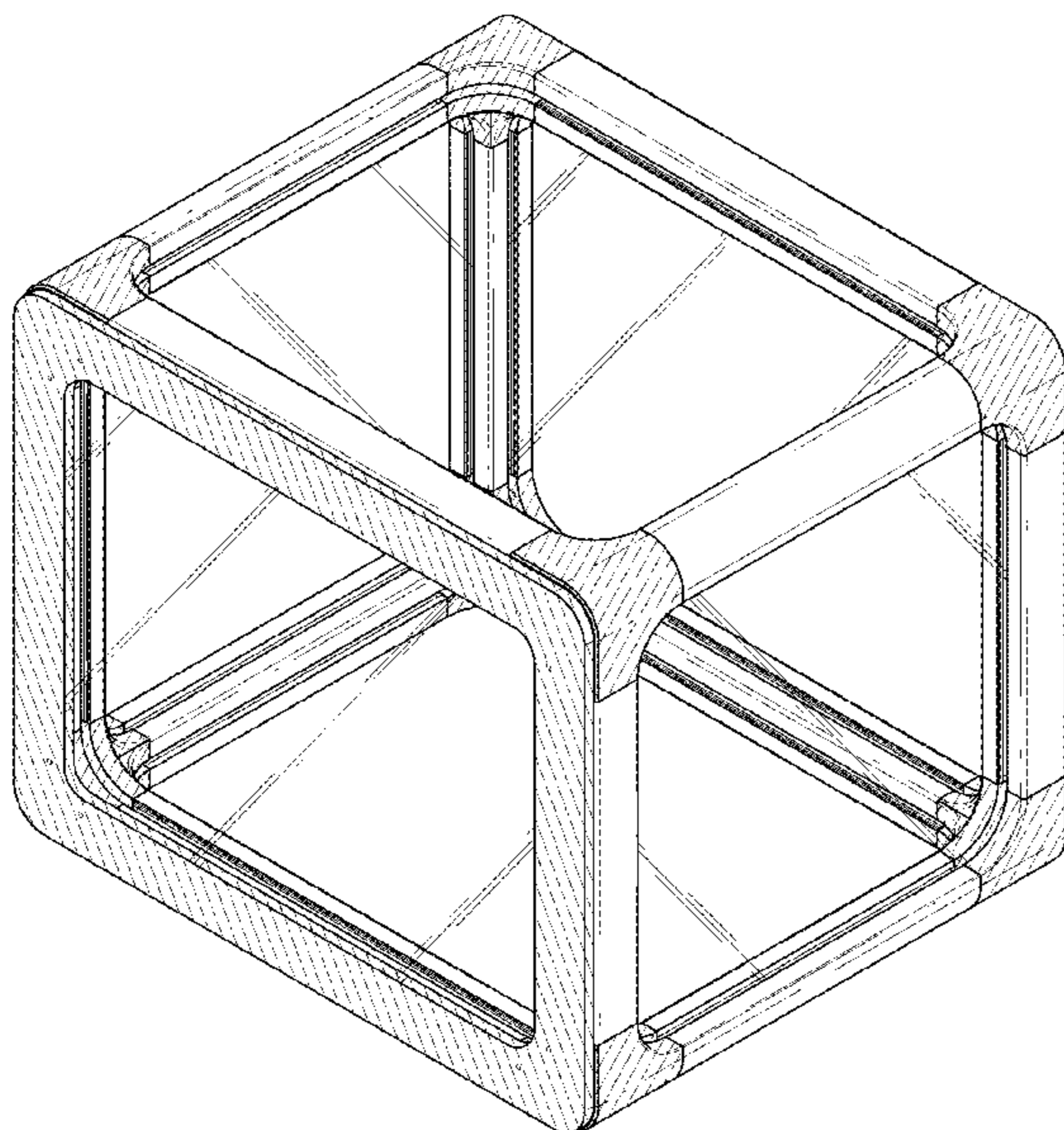
FIG. 15 is a bottom view thereof; and,

FIG. 16 is a top view thereof.

The portions shown in broken lines are for illustrative purposes only and form no part of the claimed design.

The portions shown with a hatching pattern in FIGS. 1-16 are a same material and/or a same color. The differences in the hatching patterns are for illustrative purposes to show the different portions of the 3D printer enclosure.

1 Claim, 16 Drawing Sheets



(56)

References Cited

U.S. PATENT DOCUMENTS

6,004,124 A 12/1999 Swanson et al.
 D446,826 S 8/2001 Dunn et al.
 D514,556 S 2/2006 Rising
 7,168,935 B1 1/2007 Taminger et al.
 7,297,304 B2 11/2007 Swanson et al.
 D565,648 S 4/2008 Egami
 7,384,255 B2 6/2008 LaBossiere et al.
 7,604,470 B2 10/2009 LaBossiere et al.
 7,625,200 B2 12/2009 Leavitt
 7,706,910 B2 4/2010 Hull et al.
 D616,045 S 5/2010 Tervo
 7,731,887 B2 6/2010 Hull et al.
 7,771,183 B2 8/2010 Hull et al.
 7,896,209 B2 3/2011 Batchelder et al.
 7,931,460 B2 4/2011 Scott et al.
 7,938,351 B2 5/2011 Taatjes et al.
 8,105,066 B2 1/2012 Sperry et al.
 8,105,527 B2 1/2012 Wahlstrom
 8,119,053 B1 2/2012 Bedal et al.
 8,153,182 B2 4/2012 Comb et al.
 8,153,183 B2 4/2012 Skubic et al.
 8,185,229 B2 5/2012 Davidson
 8,215,371 B2 7/2012 Batchelder
 8,222,908 B2 7/2012 Paul et al.
 8,226,395 B2 7/2012 Pax et al.
 8,252,223 B2 8/2012 Medina et al.
 8,282,380 B2 10/2012 Pax et al.
 8,285,411 B2 10/2012 Hull et al.
 8,287,794 B2 10/2012 Pax et al.
 8,287,959 B2 10/2012 Batchelder
 D677,723 S 3/2013 Buel et al.
 8,414,280 B2 4/2013 Pettis
 8,425,218 B2 4/2013 Pettis
 D681,548 S 5/2013 Zhang et al.
 8,465,689 B2 6/2013 Sperry et al.
 8,469,692 B2 6/2013 Kritchman et al.
 D688,741 S 8/2013 Joyce
 8,512,024 B2 8/2013 Pax
 8,521,320 B2 8/2013 Silverbrook
 8,529,240 B2 9/2013 Mayer
 8,562,324 B2 10/2013 Pettis
 8,609,204 B2 12/2013 Kritchman
 8,636,494 B2 1/2014 Gothait et al.
 D698,869 S 2/2014 Strzelewicz et al.
 8,642,692 B1 2/2014 Stockwell et al.
 8,647,098 B2 2/2014 Swanson et al.
 8,647,102 B2 2/2014 Swanson et al.
 8,668,859 B2 3/2014 Pettis
 D705,643 S 5/2014 Siboni et al.

8,718,522 B2 5/2014 Chillscyzn et al.
 8,747,097 B2 6/2014 Pettis
 D711,463 S 8/2014 Costabeber
 D722,108 S 2/2015 Reches et al.
 D729,309 S 5/2015 Jun et al.
 D730,979 S 6/2015 Anantha et al.
 D732,587 S 6/2015 Hsu et al.
 D732,588 S 6/2015 Lin et al.
 D733,196 S 6/2015 Wolf et al.
 D734,814 S 7/2015 Yeh et al.
 D736,838 S 8/2015 Costabeber
 D737,345 S 8/2015 Anantha et al.
 D737,346 S 8/2015 Anantha et al.
 D739,885 S 9/2015 Lee et al.
 D740,863 S 10/2015 Kemperle et al.
 D745,069 S 12/2015 Kemperle et al.
 D745,903 S 12/2015 Armani
 D760,306 S * 6/2016 Wolf D15/122
 2012/0018924 A1 1/2012 Swanson et al.
 2013/0241102 A1 9/2013 Rodgers et al.
 2013/0327917 A1 12/2013 Steiner et al.
 2013/0329257 A1 12/2013 Pettis et al.
 2013/0329258 A1 12/2013 Pettis et al.
 2014/0034214 A1 2/2014 Boyer et al.
 2014/0035182 A1 2/2014 Boyer et al.
 2014/0036034 A1 2/2014 Boyer et al.
 2014/0039659 A1 2/2014 Boyer et al.
 2014/0039662 A1 2/2014 Boyer et al.
 2014/0039663 A1 2/2014 Boyer et al.
 2014/0042657 A1 2/2014 Mulliken
 2014/0042670 A1 2/2014 Pettis et al.
 2014/0043630 A1 2/2014 Buser et al.
 2014/0044822 A1 2/2014 Mulliken
 2014/0046473 A1 2/2014 Boynton et al.
 2014/0048970 A1 2/2014 Batchelder et al.
 2014/0070445 A1 3/2014 Mayer
 2014/0070461 A1 3/2014 Pax
 2014/0074274 A1 3/2014 Douglas et al.
 2014/0117575 A1 5/2014 Kemperle et al.
 2014/0117585 A1 5/2014 Douglas et al.
 2014/0120196 A1 5/2014 Schmehl
 2014/0121813 A1 5/2014 Schmehl
 2014/0129020 A1 5/2014 Kroner et al.
 2014/0129021 A1 5/2014 Boynton et al.
 2014/0129022 A1 5/2014 Briscella et al.

OTHER PUBLICATIONS

U.S. Appl. No. 29/521,262, filed Mar. 20, 2015, Wolf.
 International Search Report and Written Opinion dated Jan. 14, 2015 issued in PCT/US2014/060762, filed Oct. 15, 2014, 9 pages.

* cited by examiner

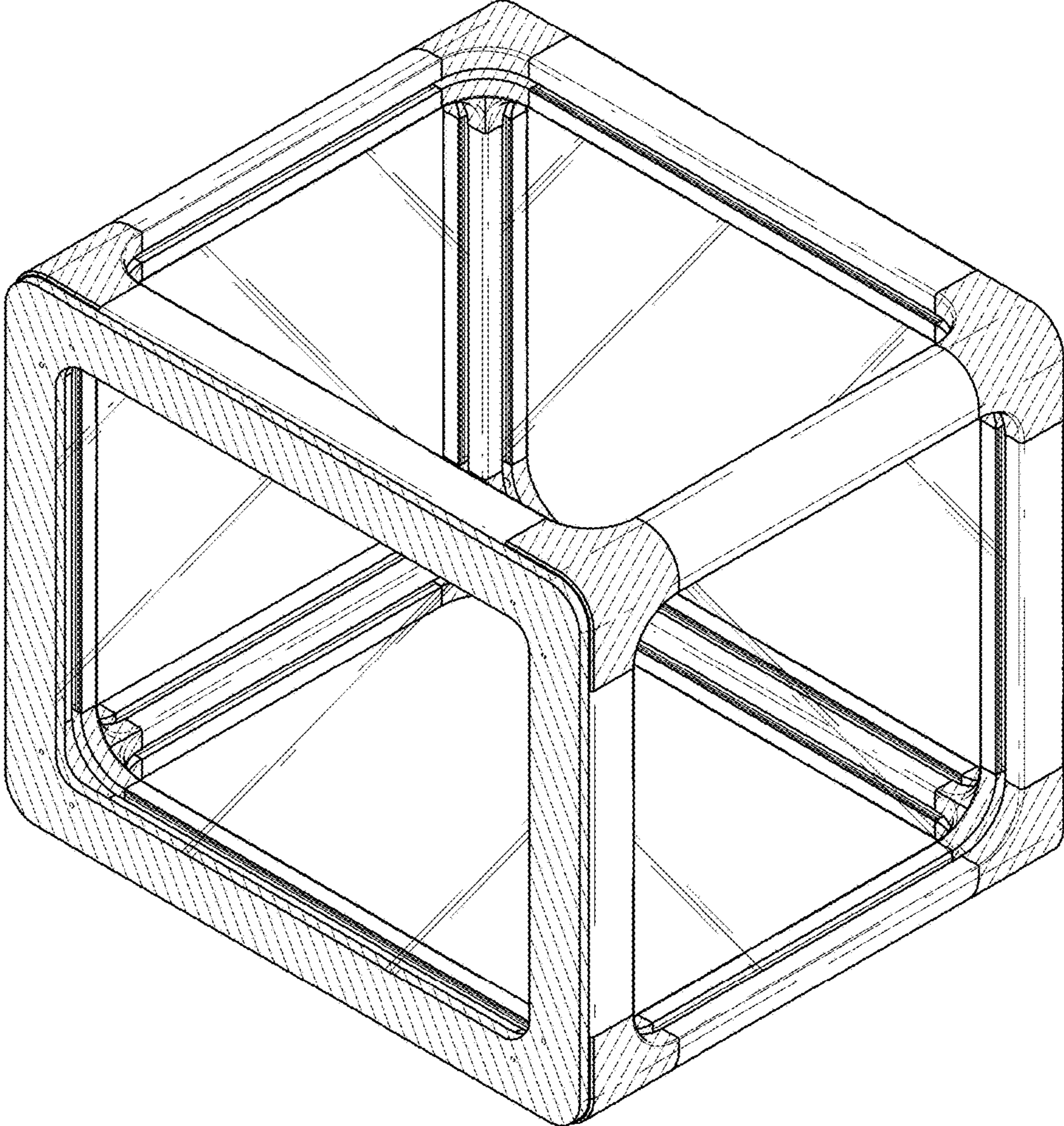


FIG. 1

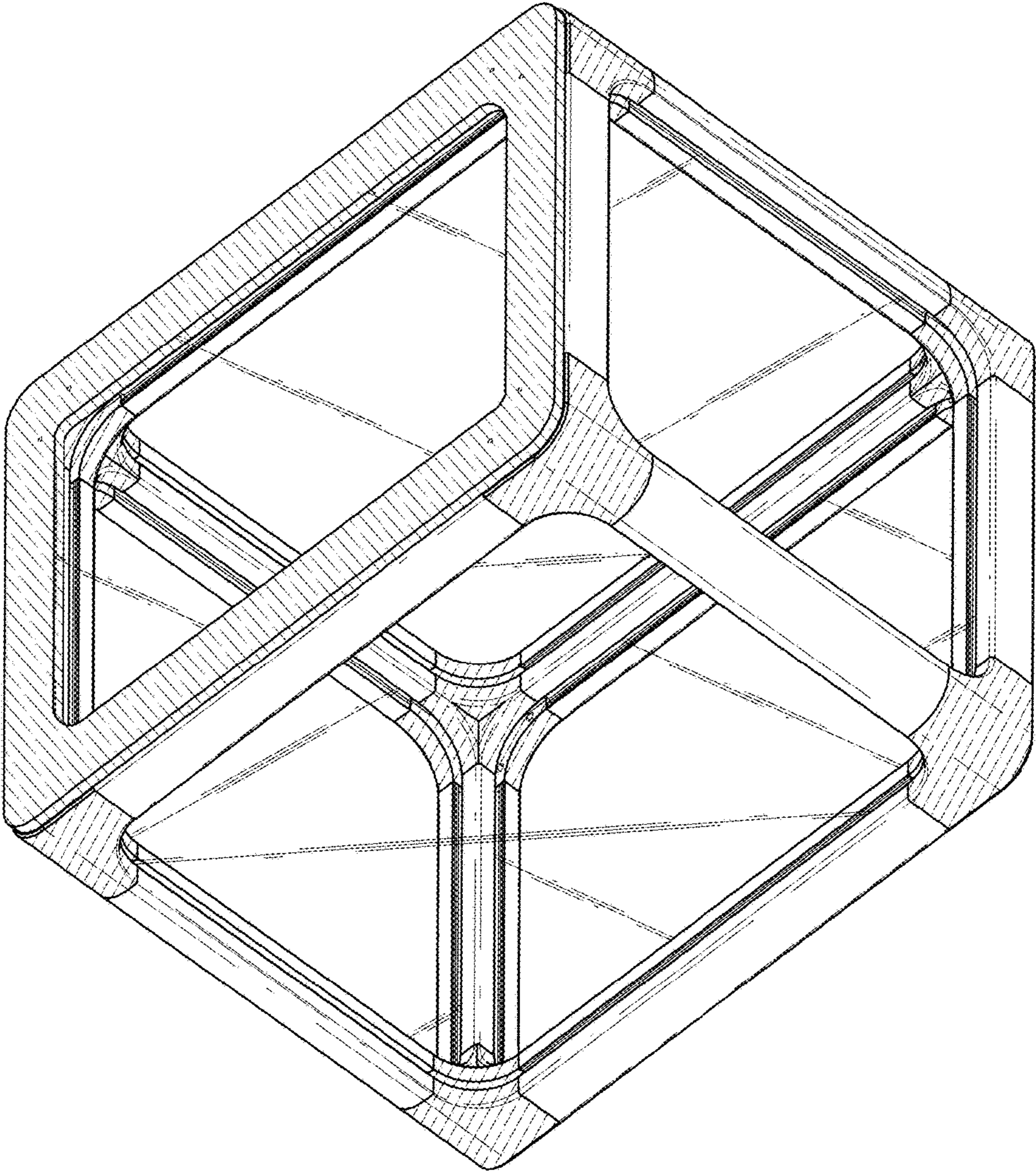


FIG. 2

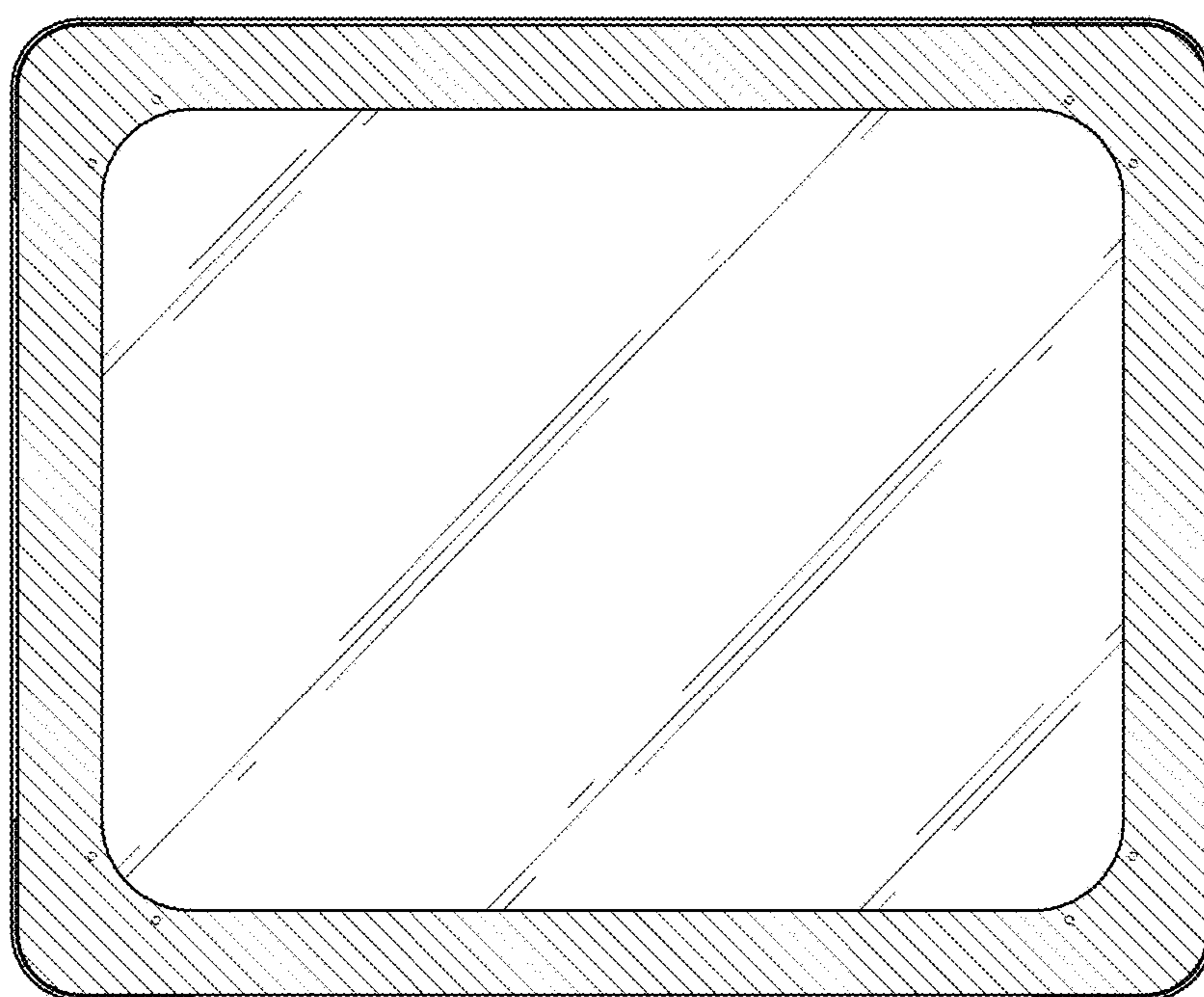


FIG. 3

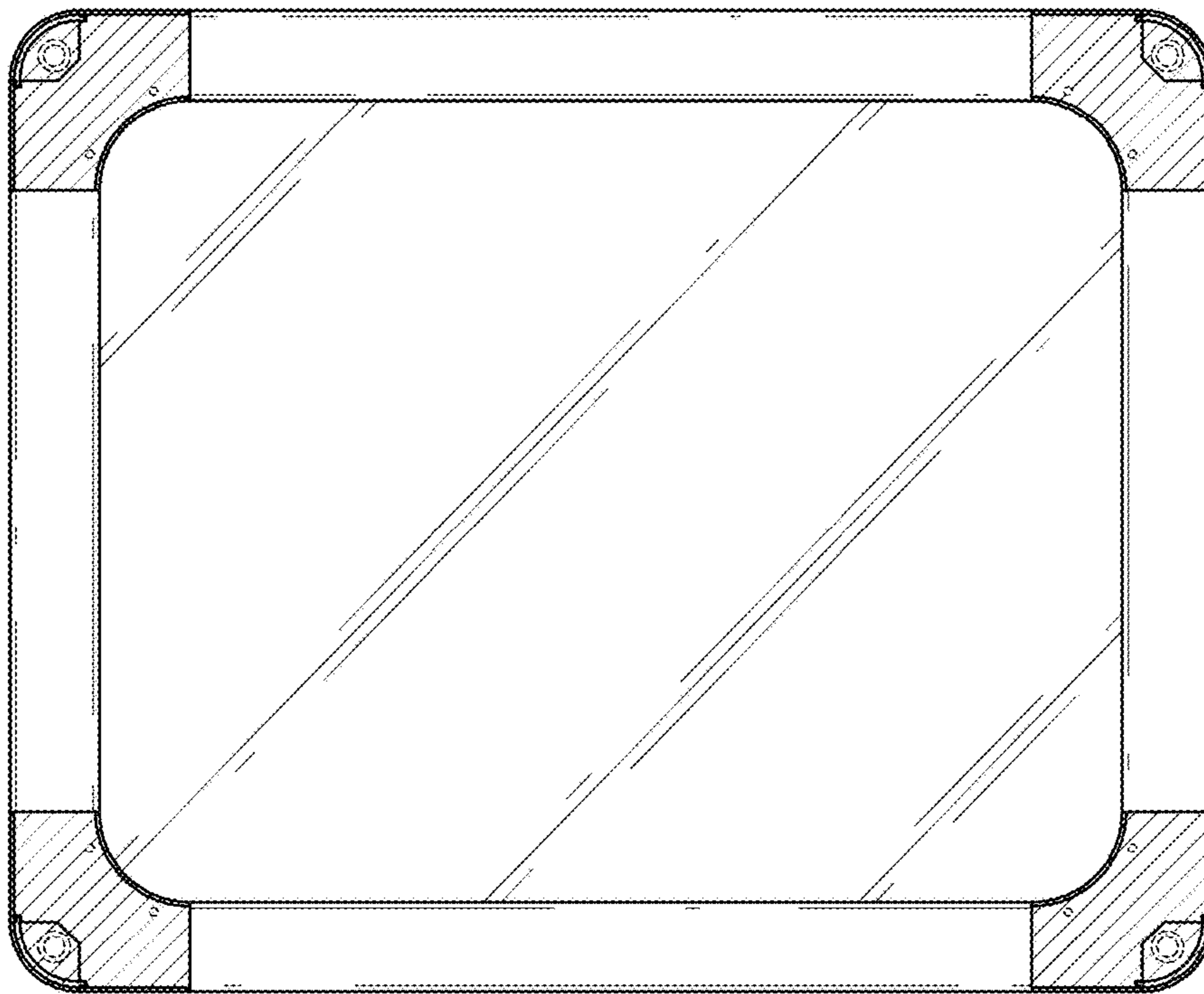


FIG. 4

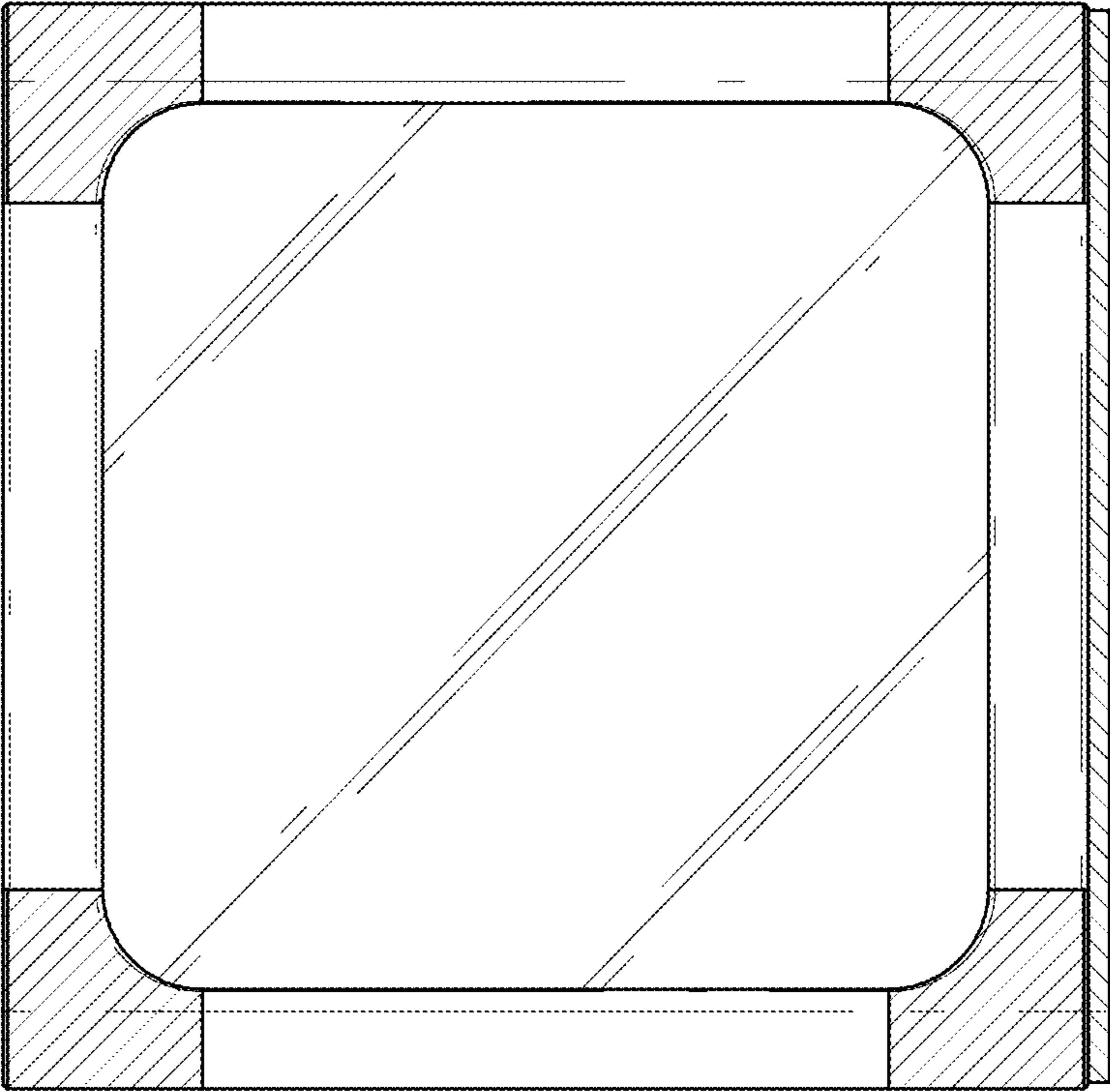


FIG. 5

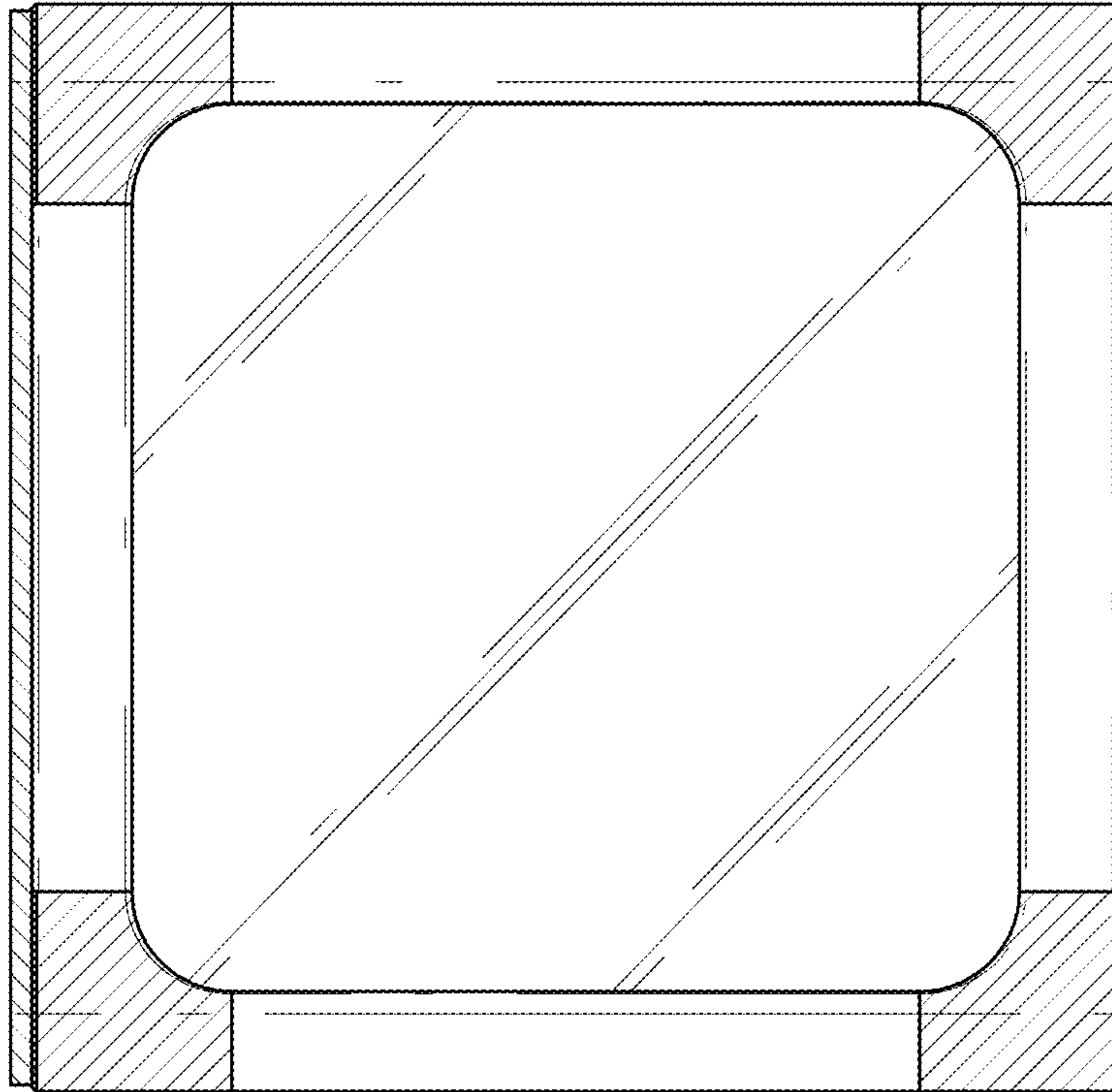


FIG. 6

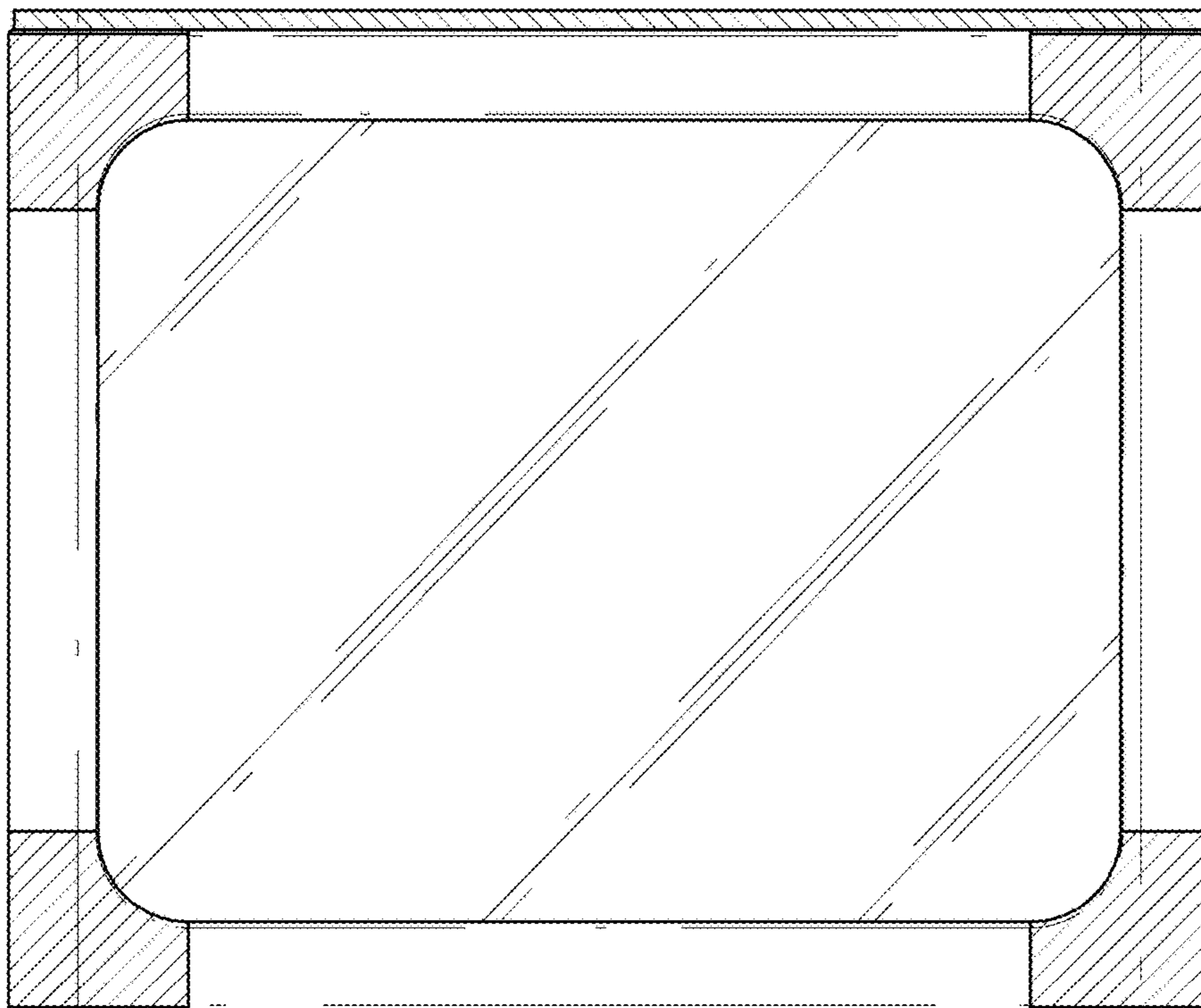


FIG. 7

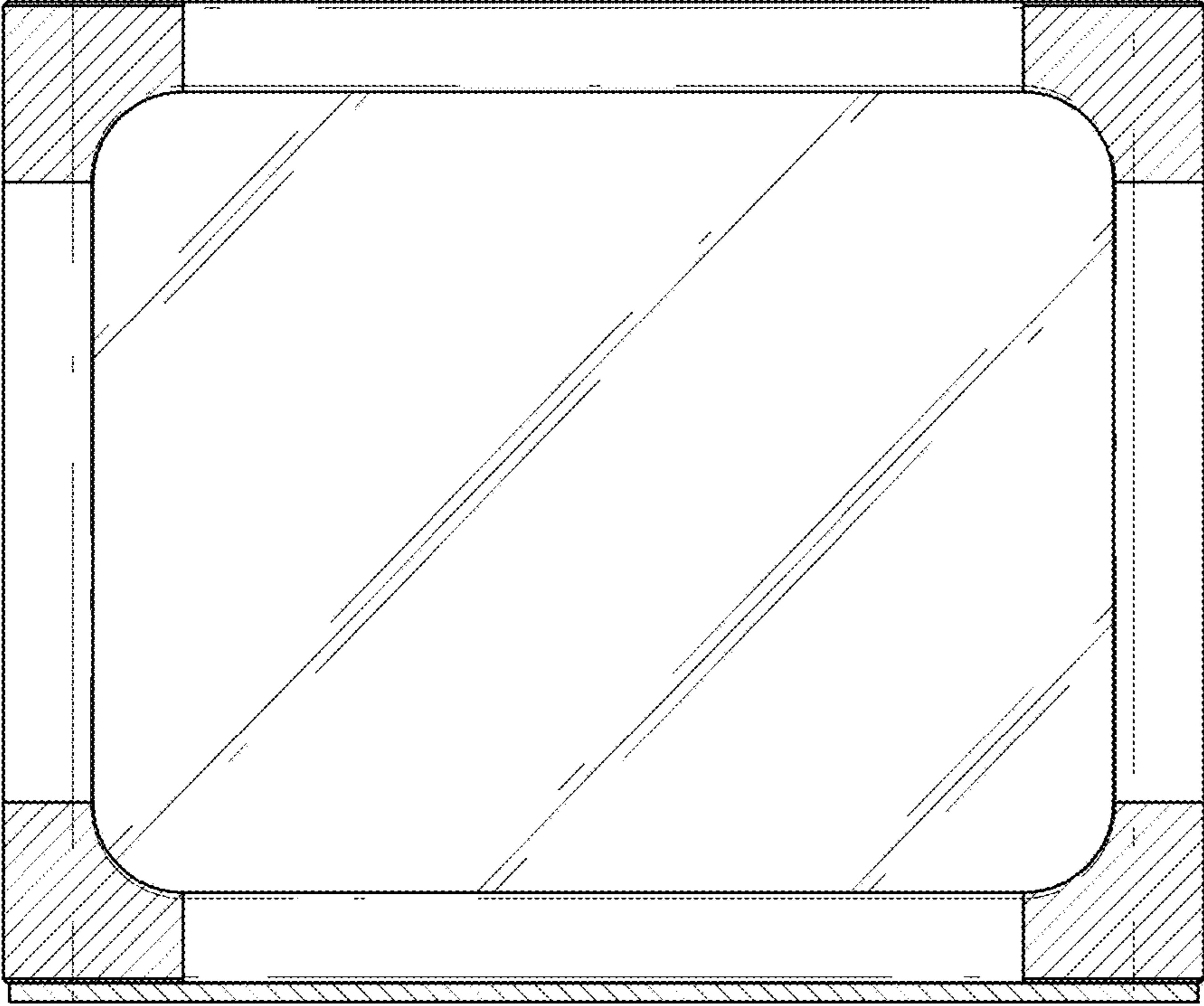


FIG. 8

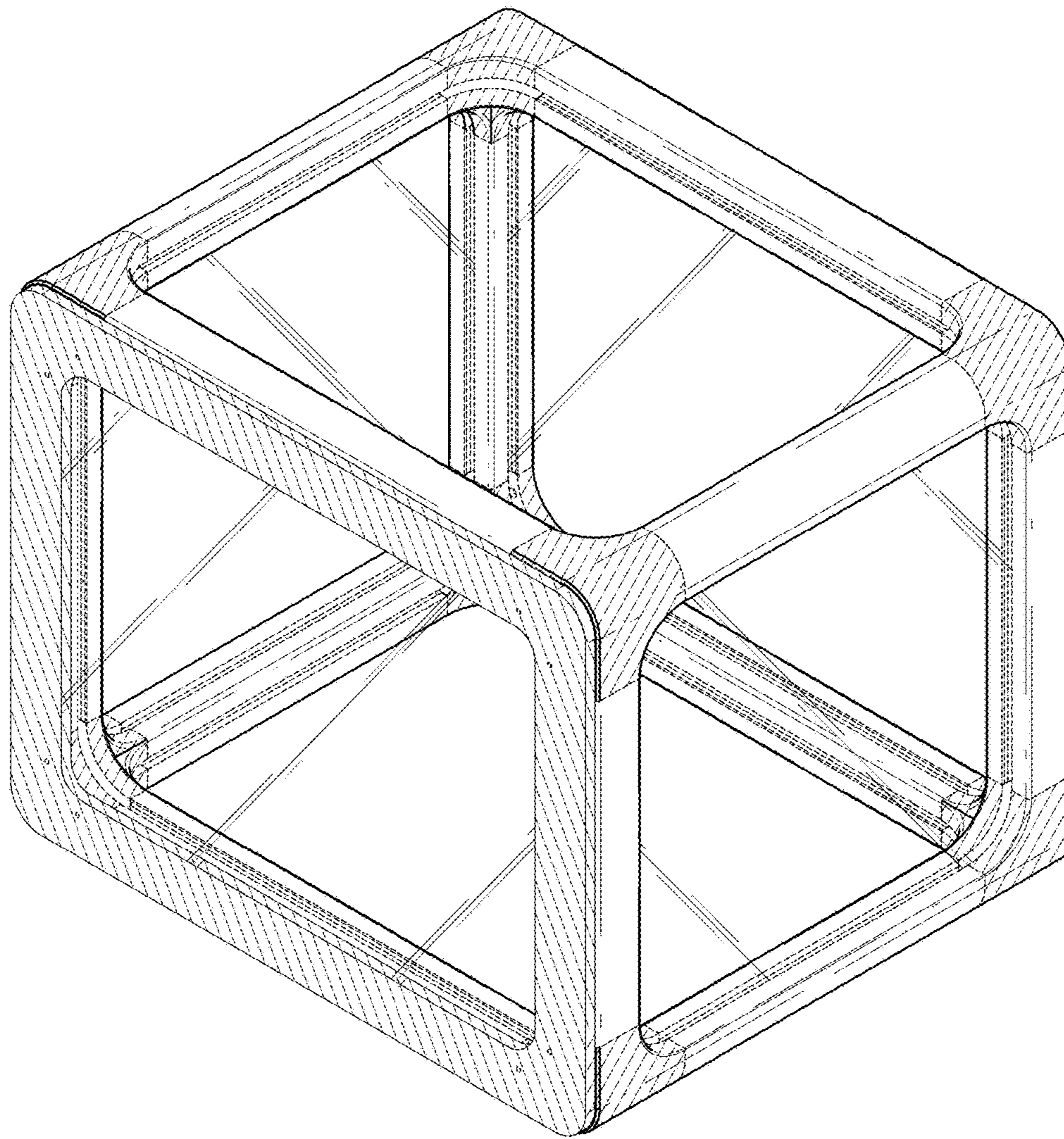


FIG. 9

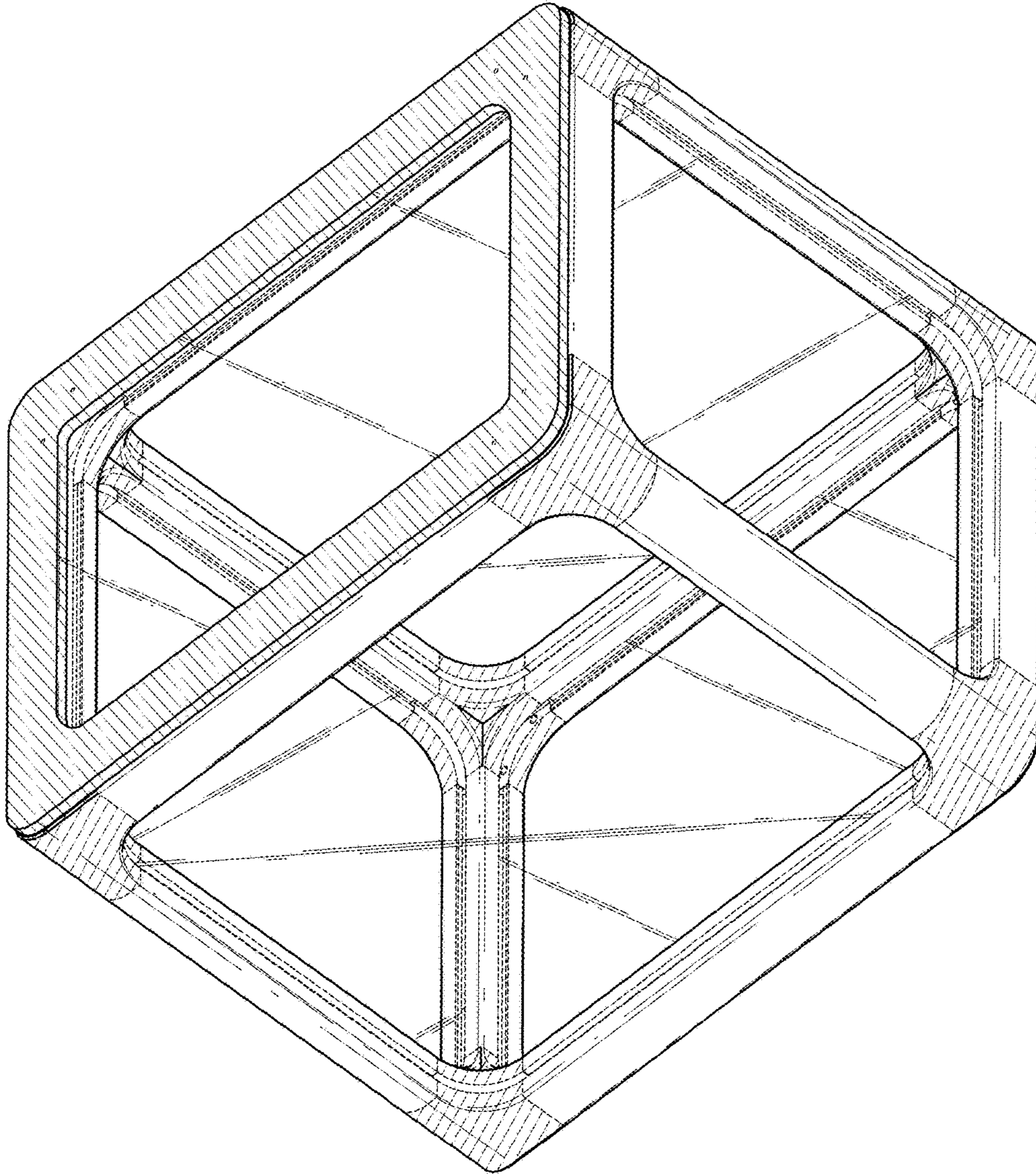


FIG. 10

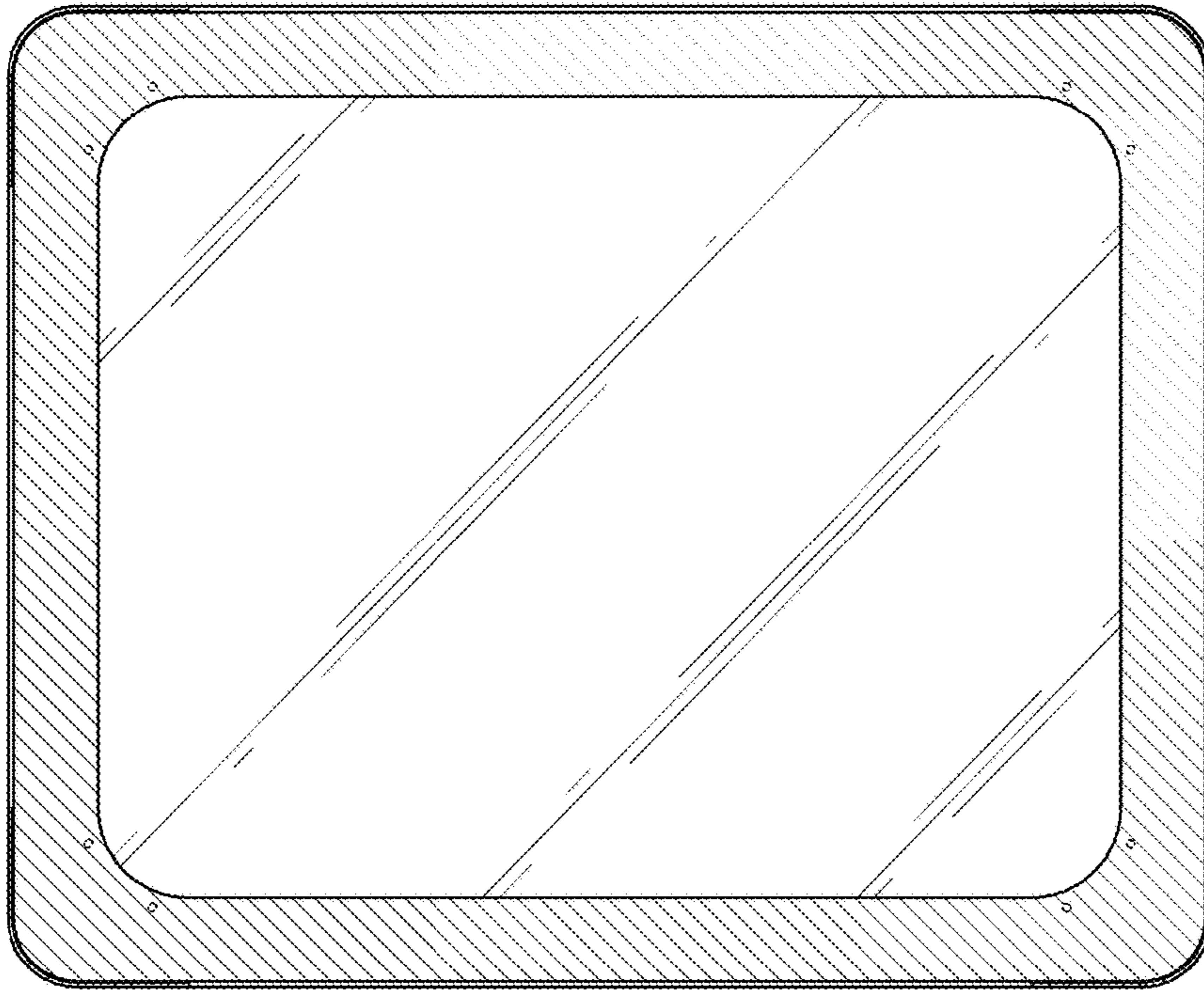


FIG. II

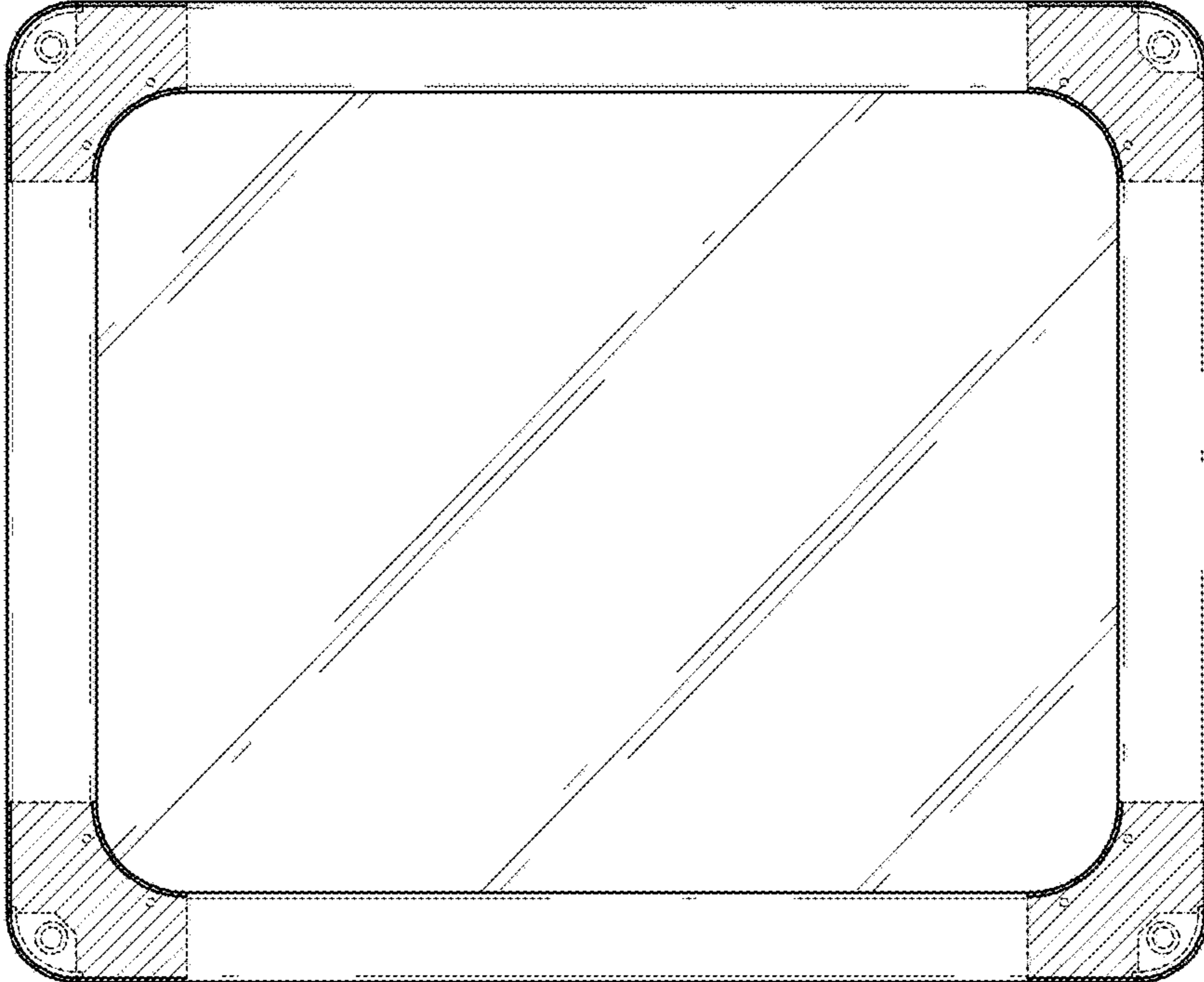


FIG. 12

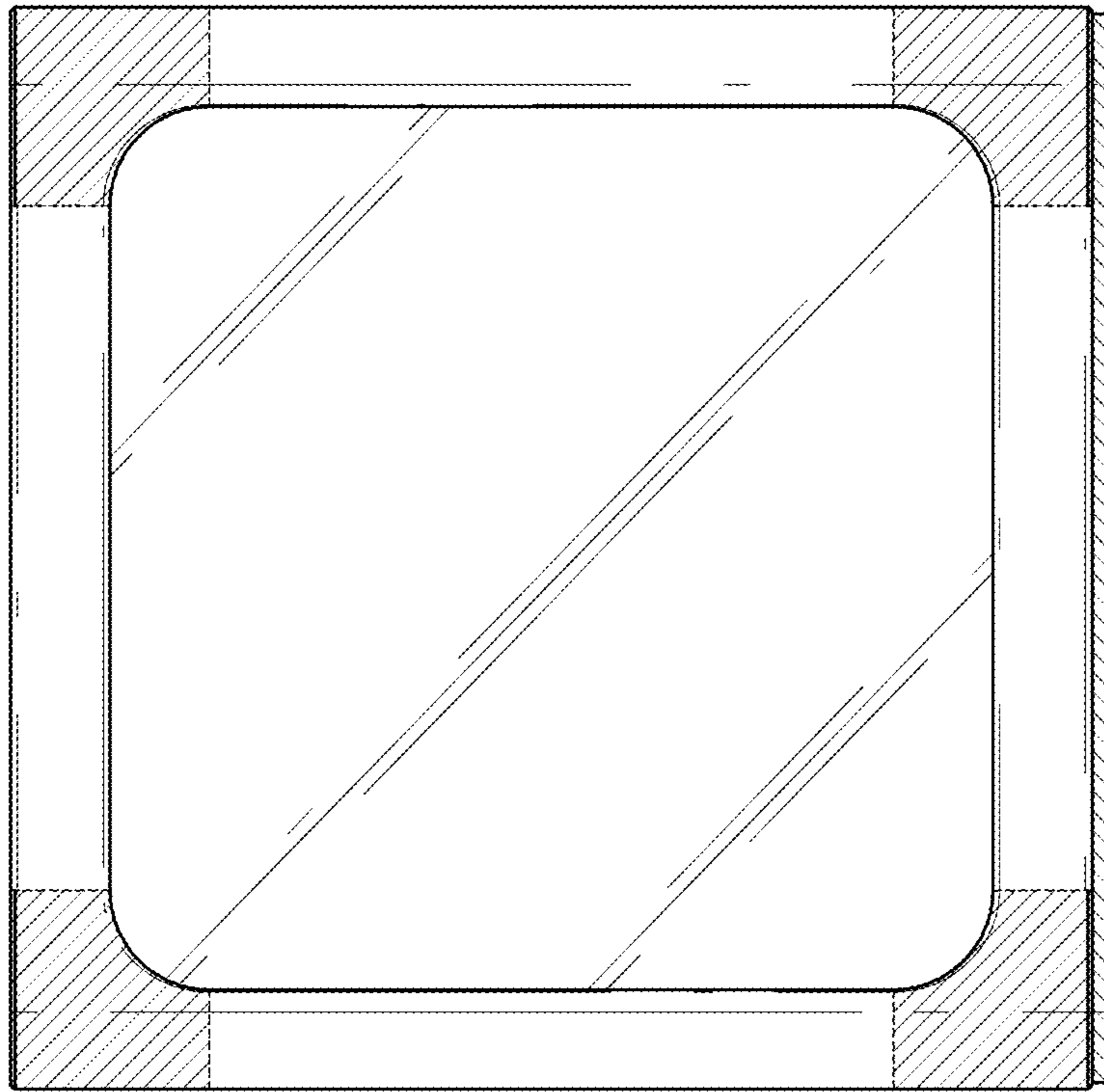


FIG. 13

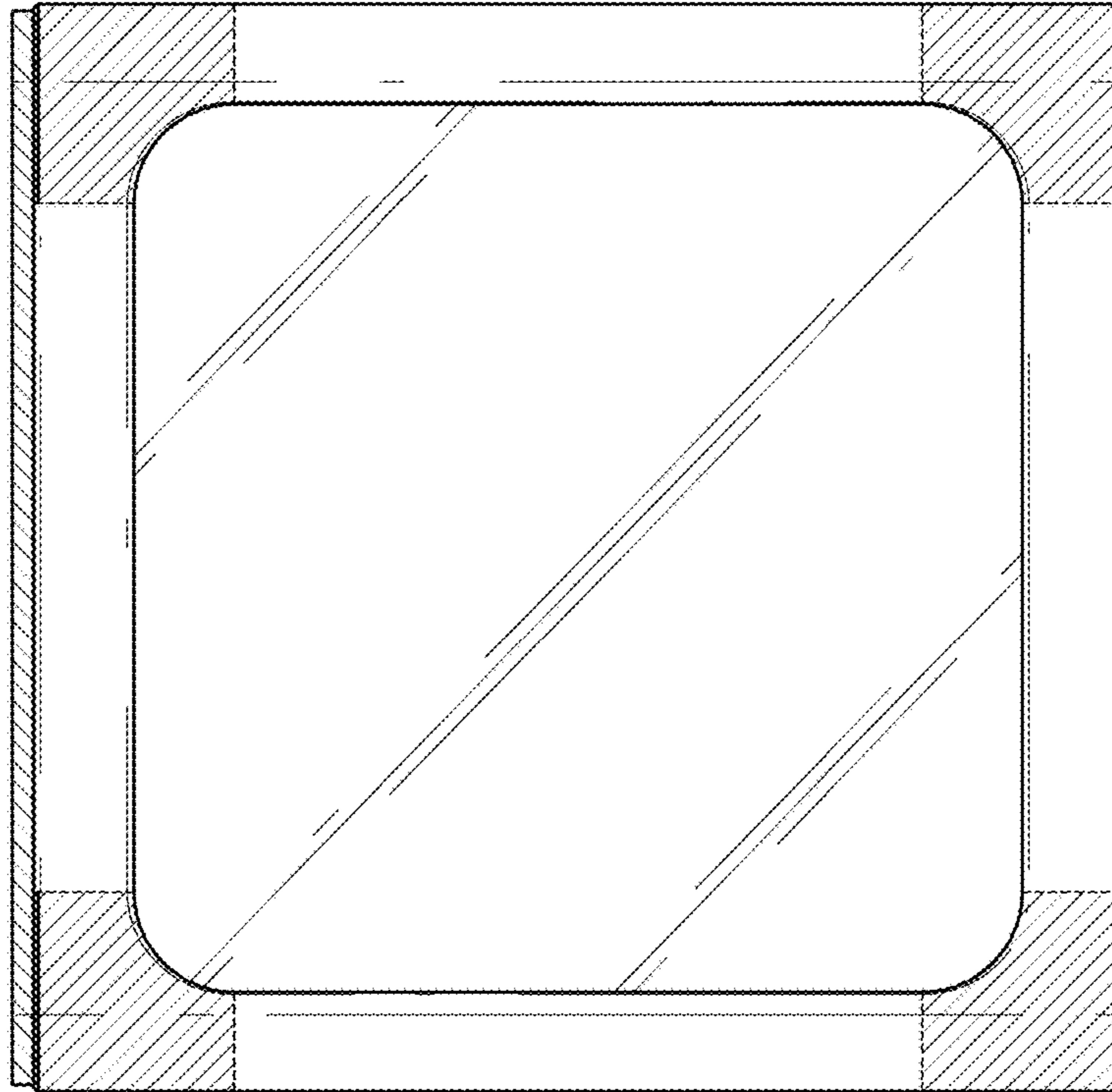


FIG. 14

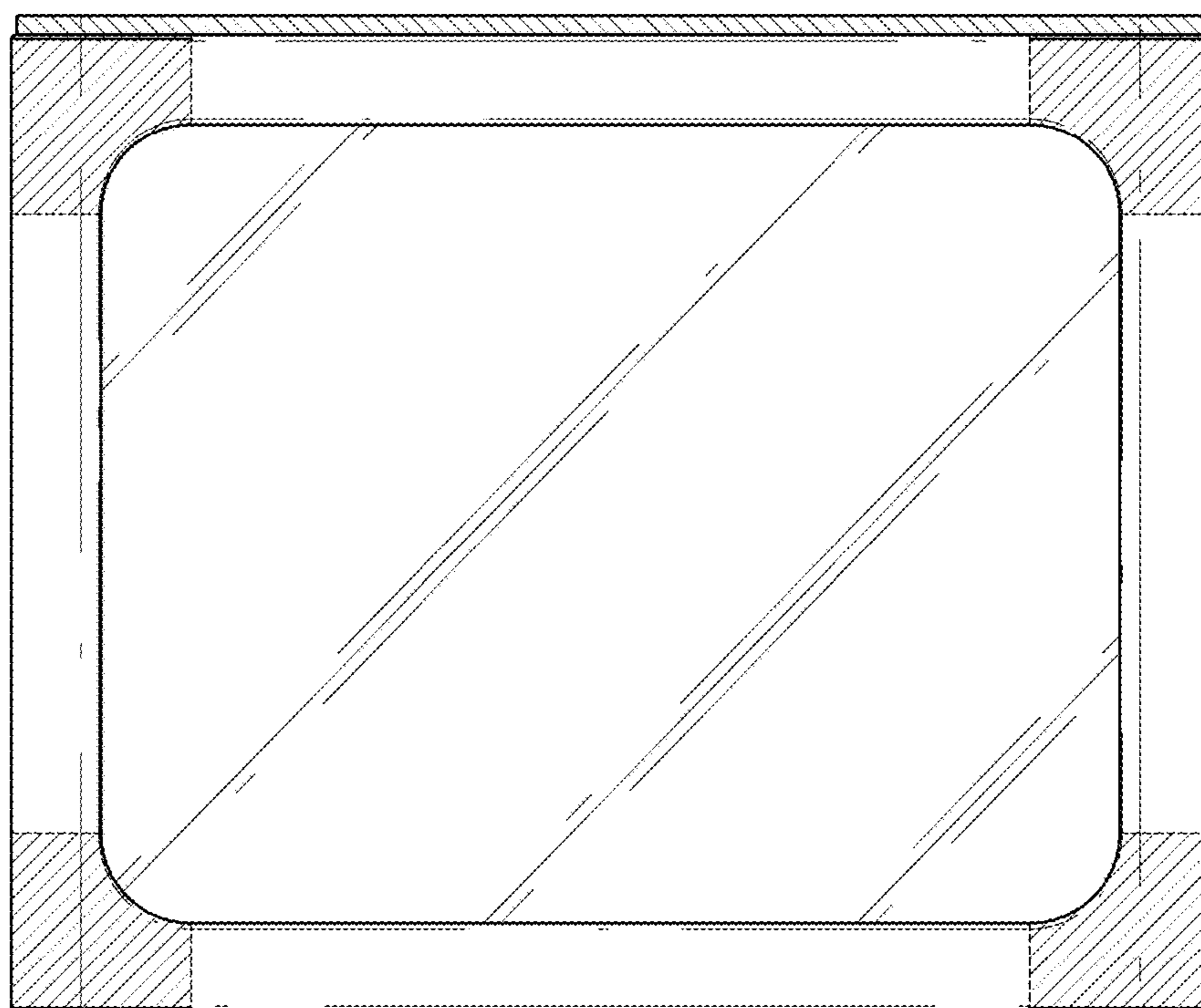


FIG. 15

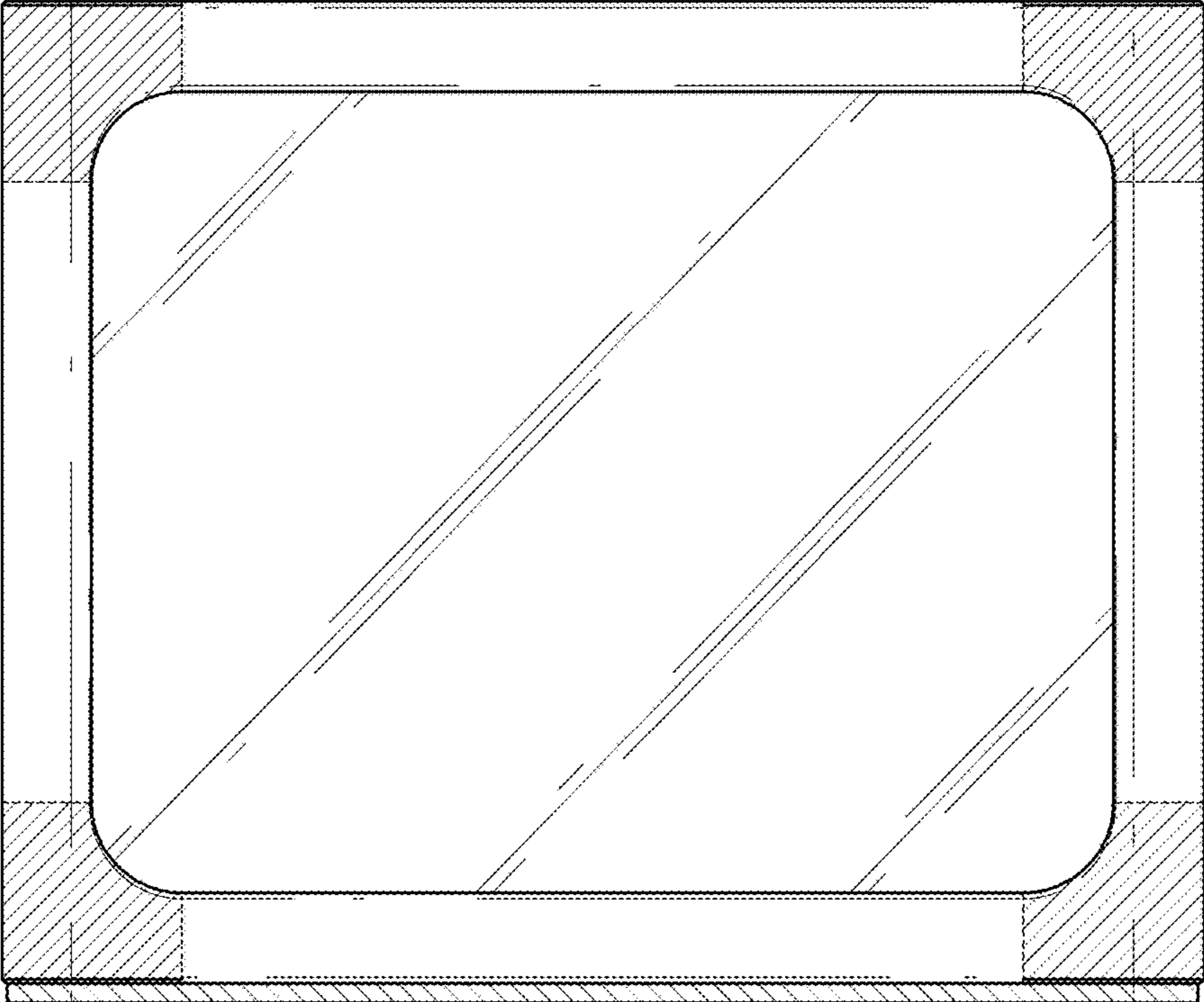


FIG. 16