



US00D776726S

(12) **United States Design Patent**
Mauffette

(10) **Patent No.:** **US D776,726 S**
(45) **Date of Patent:** **** Jan. 17, 2017**

(54) **WINE REFRIGERATOR**
(71) Applicant: **LES ENTREPRISES ZERONEXT INC.**, Montréal (CA)
(72) Inventor: **Claude Mauffette**, Montreal (CA)
(73) Assignee: **LES ENTREPRISES ZERONEXT INC.**, Montreal, QC (CA)

D478,601 S * 8/2003 Becke D15/81
D493,181 S * 7/2004 Kehoe D15/81
D511,785 S * 11/2005 Aldous D15/89
D512,081 S * 11/2005 Chang D15/81
D550,256 S * 9/2007 Lei D15/81
D604,340 S * 11/2009 Kim D15/81
D630,230 S * 1/2011 Yang D15/81
D747,367 S * 1/2016 Stolarz D15/81

* cited by examiner

(**) Term: **14 Years**

Primary Examiner — Ian Simmons

(21) Appl. No.: **29/504,481**

Assistant Examiner — Khawaja Anwar

(22) Filed: **Oct. 7, 2014**

(74) *Attorney, Agent, or Firm* — Anglehart et al.

(30) **Foreign Application Priority Data**

(57) **CLAIM**

Apr. 7, 2014 (CA) 155880

(51) **LOC (10) Cl.** **15-07**

The ornamental design for a wine refrigerator, as shown and described.

(52) **U.S. Cl.**
USPC **D15/81**

(58) **Field of Classification Search**
USPC D15/79–91
CPC F25D 23/028; F25D 23/02; F25D 25/025; F25D 23/00; F25D 2323/021; F25D 11/00; F25D 2323/024; F25D 23/04; F25D 29/00; F25D 25/02; F25D 25/024; F25D 27/005; F25D 23/12; F25D 29/005; F25D 17/042; F25D 2325/021
See application file for complete search history.

DESCRIPTION

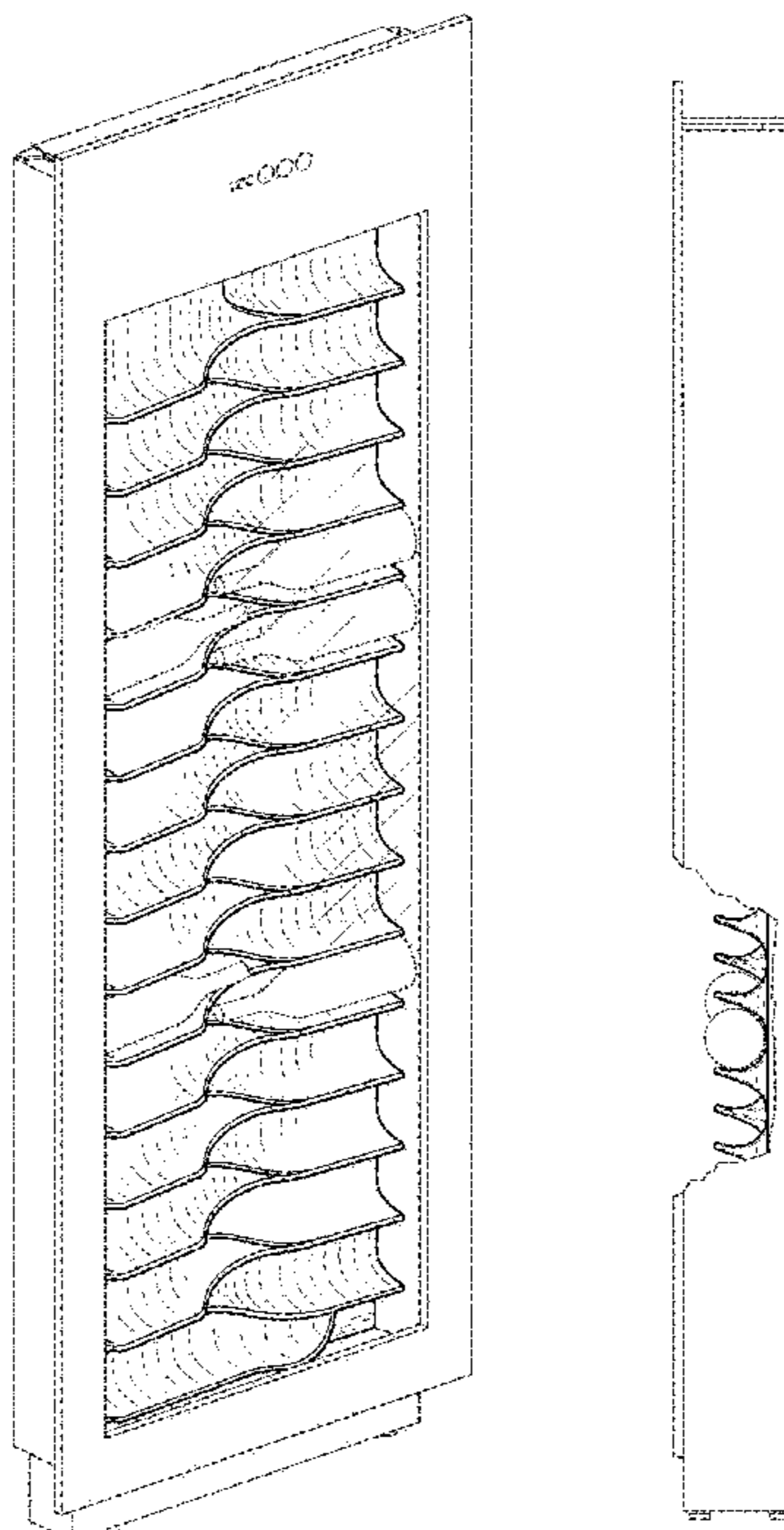
FIG. 1 is a front perspective view of a wine refrigerator, showing my new design;
FIG. 2 is a front elevation view thereof;
FIG. 3 is a left side elevation view thereof, the right side being a mirror image thereto;
FIG. 4 is a cutaway view thereof, along the area 4-4 indicated in FIG. 2;
FIG. 5 is a bottom plan view thereof; and,
FIG. 6 is a top plan view thereof.
The broken lines illustrate environmental structure and form no part of the claimed design.

(56) **References Cited**

U.S. PATENT DOCUMENTS

D325,918 S * 5/1992 Lloyd D15/81
D475,722 S * 6/2003 Segers D15/86

1 Claim, 4 Drawing Sheets



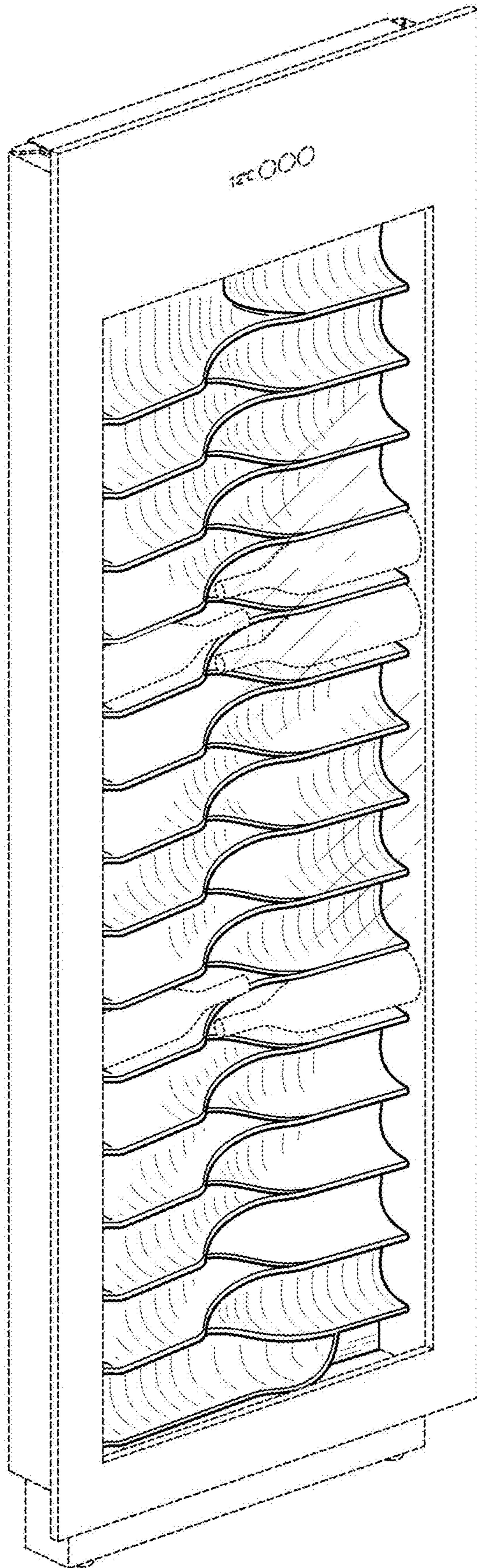


FIG. 1

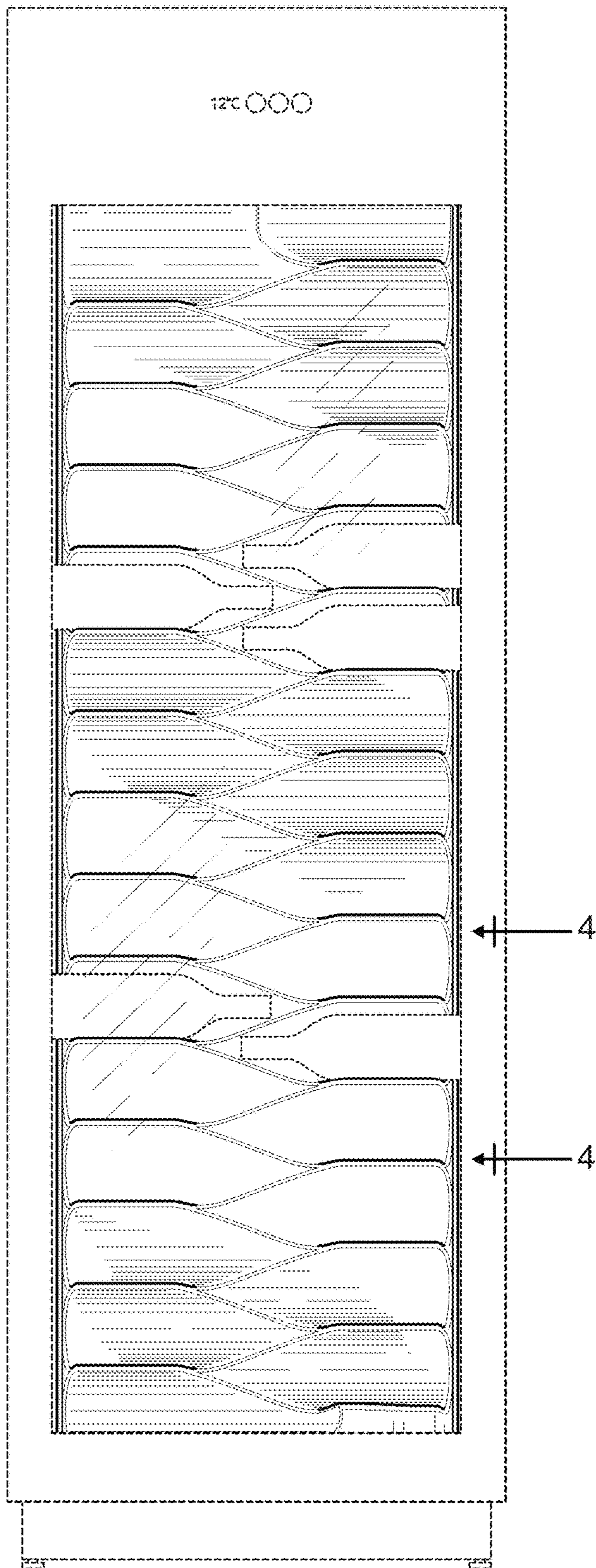


FIG. 2

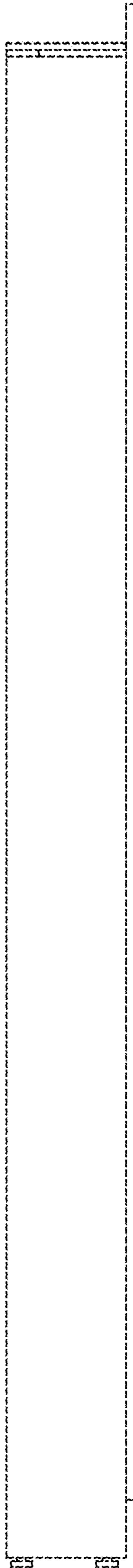


FIG. 3

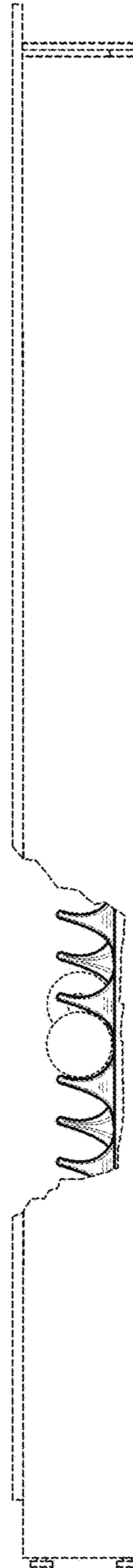


FIG. 4



FIG. 5

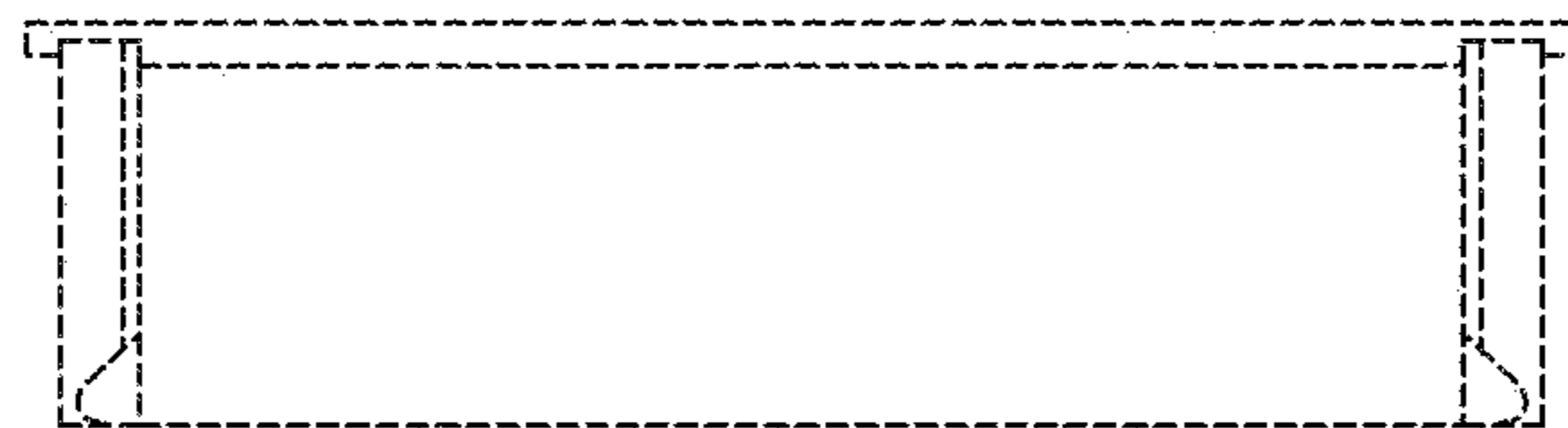


FIG. 6