



US00D776725S

(12) **United States Design Patent**  
**Harms et al.**

(10) **Patent No.:** **US D776,725 S**  
(45) **Date of Patent:** **\*\* Jan. 17, 2017**

- (54) **OPERATOR COMPARTMENT**
- (71) Applicant: **Clark Equipment Company**, West Fargo, ND (US)
- (72) Inventors: **Jeremy A. Harms**, Bismarck, ND (US); **James M. Breuer**, Mandan, ND (US); **Michael D. Wetzel**, Bismarck, ND (US); **Shawn M. Bauer**, Bismarck, ND (US); **Jinhup Yeu**, Yongin (KR)
- (73) Assignee: **Clark Equipment Company**, West Fargo, ND (US)
- (\*\*) Term: **15 Years**
- (21) Appl. No.: **29/539,080**
- (22) Filed: **Sep. 10, 2015**
- (51) **LOC (10) Cl.** ..... **12-09**
- (52) **U.S. Cl.**  
USPC ..... **D15/30**
- (58) **Field of Classification Search**  
USPC .. D15/10, 11, 15, 17, 22, 23, 25, 26, 28, 30  
CPC ..... E02F 9/0841; E02F 3/3411; E02F 3/76; E02F 3/34; E02F 3/00; E02F 7/00; E02F 9/16; E02F 9/163; B66C 13/54; B60J 7/00; B60J 1/004; B62D 33/0617; B62D 49/00; B62D 49/0815; B62D 21/186; B62D 53/028  
See application file for complete search history.

(56) **References Cited**

U.S. PATENT DOCUMENTS

- D258,823 S \* 4/1981 Skyer ..... D15/30
- D297,329 S \* 8/1988 Monehaie ..... D15/30
- D312,827 S \* 12/1990 Boddin ..... D15/30
- D505,432 S \* 5/2005 Antonetti ..... D15/30
- D531,647 S \* 11/2006 Stender ..... D15/30

- D577,040 S \* 9/2008 Kim ..... D15/30
- D594,036 S \* 6/2009 Iwakata ..... D15/30
- D594,480 S \* 6/2009 Gicquel ..... D15/30
- D605,207 S \* 12/2009 Menges ..... D15/30
- D637,630 S \* 5/2011 Yamamoto ..... D15/30
- D642,205 S \* 7/2011 Yamamoto ..... D15/30
- D648,357 S \* 11/2011 Hagele ..... D15/27
- D674,411 S \* 1/2013 Masumoto ..... D15/30
- D678,360 S \* 3/2013 Kozai ..... D15/30
- D705,276 S \* 5/2014 Furuki ..... D15/30
- D707,728 S \* 6/2014 Imashige ..... D15/30
- D734,369 S \* 7/2015 Miller ..... D15/30
- D742,940 S \* 11/2015 Kushita ..... D15/30
- D748,156 S \* 1/2016 Koponen ..... D15/30
- D749,149 S \* 2/2016 McAdam ..... D15/30
- D749,649 S \* 2/2016 McAdam ..... D15/30

(Continued)

*Primary Examiner* — Ian Simmons  
*Assistant Examiner* — Khawaja Anwar  
(74) *Attorney, Agent, or Firm* — Michael Best & Friedrich LLP

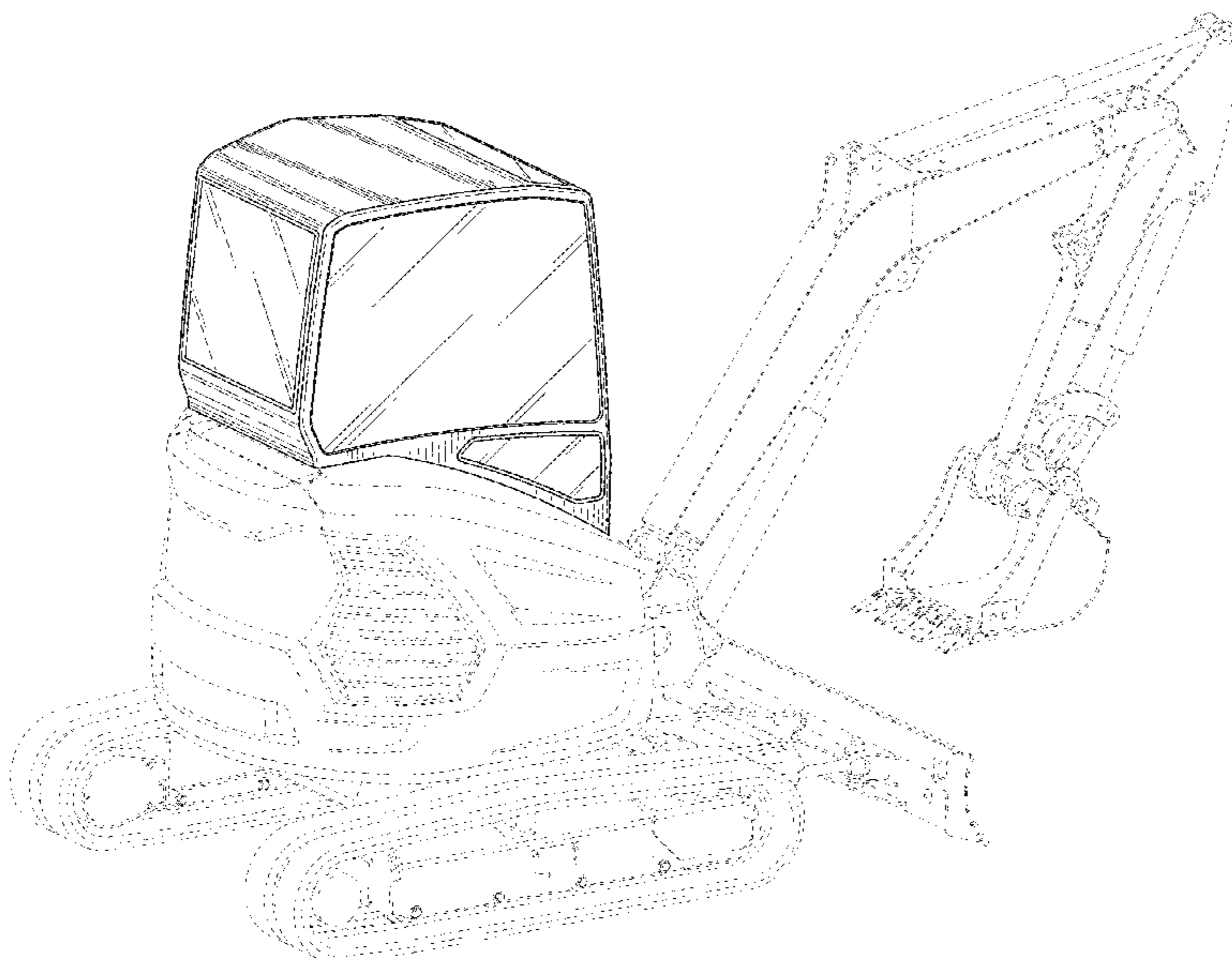
(57) **CLAIM**

We claim the ornamental design for an operator compartment, as shown and described.

**DESCRIPTION**

FIG. 1 is a perspective view of an operator compartment and engine housing, showing our new design;  
FIG. 2 is a right side view thereof;  
FIG. 3 is a left side view thereof;  
FIG. 4 is a front side view thereof;  
FIG. 5 is a rear view thereof; and,  
FIG. 6 is a top view thereof.  
The broken lines immediately adjacent the shaded areas represent the bounds of the claimed design while all other broken lines are directed to environment and are for illustrative purposes only; the broken lines form no part of the claimed design.

**1 Claim, 6 Drawing Sheets**



(56)

**References Cited**

U.S. PATENT DOCUMENTS

D751,123 S	*	3/2016	Kazakoff .....	D15/30
D754,213 S	*	4/2016	Okuyama .....	D15/30
D762,248 S	*	7/2016	Steinhardt .....	D15/30

\* cited by examiner

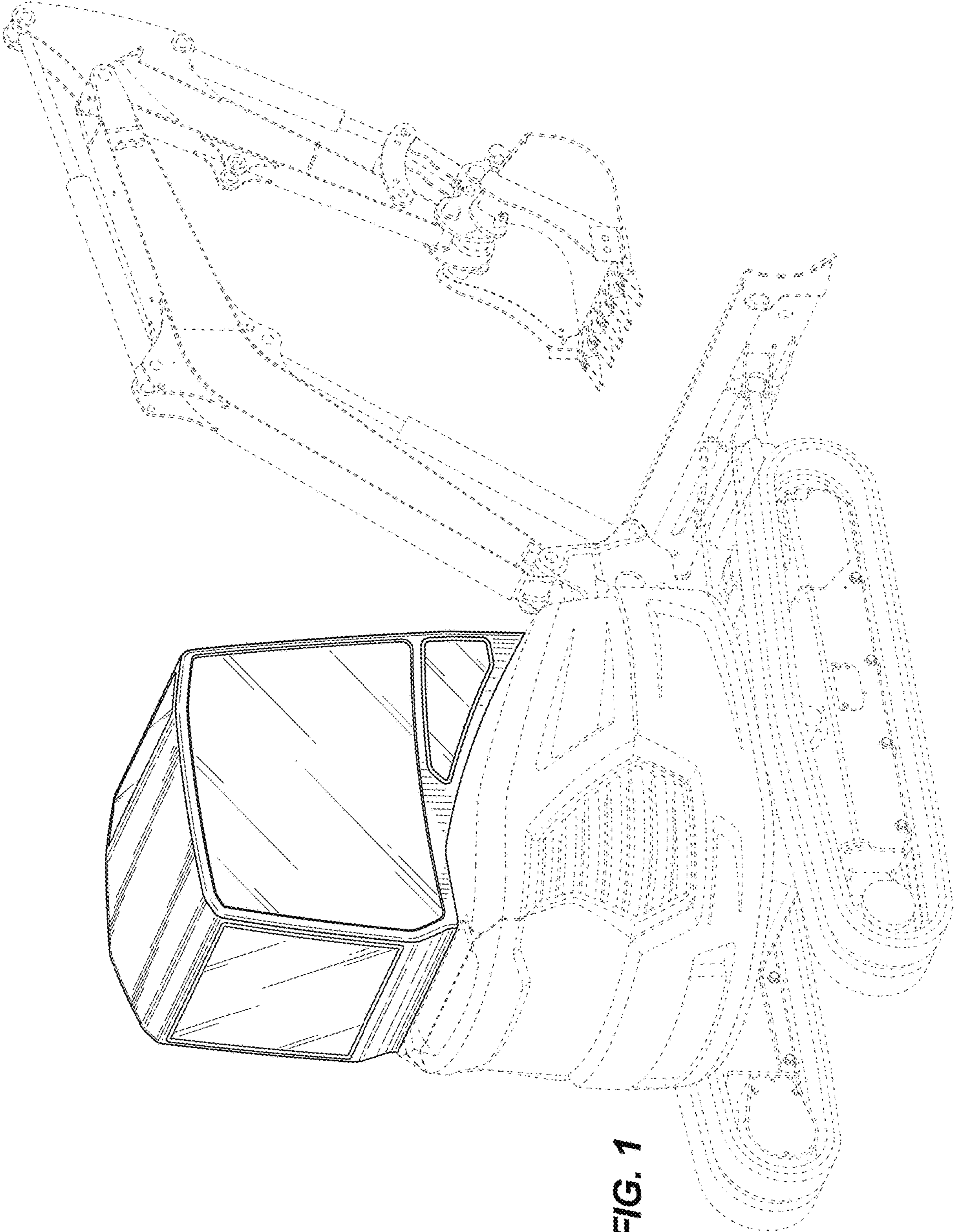


FIG. 1

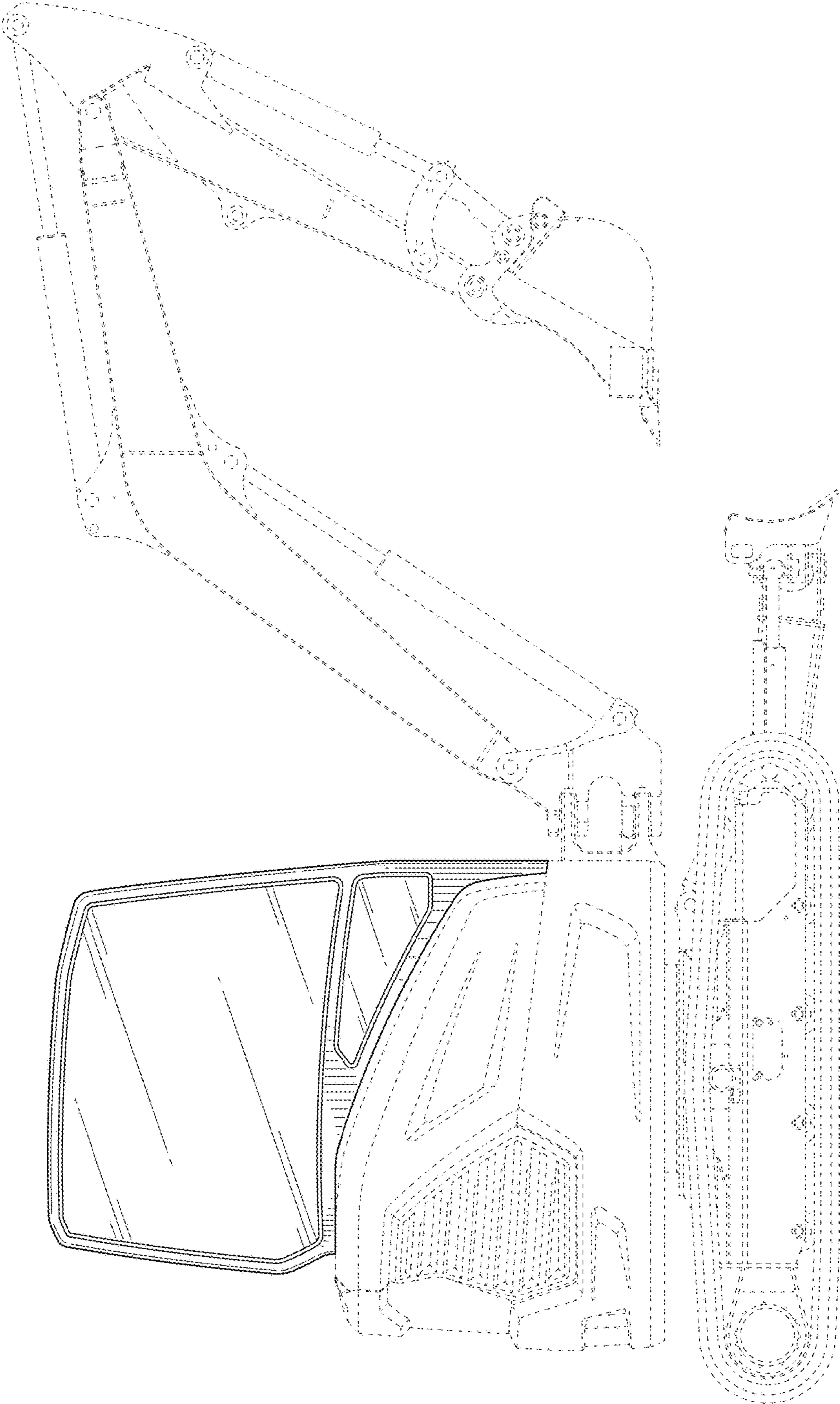


FIG. 2

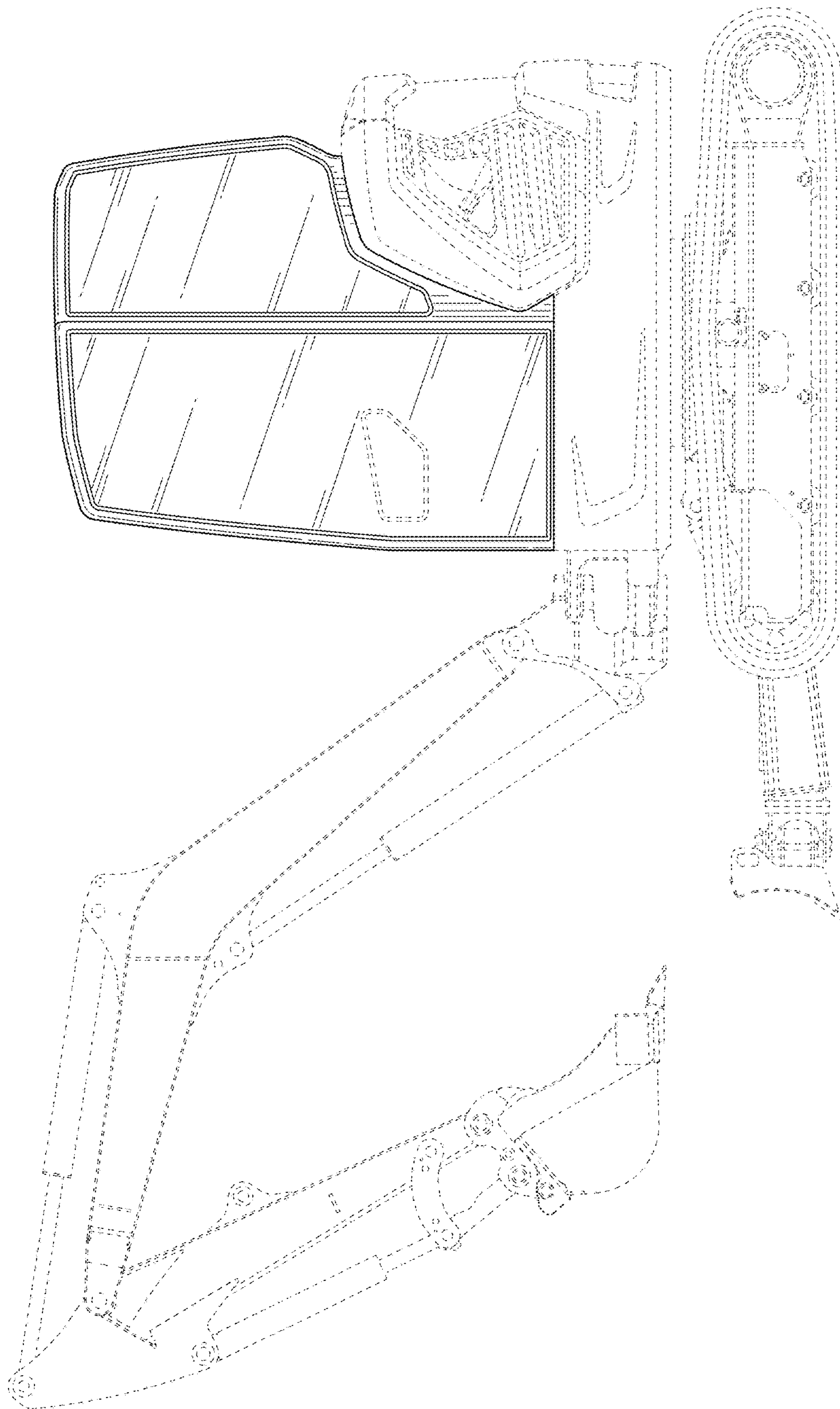
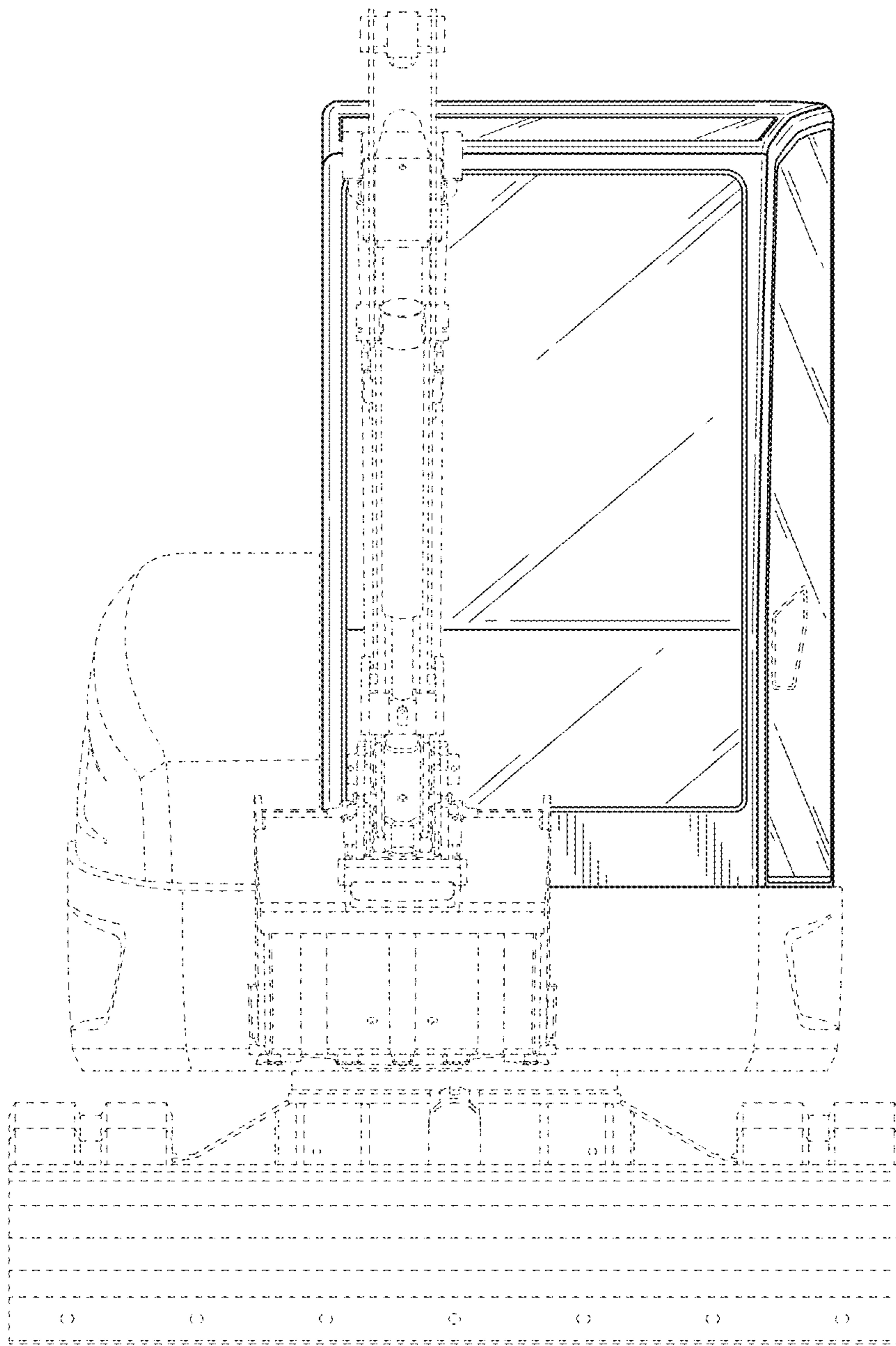
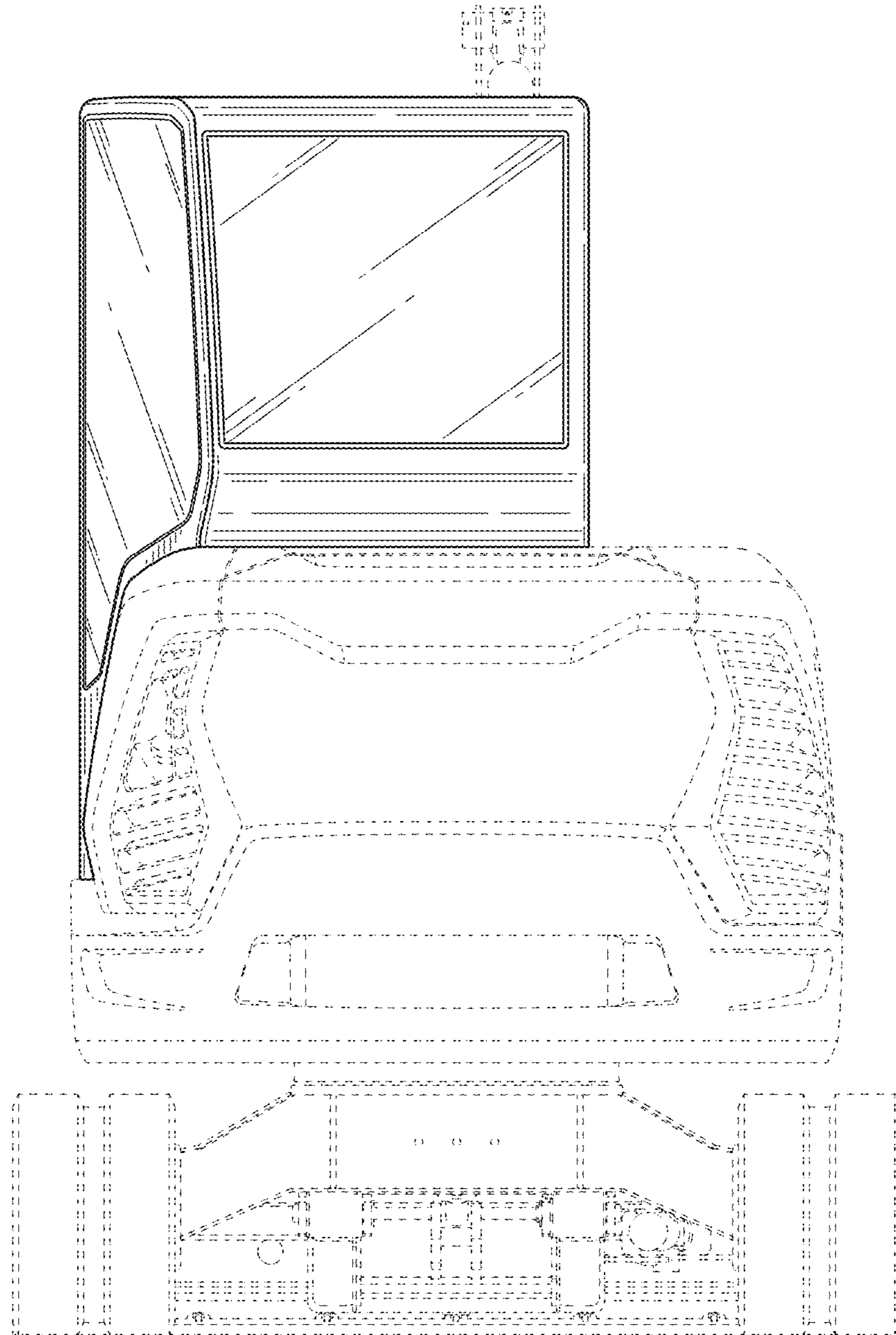


FIG. 3



**FIG. 4**



**FIG. 5**

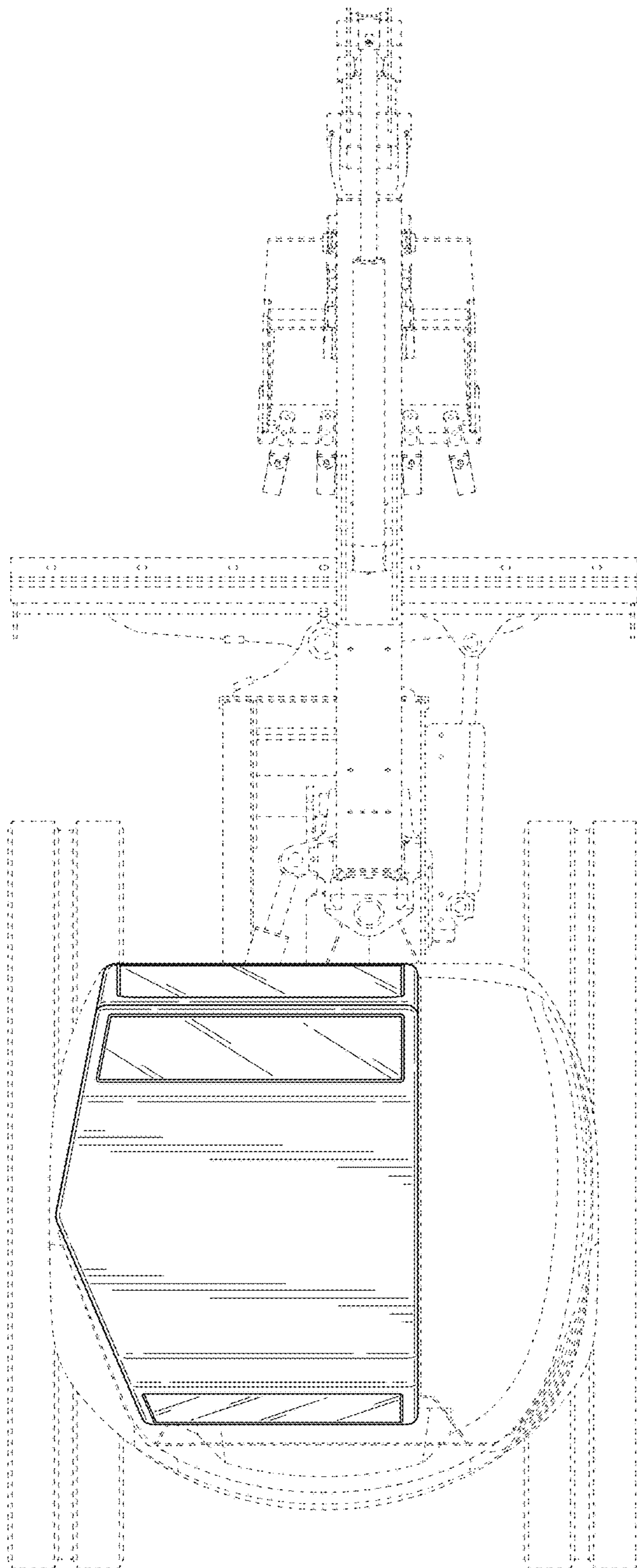


FIG. 6