



US00D776724S

(12) **United States Design Patent**
Harms et al.

(10) **Patent No.:** **US D776,724 S**
(45) **Date of Patent:** **** Jan. 17, 2017**

(54) **OPERATOR COMPARTMENT AND ENGINE HOUSING**

(71) Applicant: **Clark Equipment Company**, West Fargo, ND (US)

(72) Inventors: **Jeremy A. Harms**, Bismarck, ND (US); **James M. Breuer**, Mandan, ND (US); **Michael D. Wetzel**, Bismarck, ND (US); **Shawn M Bauer**, Bismarck, ND (US); **Jinhup Yeu**, Yongin (KR)

(73) Assignee: **Clark Equipment Company**, West Fargo, ND (US)

(**) Term: **15 Years**

(21) Appl. No.: **29/539,077**

(22) Filed: **Sep. 10, 2015**

(51) **LOC (10) Cl.** **15-07**

(52) **U.S. Cl.**
USPC **D15/30**

(58) **Field of Classification Search**
USPC .. D15/10, 11, 15, 17, 22, 23, 25, 26, 28, 30
CPC E02F 9/0841; E02F 3/3411; E02F 3/76;
E02F 3/34; E02F 3/00; E02F 7/00; E02F
9/16; E02F 9/163; B66C 13/54; B60J
7/00; B60J 1/004; B62D 33/0617; B62D
49/00; B62D 49/0815; B62D
21/186; B62D 53/028

See application file for complete search history.

(56) **References Cited**

U.S. PATENT DOCUMENTS

D258,823 S * 4/1981 Skyer D15/30
D297,329 S * 8/1988 Monehaie D15/30
D312,827 S * 12/1990 Boddin D15/30

D505,432 S * 5/2005 Antonetti D15/30
D531,647 S * 11/2006 Stender D15/30
D577,040 S * 9/2008 Kim D15/30
D594,036 S * 6/2009 Iwakata D15/30
D594,480 S * 6/2009 Gicquel D15/30
D605,207 S * 12/2009 Menges D15/30
D637,630 S * 5/2011 Yamamoto D15/30
D642,205 S * 7/2011 Yamamoto D15/30
D648,357 S * 11/2011 Hagele D15/27
D674,411 S * 1/2013 Masumoto D15/30
D678,360 S * 3/2013 Kozai D15/30
D705,276 S * 5/2014 Furuki D15/30
D707,728 S * 6/2014 Imashige D15/30
D734,369 S * 7/2015 Miller D15/30
D742,940 S * 11/2015 Kushita D15/30
D748,156 S * 1/2016 Koponen D15/30
D749,149 S * 2/2016 McAdam D15/30
D749,649 S * 2/2016 McAdam D15/30

(Continued)

Primary Examiner — Ian Simmons

Assistant Examiner — Khawaja Anwar

(74) *Attorney, Agent, or Firm* — Michael Best & Friedrich LLP

(57) **CLAIM**

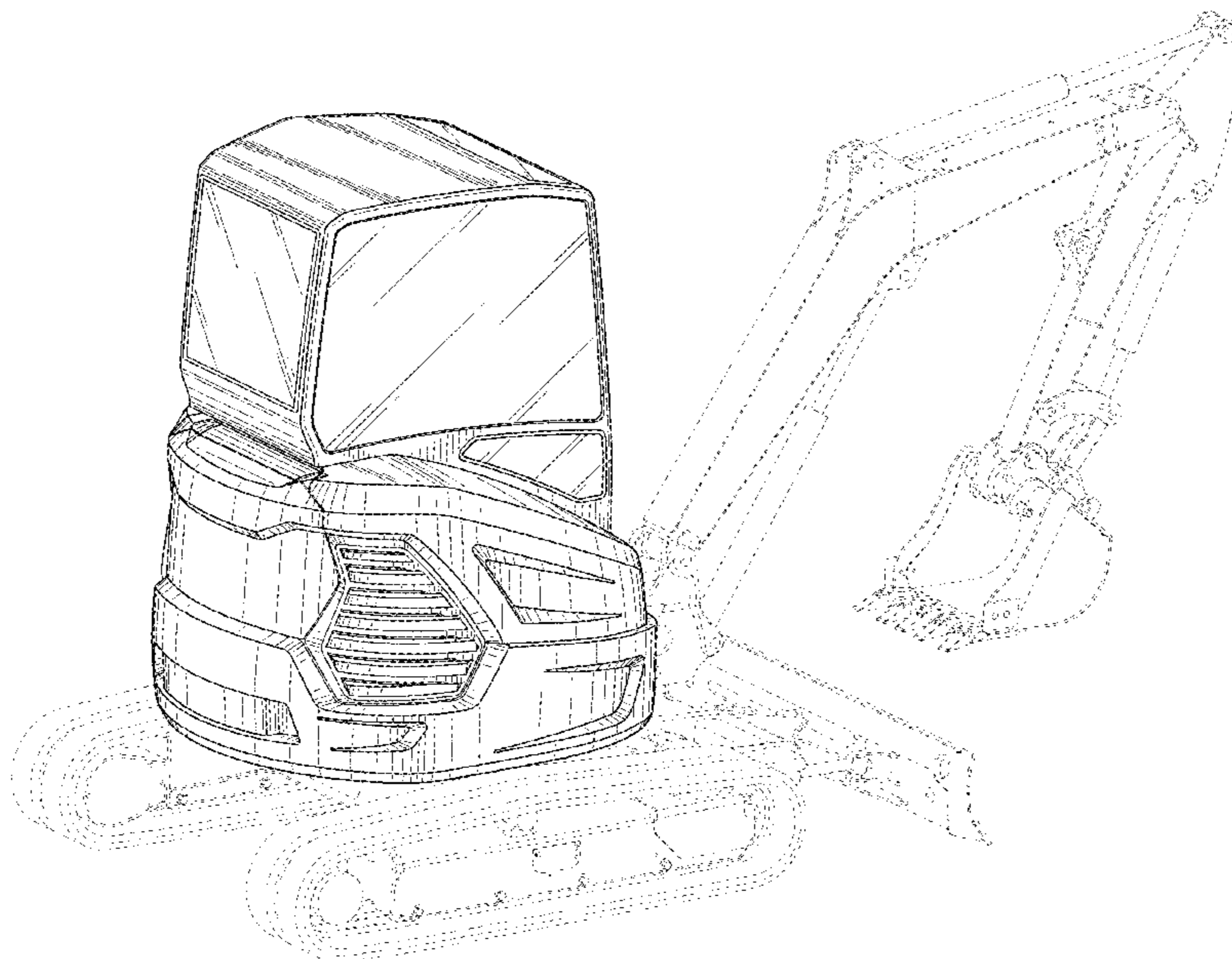
We claim the ornamental design for an operator compartment and engine housing, as shown and described.

DESCRIPTION

FIG. 1 is a perspective view of an operator compartment and engine housing, showing our new design; FIG. 2 is a right side view thereof; FIG. 3 is a left side view thereof; FIG. 4 is a front side view thereof; FIG. 5 is a rear view thereof; and, FIG. 6 is a top view thereof.

The broken lines are directed to environment, are for illustrative purposes only, and form no part of the claimed design.

1 Claim, 6 Drawing Sheets



(56)

References Cited

U.S. PATENT DOCUMENTS

D751,123 S *	3/2016	Kazakoff	D15/30
D754,213 S *	4/2016	Okuyama	D15/30
D762,248 S *	7/2016	Steinhardt	D15/30

* cited by examiner

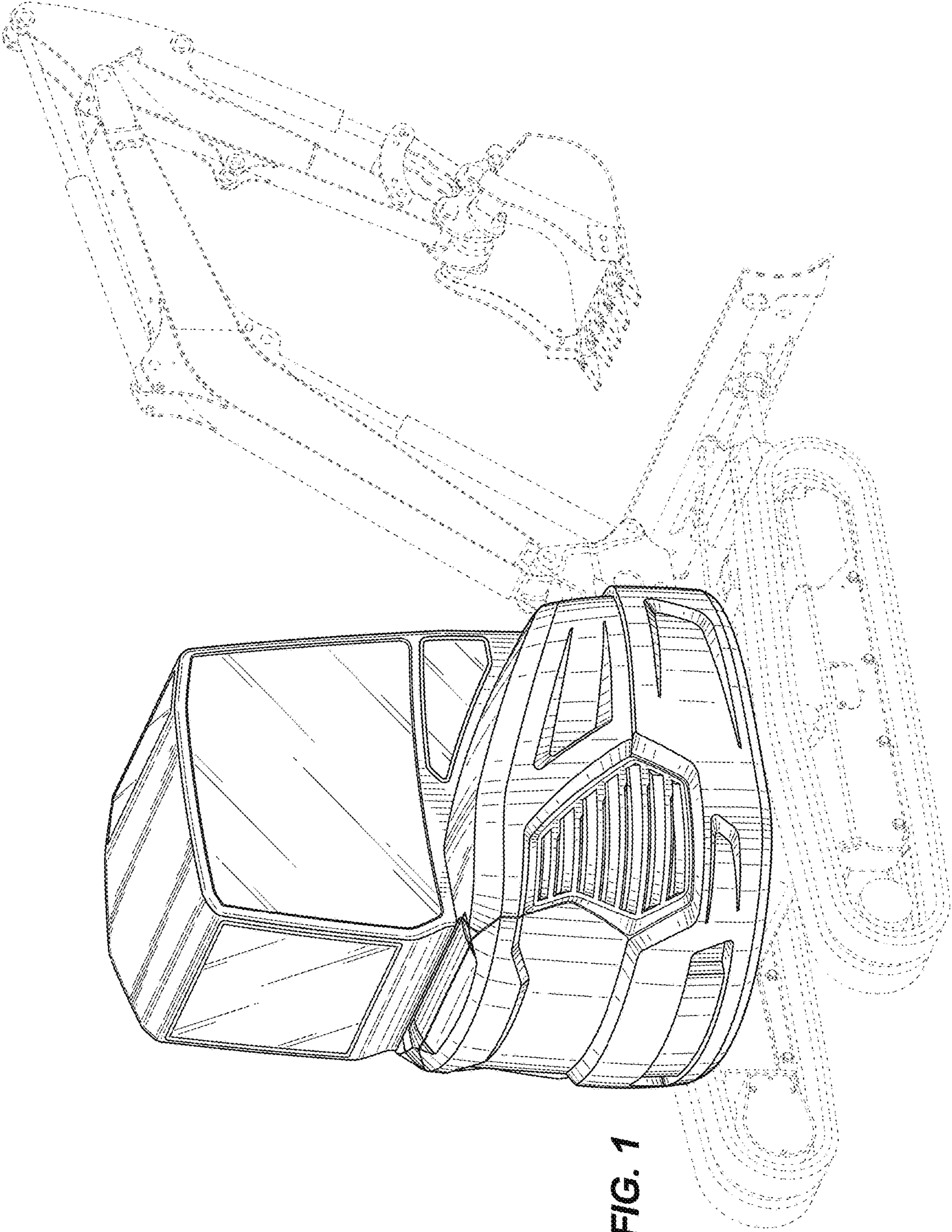


FIG. 1

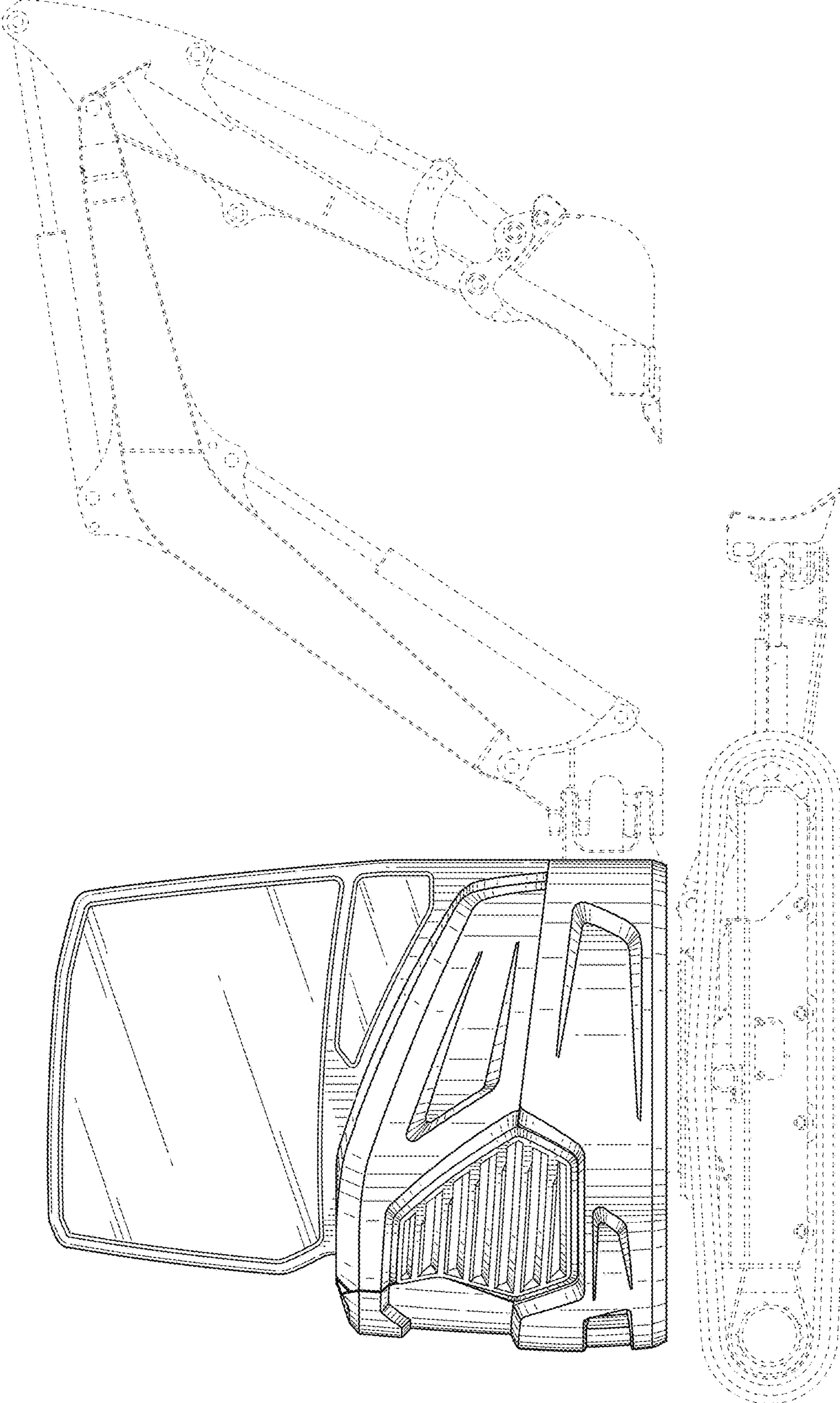


FIG. 2

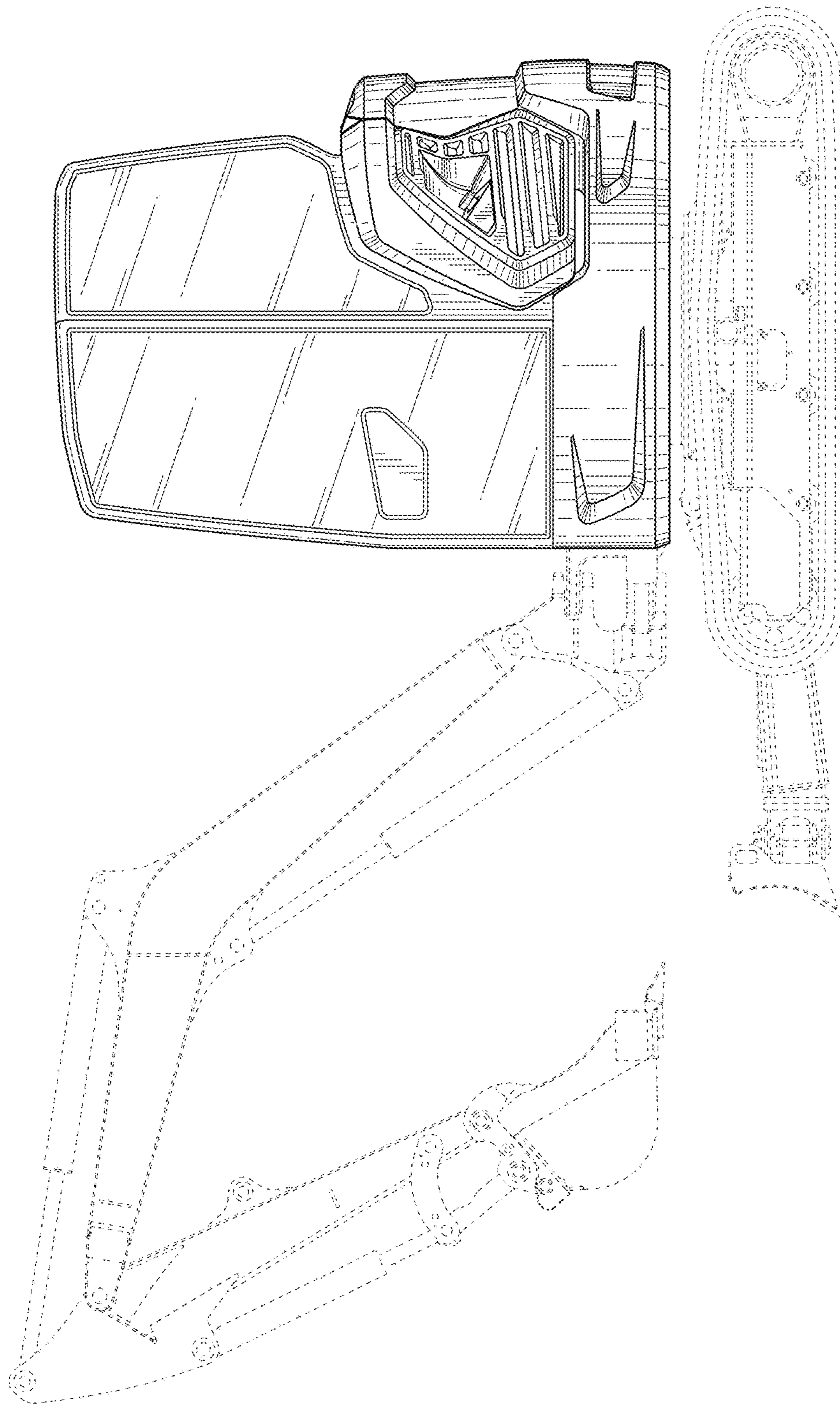


FIG. 3

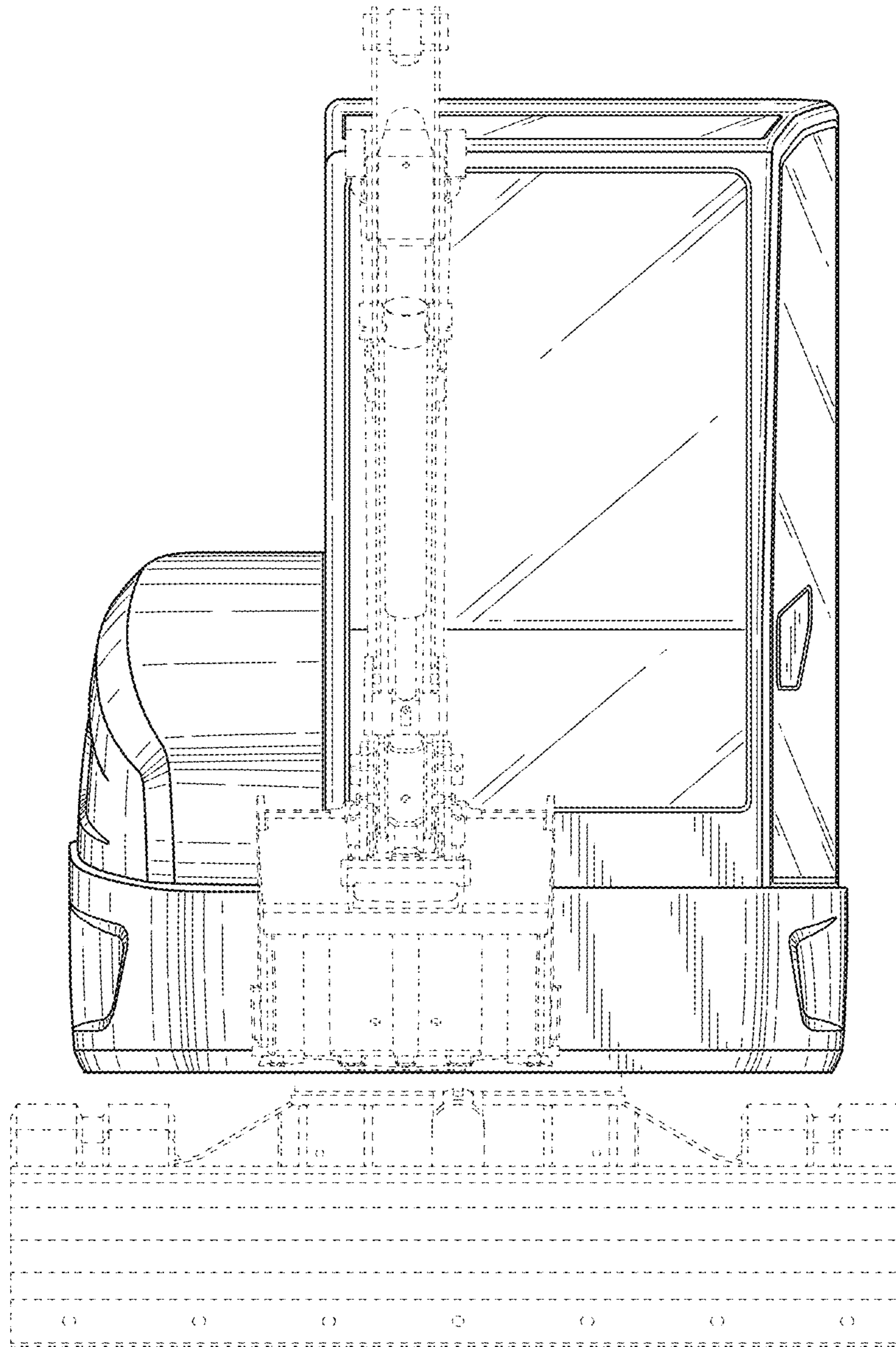


FIG. 4

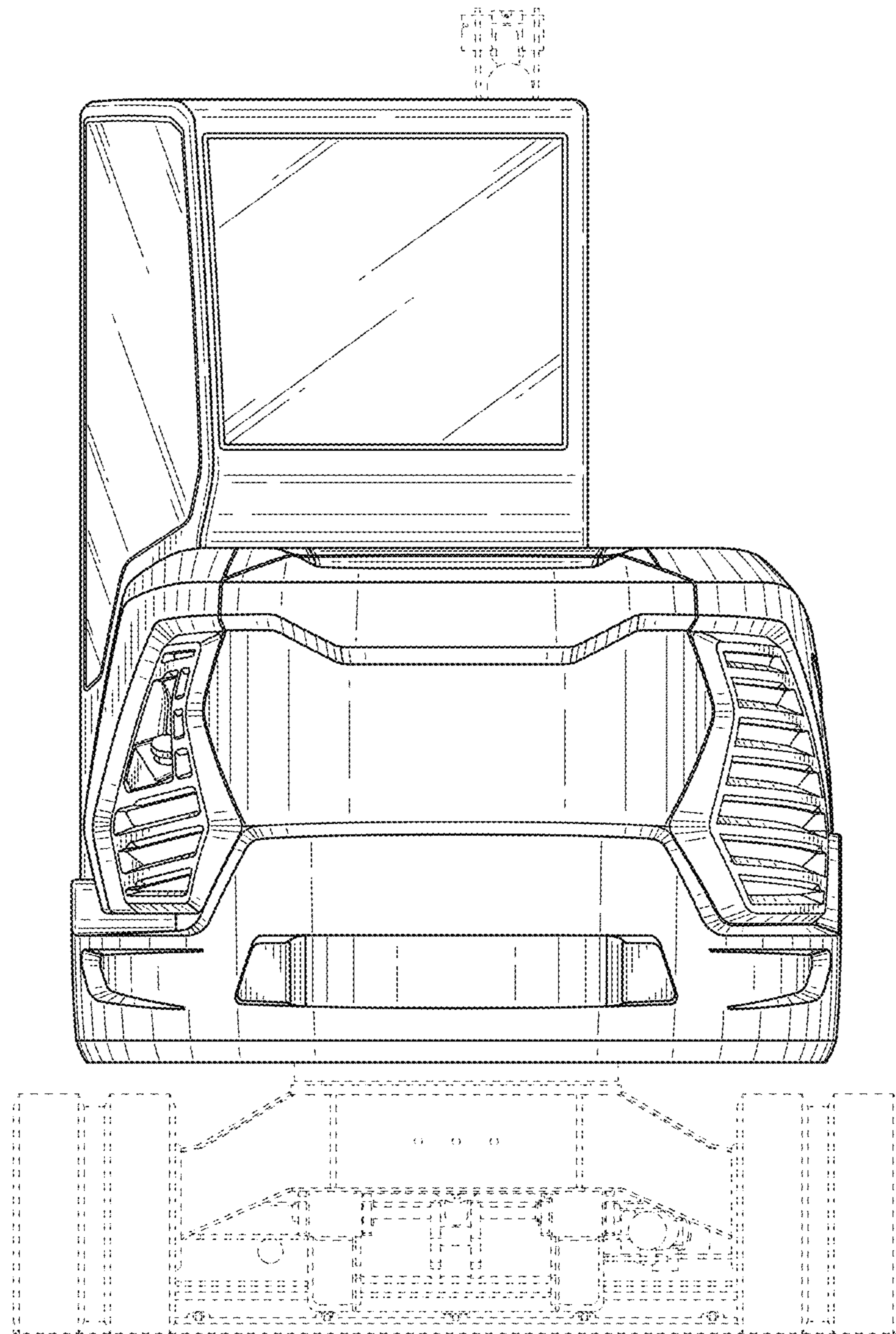


FIG. 5

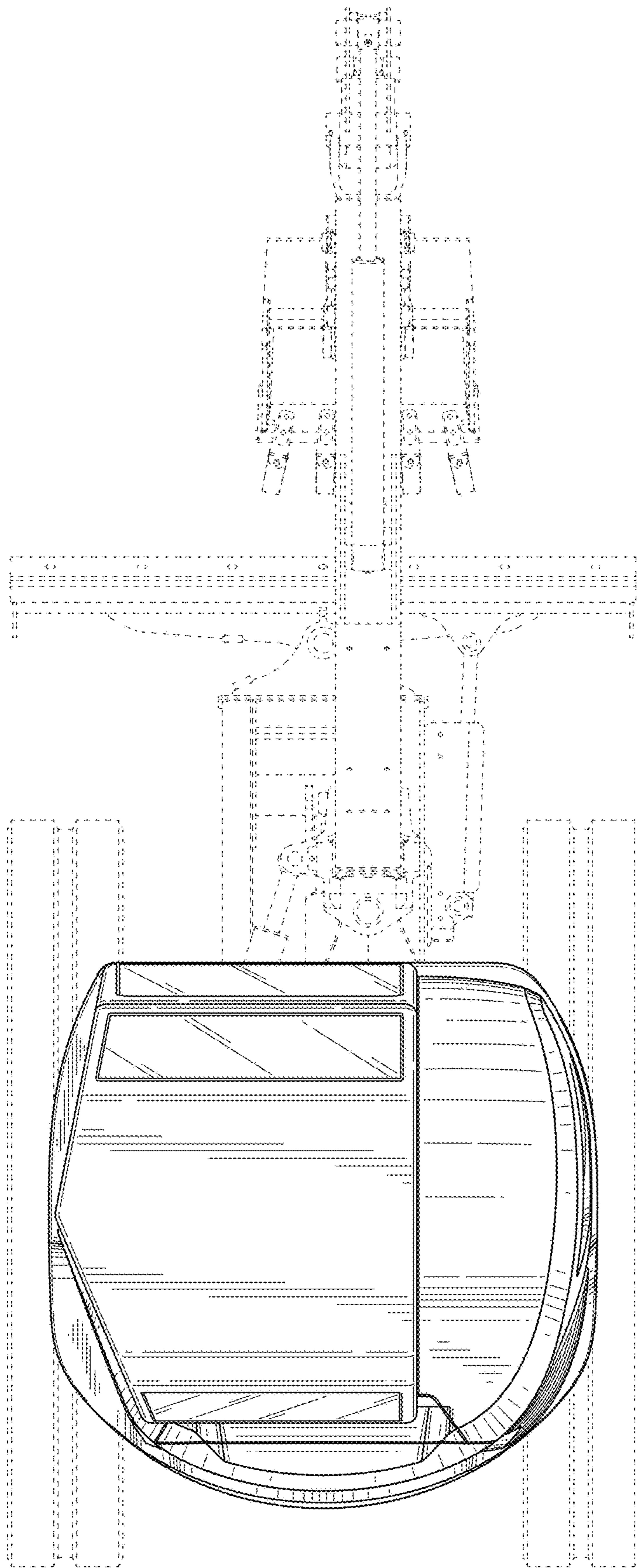


FIG. 6