



US00D776723S

(12) **United States Design Patent**
Pozzo

(10) **Patent No.:** **US D776,723 S**
(45) **Date of Patent:** **** Jan. 17, 2017**

- (54) **DRIVE FOR THE DRUM OF A CONCRETE MIXER**
- (71) Applicant: **PMP PRO-MEC S.P.A.**, Coseano (UD) (IT)
- (72) Inventor: **Luigino Pozzo**, Fagagna (IT)
- (73) Assignee: **PMP PRO-MEC S.P.A.**, Coseano (UD) (IT)
- (**) Term: **14 Years**
- (21) Appl. No.: **29/523,929**
- (22) Filed: **Apr. 15, 2015**
- (51) **LOC (10) Cl.** **15-03**
- (52) **U.S. Cl.**
USPC **D15/28**
- (58) **Field of Classification Search**
USPC ... D15/10-33; 366/40, 61, 136, 341, 18, 26, 366/44, 54, 53, 60, 110; 220/636, 669, 220/563, 23.87; 193/16, 22
CPC B28C 5/4268; B28C 5/2054; B28C 5/141; B28C 5/1862; B28C 5/1887; E01C 2019/1095; E01C 2019/1086; E01C 19/1027; B01F 7/04; B01F 2215/0047
See application file for complete search history.

(56) **References Cited**

U.S. PATENT DOCUMENTS

- RE18,768 E * 3/1933 Edland B01F 7/242
366/168.1
- D132,471 S * 5/1942 Peters 366/56
- D140,472 S * 2/1945 Bohmer 366/16
- 2,805,053 A * 9/1957 Smith B28C 5/4268
366/44
- D181,998 S * 1/1958 Prichard D12/1
- 3,218,045 A * 11/1965 Cox B28C 5/2045
366/39

- D219,171 S * 11/1970 Soldner D15/19
- 3,612,490 A * 10/1971 Bopp B28C 7/044
177/145
- 3,912,239 A * 10/1975 Ries B28C 5/4231
366/40
- 3,944,190 A * 3/1976 Dunmire B60P 3/16
366/26
- D249,665 S * 9/1978 Silbernagel D12/95
- 4,213,571 A * 7/1980 Deardorff B02C 13/288
241/101.8
- D256,800 S * 9/1980 Deen D15/19
- D271,875 S * 12/1983 Silbernagel D15/19
- 4,428,677 A * 1/1984 Schreiter, Jr. B60P 3/16
366/41
- D278,150 S * 3/1985 Burenga D15/19
- 4,544,275 A * 10/1985 Hudelmaier B28C 7/026
366/152.5
- D291,547 S * 8/1987 Silbernagel D12/95
- D299,722 S * 2/1989 Mehr D15/19
- D319,832 S * 9/1991 Ross D15/19
- 5,127,740 A * 7/1992 DeBoer B28C 7/0053
220/504
- 5,261,744 A * 11/1993 Brunn B01F 9/0001
366/217

(Continued)

Primary Examiner — Mark Goodwin
(74) *Attorney, Agent, or Firm* — Egbert Law Offices, PLLC

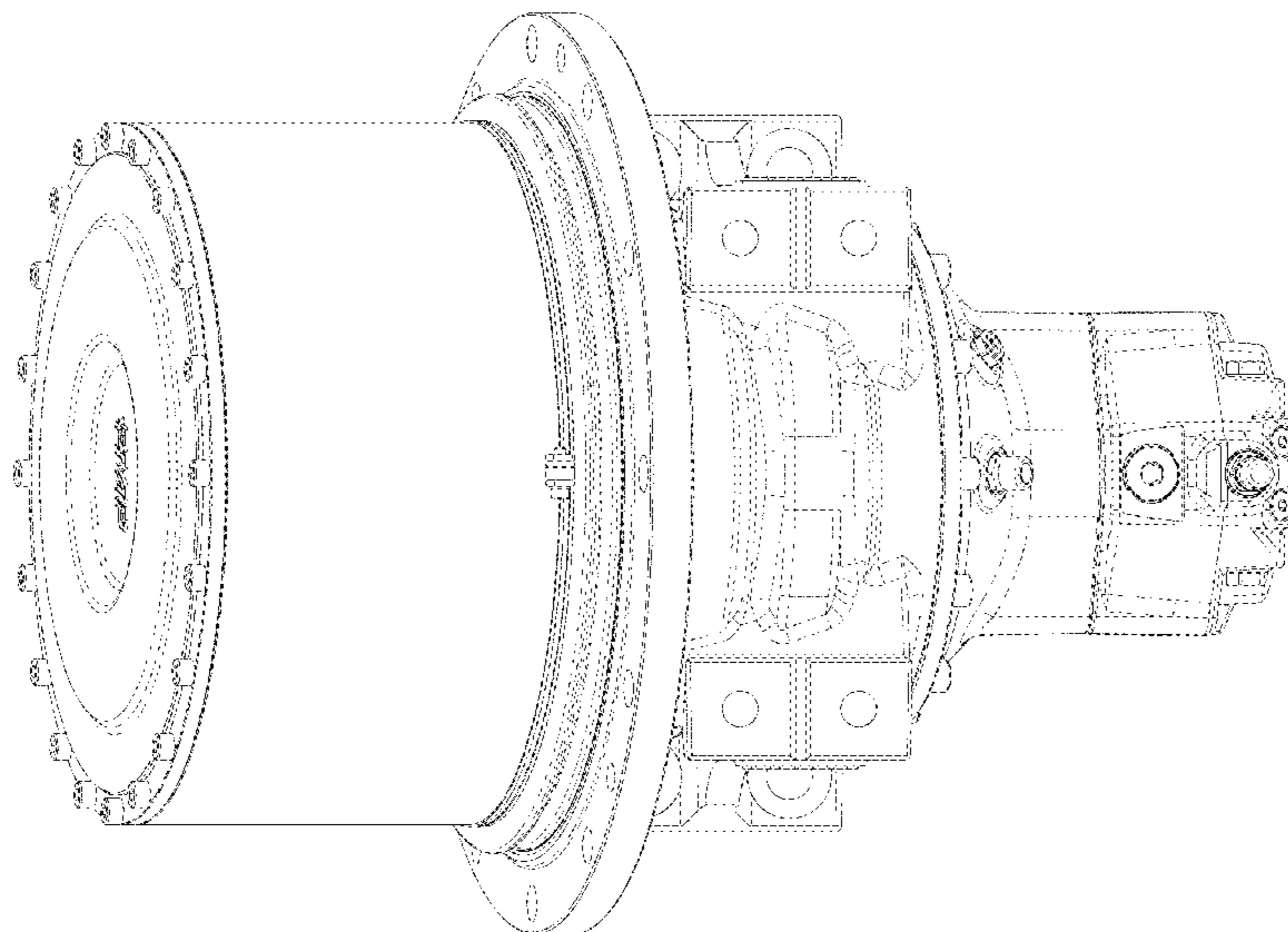
(57) **CLAIM**

The ornamental design for a drive for the drum of a concrete mixer, as shown and described.

DESCRIPTION

FIG. 1 is a front perspective view of a drive for the drum of a concrete mixer showing my new design. FIG. 2 is a side view thereof, an opposite side view being a mirror image thereof; and, FIG. 3 is a rear perspective view thereof. The bottom view forms no part of the claimed design.

1 Claim, 3 Drawing Sheets



(56)

References Cited

U.S. PATENT DOCUMENTS

D354,289 S * 1/1995 Fortenberry D15/19
5,609,417 A * 3/1997 Otte B01F 5/0256
366/137
5,868,494 A * 2/1999 Campbell B01F 9/02
366/232
D423,409 S * 4/2000 Silbernagel D12/14
D477,331 S * 7/2003 Tsai D15/19
7,896,538 B2 * 3/2011 Wright B28C 5/4213
180/53.4
D737,866 S * 9/2015 Datema D15/28
D760,807 S * 7/2016 Sutton D15/10
2014/0269146 A1 * 9/2014 Harris B28C 5/4213
366/44
2015/0174788 A1 * 6/2015 Pirri B28C 5/421
366/60

* cited by examiner

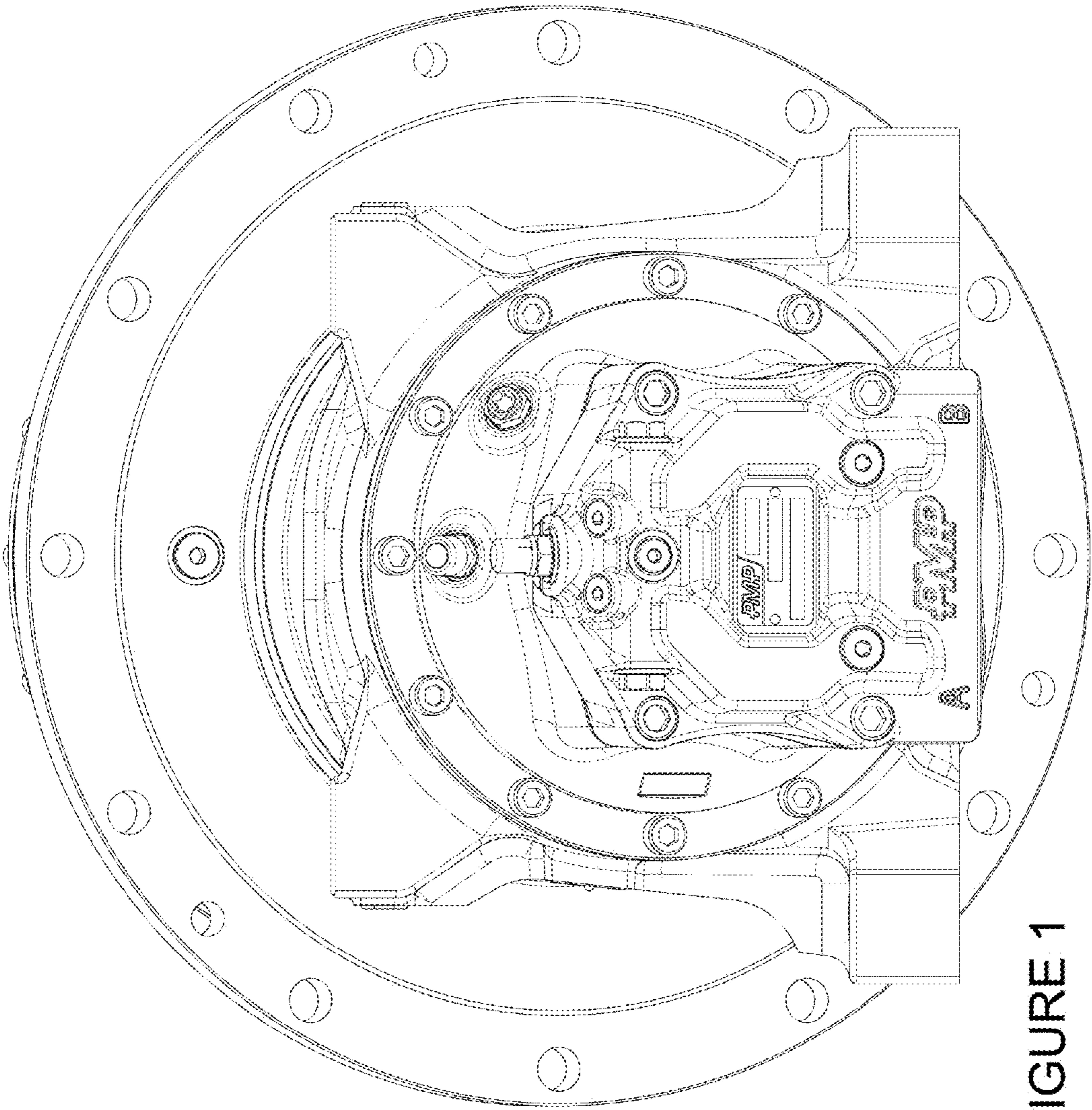


FIGURE 1

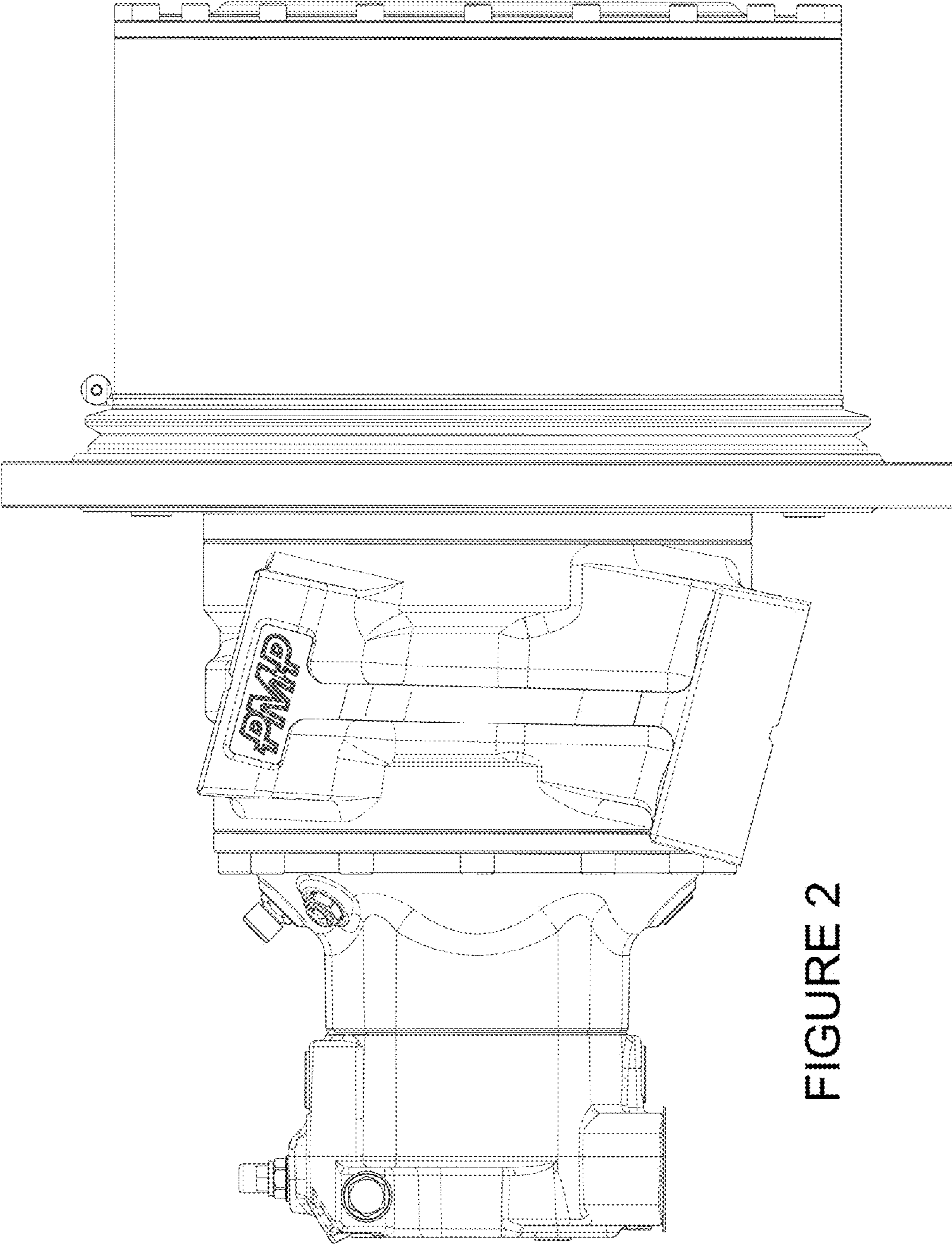


FIGURE 2

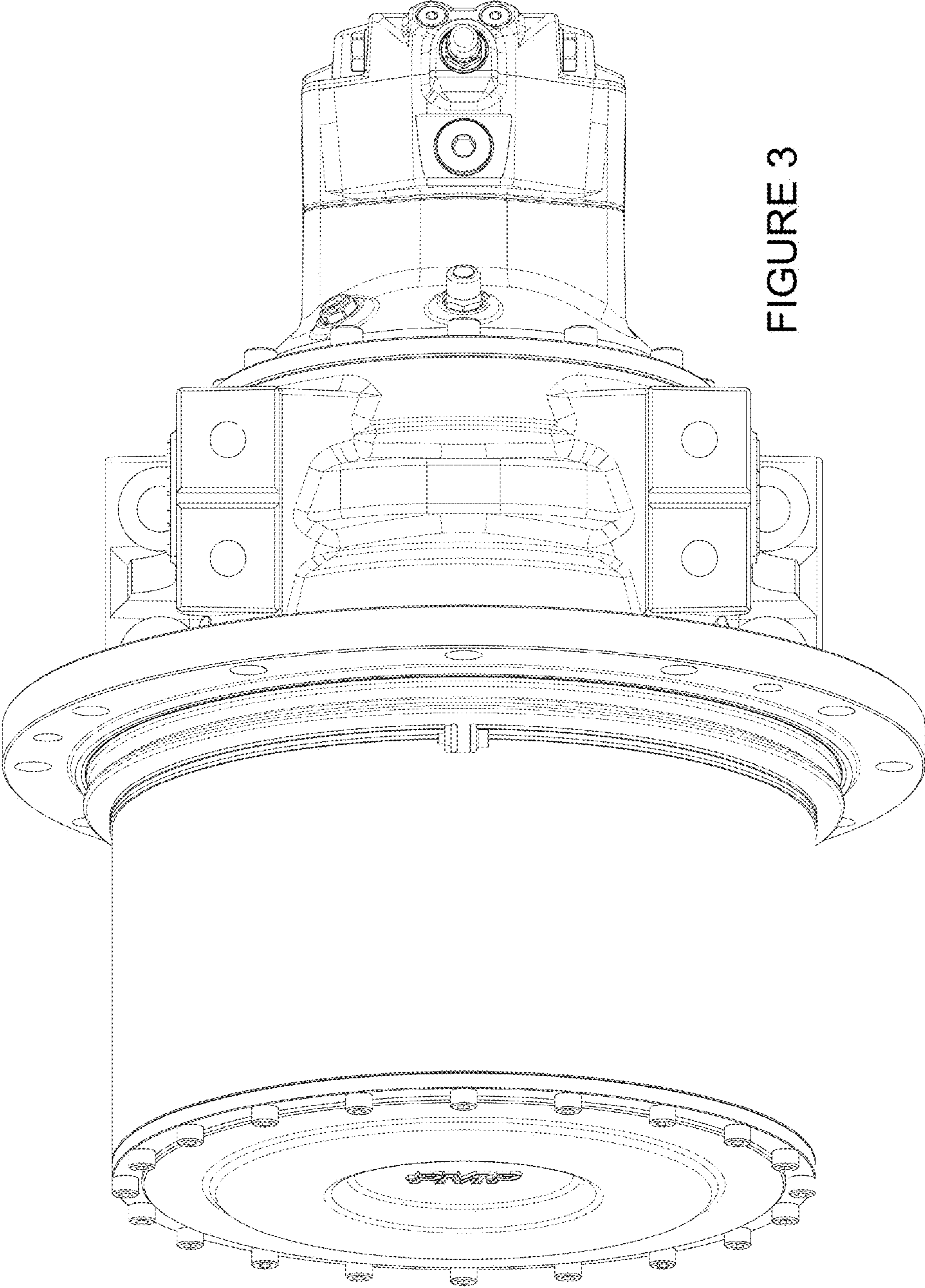


FIGURE 3