



US00D776722S

(12) **United States Design Patent**  
**Weaver et al.**

(10) **Patent No.:** **US D776,722 S**  
(45) **Date of Patent:** **\*\* Jan. 17, 2017**

- (54) **GOLD PAN**
- (71) Applicants: **Brent C. Weaver**, Heath, TX (US);  
**Anthony H. Tran**, Plano, TX (US)
- (72) Inventors: **Brent C. Weaver**, Heath, TX (US);  
**Anthony H. Tran**, Plano, TX (US)
- (73) Assignee: **Garrett Electronics, Inc.**, Garland, TX  
(US)
- (\*\*) Term: **15 Years**

3,855,119 A	12/1974	Stephenson	
4,162,969 A	7/1979	Lagal	
4,289,241 A *	9/1981	Litrap	B03B 5/02 209/44
4,319,994 A	3/1982	Morgan	
D268,588 S *	4/1983	Cubbison	D15/147
D289,269 S	4/1987	Fleckenstein	
4,671,868 A	6/1987	Ottrok	
5,190,158 A	3/1993	Remias	
5,447,239 A *	9/1995	Tubbs, Jr.	B03B 5/74 209/434
5,667,076 A	9/1997	Rosman	
5,788,293 A *	8/1998	Krenzler	B03B 5/74 209/434

(Continued)

- (21) Appl. No.: **29/556,653**
- (22) Filed: **Mar. 2, 2016**
- (51) **LOC (10) Cl.** ..... **15-03**
- (52) **U.S. Cl.**  
USPC ..... **D15/21; D15/147**
- (58) **Field of Classification Search**  
USPC . D15/21, 147; 209/447, 48, 178, 49; 138/89  
CPC ..... B07B 1/02; B07B 1/00; B03B 5/00;  
B03B 5/26; B03B 5/02; B03B 5/06; B03B  
7/00; C22B 11/00  
See application file for complete search history.

(56) **References Cited**

**U.S. PATENT DOCUMENTS**

634,120 A *	10/1899	Moore	B03B 5/02 209/447
646,382 A	3/1900	Collins	
1,419,405 A *	6/1922	Ord	B03B 5/02 209/447
1,444,752 A *	2/1923	Ord	B03B 5/02 209/447
1,948,797 A *	2/1934	Nicolai	B03B 5/02 209/275
1,966,359 A *	7/1934	Ryan	B03B 5/26 209/447
1,972,645 A *	9/1934	Danills	B03B 5/02 209/447

**OTHER PUBLICATIONS**

Garrett Electronics, Inc., "The Sport of Treasure Hunting" product catalog, PN1540115.A (Jan. 2015), pp. 37-39.

*Primary Examiner* — Mark Goodwin  
(74) *Attorney, Agent, or Firm* — Dan Brown Law Office; Daniel R. Brown

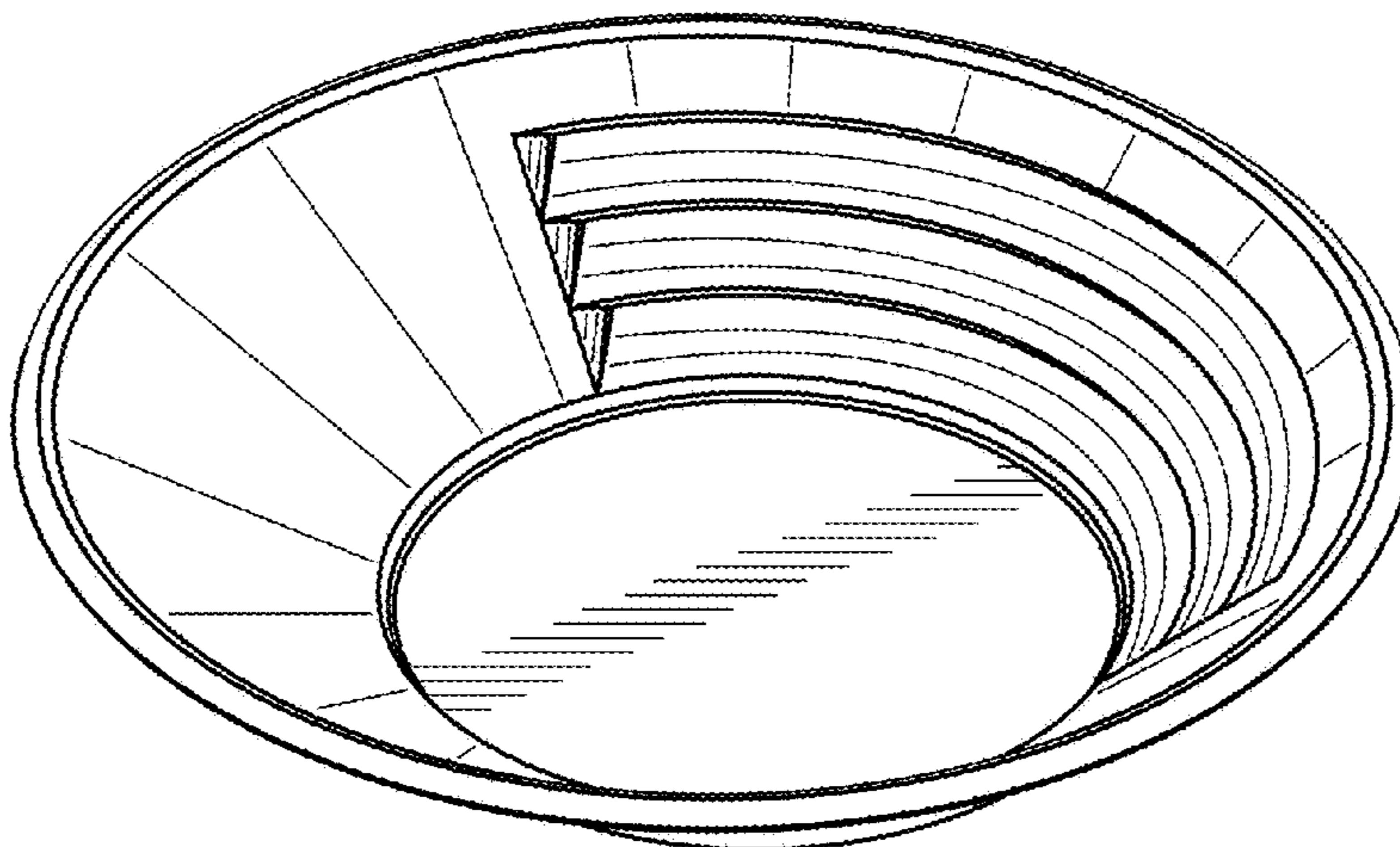
(57) **CLAIM**

We claim, the ornamental design for a gold pan, as shown and described.

**DESCRIPTION**

FIG. 1 is a top perspective view of a gold pan showing our new design;  
FIG. 2 is a bottom perspective view thereof;  
FIG. 3 is a top view thereof;  
FIG. 4 is a side sectional view thereof taken along line 4-4 of FIG. 3;  
FIG. 5 is a side view thereof;  
FIG. 6 is a bottom perspective view thereof;  
FIG. 7 is a bottom view thereof; and,  
FIG. 8 is an end view thereof.

**1 Claim, 4 Drawing Sheets**



(56)

**References Cited**

U.S. PATENT DOCUMENTS

6,095,342	A *	8/2000	Ashcraft .....	B03B 5/02 209/447
D475,727	S	6/2003	Kelava	
8,113,355	B1 *	2/2012	Peterson .....	B03B 5/02 209/235
D663,749	S	7/2012	Evans	
D728,630	S *	5/2015	Vetter .....	D15/21
D757,142	S *	5/2016	Pung .....	D15/147
2013/0213862	A1 *	8/2013	Peterson .....	B07B 1/4681 209/235

\* cited by examiner

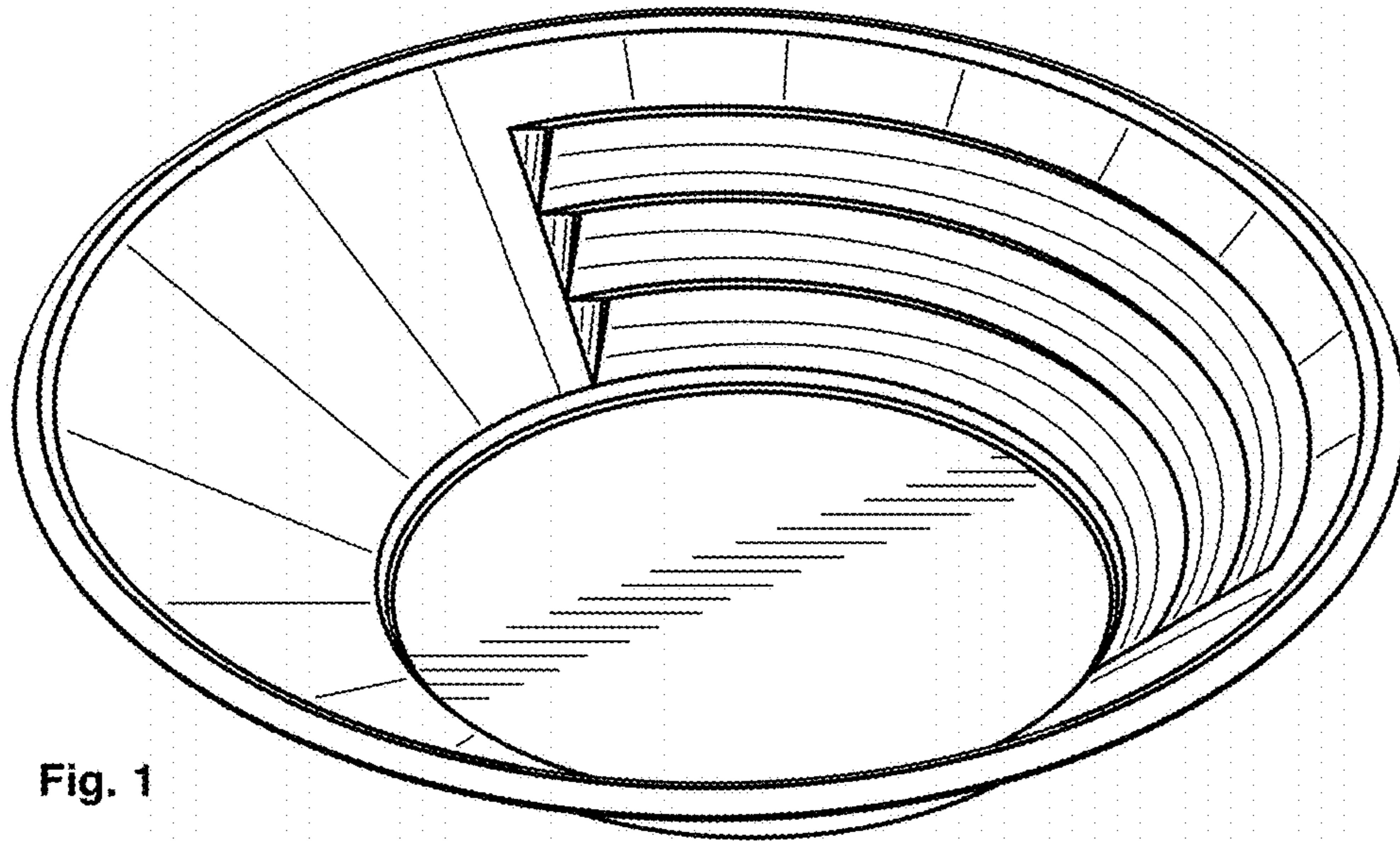


Fig. 1

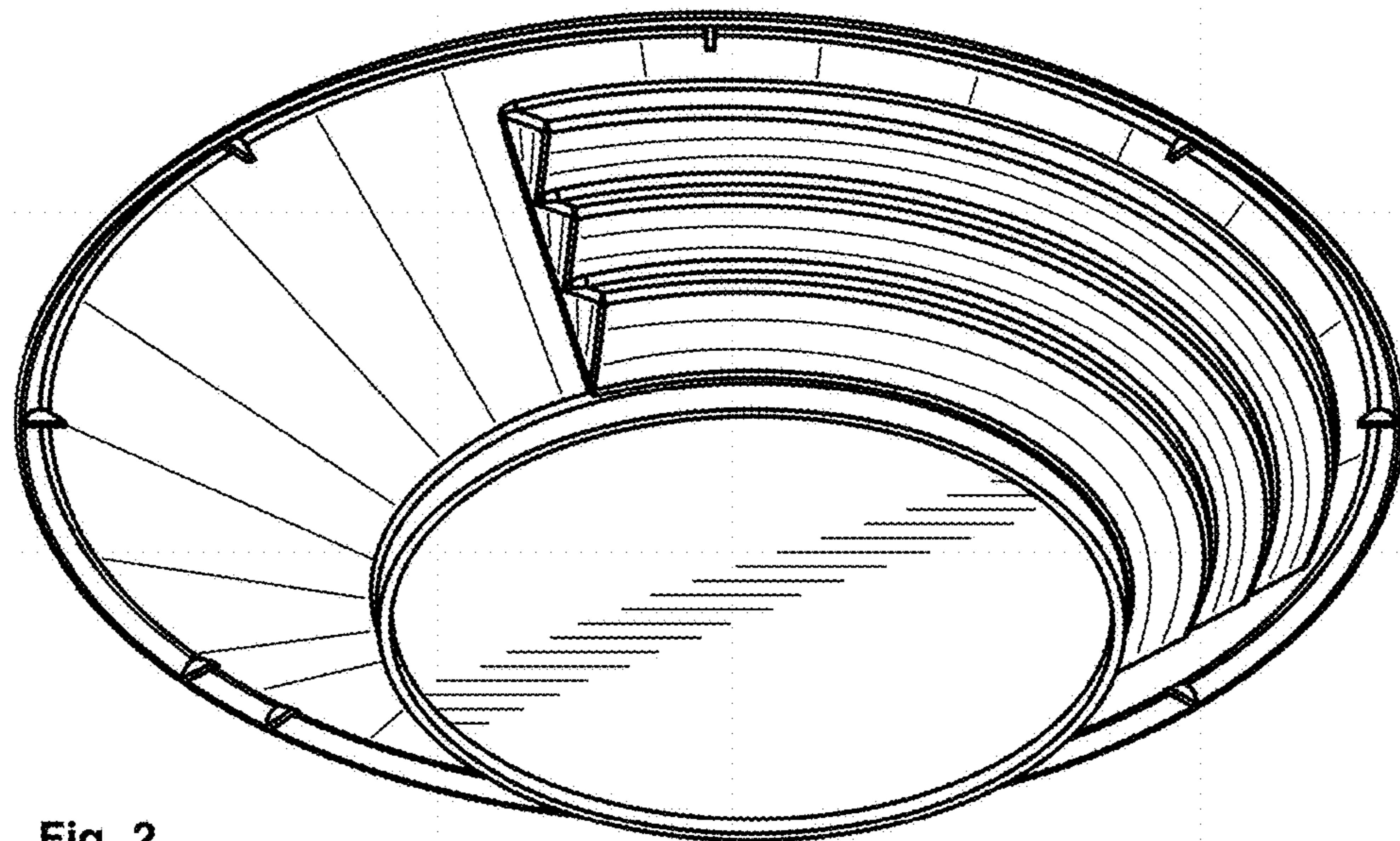


Fig. 2

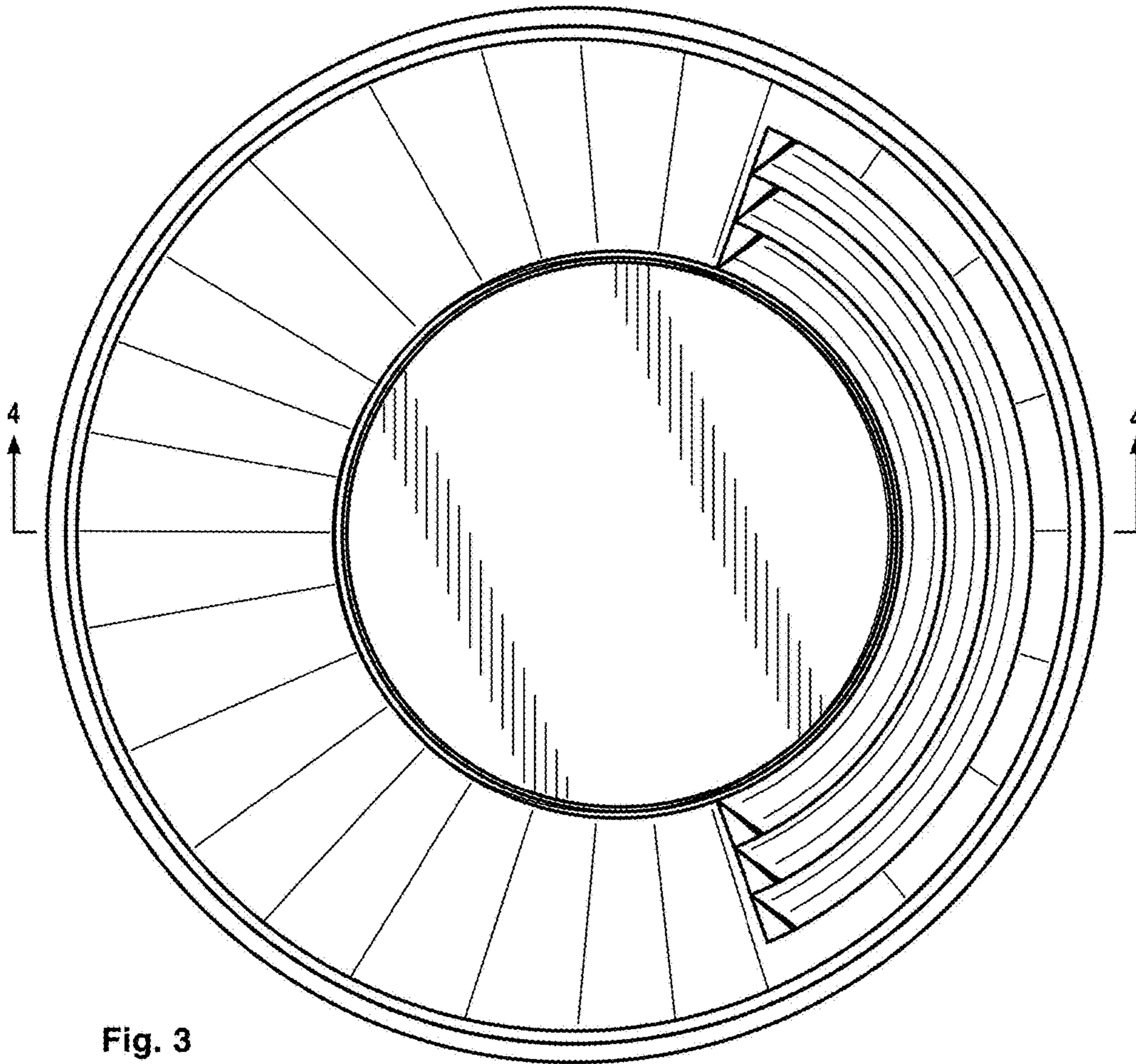


Fig. 3

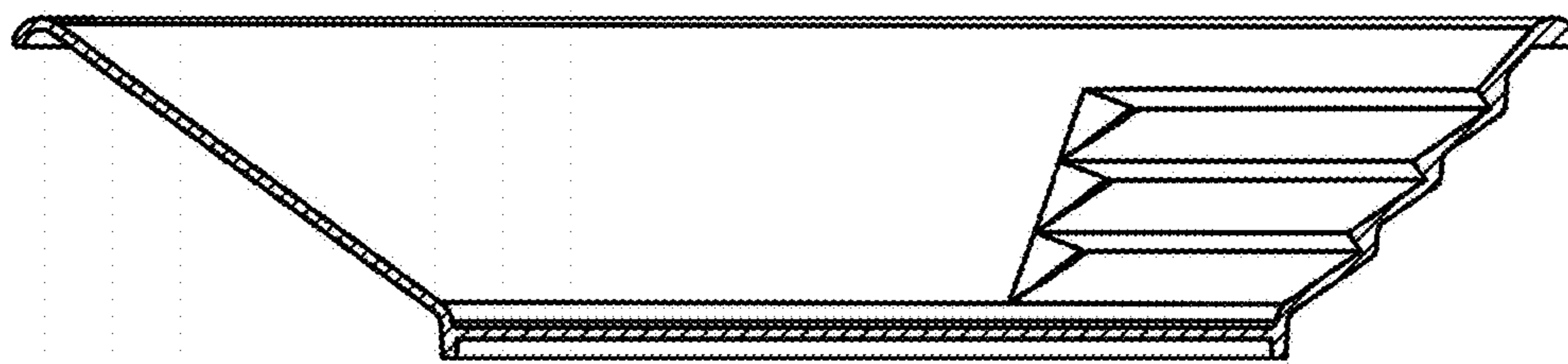


Fig. 4

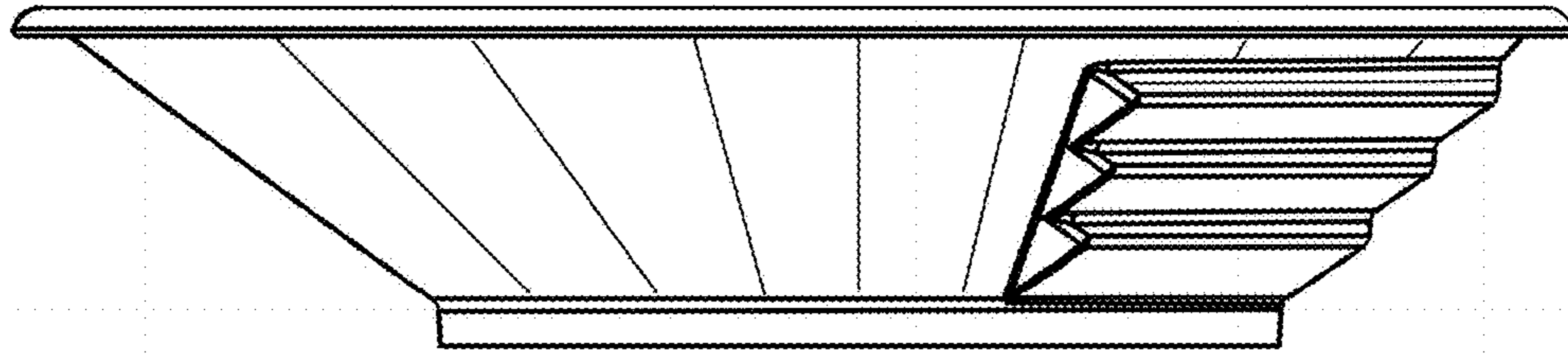


Fig. 5

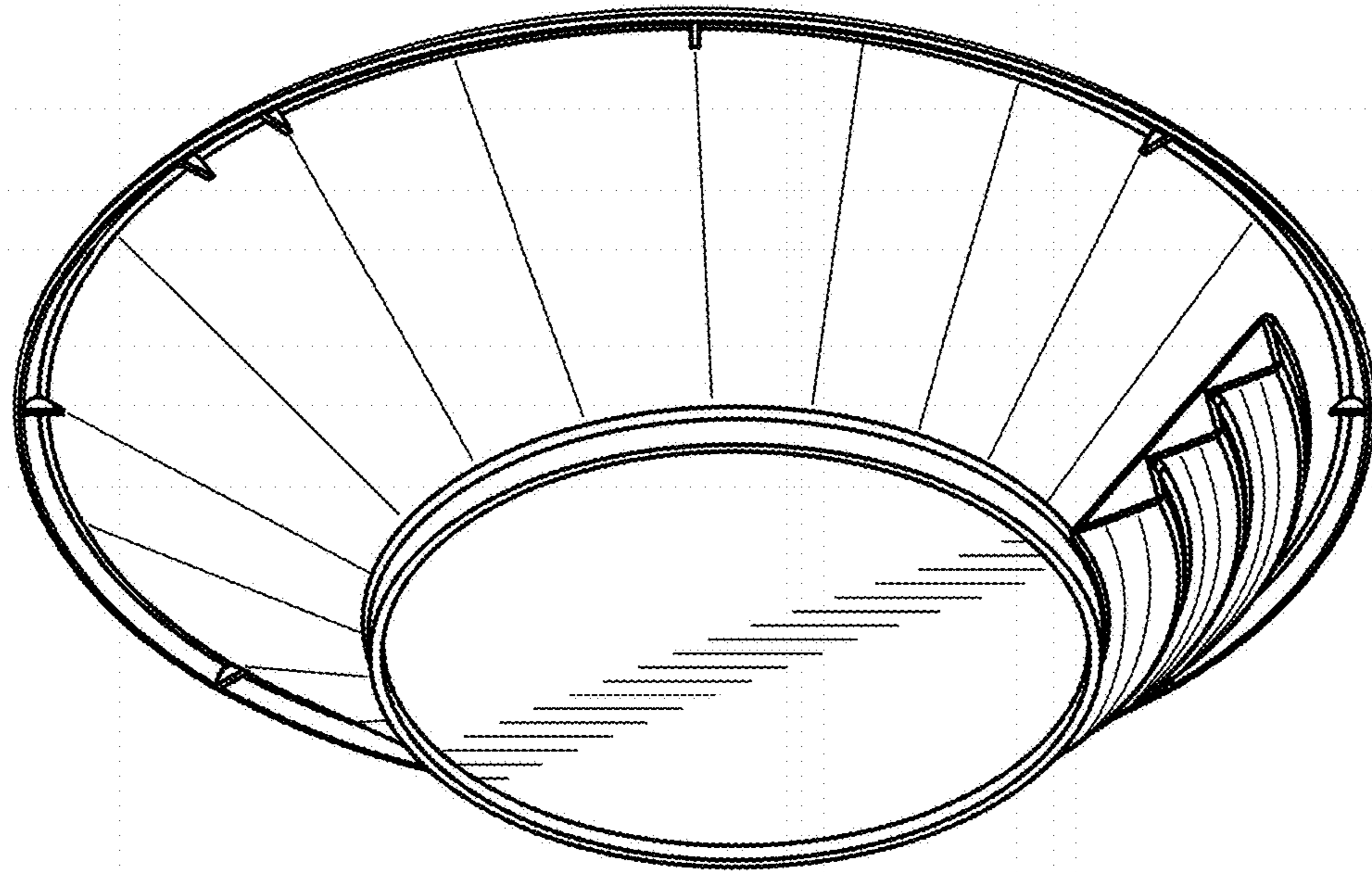


Fig. 6

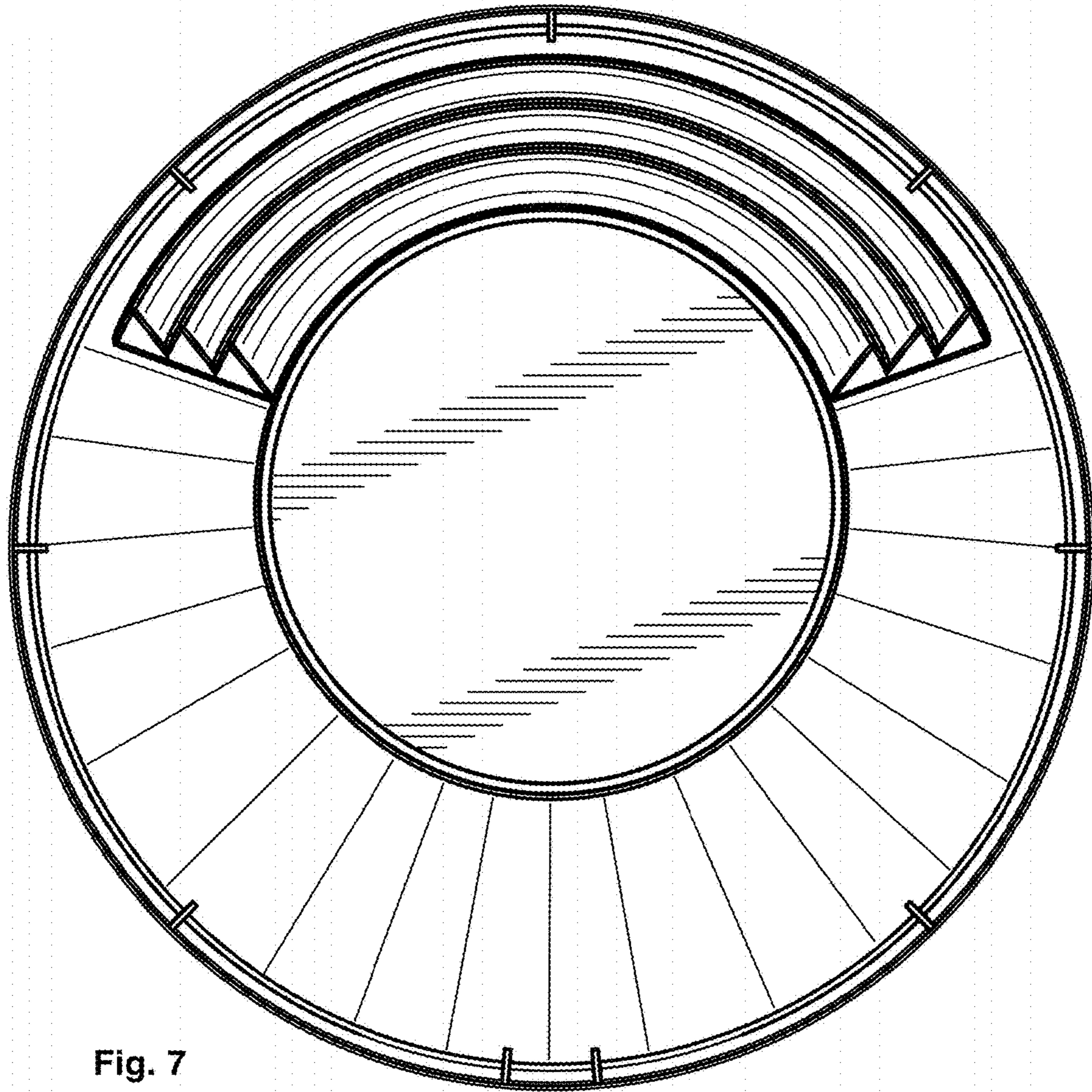


Fig. 7

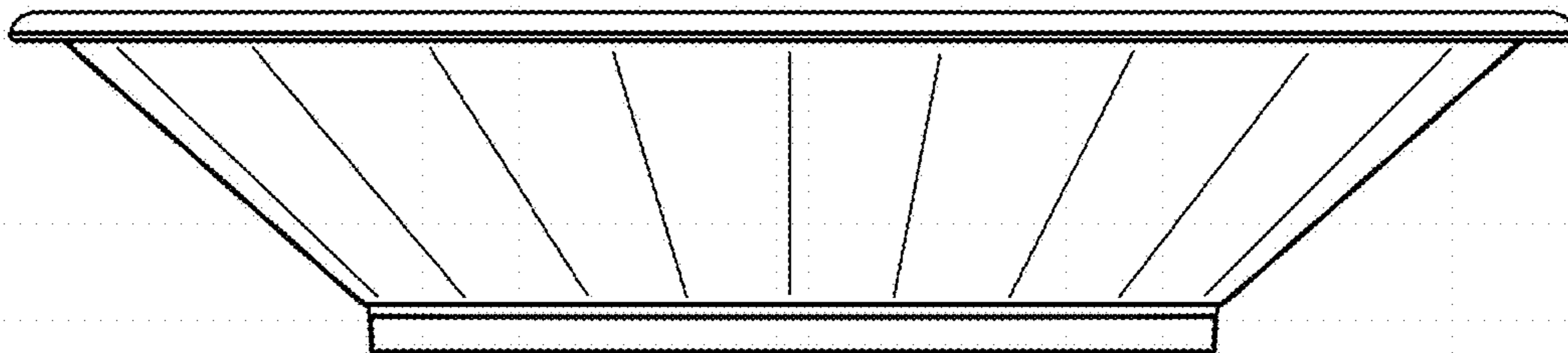


Fig. 8