



US00D776720S

(12) **United States Design Patent** (10) **Patent No.:** **US D776,720 S**
Davalos et al. (45) **Date of Patent:** **** Jan. 17, 2017**

(54) **PUMP HOUSING**

(56) **References Cited**

(71) Applicant: **Karcher North America, Inc.**, Denver, CO (US)

U.S. PATENT DOCUMENTS

(72) Inventors: **Pedro Martinez Davalos**, Monterrey (MX); **Gabriel de la Rosa Esparza**, San Nicolas de los Garza (MX); **Josue Daniel Perez Barrientos**, Guadalupe (MX); **Gerardo Angel Gonzalez Chapa**, Camas, WA (US); **John Philip Fortes**, Vancouver, WA (US); **Paul Linton**, Camas, WA (US)

D354,495 S *	1/1995	Tojo	D15/7
5,793,134 A	8/1998	Worm	
D532,793 S	11/2006	Reverberi et al.	
D591,311 S *	4/2009	Tojo	D15/7
D604,330 S *	11/2009	Duong	D15/7
7,611,337 B2	11/2009	Reverberi et al.	
7,658,597 B2	2/2010	Rocchi et al.	
D634,664 S *	3/2011	DaRif	D15/7
D670,312 S *	11/2012	Alexander	D15/7
D691,638 S *	10/2013	Alexander	D15/7
D699,762 S *	2/2014	Alexander	D15/7
D719,192 S *	12/2014	Schlenker	D15/7
2002/0006340 A1	1/2002	Nathan	

(73) Assignee: **Kärcher North America, Inc.**, Denver, CO (US)

* cited by examiner

(**) Term: **15 Years**

Primary Examiner — Ralf Seifert

(74) *Attorney, Agent, or Firm* — Sheridan Ross P.C.

(21) Appl. No.: **29/531,437**

(57) **CLAIM**

The ornamental design for a pump housing, as shown and described.

(22) Filed: **Jun. 25, 2015**

DESCRIPTION

(51) **LOC (10) Cl.** **15-02**

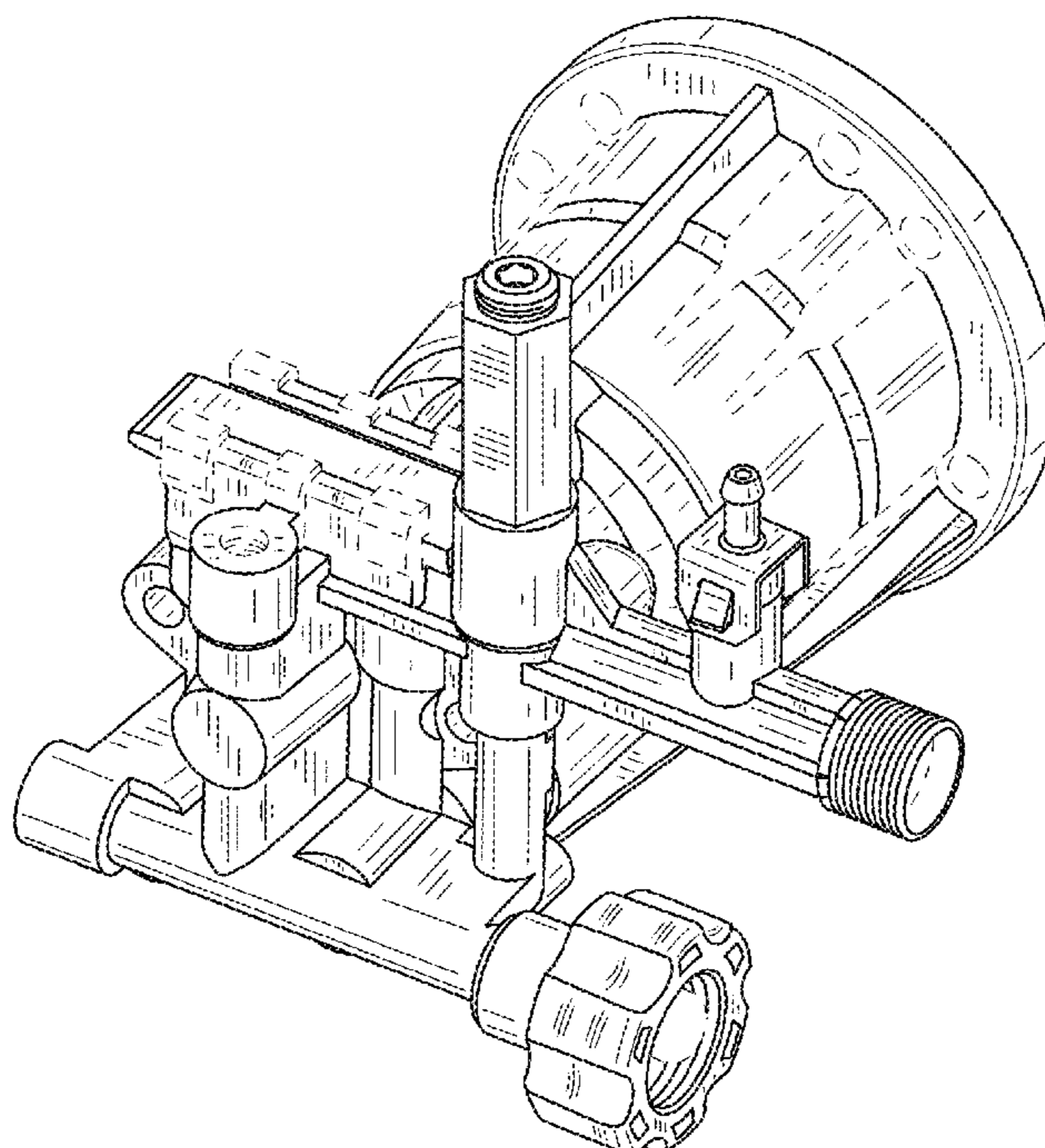
(52) **U.S. Cl.**
USPC **D15/7**

(58) **Field of Classification Search**
USPC D15/7-9; D23/231, 232, 225; 417/60, 417/235, 265, 321, 355, 358, 363, 359, 417/410.1, 415-416, 405, 900, 269, 539; 60/408, 412; 184/26-37; 415/140-147; 123/495, 509; 137/565.34
CPC F02M 37/04; F02M 37/14; F04B 53/92; F04B 1/005

FIG. 1 is a front perspective view of the pump housing; FIG. 2 is a front elevation view thereof; FIG. 3 is a rear elevation view thereof; FIG. 4 is a right elevation view thereof; FIG. 5 is a left elevation view thereof; FIG. 6 is a top plan view thereof; and, FIG. 7 is a bottom plan view thereof. The broken lines are included for the purpose of illustrating portions of the pump housing that form no part of the claimed design.

See application file for complete search history.

1 Claim, 7 Drawing Sheets



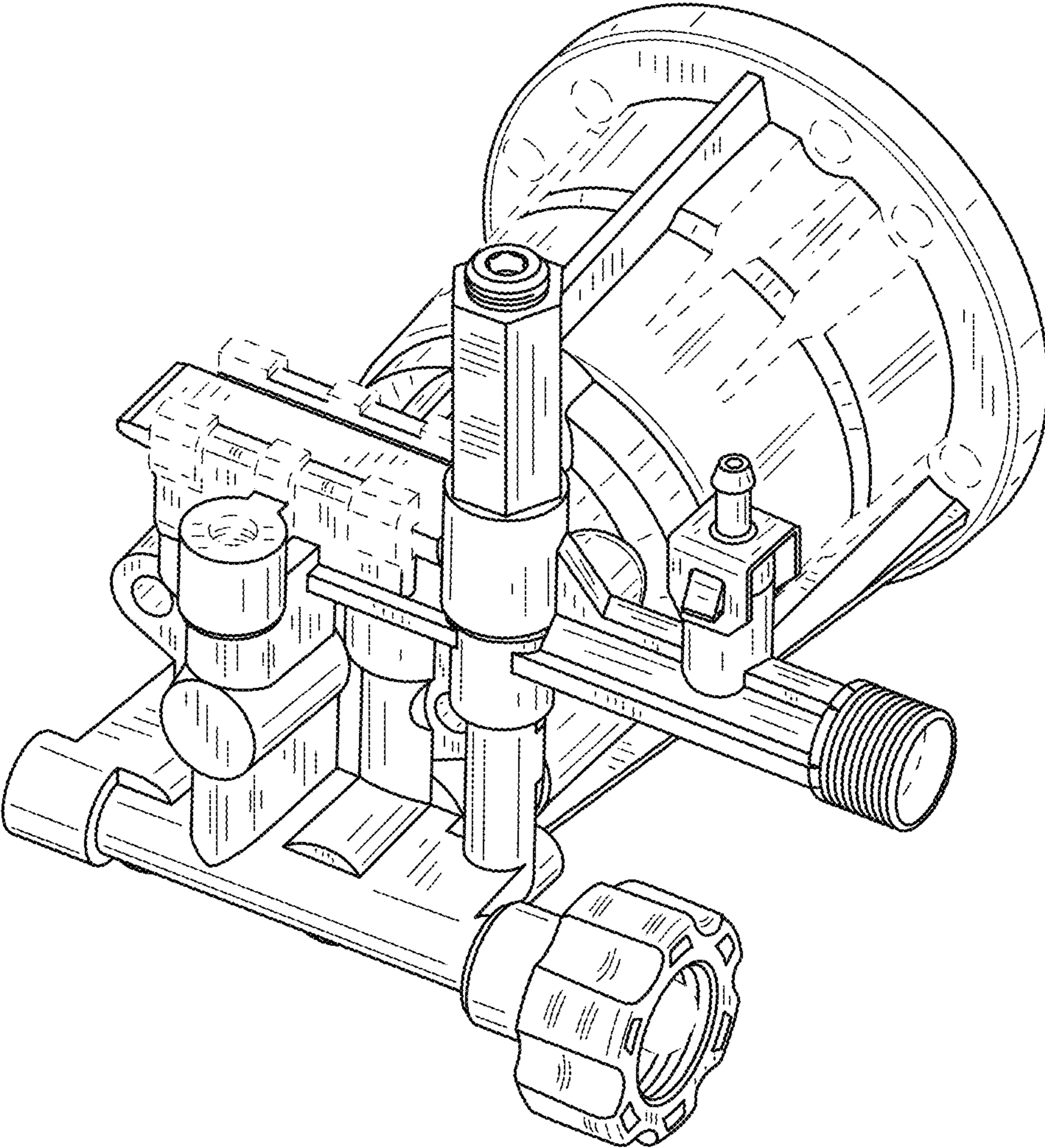


FIG.1

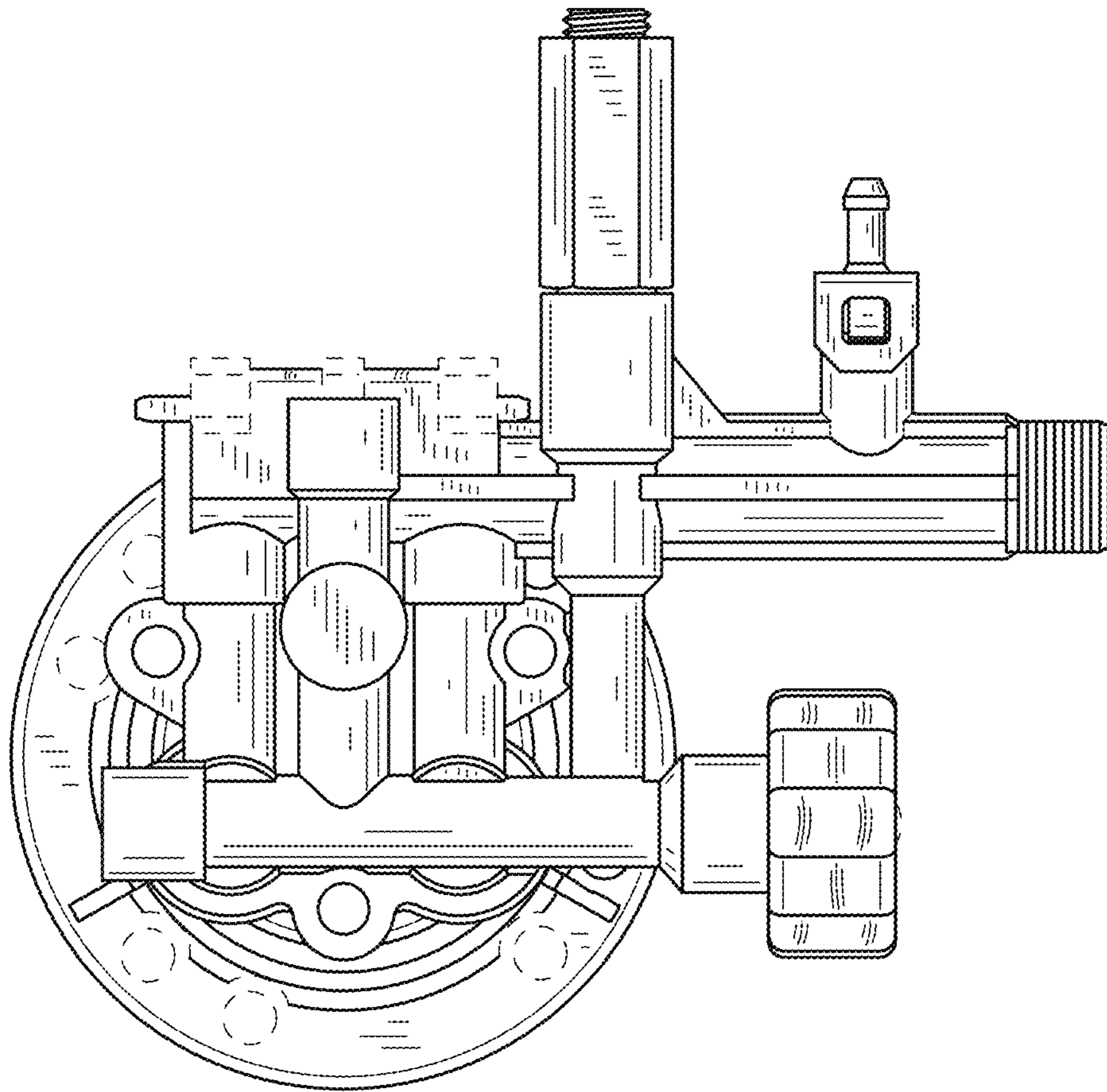


FIG.2

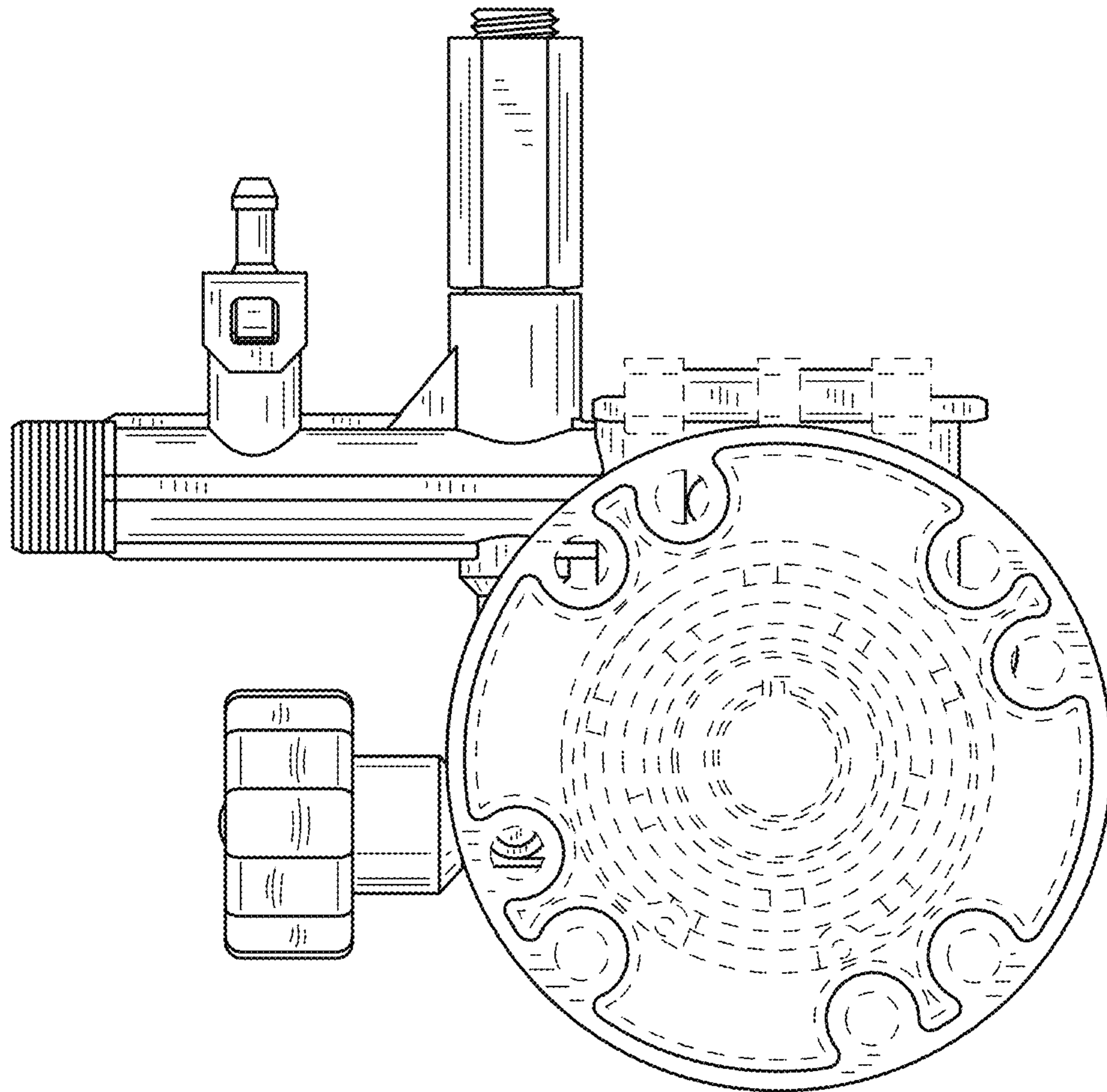


FIG.3

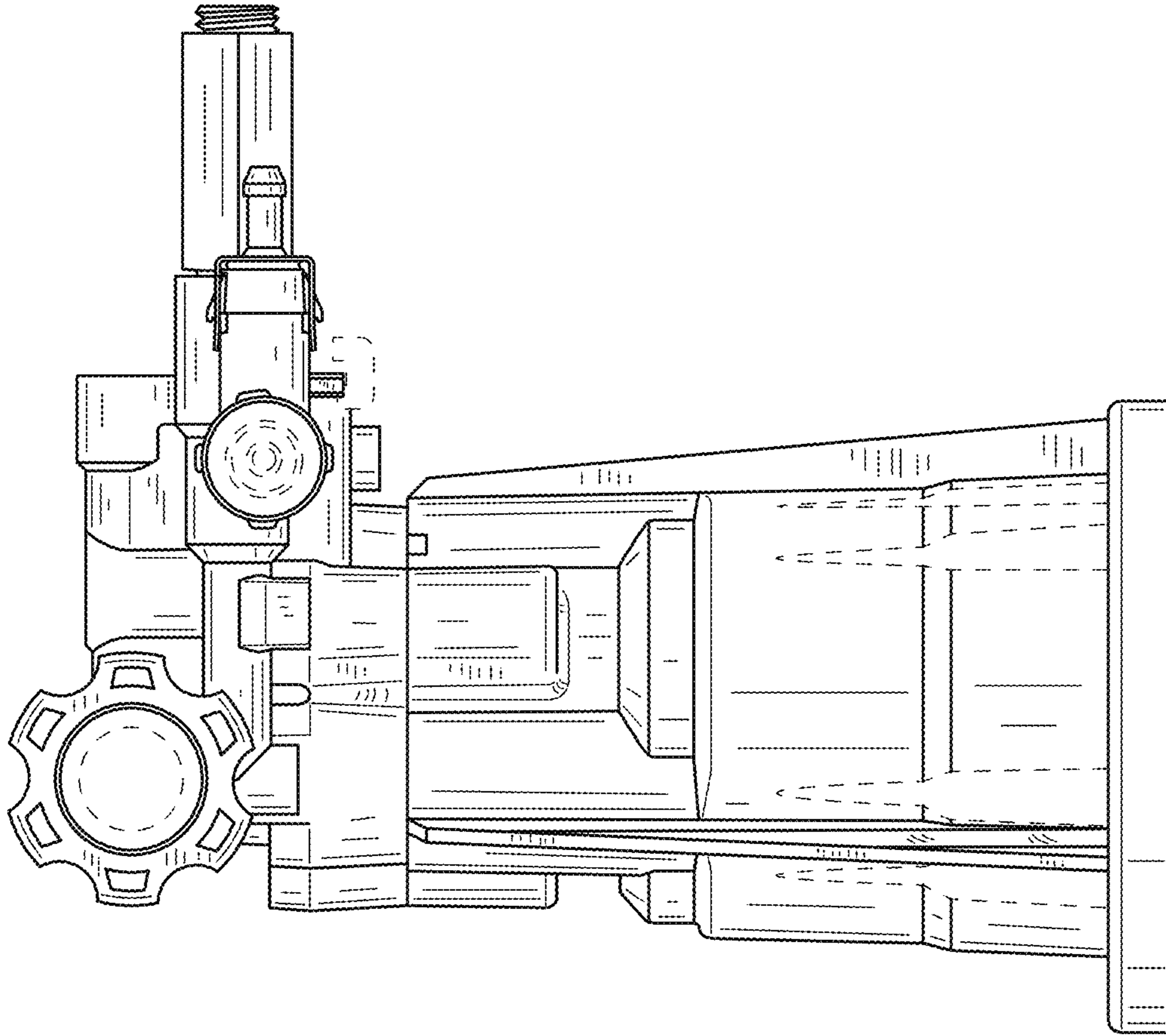


FIG.4

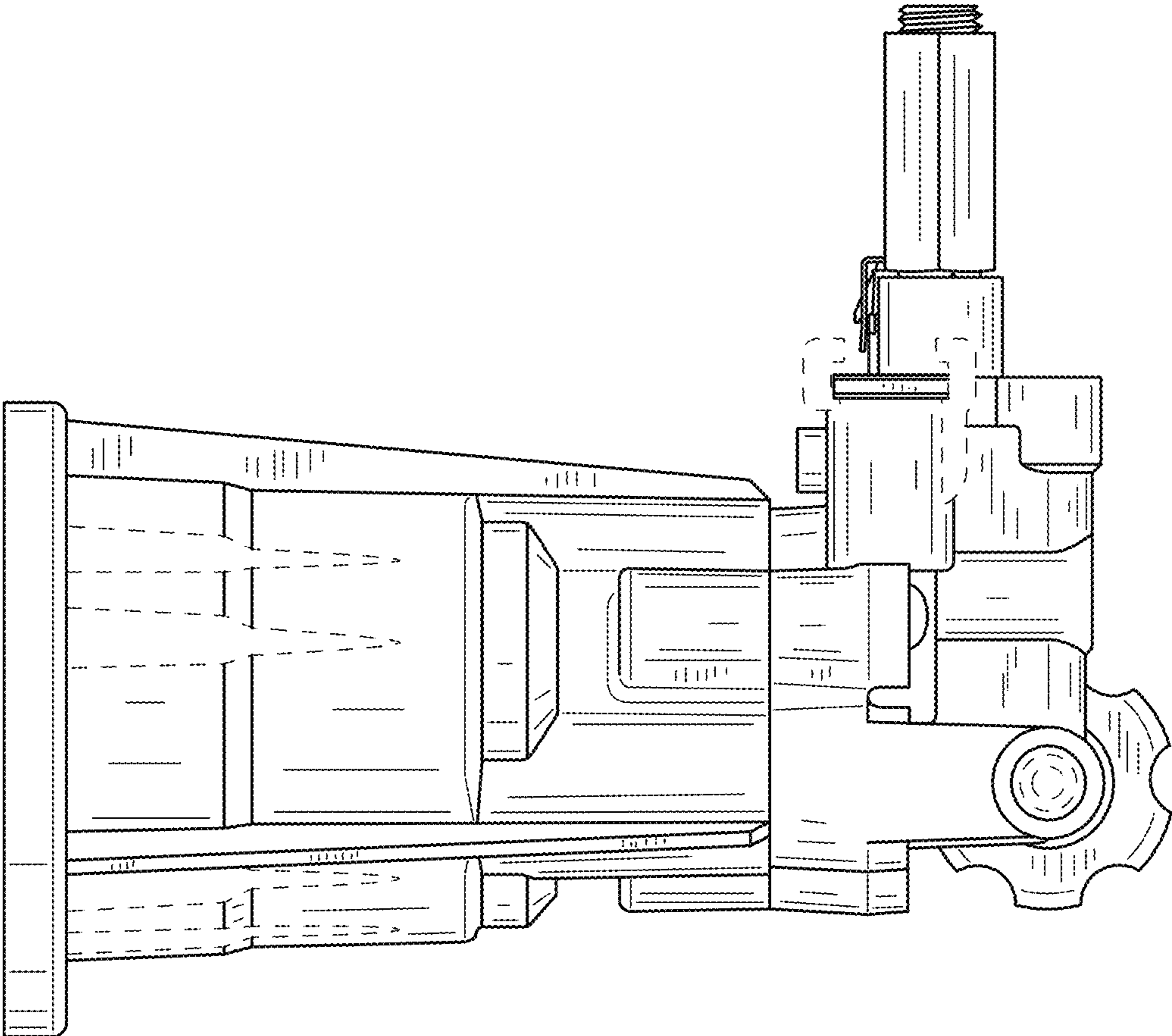


FIG.5

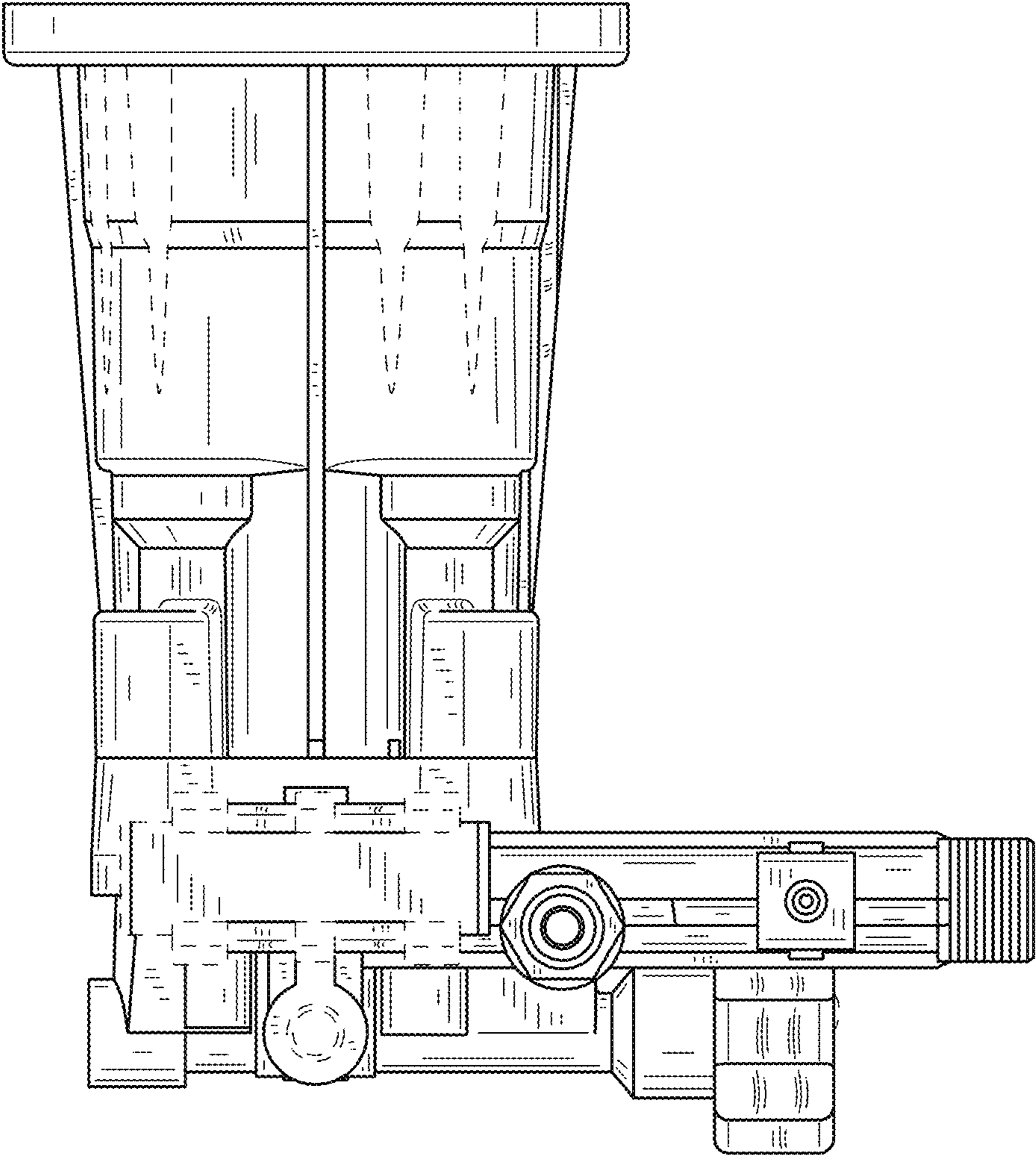


FIG.6

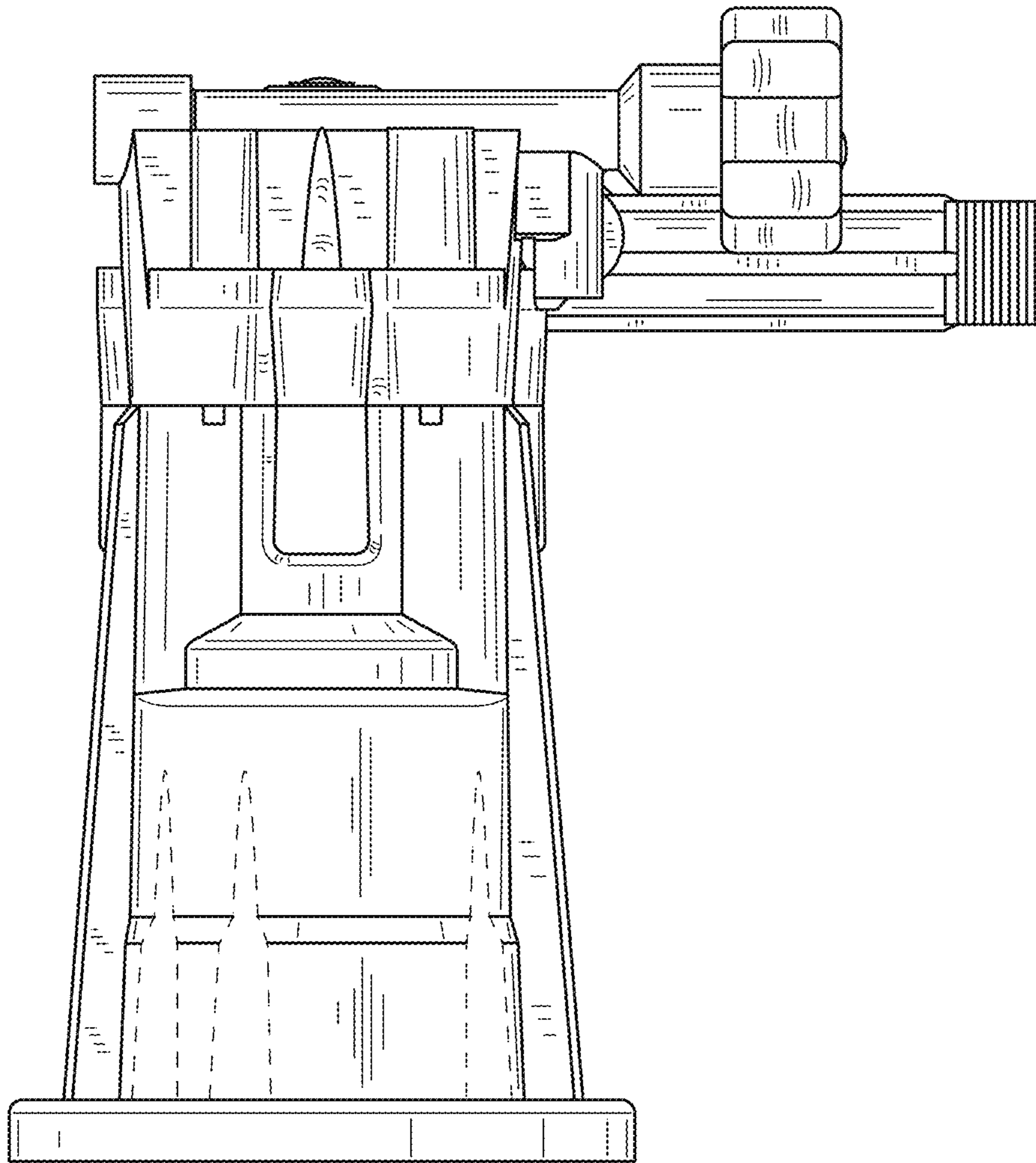


FIG. 7