



US00D776701S

(12) **United States Design Patent**
Huang et al.

(10) **Patent No.:** **US D776,701 S**
(45) **Date of Patent:** **** Jan. 17, 2017**

(54) **PORTION OF A DISPLAY SCREEN WITH ANIMATED GRAPHICAL USER INTERFACE**

(71) Applicant: **Tencent Technology (Shenzhen) Company Limited**, Shenzhen, Guangdong (CN)

(72) Inventors: **Daxi Huang**, Guangdong (CN); **Wei Wang**, Guangdong (CN); **Suhyun Lee**, Guangdong (CN)

(73) Assignee: **Tencent Technology (Shenzhen) Company Limited** (CN)

(**) Term: **15 Years**

(21) Appl. No.: **29/544,778**

(22) Filed: **Nov. 6, 2015**

(30) **Foreign Application Priority Data**

Jul. 28, 2015 (CN) 2015 3 0276755

(51) **LOC (10) Cl.** **14-04**

(52) **U.S. Cl.**
USPC **D14/486**

(58) **Field of Classification Search**
USPC D14/485–495
CPC G06F 3/0482; G06F 3/04842; G06F 3/04883;
G06F 2203/04807; H04M 1/2477
See application file for complete search history.

(56) **References Cited**

U.S. PATENT DOCUMENTS

D594,015 S * 6/2009 Singh D14/486
D595,727 S * 7/2009 Koes D14/485
D644,243 S * 8/2011 Matas D14/489
D644,658 S * 9/2011 Lemay D14/492

D682,298 S * 5/2013 DiJulio D14/487
D682,875 S * 5/2013 Frijlink D14/488
D686,221 S * 7/2013 Brinda D14/486
D688,690 S * 8/2013 Garn D14/488
D709,901 S * 7/2014 Landis D14/486
D714,816 S * 10/2014 Varon D14/486
D715,833 S * 10/2014 Rebstock D14/488
D739,864 S * 9/2015 Kang D14/486
D748,118 S * 1/2016 Heeter D14/486
D754,187 S * 4/2016 Kim D14/488
D758,398 S * 6/2016 Yu D14/486
D759,109 S * 6/2016 Pal D14/486
D760,751 S * 7/2016 Lee D14/486
D760,768 S * 7/2016 Um D14/488
D762,670 S * 8/2016 Harvell D14/485

* cited by examiner

Primary Examiner — Karen Kearney
Assistant Examiner — Katherine Holbrow
(74) *Attorney, Agent, or Firm* — Design IP

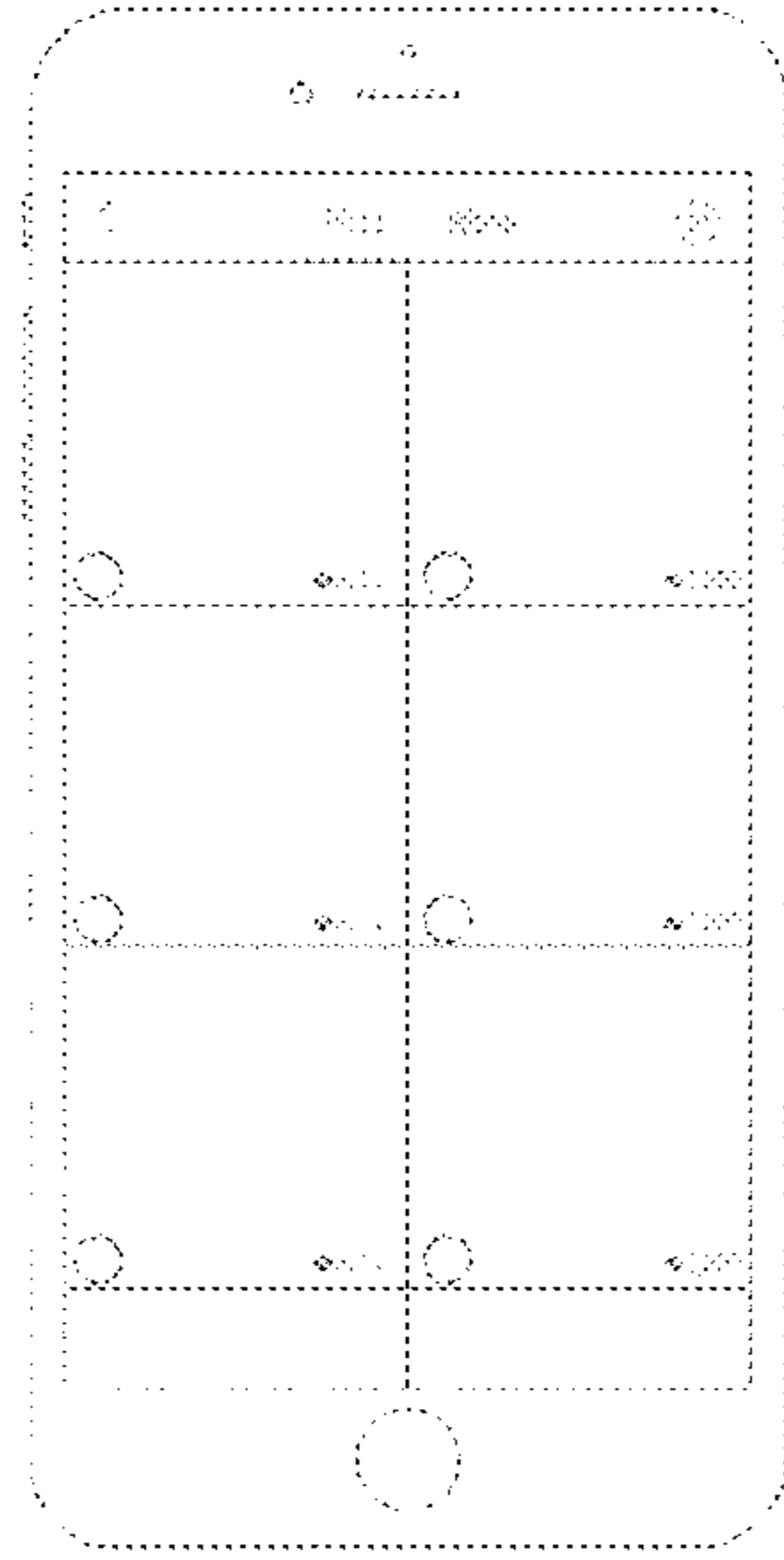
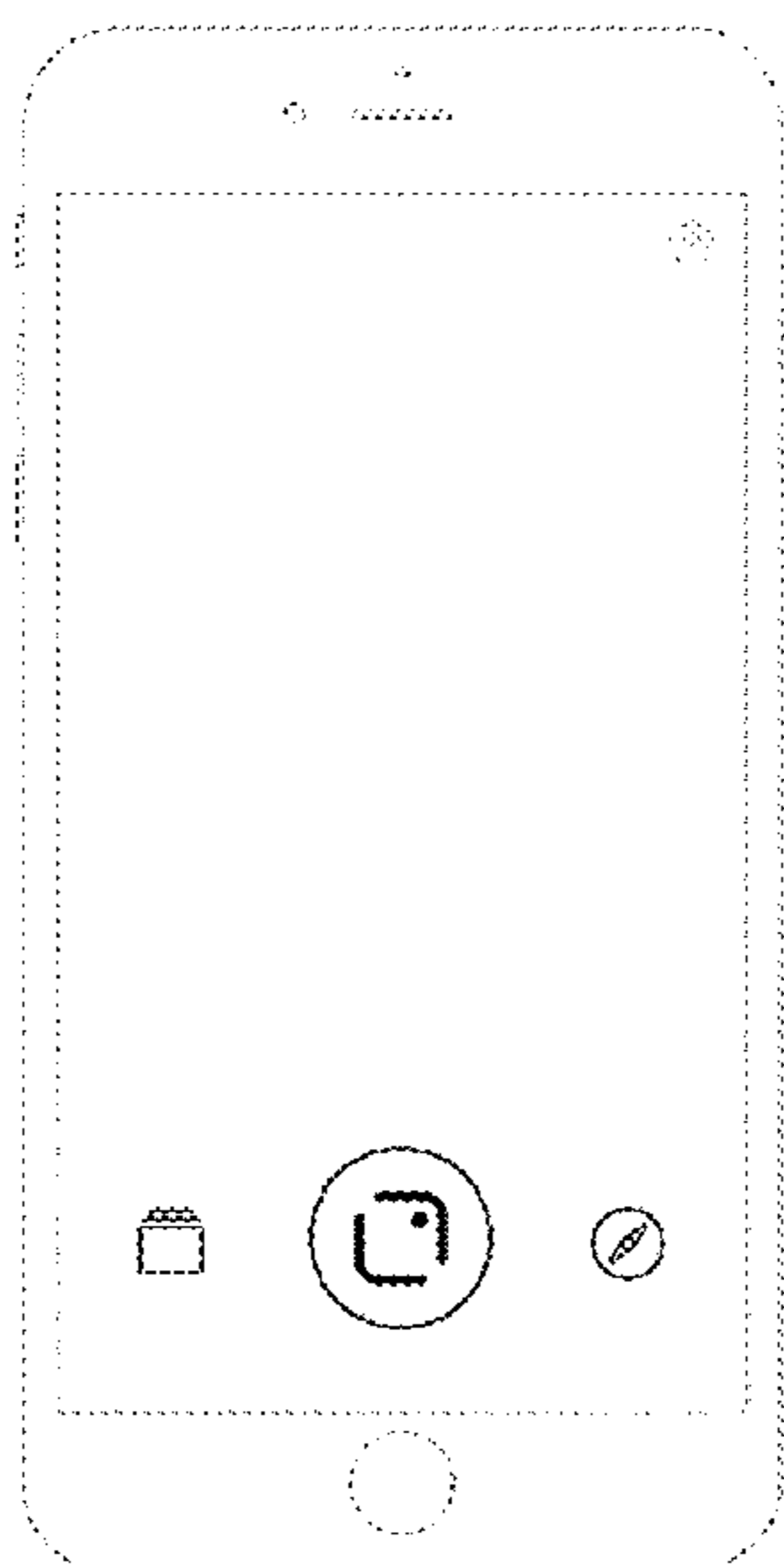
(57) **CLAIM**

The ornamental design for a portion of a display screen with animated graphical user interface, as shown and described.

DESCRIPTION

FIG. 1 is a front view of a first image of a portion of a display screen with animated graphical user interface; and, FIG. 2 is a front view of a second image thereof. The appearance of a transitional image sequentially transitions between the images shown in FIGS. 1 through 2. The process or period in which one image transitions to another image forms no part of the claimed design. The broken line showing of the display screen and portions of the graphical user interface is for the purpose of illustrating environmental structure and forms no part of the claimed design.

1 Claim, 2 Drawing Sheets



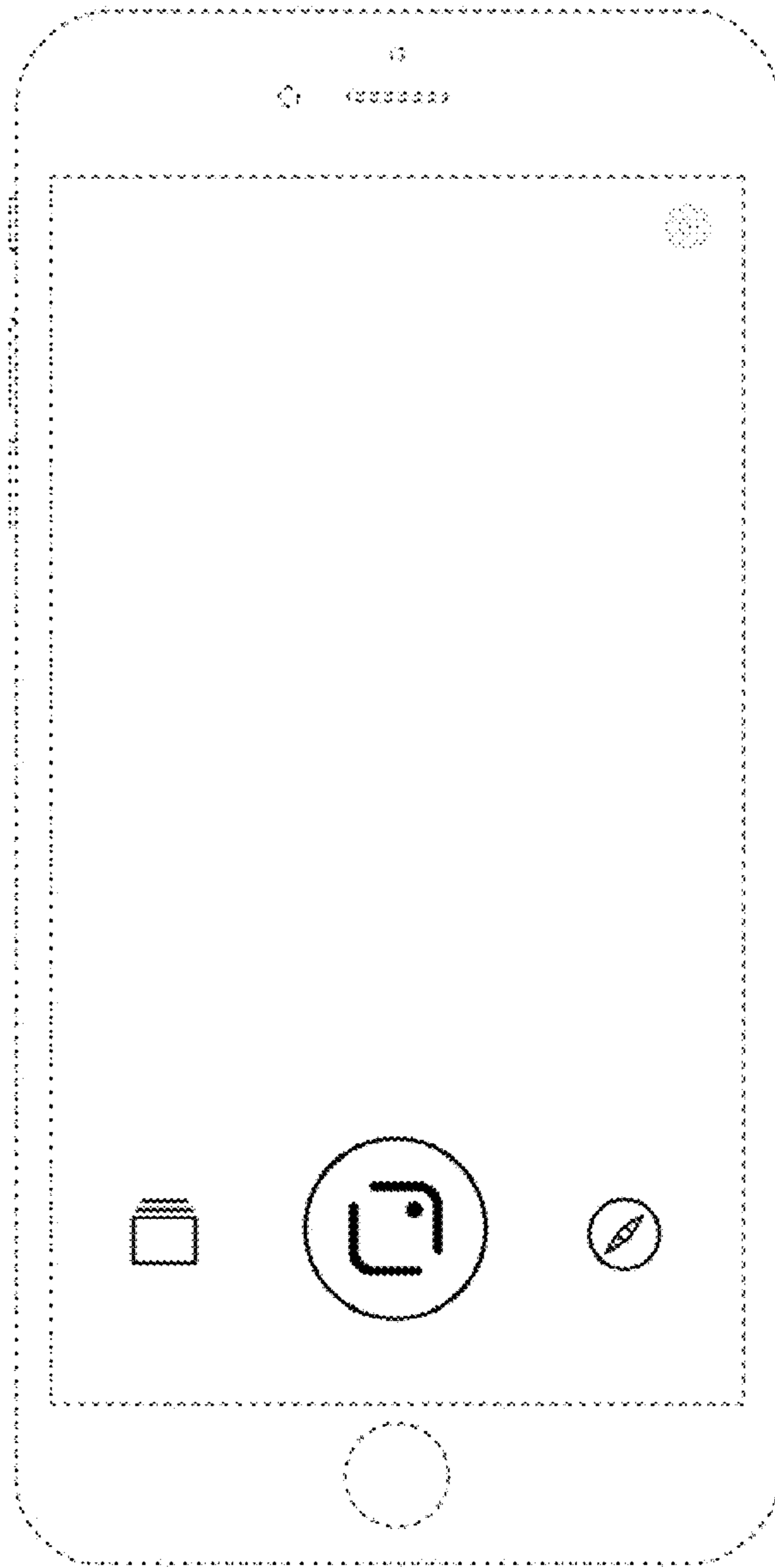


FIG. 1

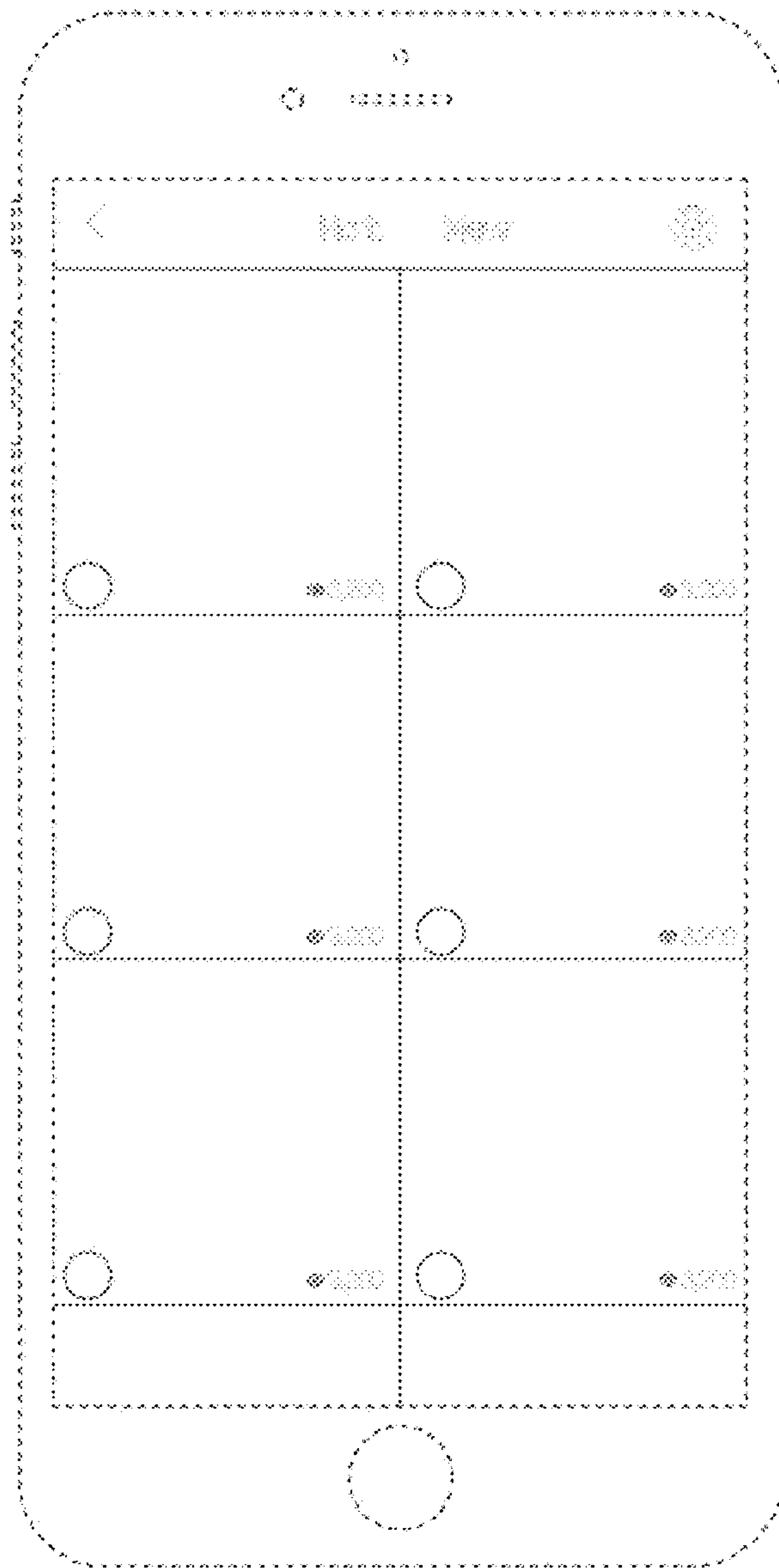


FIG. 2