



US00D776700S

(12) **United States Design Patent**  
**Huang et al.**

(10) **Patent No.:** **US D776,700 S**  
(45) **Date of Patent:** **\*\* Jan. 17, 2017**

(54) **PORTION OF A DISPLAY SCREEN WITH ANIMATED GRAPHICAL USER INTERFACE**

(71) Applicant: **Tencent Technology (Shenzhen) Company Limited**, Shenzhen, Guangdong (CN)

(72) Inventors: **Daxi Huang**, Guangdong (CN); **Wei Wang**, Guangdong (CN); **Suhyun Lee**, Guangdong (CN)

(73) Assignee: **Tencent Technology (Shenzhen) Company Limited** (CN)

(\*\*) Term: **15 Years**

(21) Appl. No.: **29/544,744**

(22) Filed: **Nov. 5, 2015**

(30) **Foreign Application Priority Data**

Jul. 28, 2015 (CN) ..... 2015 3 0276047

(51) **LOC (10) Cl.** ..... **14-04**

(52) **U.S. Cl.**  
USPC ..... **D14/486**

(58) **Field of Classification Search**  
USPC ..... D14/485–495  
CPC G06F 3/0482; G06F 3/04842; G06F 3/04883;  
G06F 2203/04807; H04M 1/2477  
See application file for complete search history.

(56) **References Cited**

**U.S. PATENT DOCUMENTS**

D594,015 S *	6/2009	Singh	.....	D14/486
D595,727 S *	7/2009	Koes	.....	D14/485
D682,875 S *	5/2013	Frijlink	.....	D14/488
D686,634 S *	7/2013	Malasani	.....	D14/486

D691,618 S *	10/2013	Chen	.....	D14/485
D709,901 S *	7/2014	Landis	.....	D14/486
D715,313 S *	10/2014	Hontz, Jr.	.....	D14/485
D727,926 S *	4/2015	Talbot	.....	D14/485
D731,538 S *	6/2015	Lee	.....	D14/488
D732,049 S *	6/2015	Amin	.....	D14/485
D737,847 S *	9/2015	Chaudhri	.....	D14/487
D739,864 S *	9/2015	Kang	.....	D14/486
D755,206 S *	5/2016	Lee	.....	D14/485
D760,738 S *	7/2016	Scalisi	.....	D14/485
D761,303 S *	7/2016	Nelson	.....	D14/488
D762,678 S *	8/2016	Oh	.....	D14/486

(Continued)

*Primary Examiner* — Karen Kearney  
*Assistant Examiner* — Katherine Holbrow  
(74) *Attorney, Agent, or Firm* — Design IP

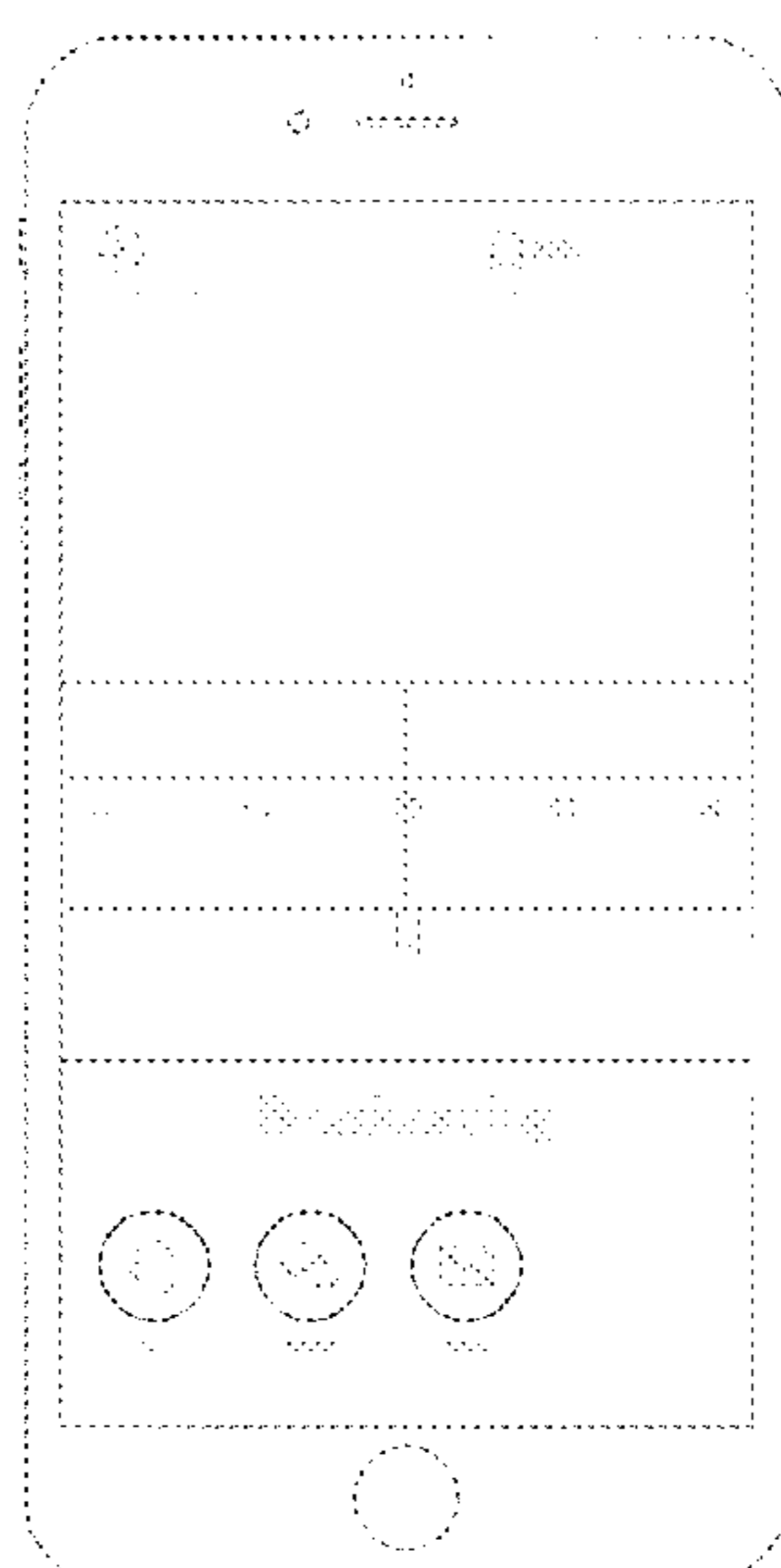
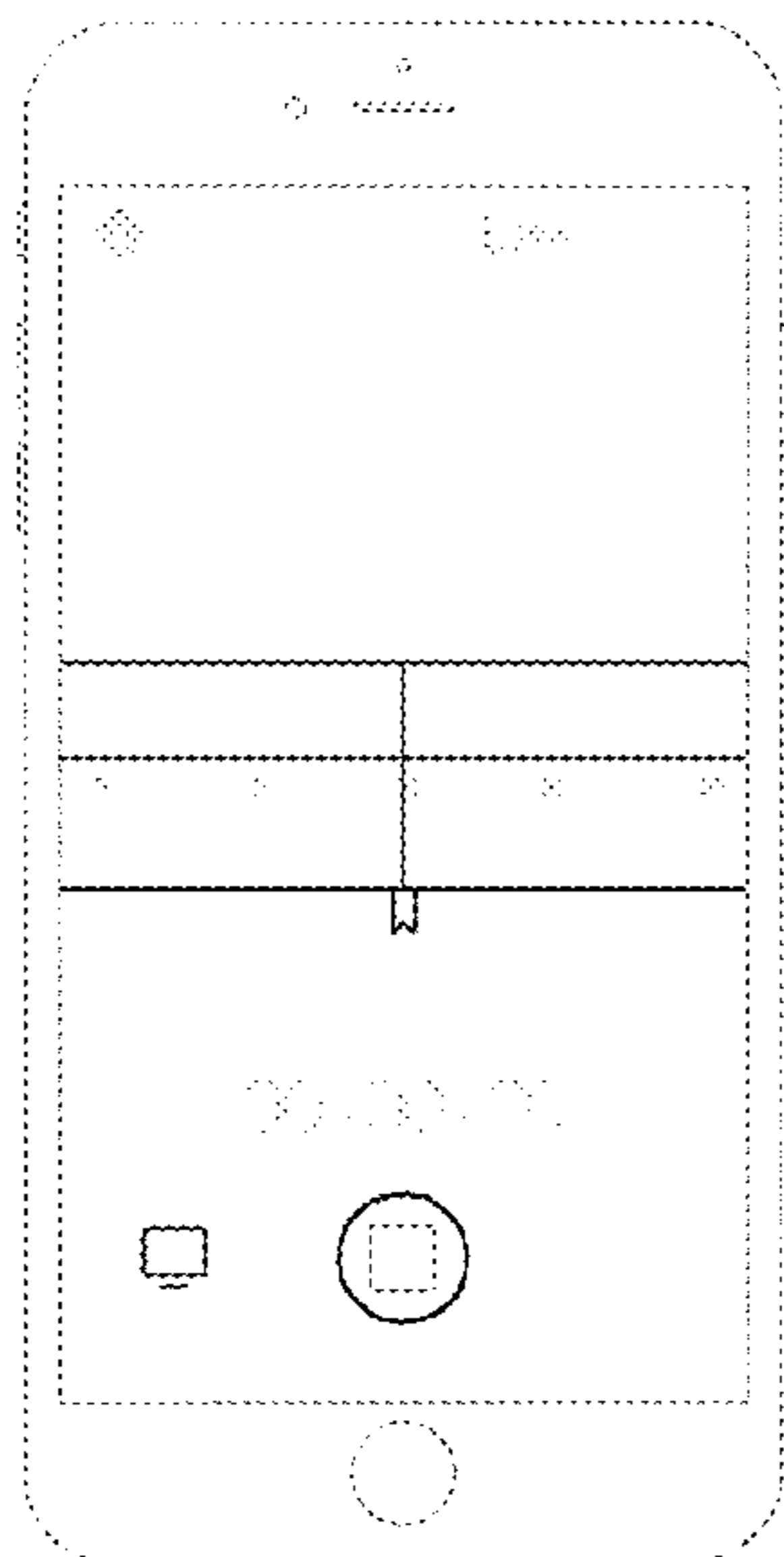
(57) **CLAIM**

The ornamental design for a portion of a display screen with animated graphical user interface, as shown and described.

**DESCRIPTION**

FIG. 1 is a front view of a first image of a portion of a display screen with animated graphical user interface; and, FIG. 2 is a front view of a second image thereof. The appearance of a transitional image sequentially transitions between the images shown in FIGS. 1 through 2. The process or period in which one image transitions to another image forms no part of the claimed design. The broken line showing of the display screen and portions of the graphical user interface forms no part of the claimed design. The transition of elements of the claimed design from a heavier line weight in FIG. 1 to a lighter line weight in FIG. 2 shows a reduction in contrast between these elements and the background of the graphical user interface and forms part of the claimed design.

**1 Claim, 2 Drawing Sheets**



(56)

**References Cited**

U.S. PATENT DOCUMENTS

D765,097 S \* 8/2016 Harvell ..... D14/485  
D765,100 S \* 8/2016 Kim ..... D14/485  
2010/0023865 A1\* 1/2010 Fulker ..... G06F 3/04817  
715/734  
2014/0006965 A1\* 1/2014 Xu ..... G06F 3/048  
715/741  
2014/0098176 A1\* 4/2014 Isaacs ..... H04M 3/5191  
348/14.01

\* cited by examiner

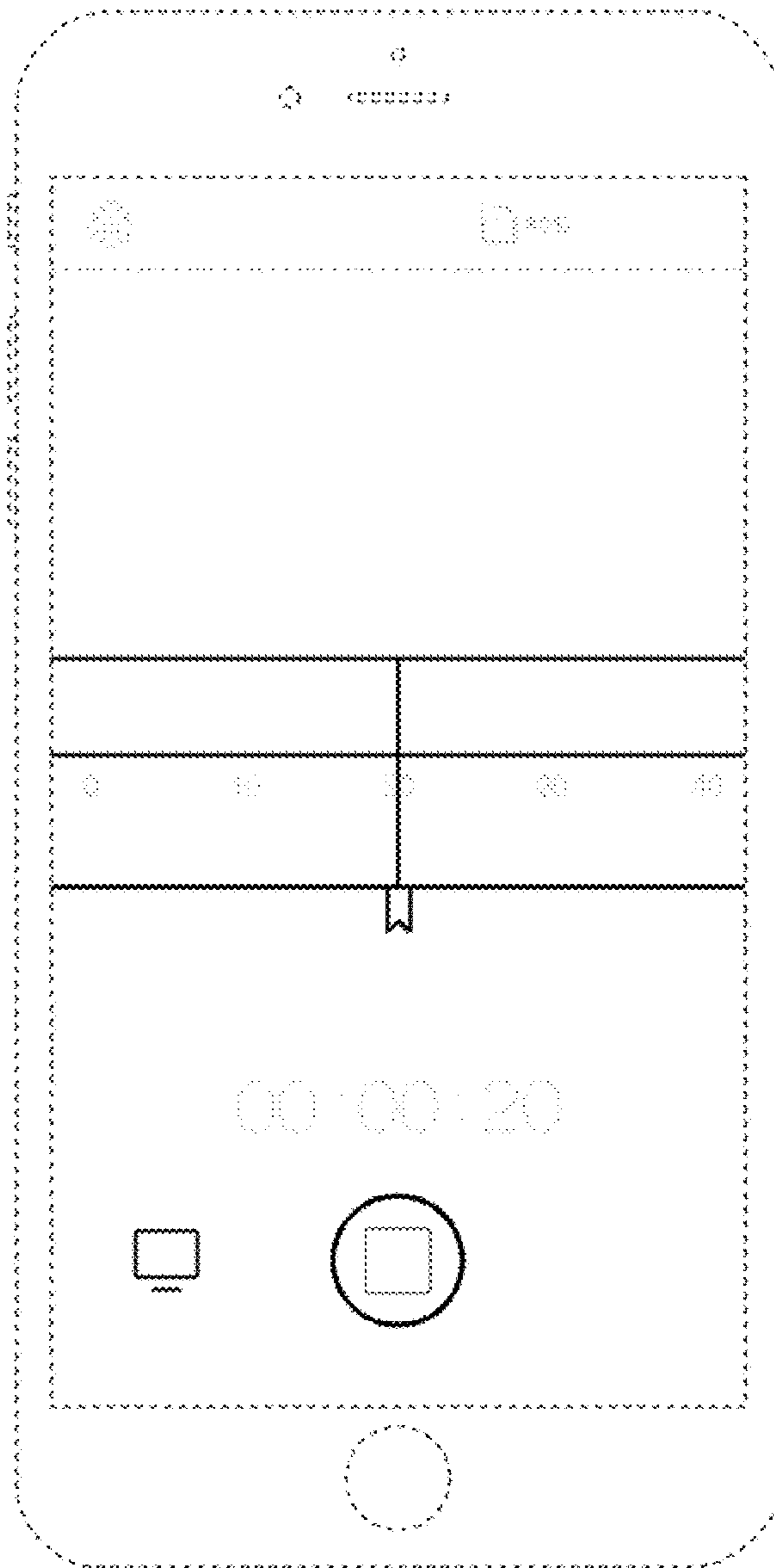


FIG. 1

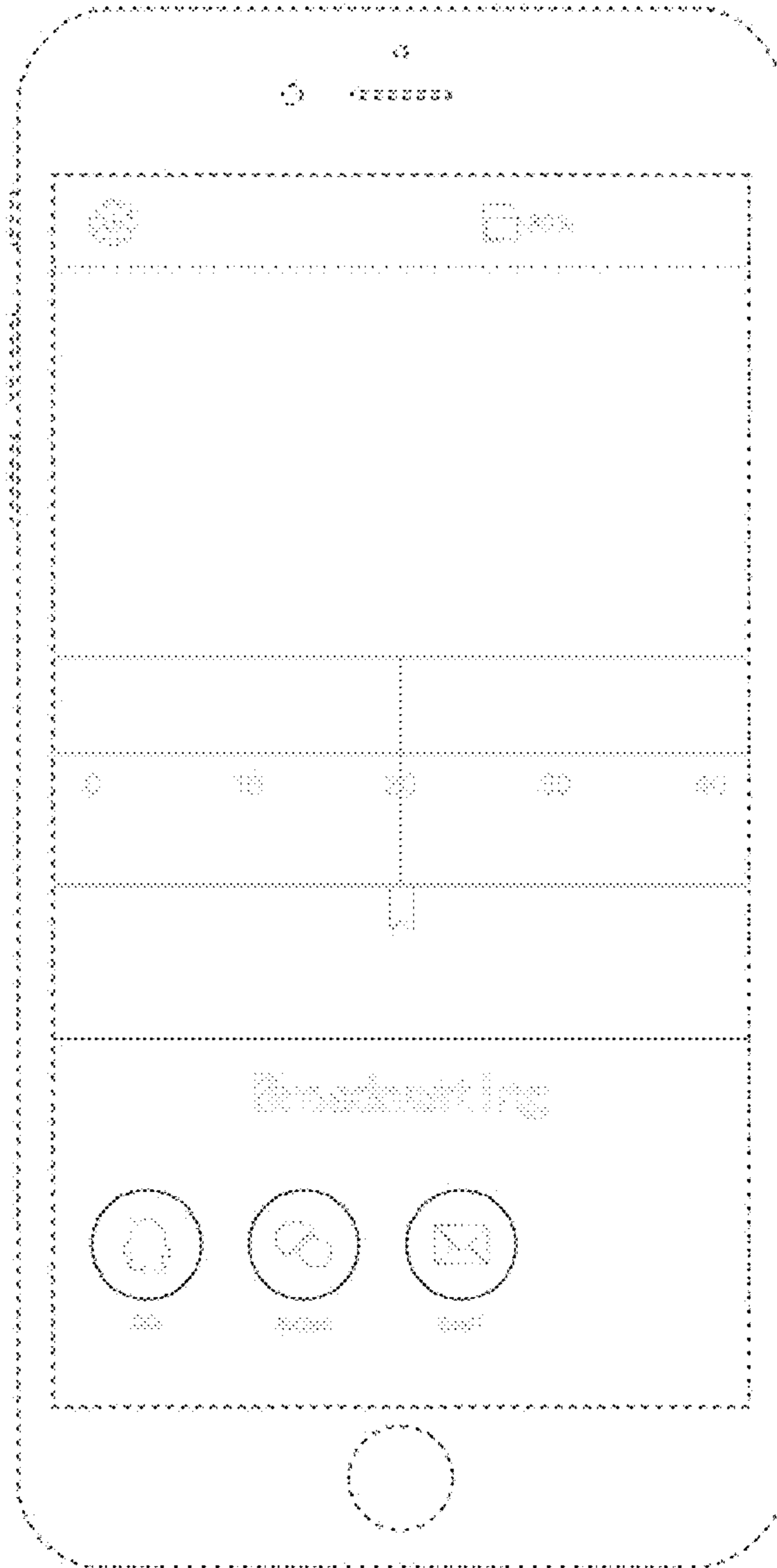


FIG. 2