



US00D776676S

(12) **United States Design Patent**
Shi

(10) **Patent No.:** **US D776,676 S**
(45) **Date of Patent:** **** Jan. 17, 2017**

(54) **DISPLAY SCREEN OR PORTION THEREOF WITH GRAPHICAL USER INTERFACE**

(71) Applicant: **Lenovo (Beijing) Co., Ltd.**, Beijing (CN)

(72) Inventor: **Jiao Shi**, Beijing (CN)

(73) Assignee: **Lenovo (Beijing) Co., Ltd.**, Beijing (CN)

(**) Term: **14 Years**

(21) Appl. No.: **29/520,039**

(22) Filed: **Mar. 10, 2015**

(30) **Foreign Application Priority Data**

Dec. 11, 2014 (CN) 2014 3 0518392

(51) **LOC (10) Cl.** **14-03**

(52) **U.S. Cl.**
USPC **D14/485**

(58) **Field of Classification Search**
USPC D14/485-495, 447; D10/81; 715/702, 715/764, 835, 760
CPC G06F 3/016; G06F 3/0481; G06F 3/0482
See application file for complete search history.

(56) **References Cited**

U.S. PATENT DOCUMENTS

D550,696 S	*	9/2007	Kortum	D14/491
D554,659 S	*	11/2007	Hoover	D14/487
D588,148 S	*	3/2009	Stone	D14/485
D637,605 S	*	5/2011	Brinda	D14/488
D672,784 S	*	12/2012	Clanton	D14/485
D675,241 S	*	1/2013	Oda	D14/486
D686,244 S	*	7/2013	Moriya	D14/489
D687,845 S	*	8/2013	Lee	D14/486
D691,171 S	*	10/2013	Brinda	D14/488

D697,071 S	*	1/2014	Brinda	D14/485
D703,693 S	*	4/2014	Brinda	D14/488
D706,806 S	*	6/2014	Nishizawa	D14/488
D709,092 S	*	7/2014	Mariet	D14/489
D714,322 S	*	9/2014	Pereira	D14/485
D714,325 S	*	9/2014	Pereira	D14/485
D714,813 S	*	10/2014	Oda	D14/485
D716,317 S	*	10/2014	Behzadi	D14/485
D716,321 S	*	10/2014	Fan	D14/485
D719,180 S	*	12/2014	Liang	D14/486
D721,084 S	*	1/2015	Kimball	D14/485
D721,087 S	*	1/2015	Barling	D14/485
D721,088 S	*	1/2015	Barling	D14/485

(Continued)

Primary Examiner — Rhea Shields

(74) *Attorney, Agent, or Firm* — Oppedahl Patent Law Firm LLC

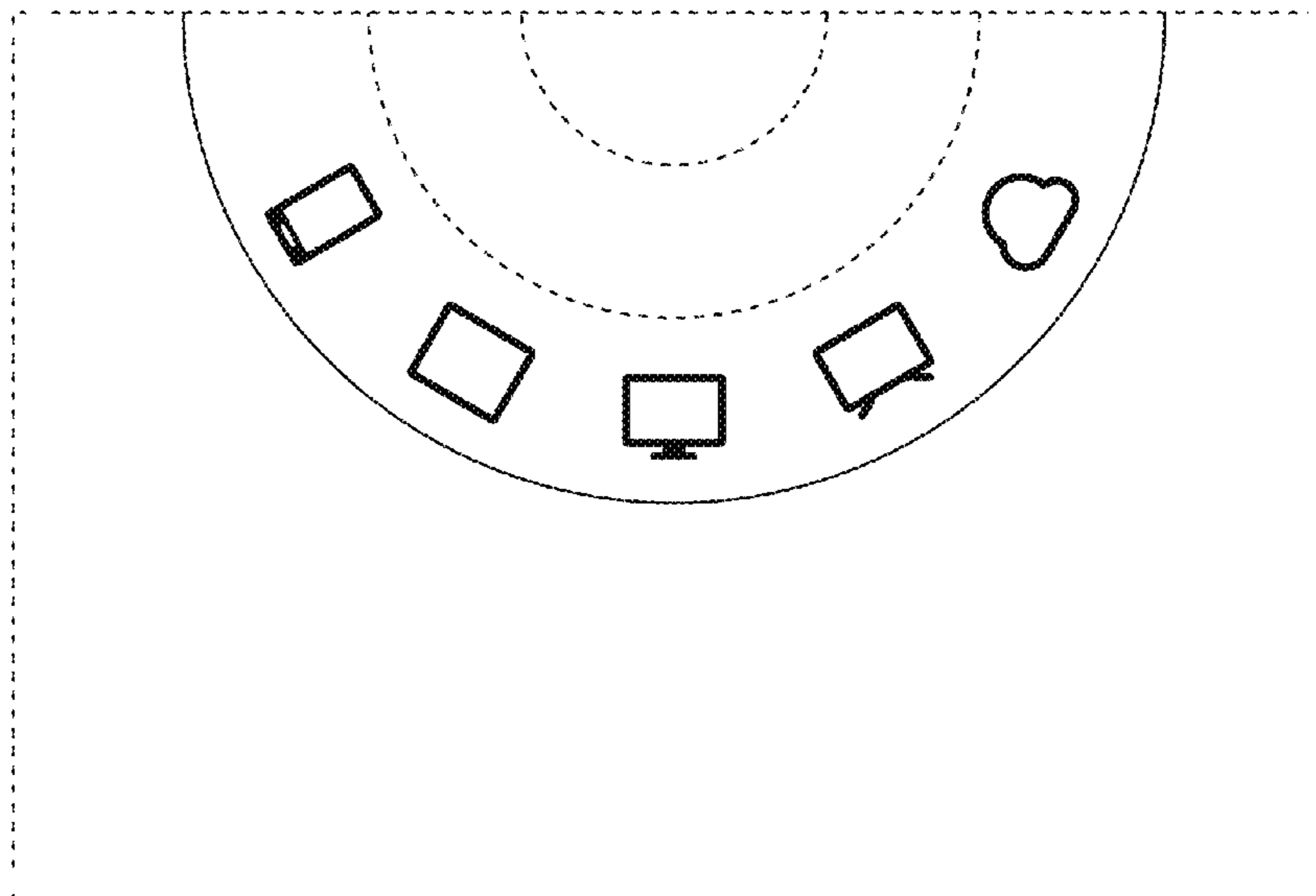
(57) **CLAIM**

The ornamental design for a display screen or portion thereof with graphical user interface, as shown and described.

DESCRIPTION

FIG. 1 is a front view of a first embodiment of our new design for a display screen.
 FIG. 2 is a front view of a first embodiment of our new design for a display screen.
 FIG. 3 is a front view of a first embodiment of our new design for a display screen.
 FIG. 4 is a front view of a first embodiment of our new design for a display screen.
 FIG. 5 is a front view of a second embodiment of our new design for a display screen; and,
 FIG. 6 is a front view of a second embodiment of our new design for a display screen.
 In the drawings, the broken lines are for the purpose of illustrating the display screen or portion thereof with graphical user interface that forms no part of the claimed design.

1 Claim, 6 Drawing Sheets



(56)

References Cited

U.S. PATENT DOCUMENTS

D721,090	S	*	1/2015	Hong	D14/487
D725,148	S	*	3/2015	Pereira	D14/492
D726,741	S	*	4/2015	Lee	D14/485
D728,596	S	*	5/2015	Lee	D14/486
D729,828	S	*	5/2015	Lee	D14/486
D730,917	S	*	6/2015	Lee	D14/485
D732,050	S	*	6/2015	Lee	D14/485
D733,715	S	*	7/2015	Sakata	D14/447
D736,780	S	*	8/2015	Wang	D14/485
D737,316	S	*	8/2015	Li	D14/488
D738,244	S	*	9/2015	Shallice	D10/81
D738,385	S	*	9/2015	Lim	D14/485
D738,909	S	*	9/2015	Herold	D14/488
D739,415	S	*	9/2015	Barling	D14/485
D739,422	S	*	9/2015	Jeong	D14/486
D739,868	S	*	9/2015	Herold	D14/486
D743,974	S	*	11/2015	Herold	D14/485
D743,992	S	*	11/2015	Lee	D14/487
D744,506	S	*	12/2015	Downing	D14/486
D745,015	S	*	12/2015	Wang	D14/485
D745,533	S	*	12/2015	Luo	D14/485
D746,320	S	*	12/2015	Shardlow	D14/487

* cited by examiner

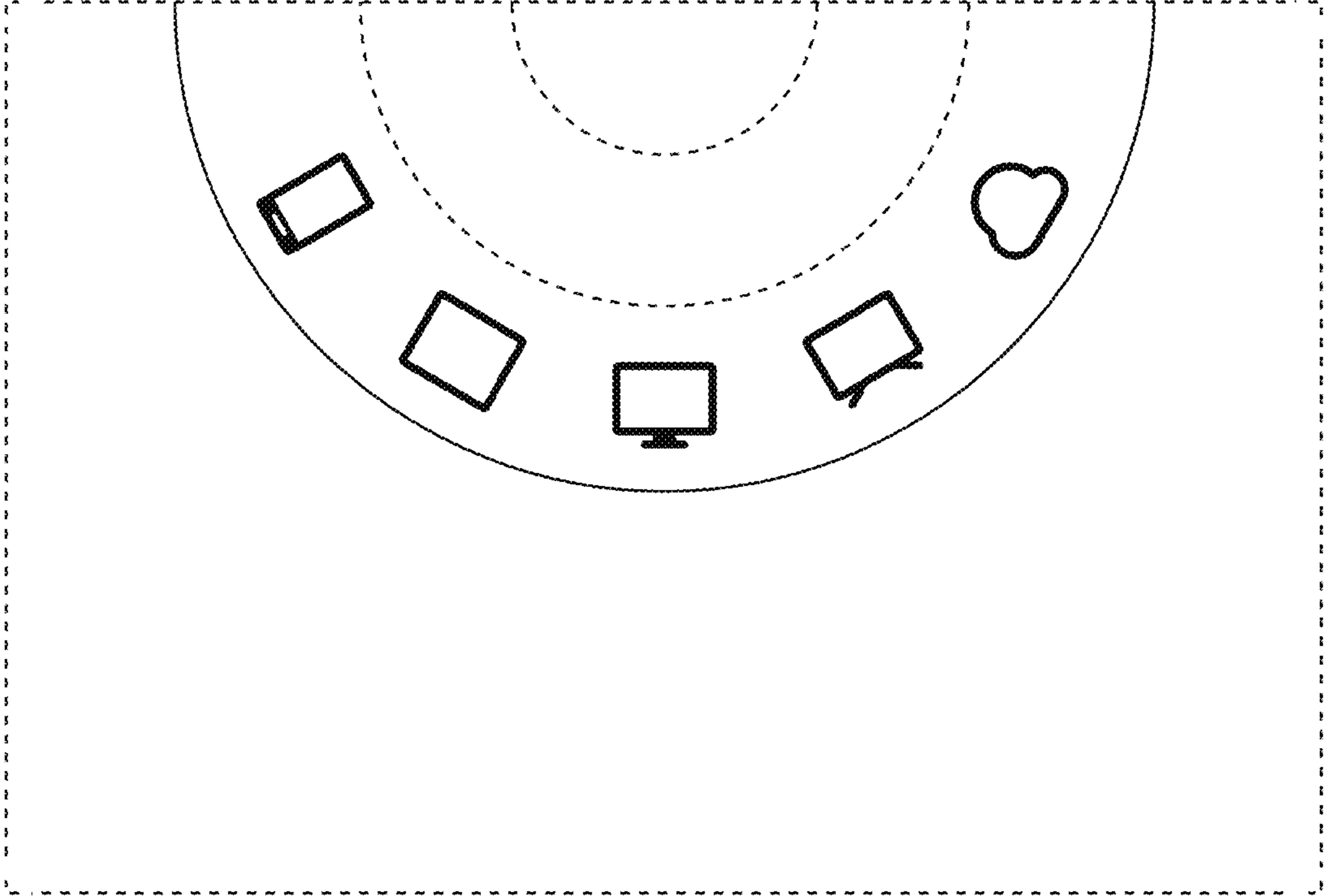


Figure 1

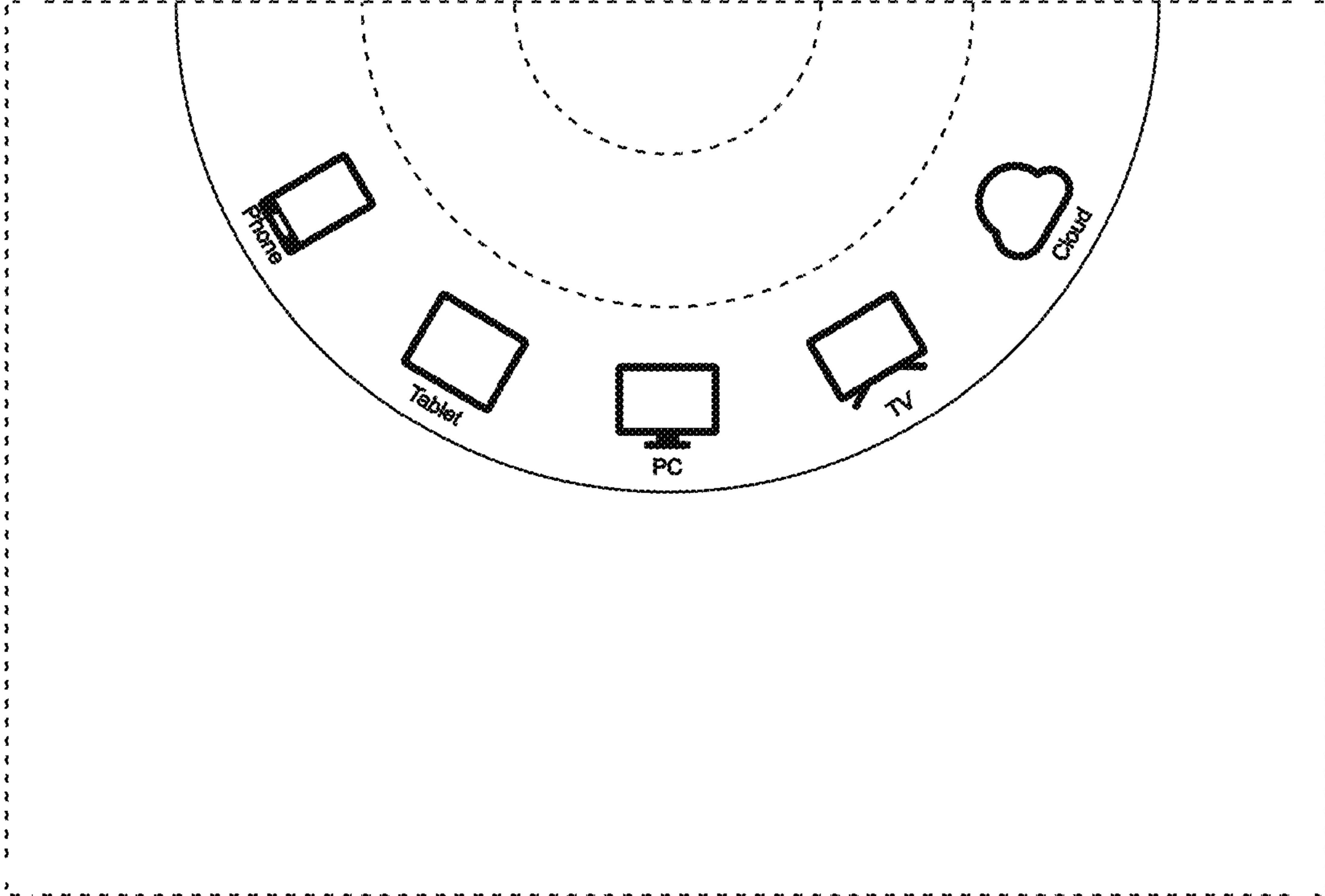


Figure 2

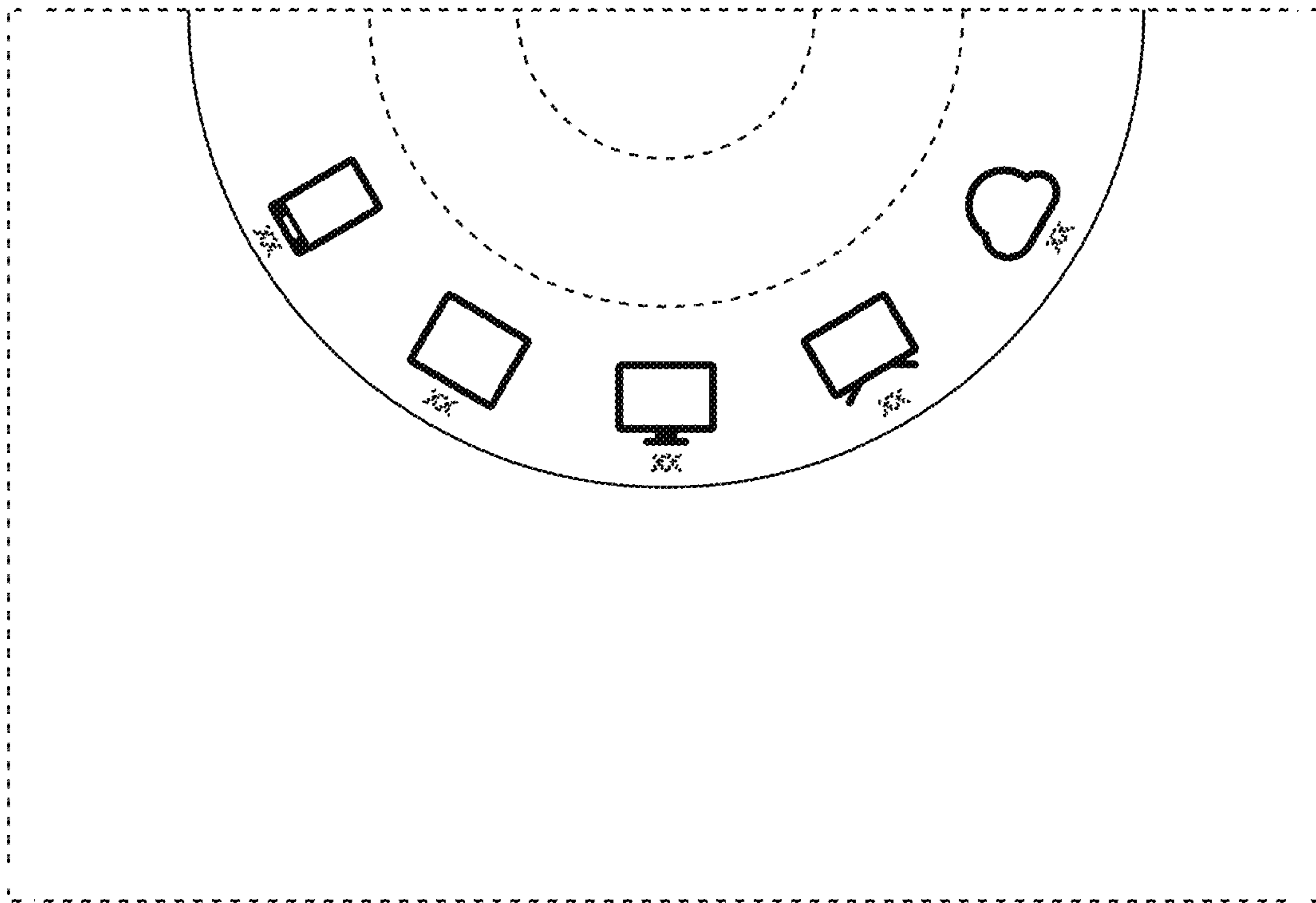


Figure 3

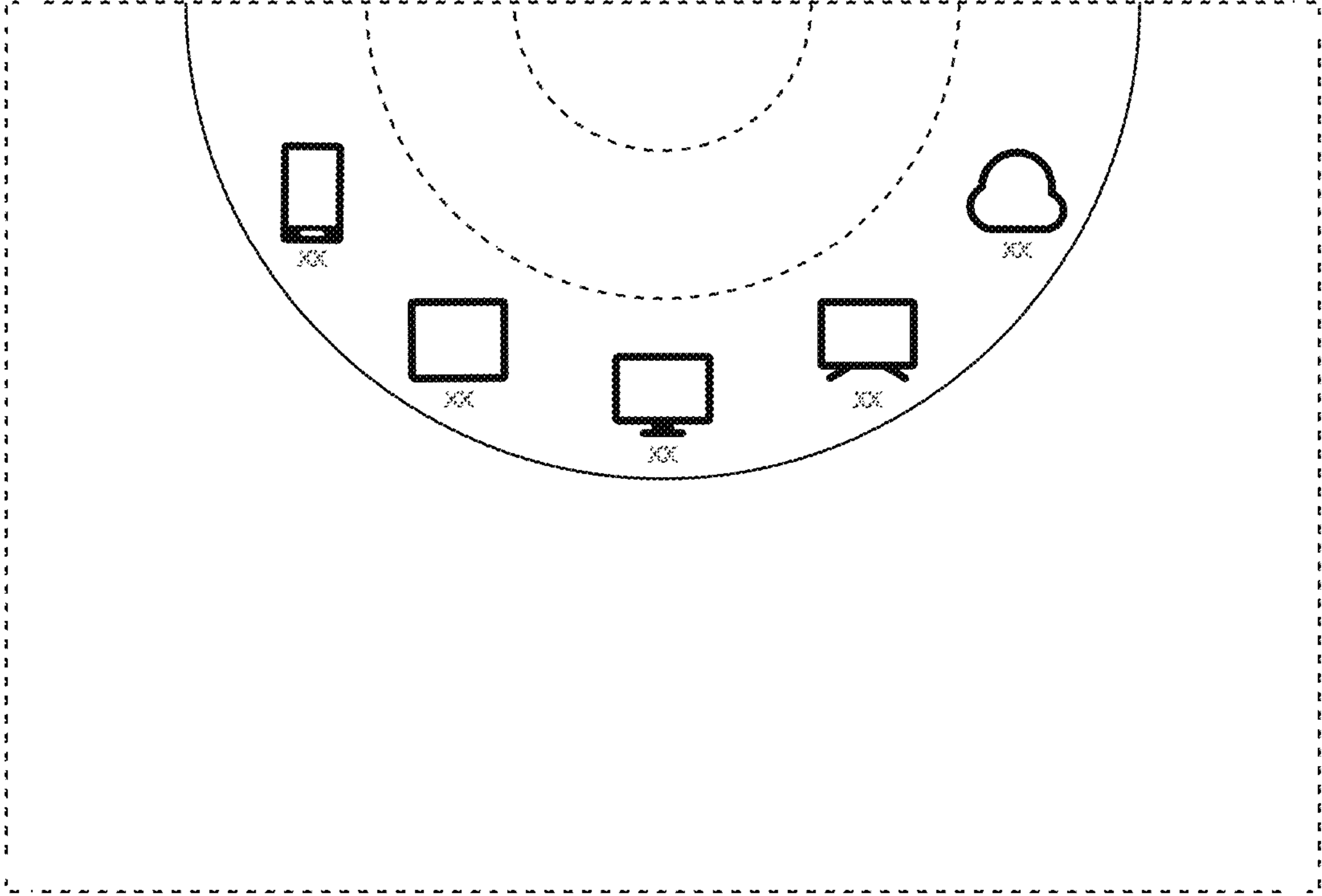


Figure 4

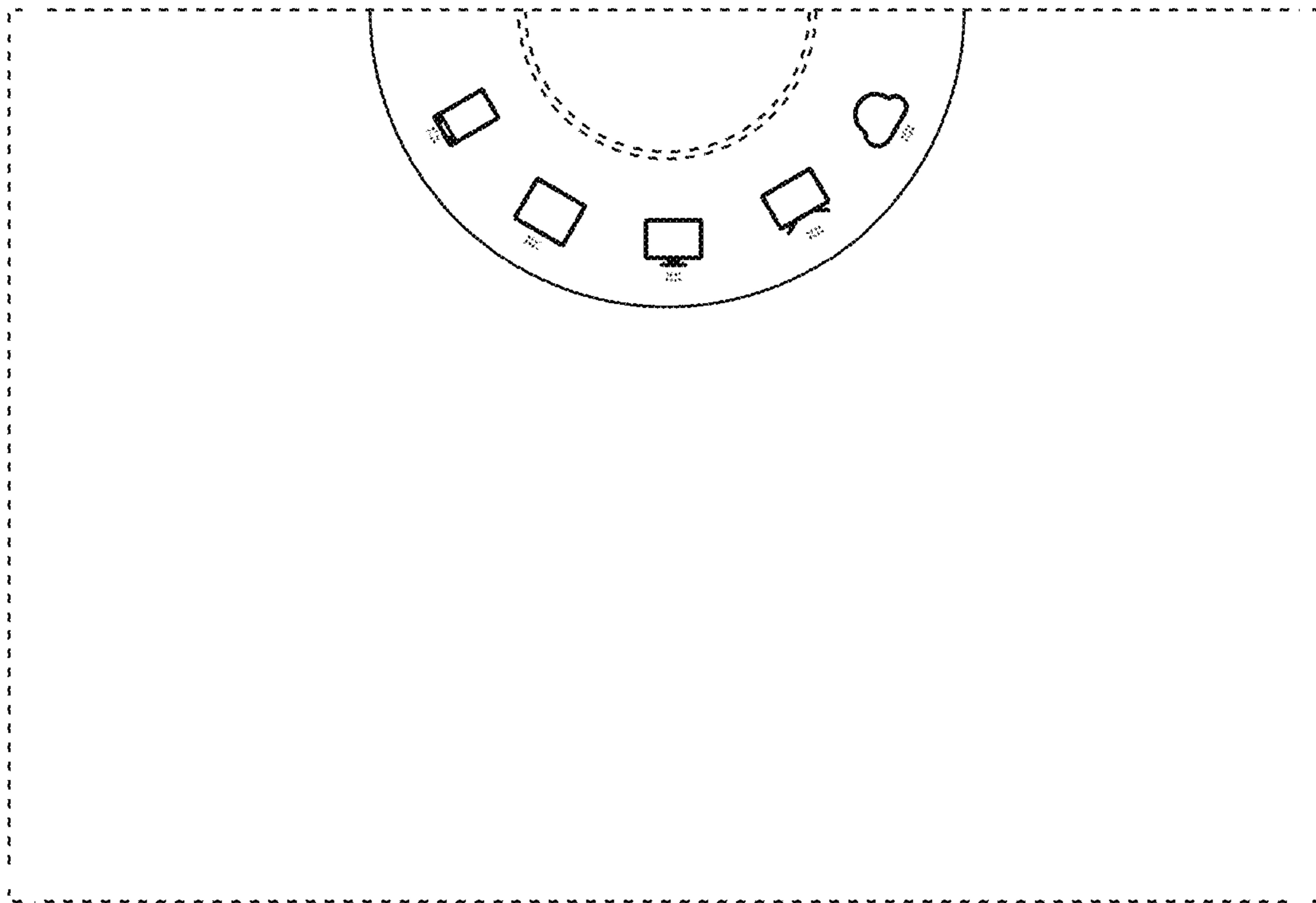


Figure 5

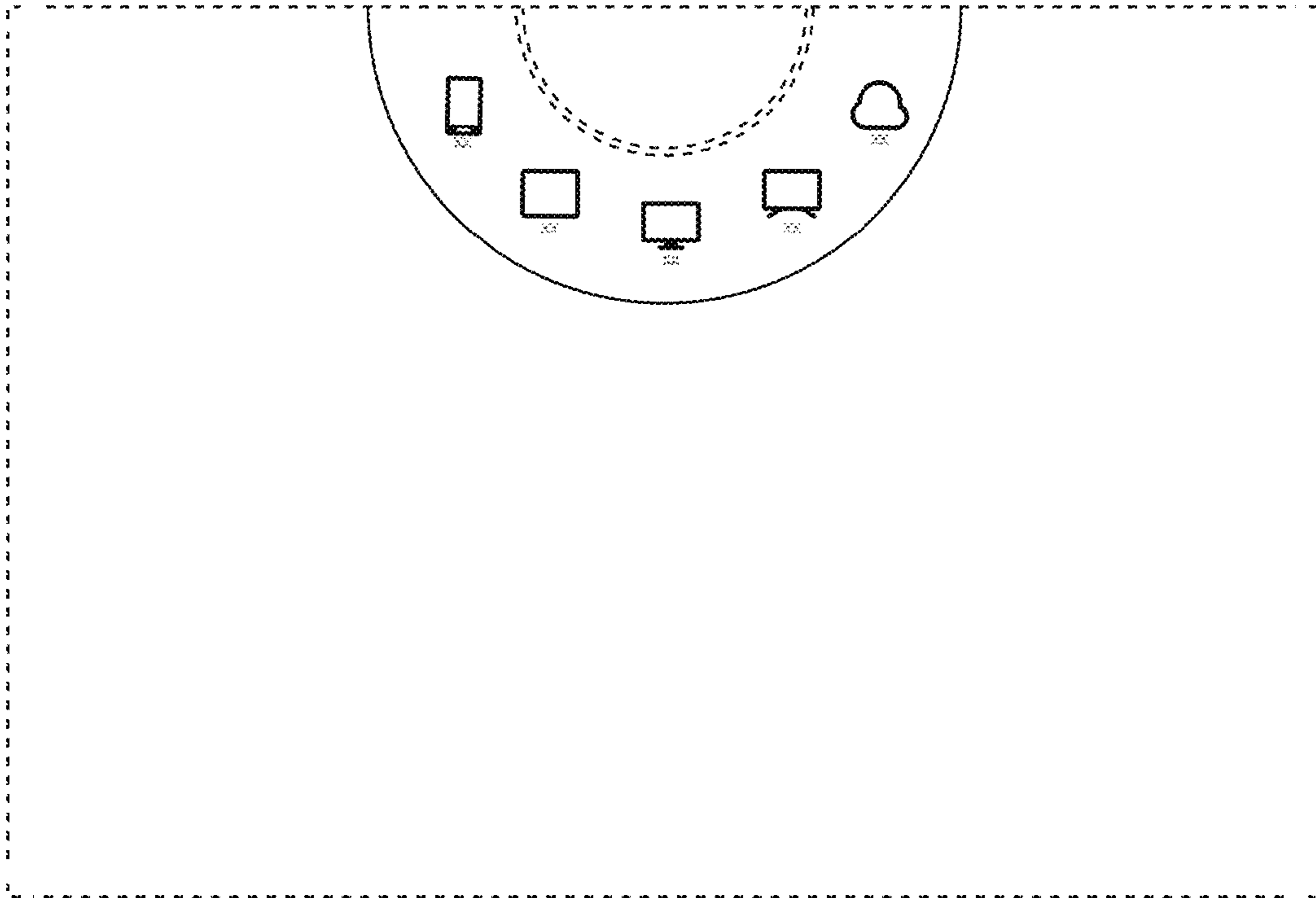


Figure 6