



US00D776674S

(12) **United States Design Patent** (10) **Patent No.:** **US D776,674 S**  
**Raykovich et al.** (45) **Date of Patent:** **\*\* \*Jan. 17, 2017**

(54) **DISPLAY SCREEN WITH ANIMATED GRAPHICAL USER INTERFACE**

(71) Applicant: **Microsoft Corporation**, Redmond, WA (US)

(72) Inventors: **Christopher Raykovich**, Seattle, WA (US); **Jose Alberto Rodriguez**, Seattle, WA (US)

(73) Assignee: **Microsoft Corporation**, Redmond, WA (US)

(\*) Notice: This patent is subject to a terminal disclaimer.

(\*\*) Term: **14 Years**

(21) Appl. No.: **29/515,144**

(22) Filed: **Jan. 20, 2015**

(51) **LOC (10) Cl.** ..... **14-04**

(52) **U.S. Cl.**  
USPC ..... **D14/485**

(58) **Field of Classification Search**  
USPC ..... D14/485-495  
CPC ..... G06F 3/0482; H04L 41/145; H04L 51/32;  
G06Q 50/01; G06Q 10/063114; H04N  
1/00477; G06T 13/80; G06T 15/02  
See application file for complete search history.

(56) **References Cited**

U.S. PATENT DOCUMENTS

D552,619 S	*	10/2007	Sato	.....	D14/486
D552,621 S	*	10/2007	Sato	.....	D14/486
D582,934 S	*	12/2008	Byeon	.....	D14/486
D619,593 S	*	7/2010	Fujioka	.....	D14/485
D625,734 S	*	10/2010	Kurozumi	.....	D14/488
D640,272 S		6/2011	Arnold et al.		

(Continued)

*Primary Examiner* — Karen E Kearney  
*Assistant Examiner* — Rachel Voorhies  
(74) *Attorney, Agent, or Firm* — Banner & Witcoff, Ltd.

(57) **CLAIM**

The ornamental design for a display screen with animated graphical user interface, as shown and described.

**DESCRIPTION**

FIG. 1 is the first image in a sequence for a display screen with animated graphical user interface showing our new design;

FIG. 2 is the second image thereof;

FIG. 3 is the third image thereof;

FIG. 4 is the fourth image thereof;

FIG. 5 is the fifth image thereof;

FIG. 6 is the sixth image thereof;

FIG. 7 is the seventh image thereof;

FIG. 8 is the eighth image thereof;

FIG. 9 is the ninth image thereof;

FIG. 10 is the tenth image thereof;

FIG. 11 is the eleventh image thereof;

FIG. 12 is the twelfth image thereof;

FIG. 13 is the thirteenth image thereof;

FIG. 14 is the fourteenth image thereof;

FIG. 15 is the fifteenth image thereof;

FIG. 16 is the sixteenth image thereof;

FIG. 17 is the seventeenth image thereof;

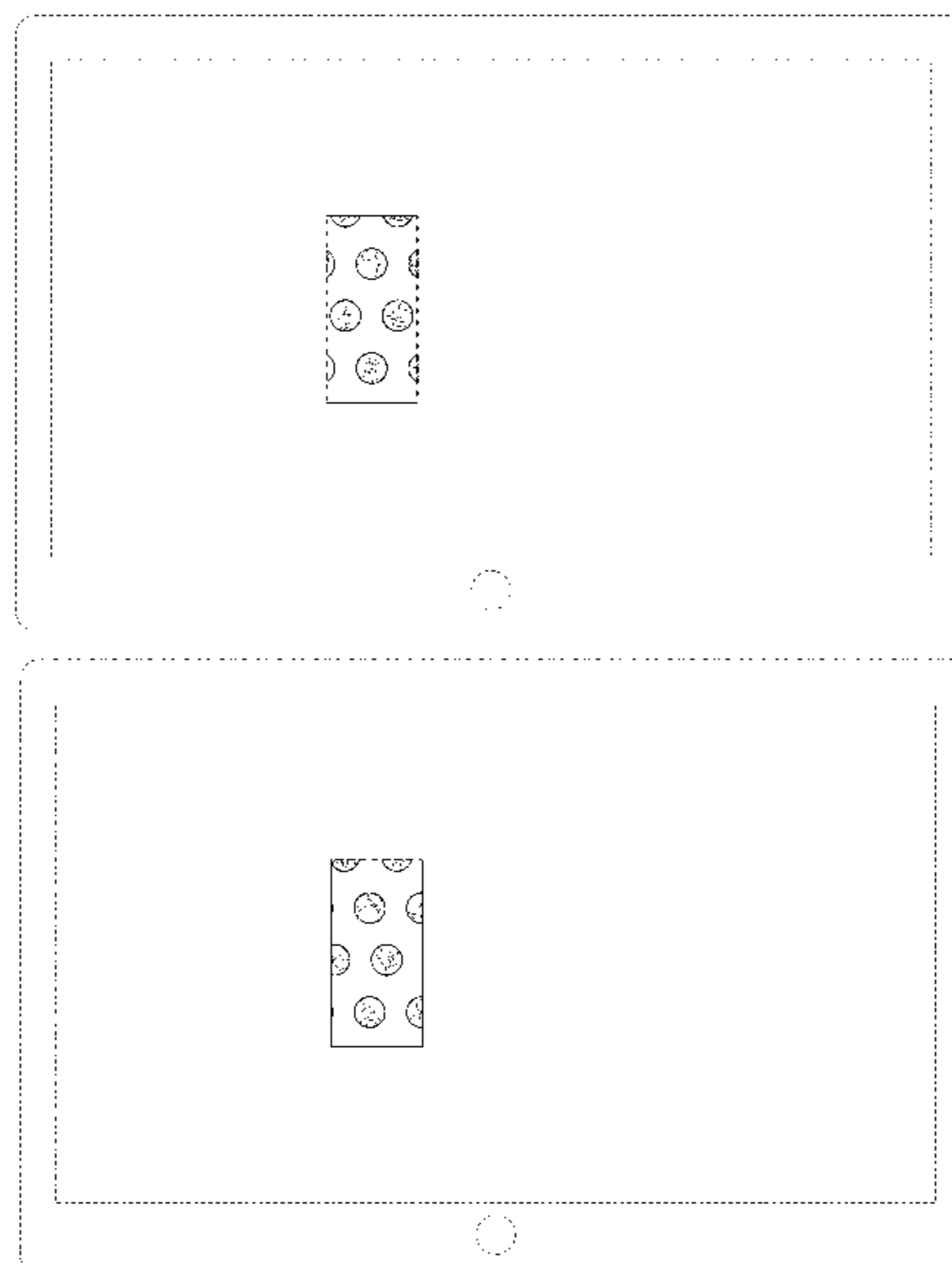
FIG. 18 is the eighteenth image thereof;

FIG. 19 is the nineteenth image thereof; and,

FIG. 20 is the twentieth image thereof.

The appearance of the animated graphical user interface sequentially transitions between the images shown in FIGS. 1-20. The process or period in which one image transitions to another forms no part of the claimed design. The broken line showing of the remainder of the user interface and the remainder of the display screen is for environmental purposes only and forms no part of the claimed design.

**1 Claim, 20 Drawing Sheets**



(56)

References Cited

U.S. PATENT DOCUMENTS

D640,273	S *	6/2011	Arnold	.....	D14/487
D650,392	S *	12/2011	Glezer	.....	D14/486
D654,929	S *	2/2012	Morrow	.....	D14/492
D671,134	S *	11/2012	Arnold	.....	D14/487
D691,629	S *	10/2013	Matas	.....	D14/488
D698,810	S *	2/2014	Misaki	.....	D14/487
D699,250	S *	2/2014	Fujii	.....	D14/486
D717,332	S *	11/2014	Nies	.....	D14/486
D721,086	S *	1/2015	Hontz, Jr.	.....	D14/485
D740,307	S *	10/2015	McAllister	.....	D14/486
D752,105	S *	3/2016	Lee	.....	D14/494
2012/0081356	A1 *	4/2012	Filippov	.....	G06T 19/20 345/419
2013/0290139	A1 *	10/2013	Stark	.....	G06T 13/40 705/26.61
2013/0328888	A1 *	12/2013	Beaver	.....	G06T 19/00 345/473
2014/0019892	A1 *	1/2014	Mayerhofer	.....	G06F 9/4443 715/763
2015/0082243	A1 *	3/2015	Taylor	.....	G06F 3/0482 715/814
2015/0378564	A1 *	12/2015	Ramanathan	.....	G06T 11/206 715/738
2016/0011742	A1 *	1/2016	Fujioka	.....	G06F 3/04817 715/811
2016/0012739	A1 *	1/2016	Jafari	.....	G09B 5/06 434/353
2016/0054892	A1 *	2/2016	Kim	.....	G06F 3/04817 715/808
2016/0062570	A1 *	3/2016	Dascola	.....	G06F 3/0482 715/765

\* cited by examiner

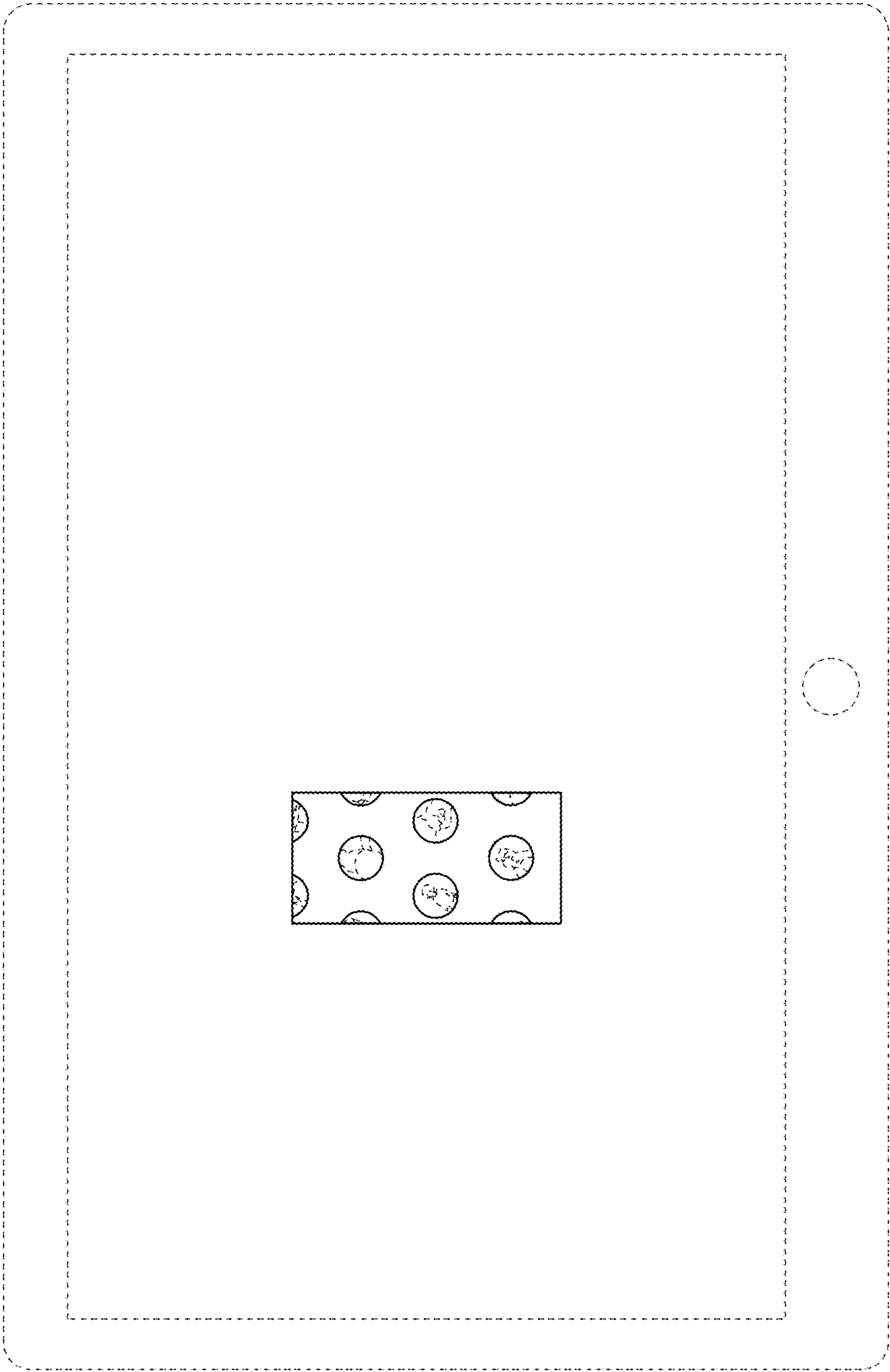


FIG. 1

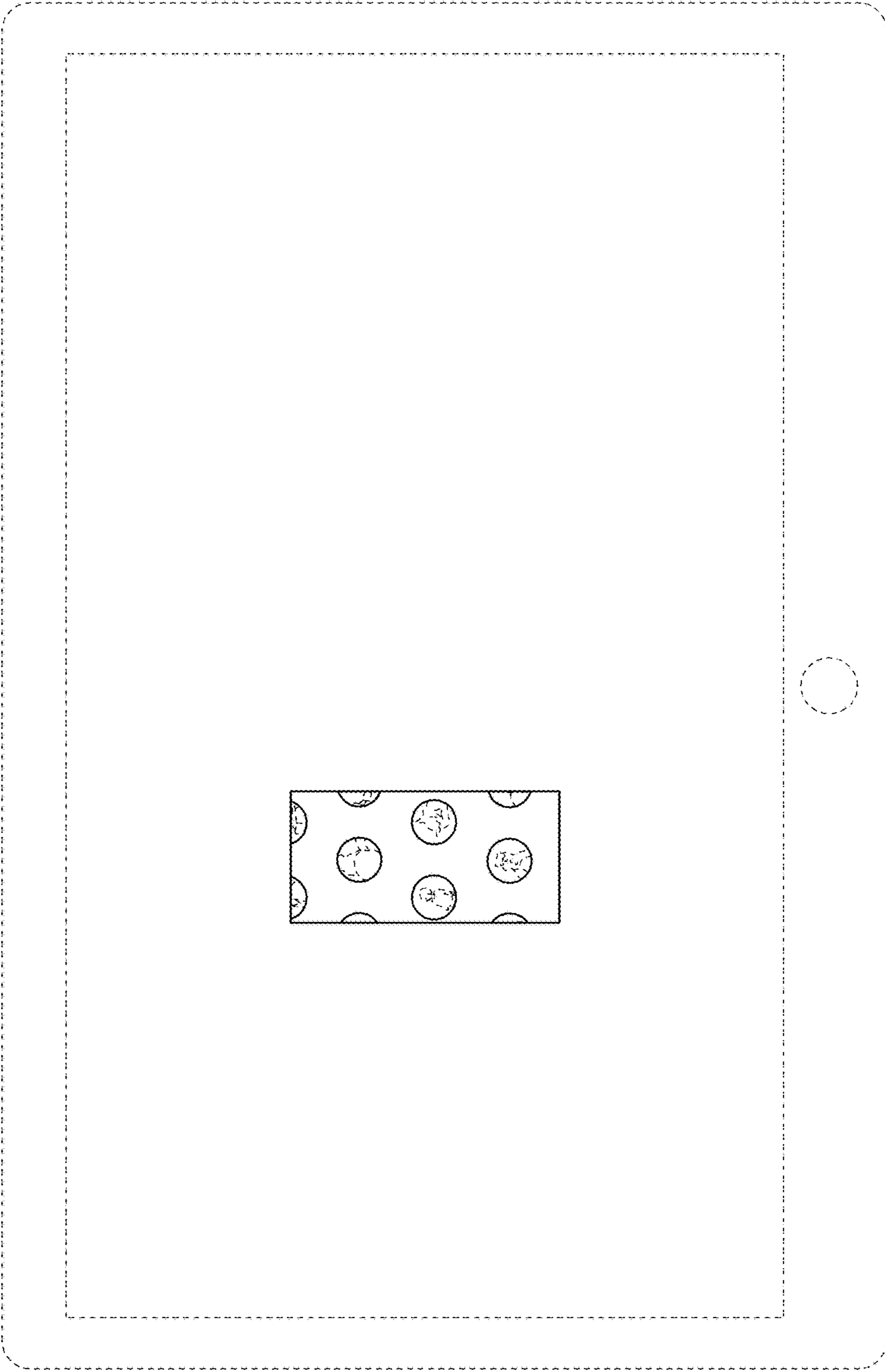


FIG. 2

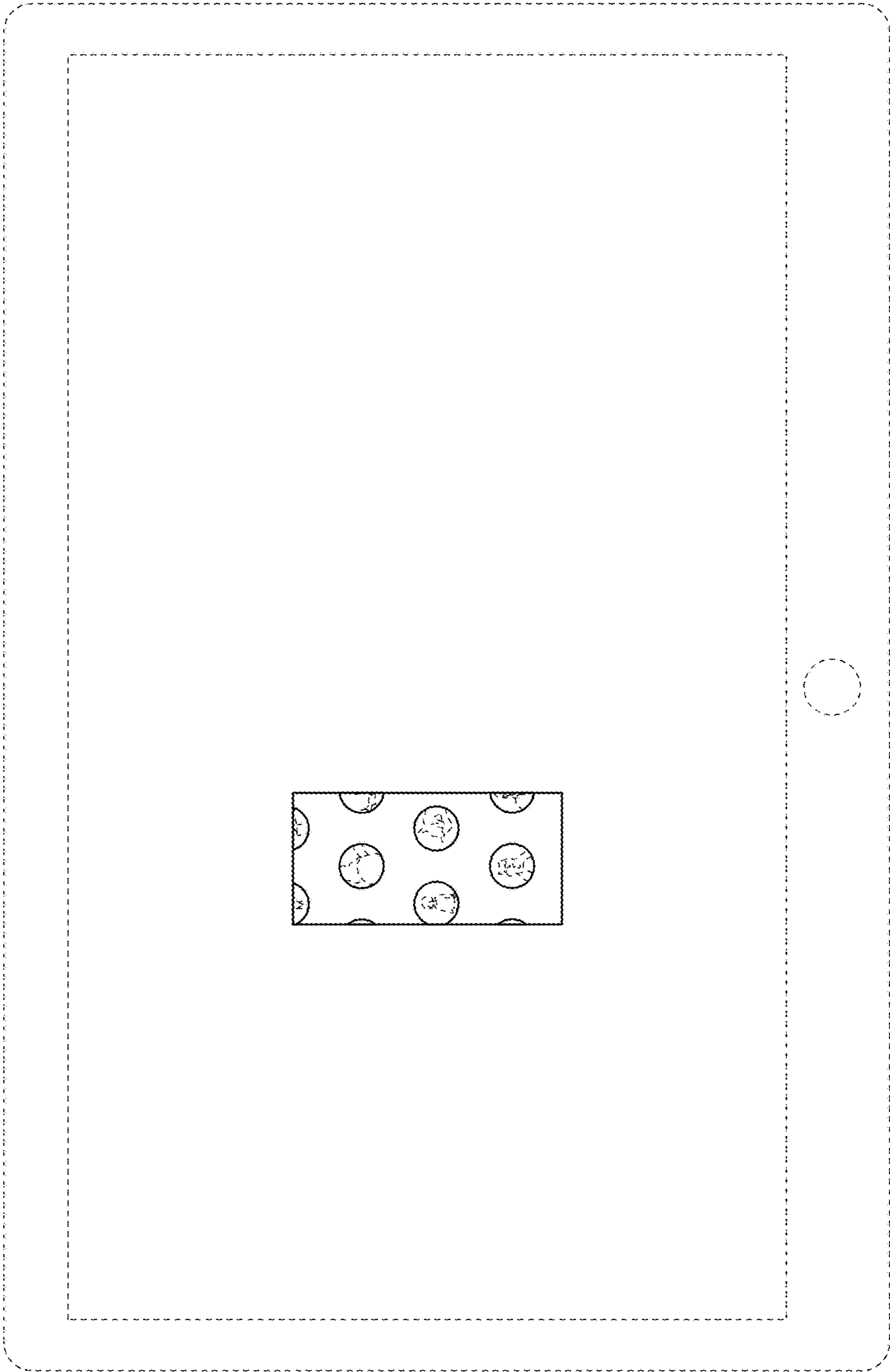


FIG. 3

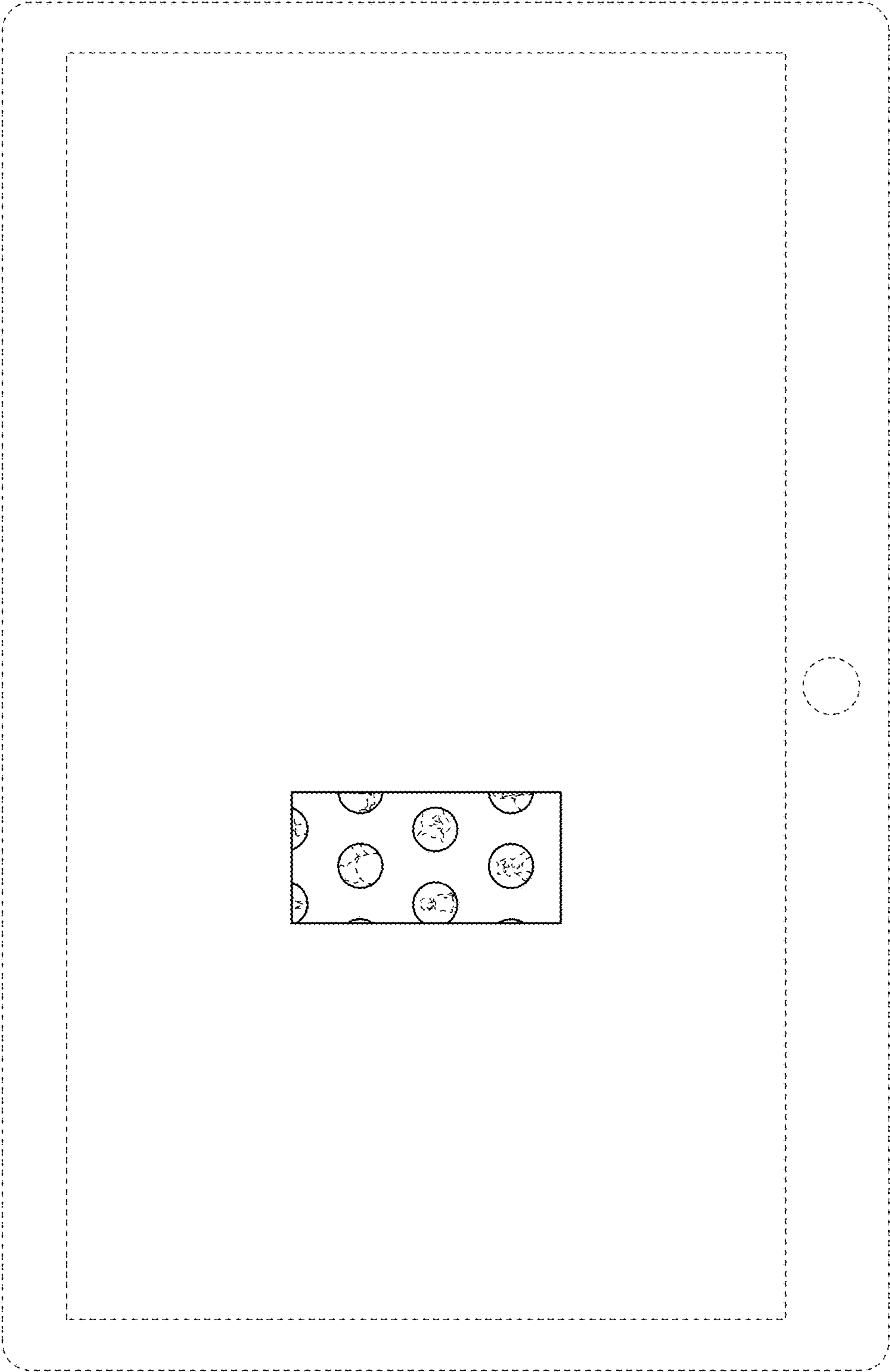


FIG. 4

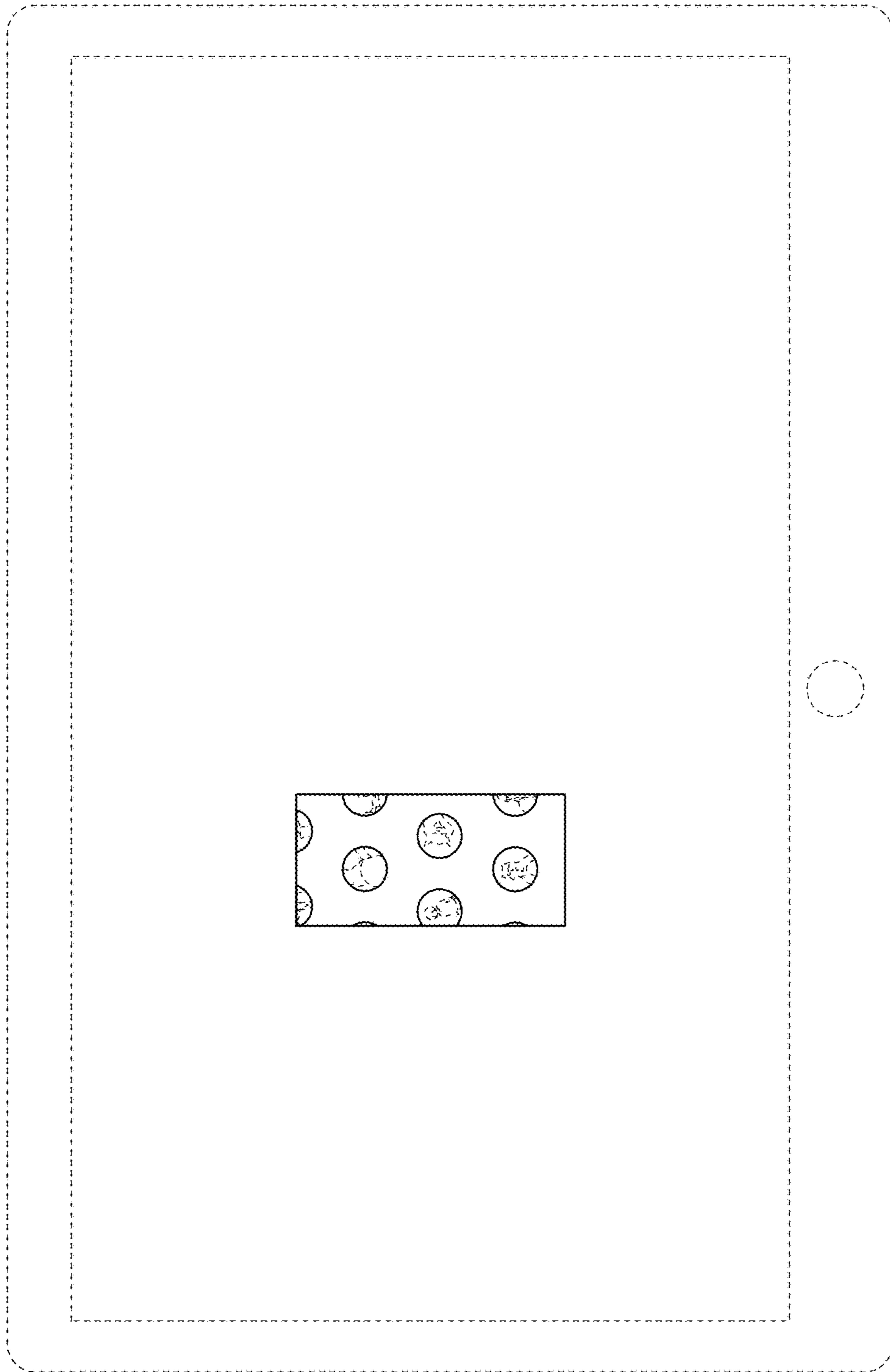


FIG. 5

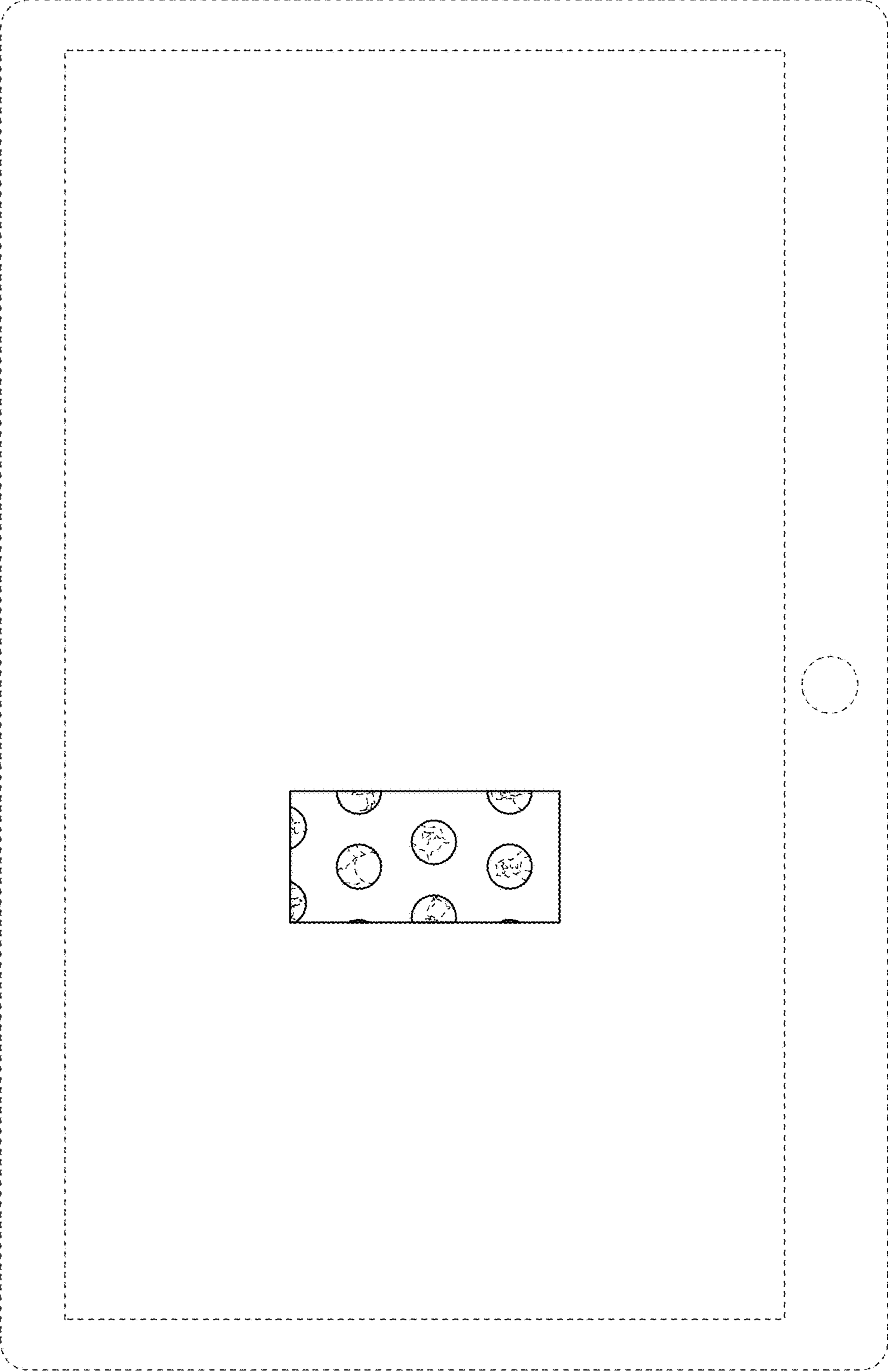


FIG. 6



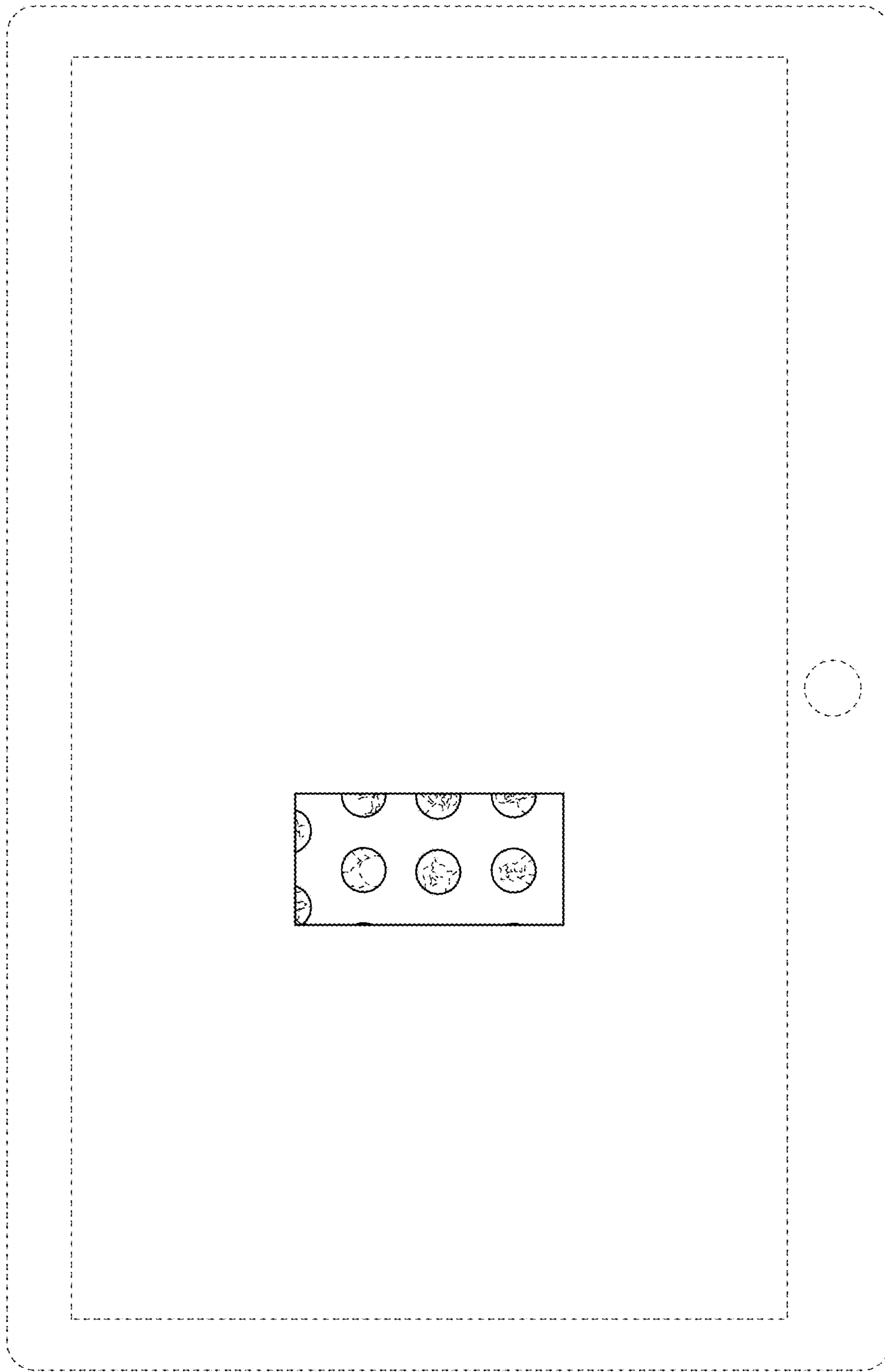


FIG. 7

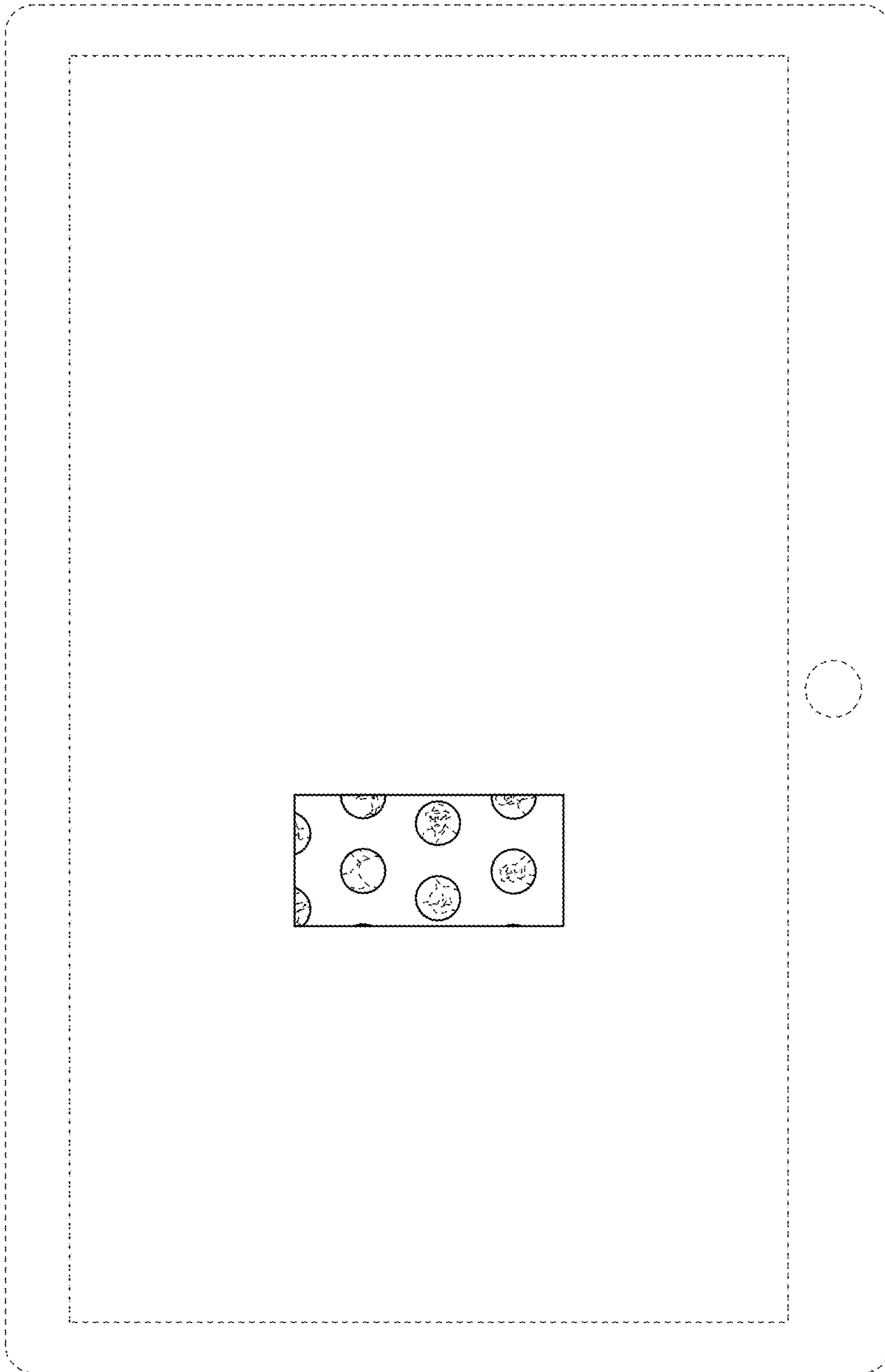


FIG. 8

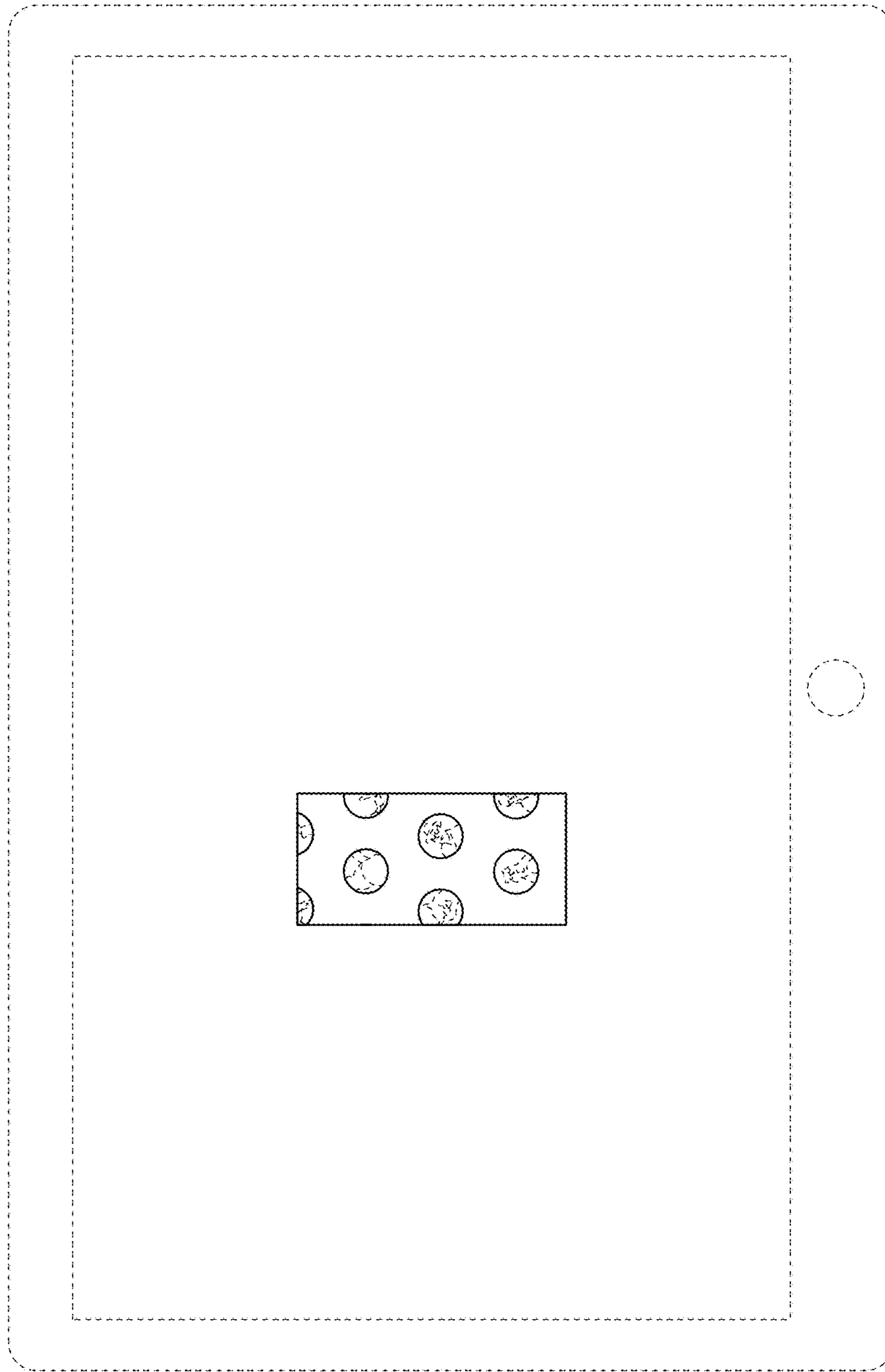


FIG. 9

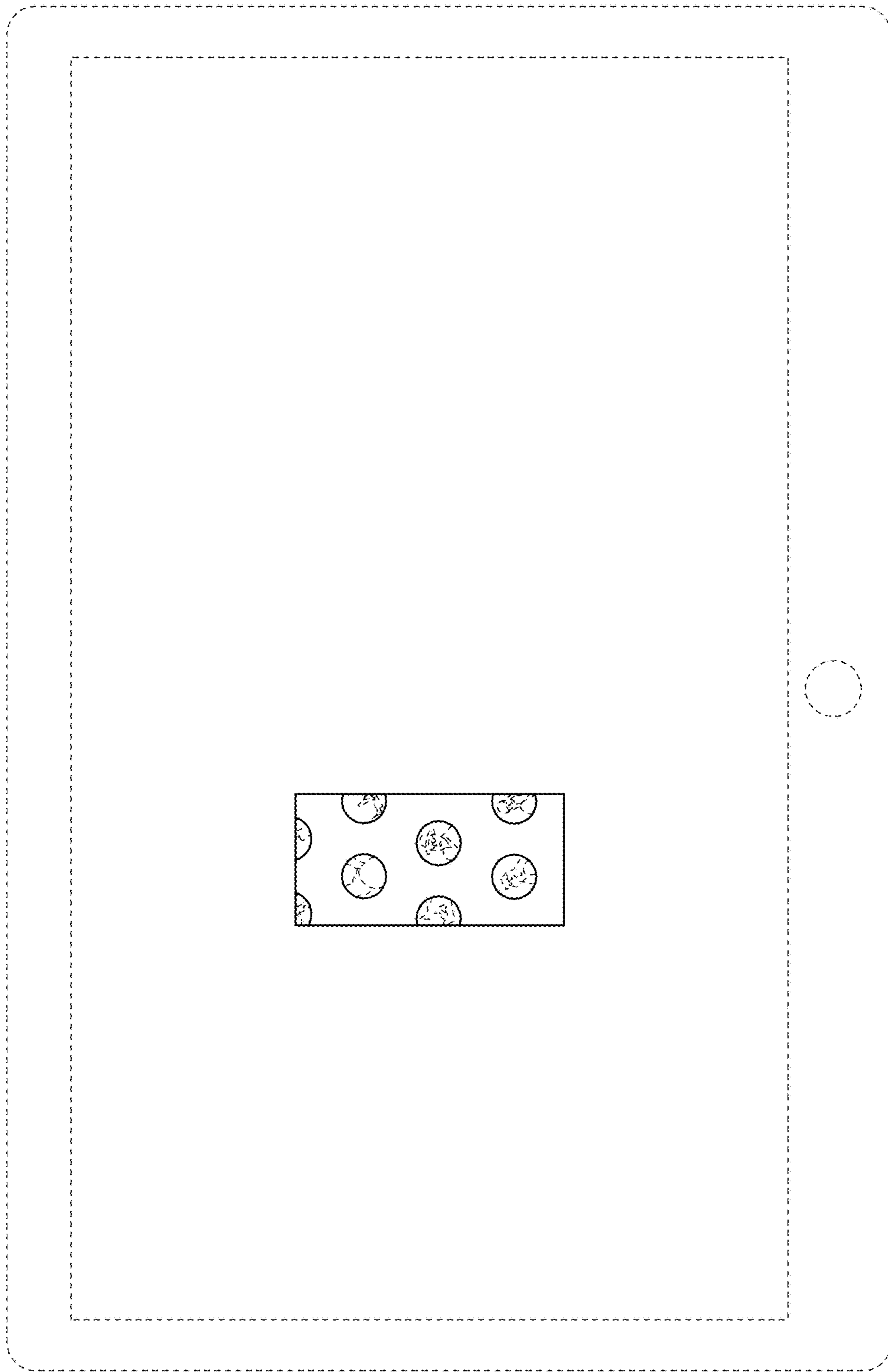


FIG. 10

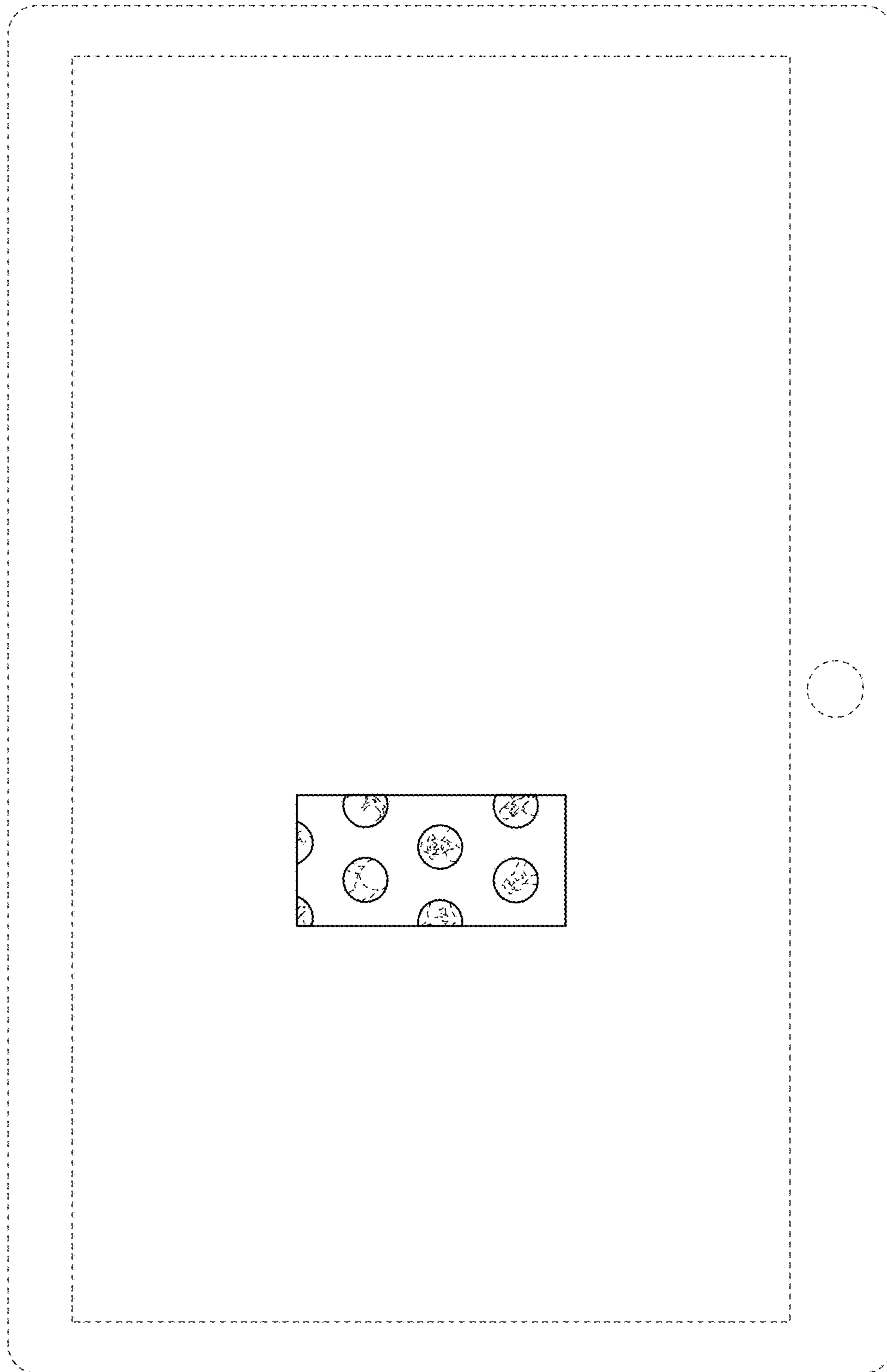


FIG. 11

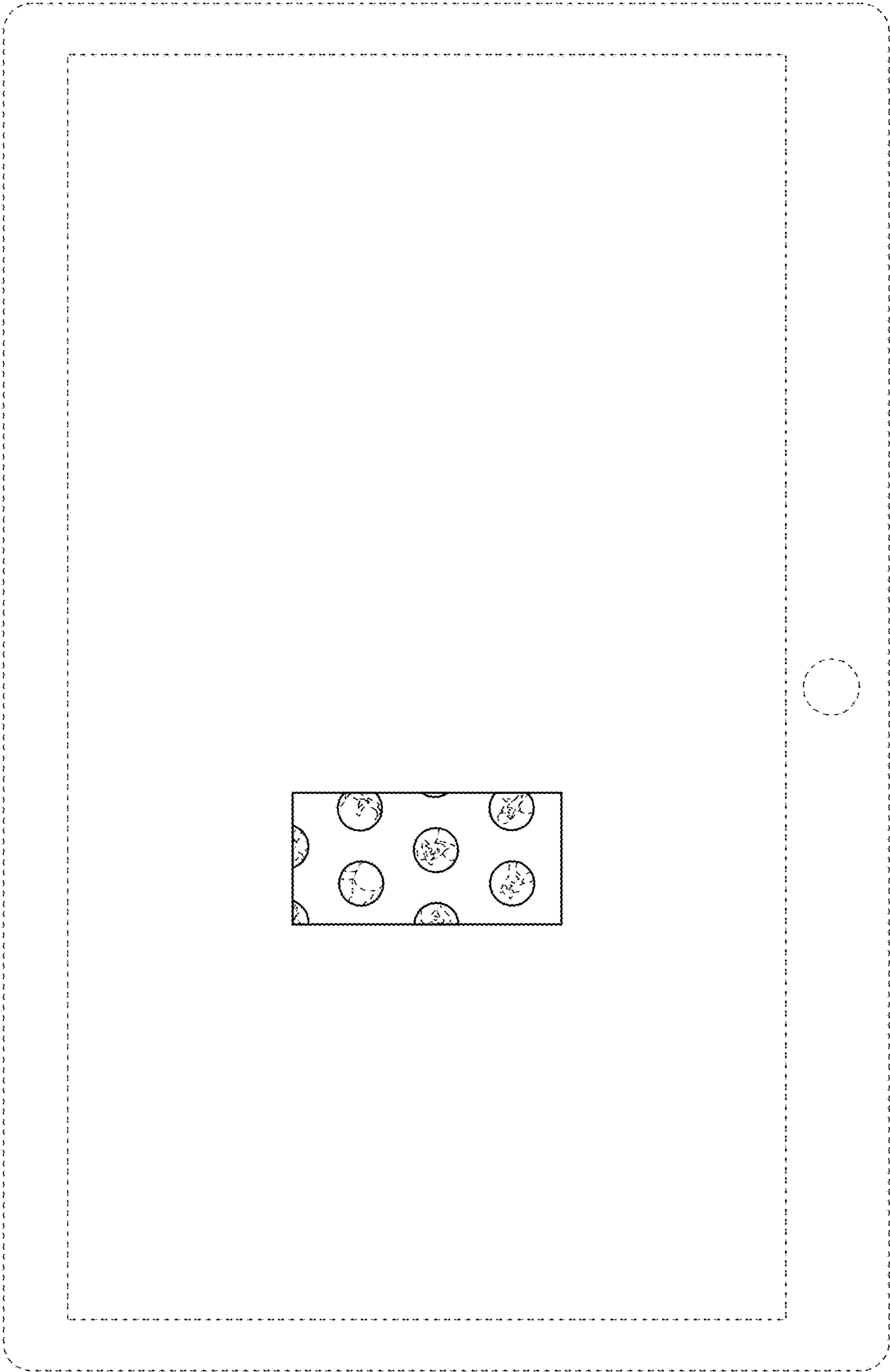


FIG. 12

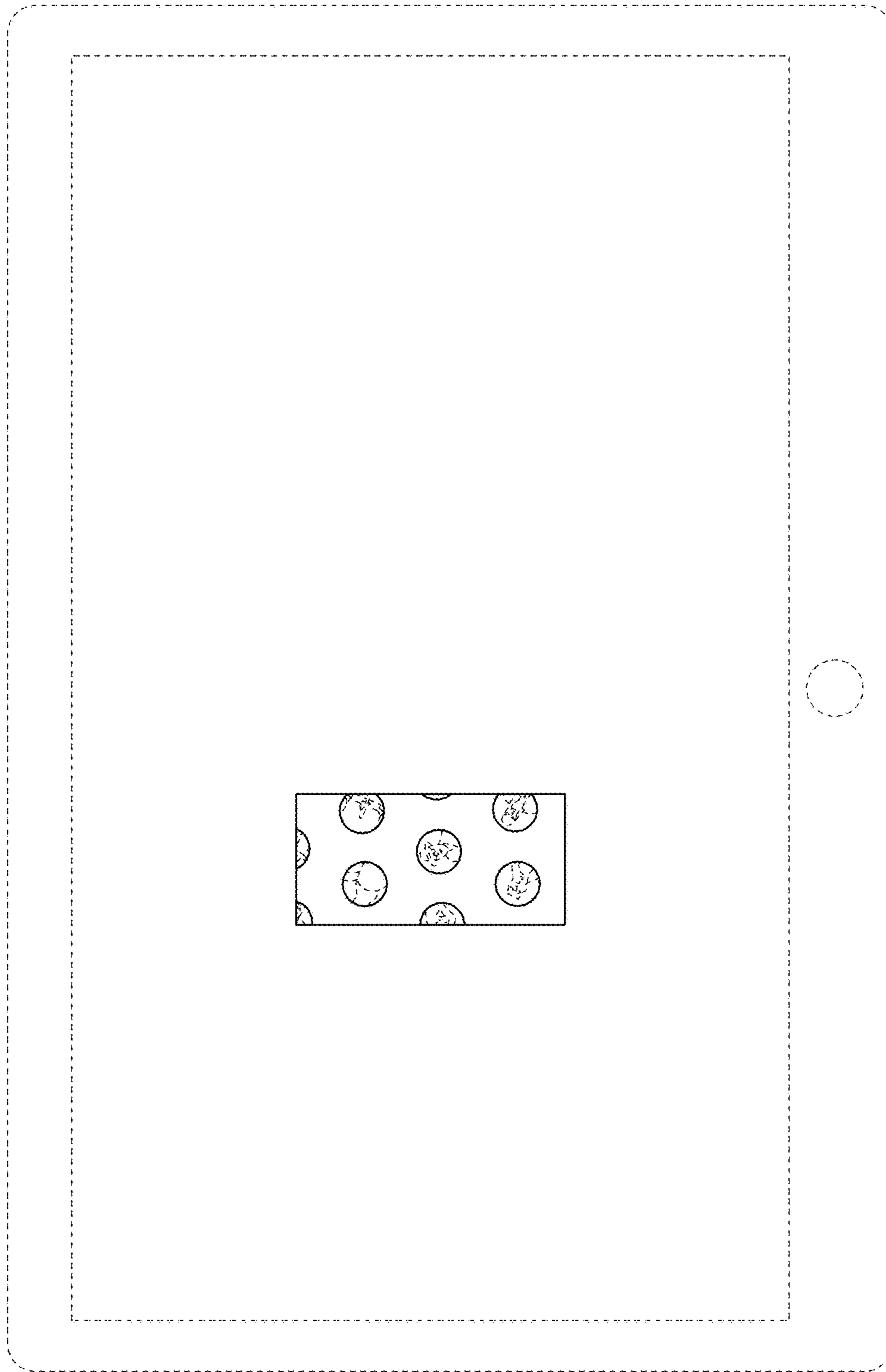


FIG. 13

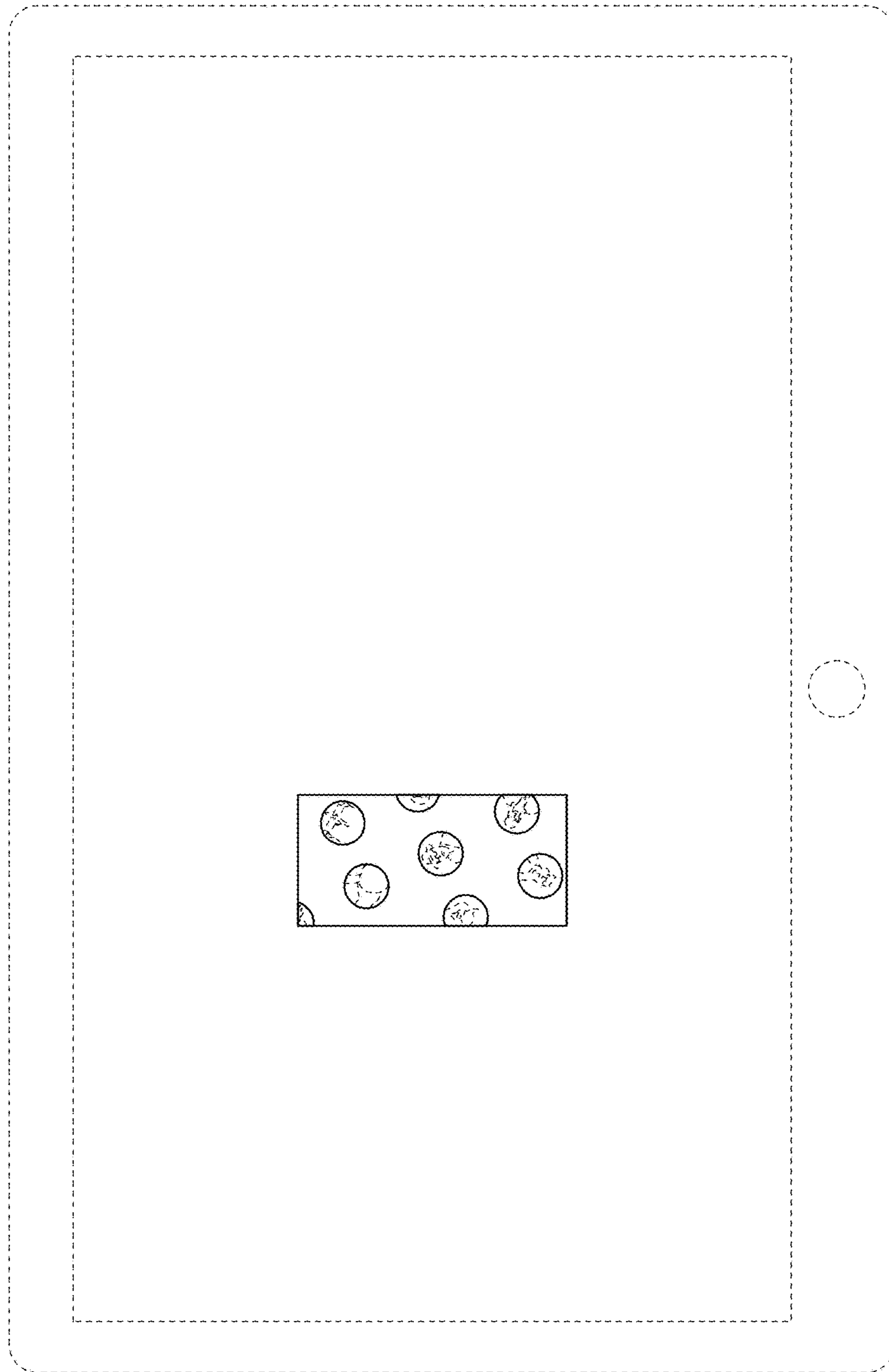


FIG. 14



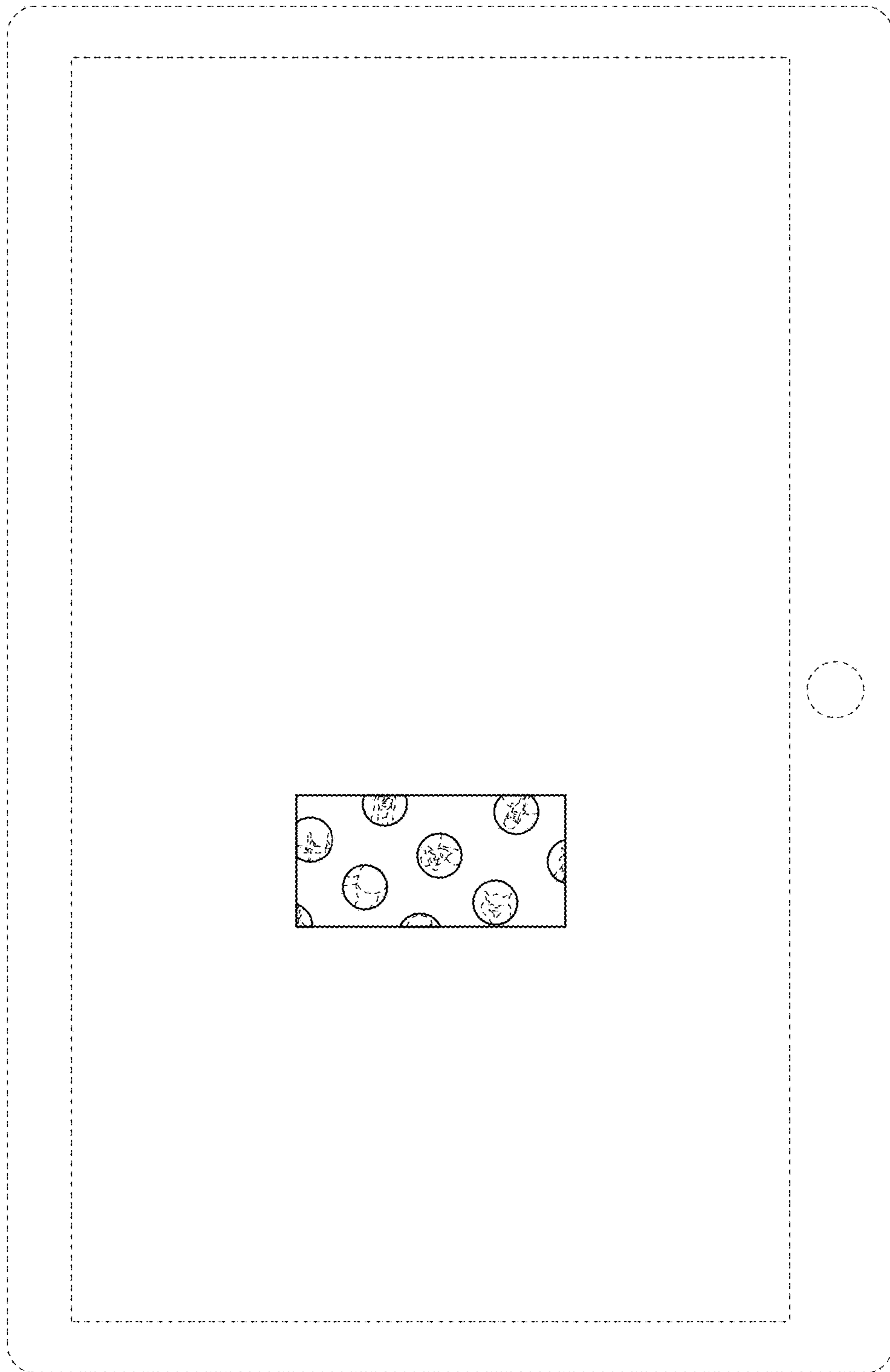


FIG. 15

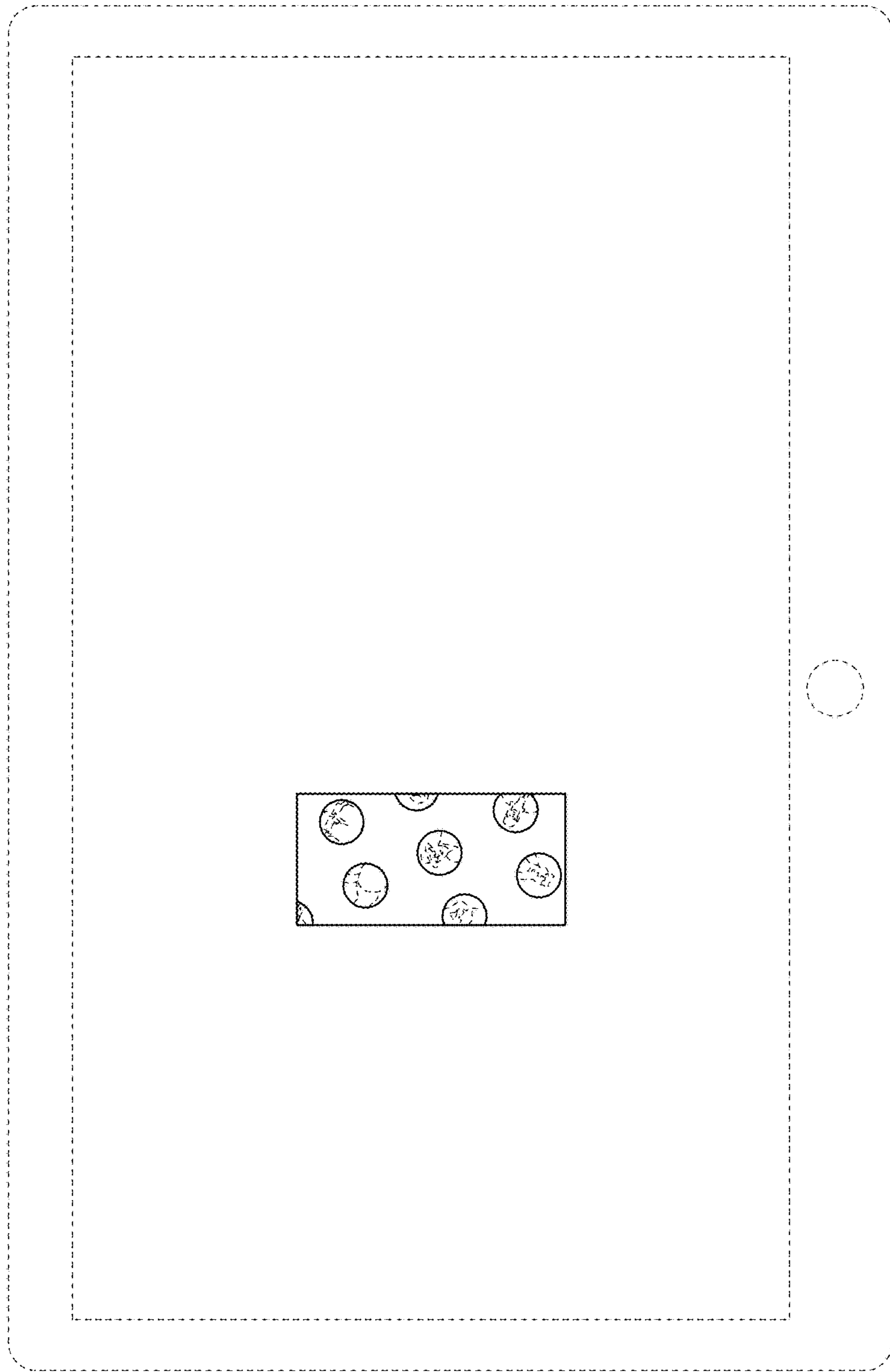


FIG. 16

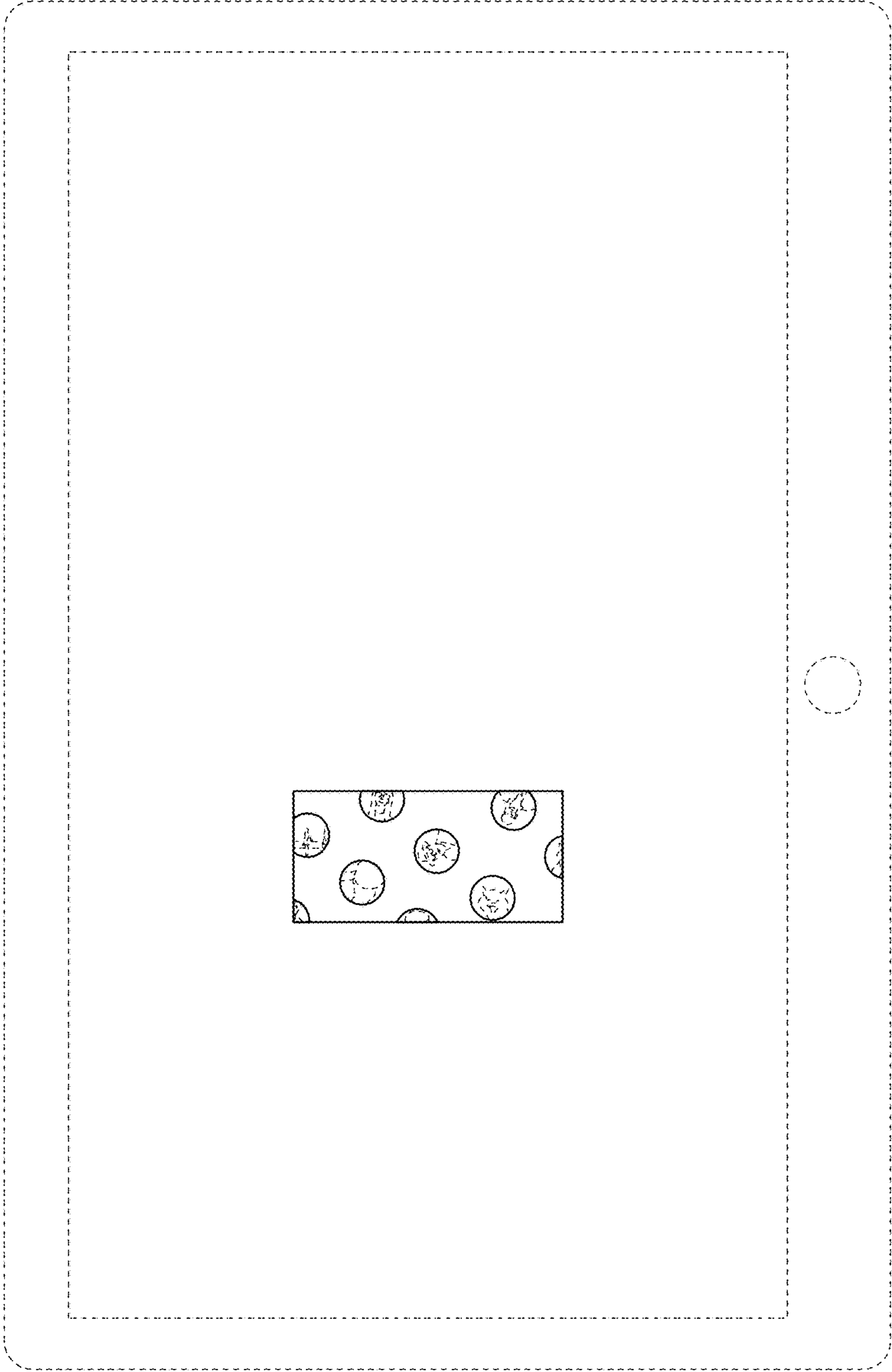


FIG. 17

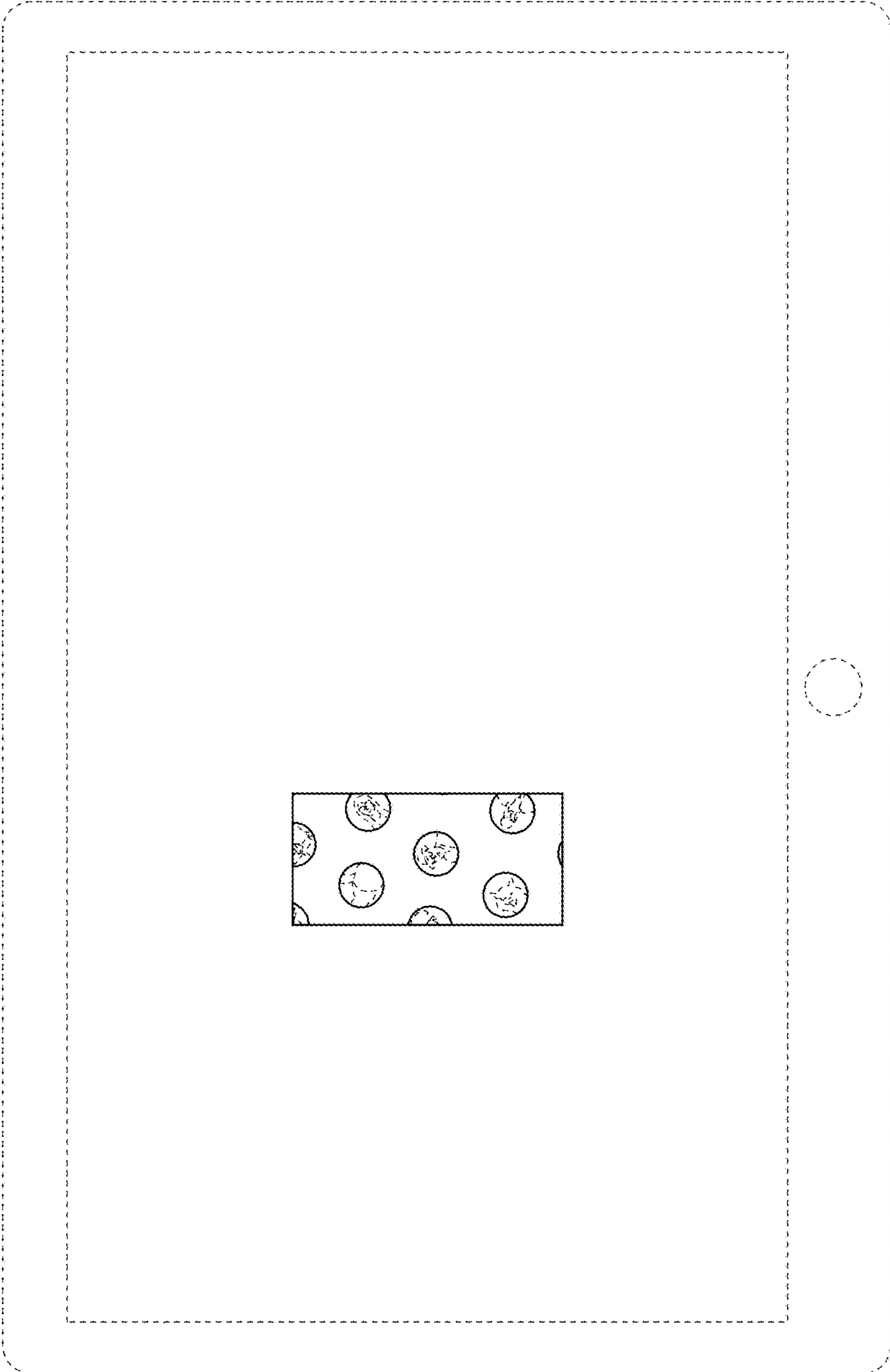


FIG. 18

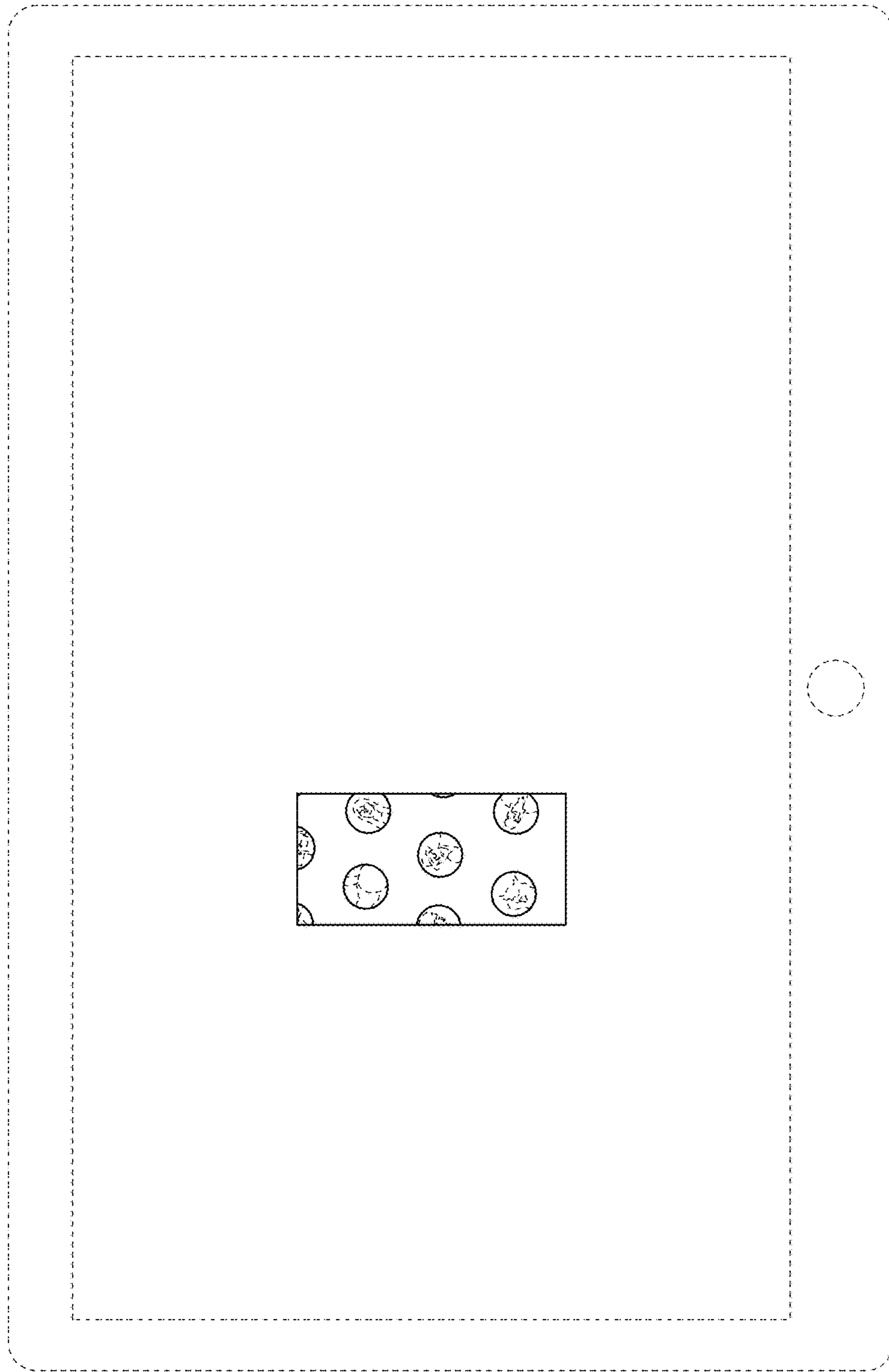


FIG. 19

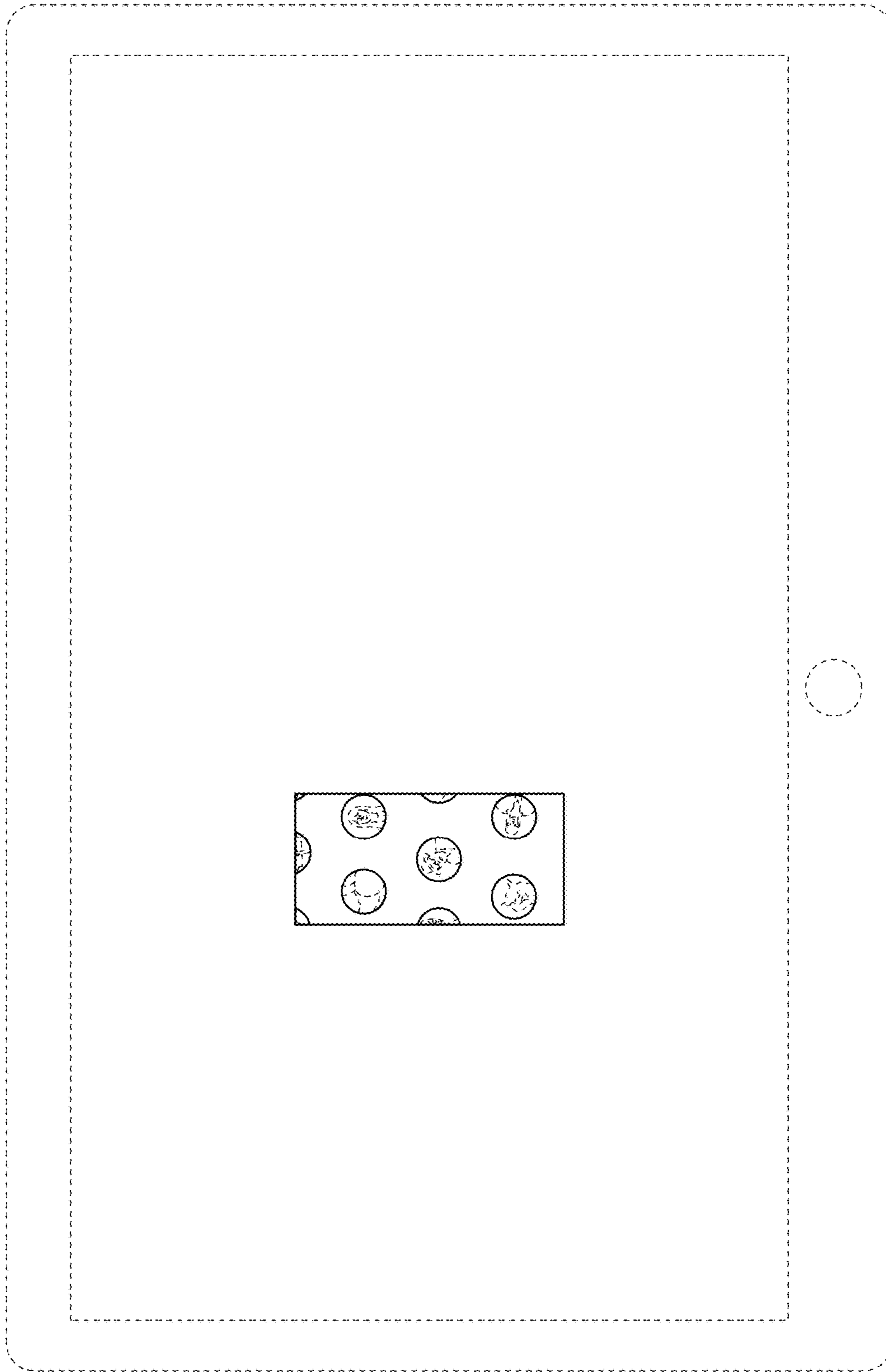


FIG. 20