



US00D776669S

(12) **United States Design Patent** (10) **Patent No.:** **US D776,669 S**
Mihara (45) **Date of Patent:** **** Jan. 17, 2017**

(54) **OIL DAMPER**
 (71) Applicant: **NIDEC SANKYO CORPORATION,**
 Nagano (JP)
 (72) Inventor: **Naoya Mihara,** Nagano (JP)
 (73) Assignee: **NIDEC SANKYO CORPORATION,**
 Nagano (JP)
 (**) Term: **15 Years**
 (21) Appl. No.: **29/539,132**
 (22) Filed: **Sep. 10, 2015**

5,211,267 A * 5/1993 Clark F16D 57/00
 16/82
 5,906,010 A * 5/1999 Suzuki A47K 13/12
 16/342
 6,393,624 B1 * 5/2002 Iwashita A47K 13/10
 4/246.3
 D479,242 S * 9/2003 Kurachi D14/483
 6,634,033 B2 * 10/2003 Mizuno F16F 9/14
 188/305
 D494,601 S * 8/2004 Arisaka D14/483
 D494,602 S * 8/2004 Arisaka D14/483
 D513,264 S * 12/2005 Hayashi D14/483
 D566,123 S * 4/2008 Takei D14/483
 D584,315 S * 1/2009 Yamaguchi D14/483
 7,798,296 B2 * 9/2010 Iwashita F16F 9/145
 188/290
 D669,484 S * 10/2012 Suzuki D14/483
 D669,485 S * 10/2012 Suzuki D14/483

(30) **Foreign Application Priority Data**
 Mar. 13, 2015 (JP) 2015-005503
 (51) **LOC (10) Cl.** **14-99**
 (52) **U.S. Cl.**
 USPC **D14/483**
 (58) **Field of Classification Search**
 USPC D15/28, 147, 199, 143; D14/474-483,
 D14/496, 299; 4/236, 248; 16/330;
 188/290, 283
 CPC E05Y 2201/21; E05Y 2201/266; E05Y
 2201/256; E05F 3/14; F16F 9/12; F16F
 9/145; F16F 9/14; F16F 9/516; F16F 9/50;
 F16F 2230/0064; A47K 13/12; A47K
 13/04; Y10T 16/540255; Y10T 464/50
 See application file for complete search history.

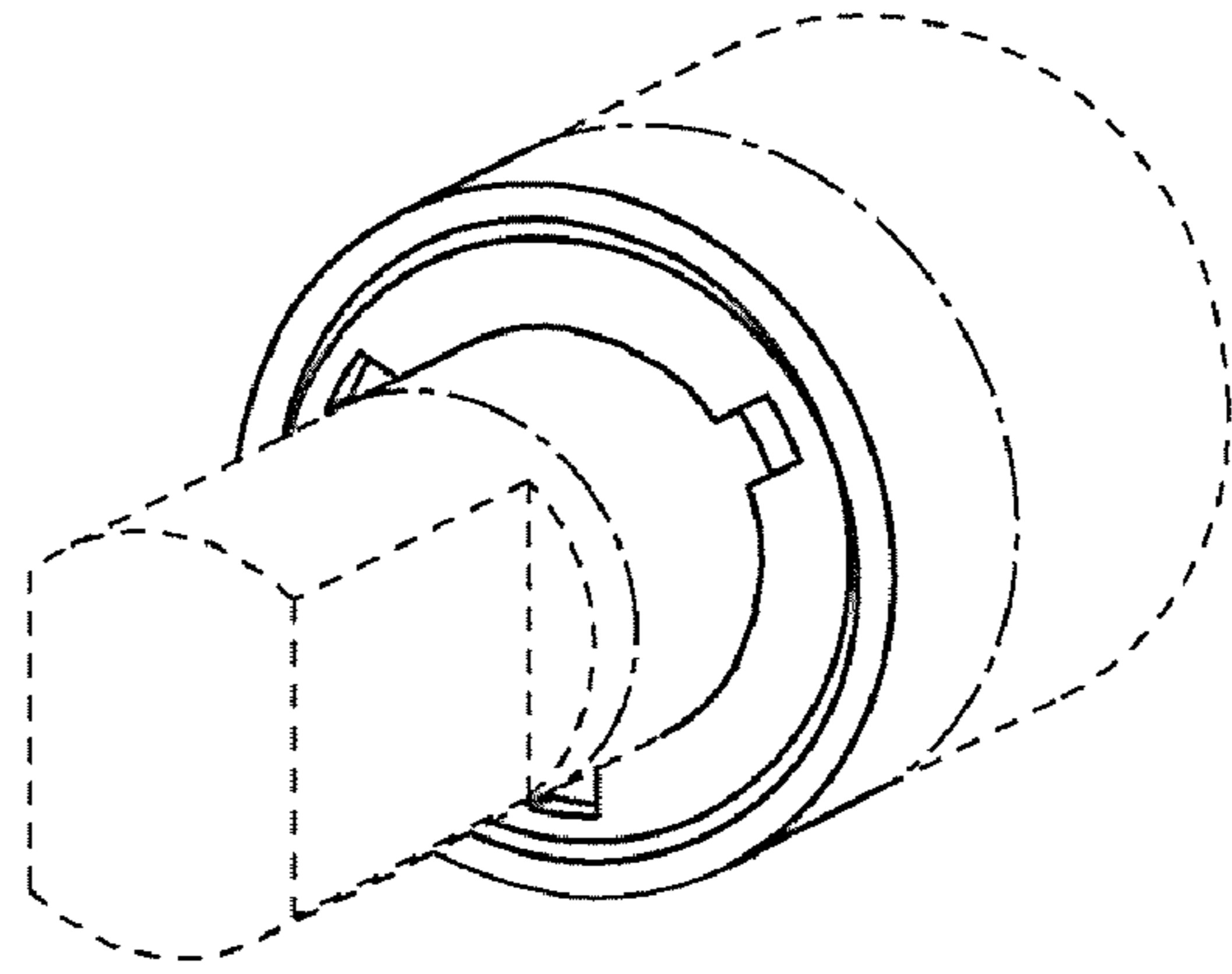
(Continued)
Primary Examiner — Mark Goodwin
 (74) *Attorney, Agent, or Firm* — Jianq Chyun IP Office

(56) **References Cited**
 U.S. PATENT DOCUMENTS
 4,796,732 A * 1/1989 Kong E05F 3/108
 137/513.3
 4,893,522 A * 1/1990 Arakawa E05F 3/14
 16/82
 5,153,946 A * 10/1992 Yoke A47K 13/10
 188/307

(57) **CLAIM**
 The ornamental design for an oil damper, as shown and described.

DESCRIPTION
 FIG. 1 is a front perspective view of an oil damper showing my new design;
 FIG. 2 is a rear perspective view thereof;
 FIG. 3 is a front view thereof;
 FIG. 4 is a rear view thereof;
 FIG. 5 is a left side view thereof;
 FIG. 6 is a right side view thereof;
 FIG. 7 is a top view thereof; and,
 FIG. 8 is a bottom view thereof.
 The dashed broken lines show portions of the oil damper and form no part of the claimed design. The dot-dashed broken lines represent a boundary of the claimed design and form no part of the claimed design.

1 Claim, 5 Drawing Sheets



(56)

References Cited

U.S. PATENT DOCUMENTS

D670,298	S *	11/2012	Shimozaki	D14/483
D670,299	S *	11/2012	Suzuki	D14/483
D670,300	S *	11/2012	Suzuki	D14/483
D670,301	S *	11/2012	Suzuki	D14/483
D670,302	S *	11/2012	Suzuki	D14/483
D670,303	S *	11/2012	Shimozaki	D14/483
D670,304	S *	11/2012	Shimozaki	D14/483
D670,305	S *	11/2012	Shimozaki	D14/483
D670,307	S *	11/2012	Shimozaki	D14/483
8,307,503	B1 *	11/2012	Burger	E05F 1/1215 16/277
8,439,172	B2 *	5/2013	Lee	A47K 13/12 16/330
8,516,657	B2 *	8/2013	Yoshida	A47K 13/12 16/284
8,769,770	B2 *	7/2014	Kullman	B65F 1/068 16/49
9,414,724	B2 *	8/2016	Vallance	A47K 13/12
2003/0126717	A1 *	7/2003	Iwashita	A47K 13/10 16/82
2003/0234145	A1 *	12/2003	Iwashita	A47K 13/12 188/290
2005/0246863	A1 *	11/2005	Chesworth	E05F 1/063 16/221
2006/0230573	A1 *	10/2006	Kao	E05F 3/20 16/50
2010/0102494	A1 *	4/2010	Duc	E05F 1/12 267/140.12
2012/0080278	A1 *	4/2012	Lee	A47K 13/12 188/283
2012/0090932	A1 *	4/2012	Liu	A47K 13/12 188/290

* cited by examiner

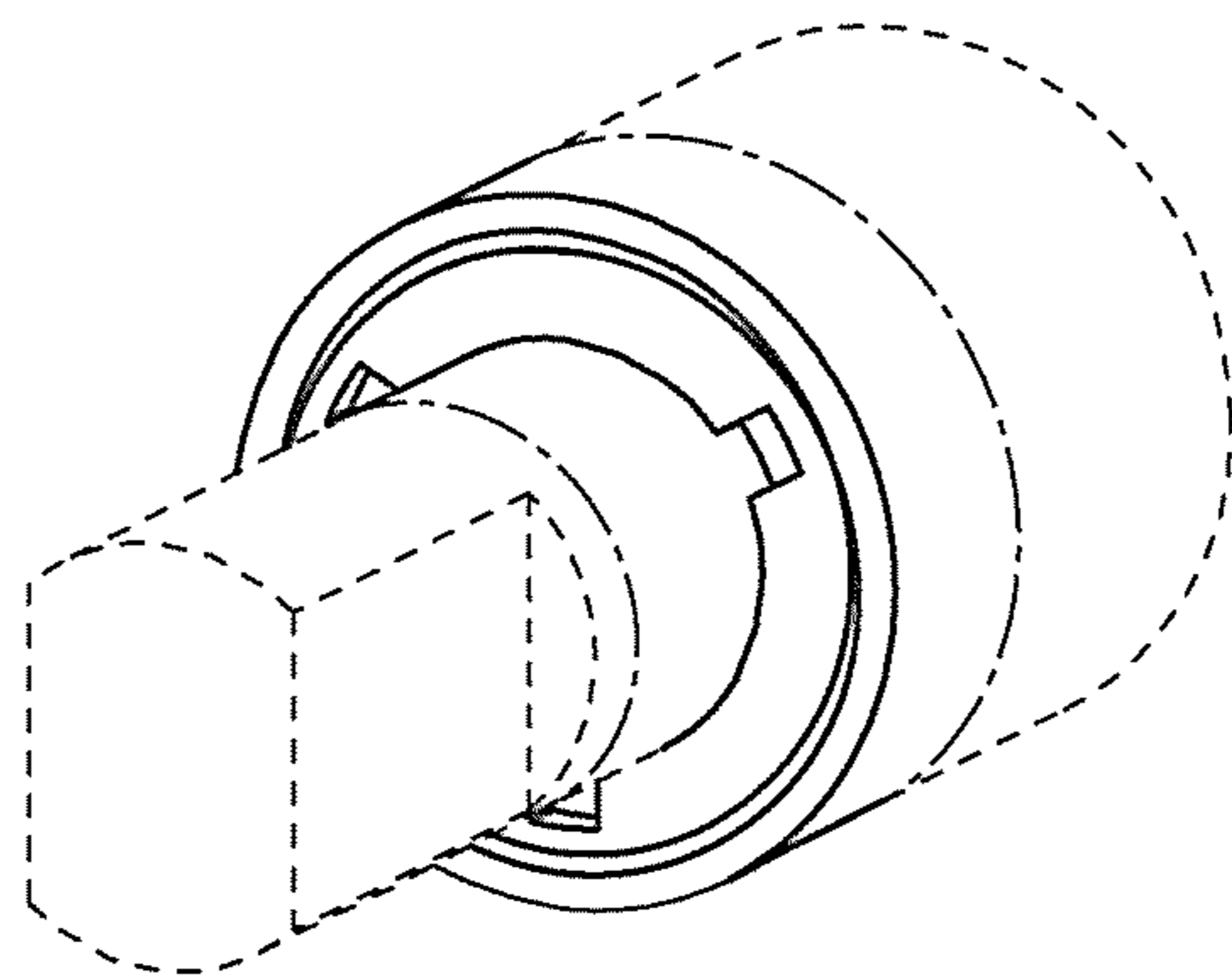


FIG. 1

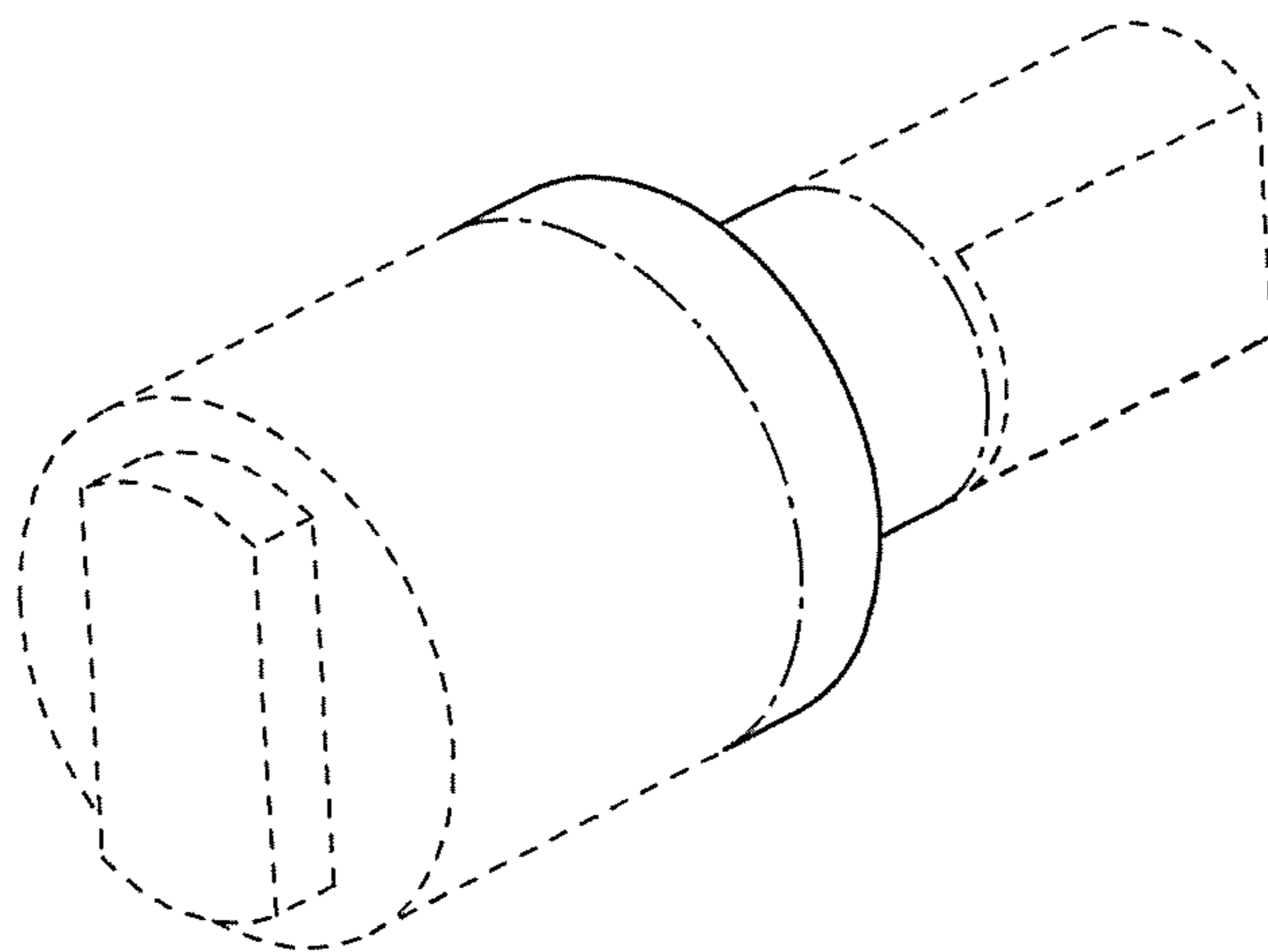


FIG. 2

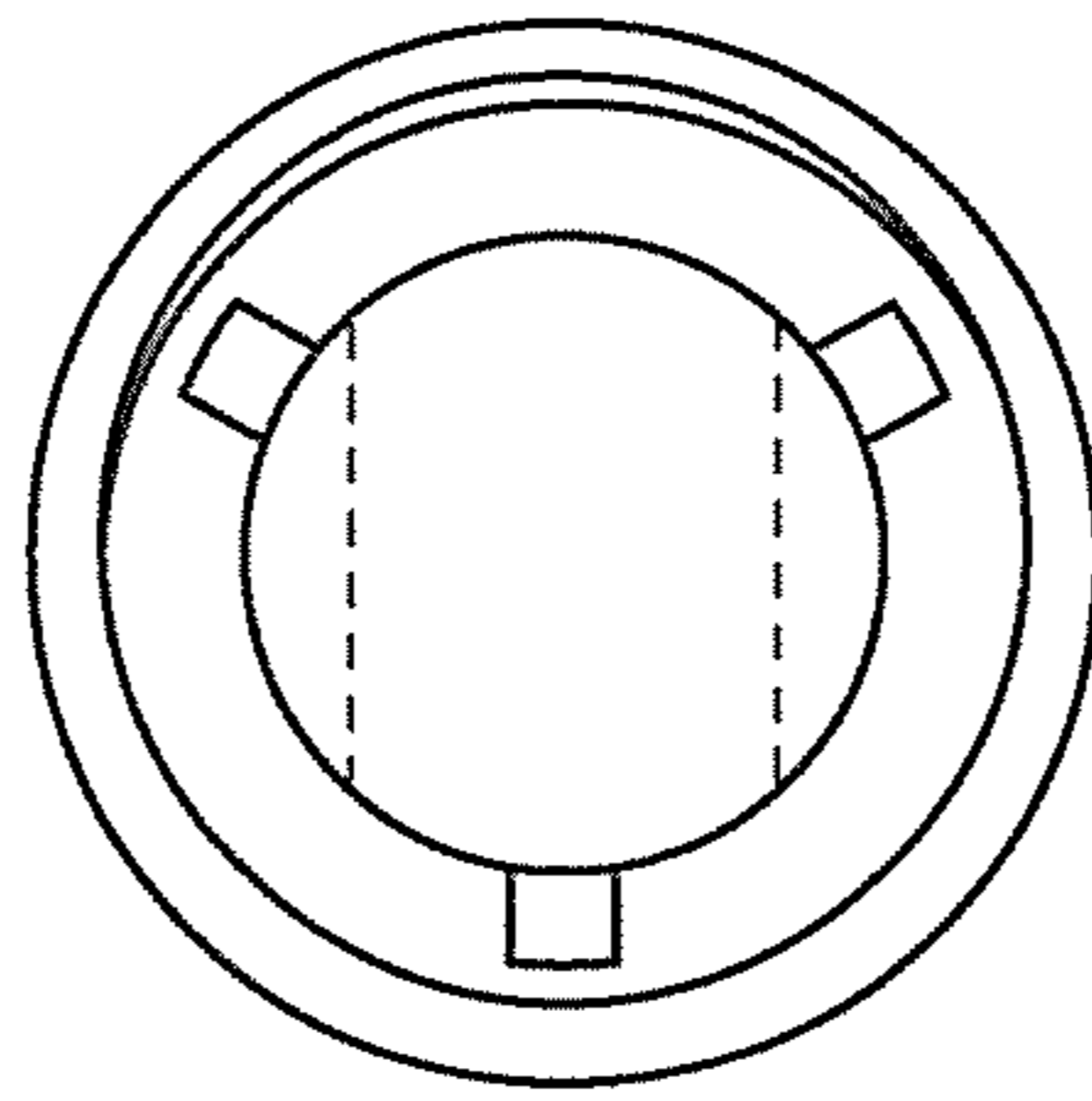


FIG. 3

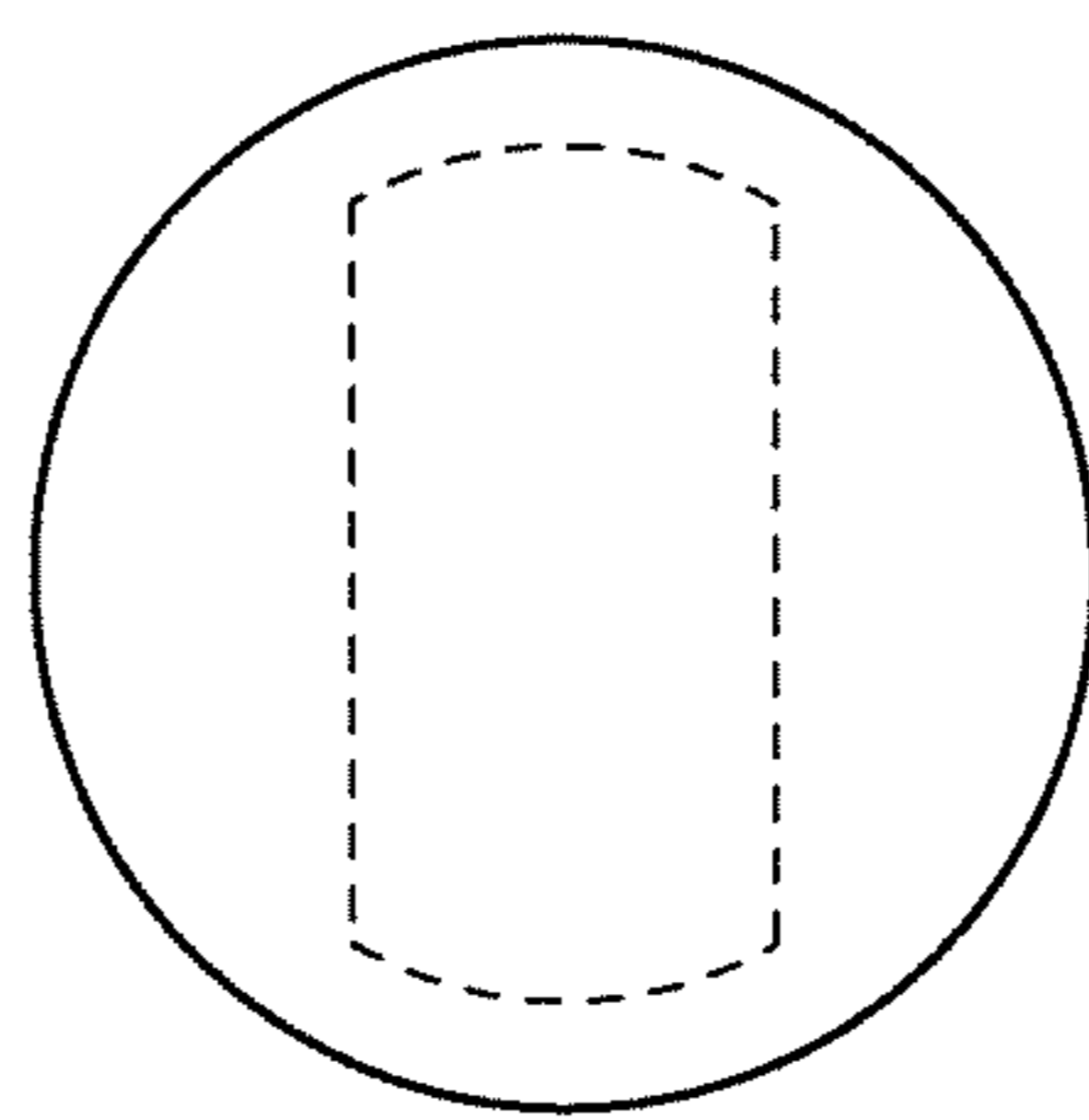


FIG. 4

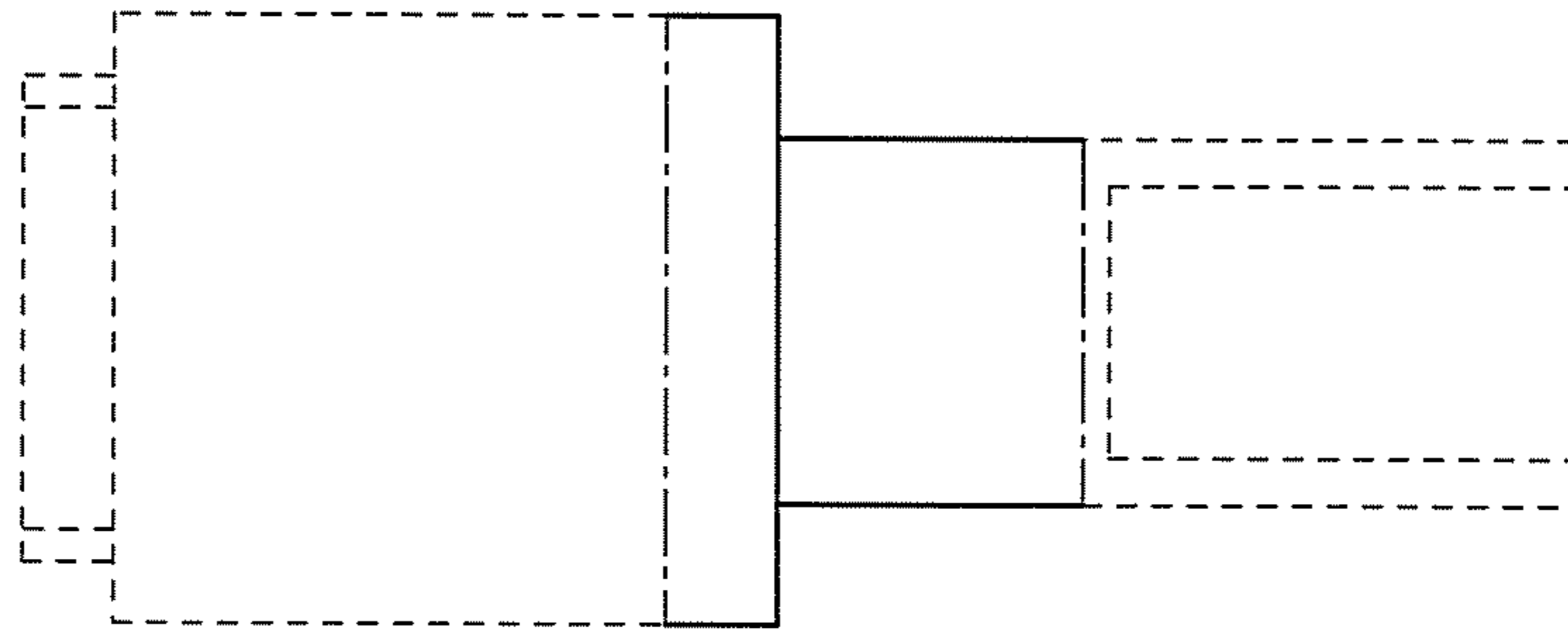


FIG. 5

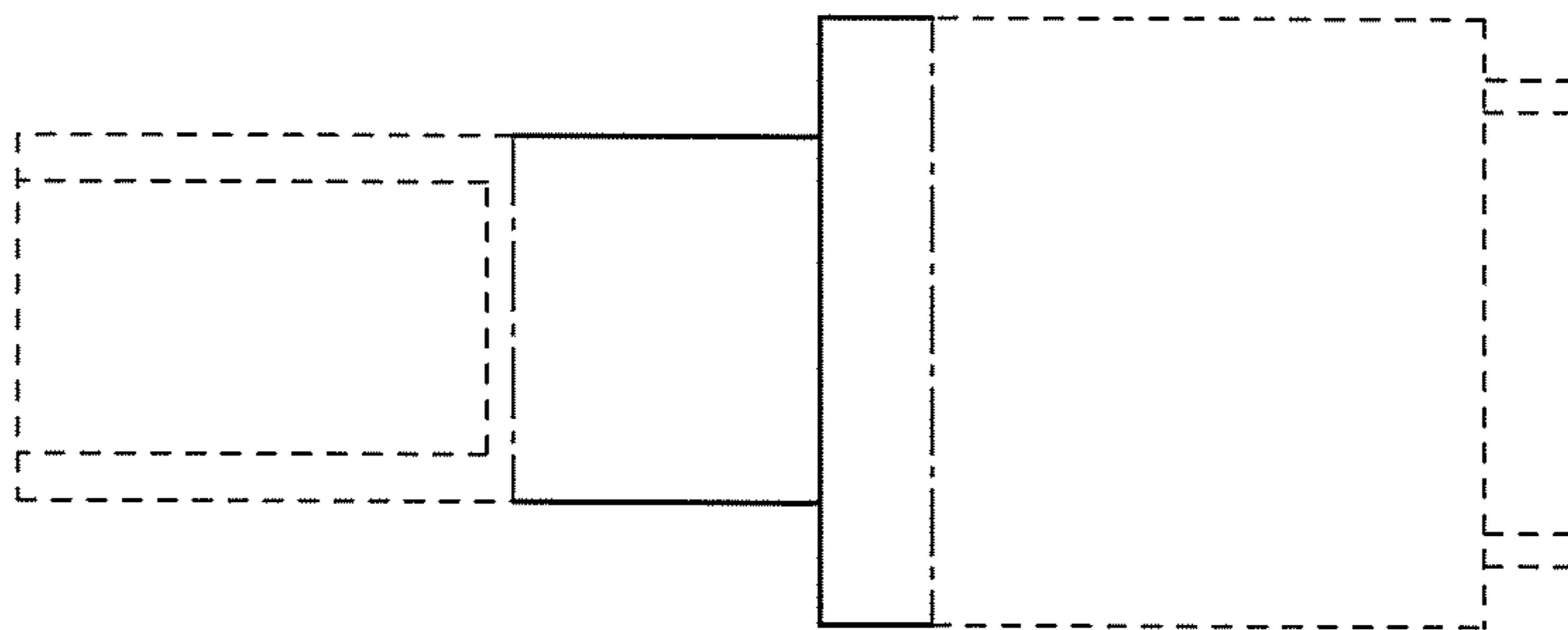


FIG. 6

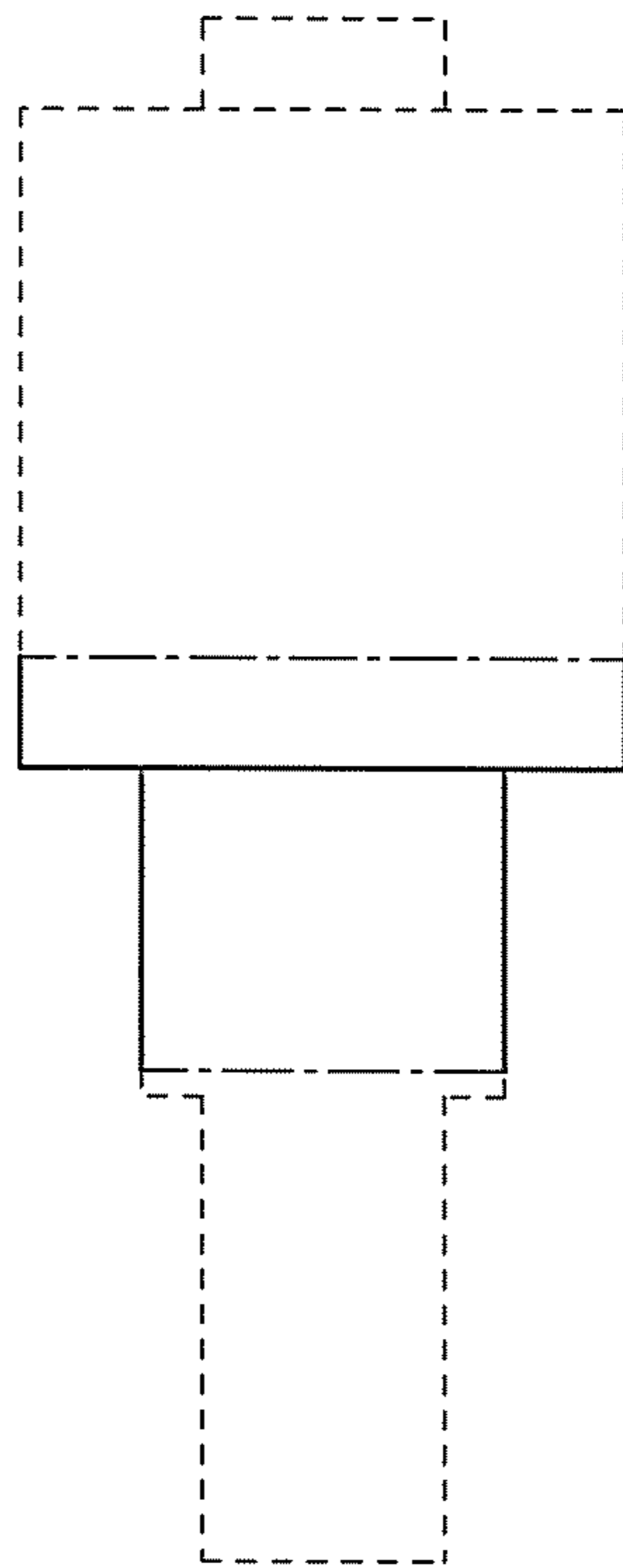


FIG. 7

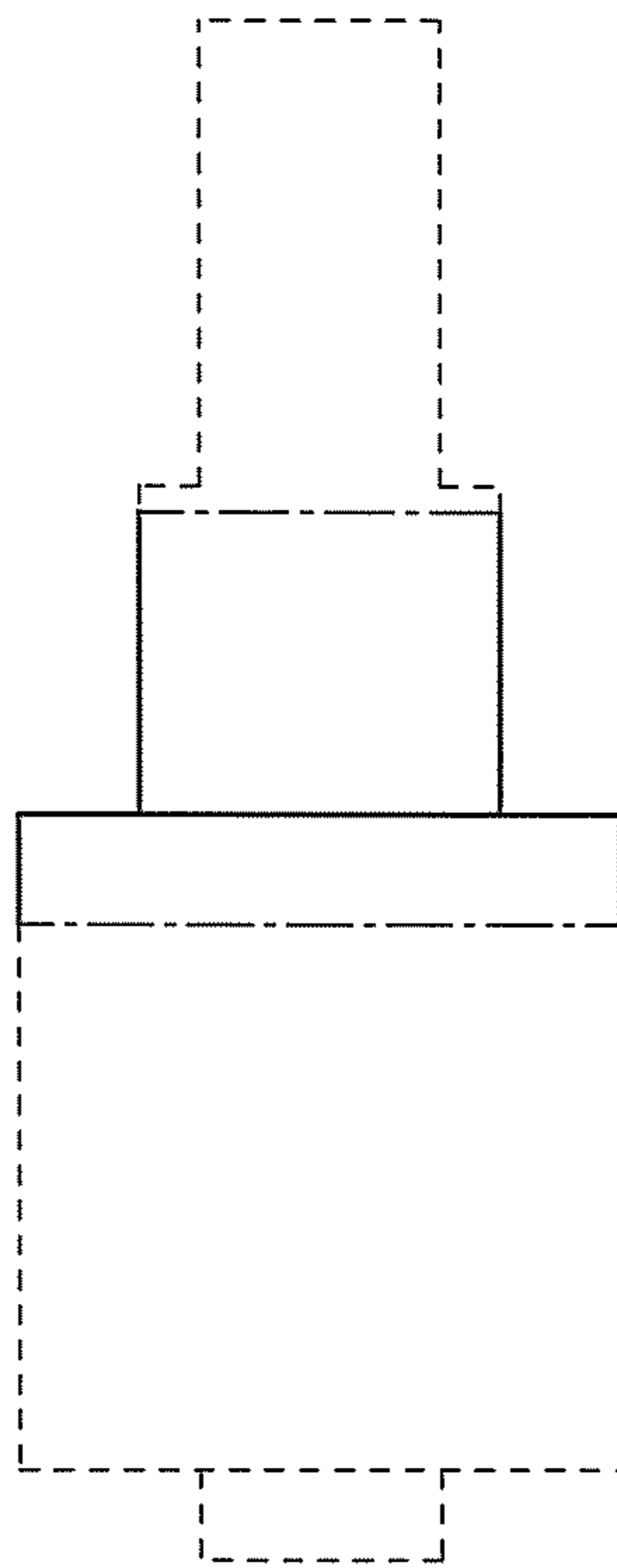


FIG. 8