



US00D776668S

(12) **United States Design Patent** (10) **Patent No.:** **US D776,668 S**  
**Wallace et al.** (45) **Date of Patent:** **\*\* Jan. 17, 2017**

(54) **DISPLAY STAND**

(71) Applicant: **Lenovo (Singapore) Pte. Ltd.**, New Tech Park (SG)

(72) Inventors: **Brian William Wallace**, Wake Forest, NC (US); **David Wayne Hill**, Cary, NC (US); **John David Swansey**, Durham, NC (US); **Cuong Huy Truong**, Cary, NC (US)

(73) Assignee: **Lenovo (Singapore) Pte. Ltd.**, New Tech Park (SG)

(\*\*) Term: **14 Years**

(21) Appl. No.: **29/518,202**

(22) Filed: **Feb. 20, 2015**

D619,569 S \* 7/2010 Honchell ..... D14/239  
D624,063 S \* 9/2010 Kasuga ..... D14/239  
7,946,542 B1 \* 5/2011 Chapman ..... B60R 11/0252  
248/122.1

(Continued)

**OTHER PUBLICATIONS**

Inside the Design Studio: ThinkVision X24 Monitor, available Mar. 31, 2015, [online], [site visited Jun. 29, 2016]. Available from internet, <URL: <http://blog.lenovo.com/en/blog/inside-the-design-studio-thinkvision-x24-monitor/>>.\*

(Continued)

**Related U.S. Application Data**

(63) Continuation-in-part of application No. 14/546,160, filed on Nov. 18, 2014, now Pat. No. 9,371,956.

(51) **LOC (10) Cl.** ..... **08-07**

(52) **U.S. Cl.**  
USPC ..... **D14/451**; D6/681.1

(58) **Field of Classification Search**

USPC ..... D6/681, 681.1; D8/349, 354, 363, 373,  
D8/376, 380; D12/407, 515; D3/218;  
D14/371–382, 125–129, 335–337,  
D14/447–452, 239, 457, 439–441, 432,  
D14/251–253, 227, 229; D26/61, 62, 93,  
D26/138, 142, 145; D16/214; 348/180,  
348/184, 325, 739, 825  
CPC ..... B60R 11/0252; Y10S 248/917; Y10S  
248/919; F16M 11/10; F16M 11/22; F16L  
3/12

See application file for complete search history.

(56) **References Cited**

**U.S. PATENT DOCUMENTS**

7,389,963 B2 \* 6/2008 Cho ..... F16M 11/26  
248/159  
7,692,815 B2 \* 4/2010 Silverbrook ..... B41J 2/01  
347/101

*Primary Examiner* — Cathron Brooks

*Assistant Examiner* — Teddy Falloway

(74) *Attorney, Agent, or Firm* — John L. Rogitz; John M. Rogitz

(57) **CLAIM**

The ornamental design for the display stand, as shown and described.

**DESCRIPTION**

FIG. 1 is a front elevational view of the display stand;  
FIG. 2 is a rear elevational view of the display stand;  
FIG. 3 is a front perspective view of the display stand;  
FIG. 4 is a rear perspective view of the display stand;  
FIG. 5 is a left elevational view of the display stand;  
FIG. 6 is a right elevational view of the display stand;  
FIG. 7 is a top plan view of the display stand; and,

(Continued)

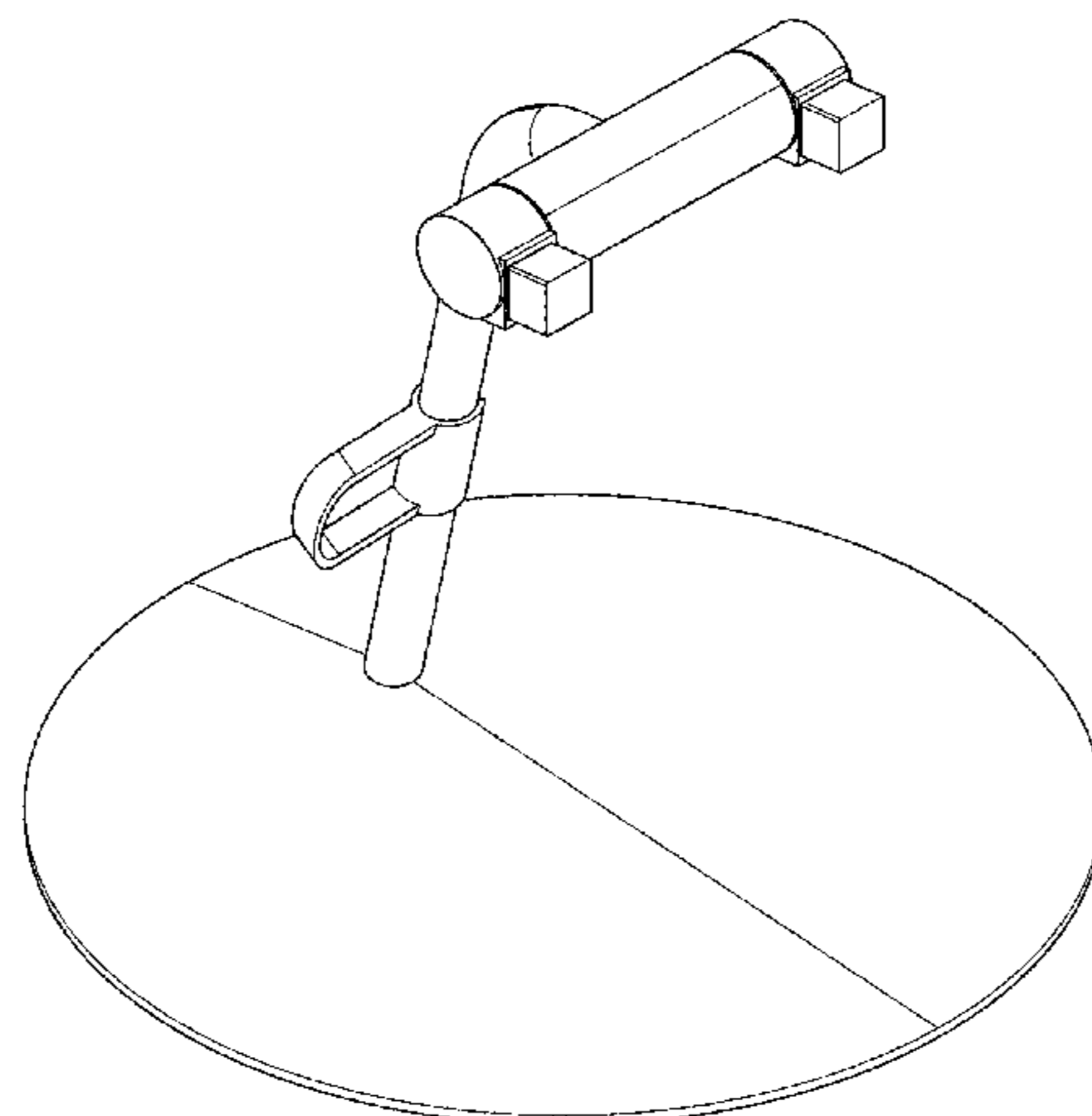


FIG. 8 is a bottom plan view of the display stand.

**1 Claim, 8 Drawing Sheets**

(56)

**References Cited**

U.S. PATENT DOCUMENTS

8,625,304	B2 *	1/2014	Shen	.....	F16M 11/046	248/122.1
D700,175	S *	2/2014	Ohm	.....	D14/253	
D700,176	S *	2/2014	Ohm	.....	D14/253	
8,800,942	B2 *	8/2014	Yu	.....	F16M 11/14	248/122.1
D733,157	S *	6/2015	Kim	.....	D14/447	
D735,210	S *	7/2015	Kim	.....	D14/447	
D758,375	S *	6/2016	Won	.....	D14/451	
2007/0228253	A1 *	10/2007	Yun	.....	F16M 11/04	248/688
2010/0006731	A1 *	1/2010	Choi	.....	F16M 11/10	248/371

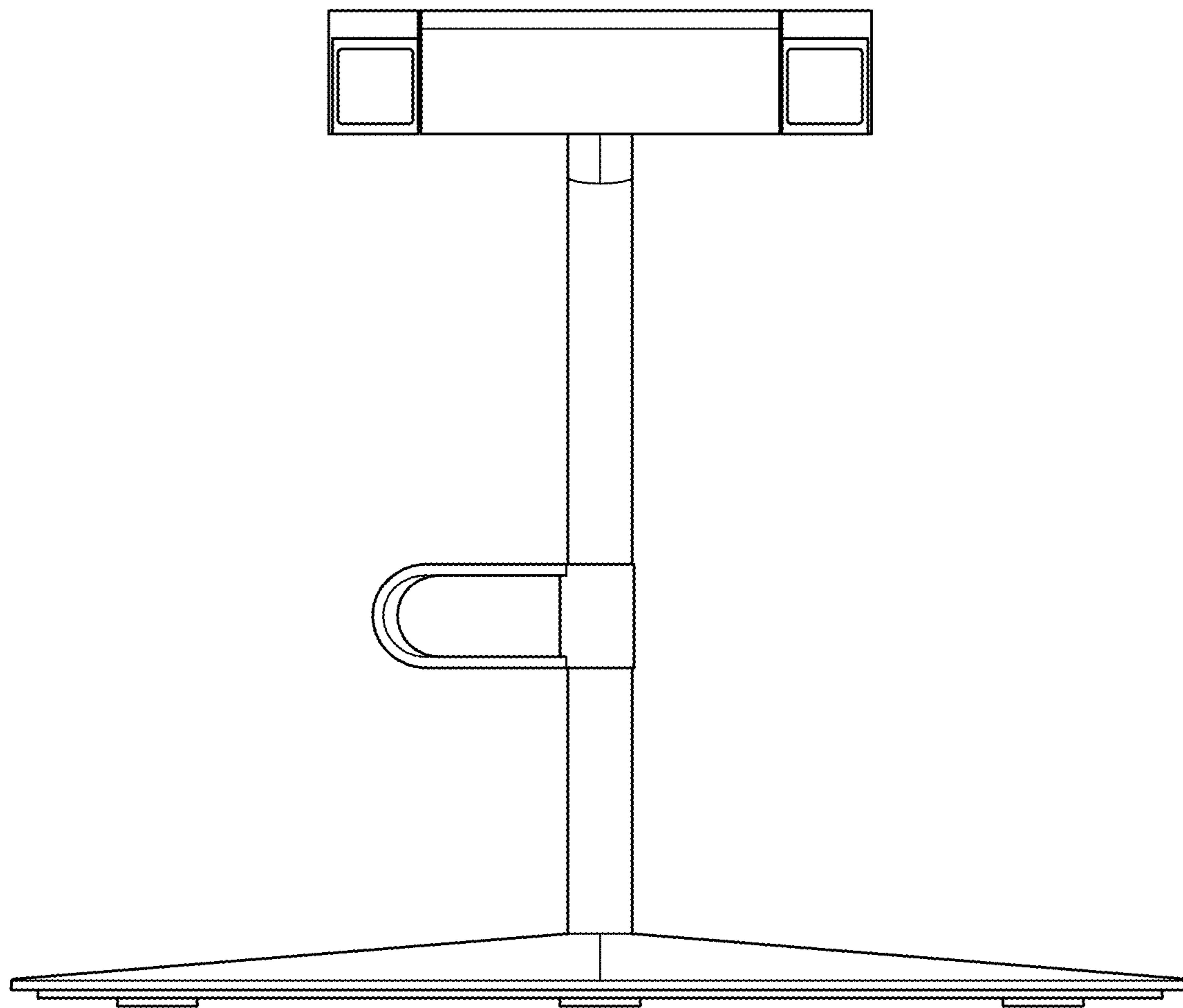
2010/0051760	A1 *	3/2010	Yang	.....	F16M 11/10	248/122.1
2010/0096525	A1 *	4/2010	Yu	.....	F16M 11/10	248/229.2
2012/0131826	A1 *	5/2012	Dai	.....	F16M 11/041	40/597
2016/0138752	A1 *	5/2016	Truong	.....	F16M 11/10	248/74.1

OTHER PUBLICATIONS

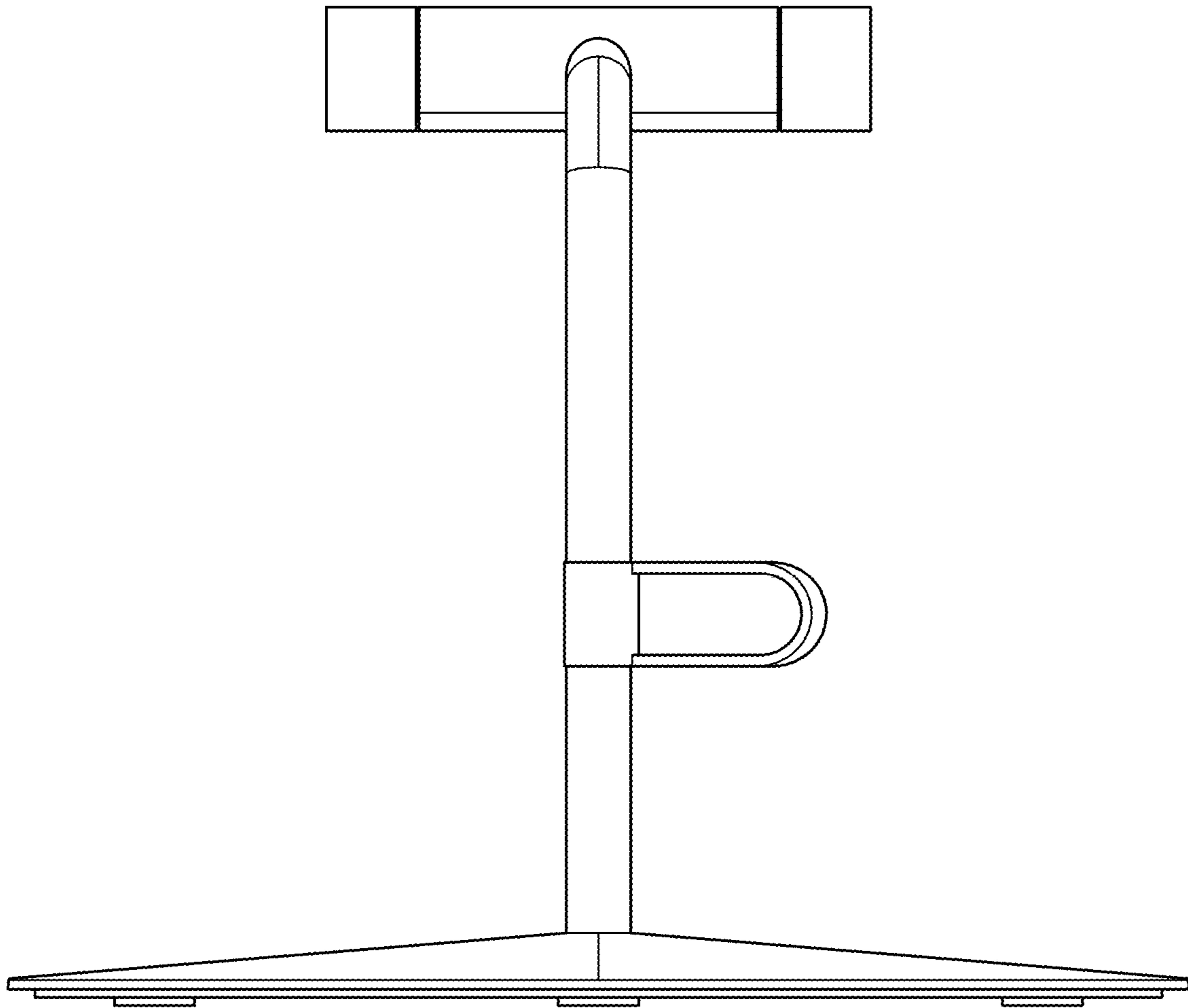
ThinkVision X24 Monitor Hands-on (YouTube), available Jan. 4, 2015, [online], [site visited Jul. 11, 2016]. Video available from internet, <URL: <https://www.youtube.com/watch?v=uyLLY2Fp6Tk>.\*

Tamashii Stage Humanoids Clear Action Figure Stand, available Nov. 5, 2012, [online], [site visited Jul. 11, 2016]. Available from internet, <URL: <http://www.entertainmentearth.com/prodinfo.asp?number=BA63159#.V4PCL032ZmM>.\*

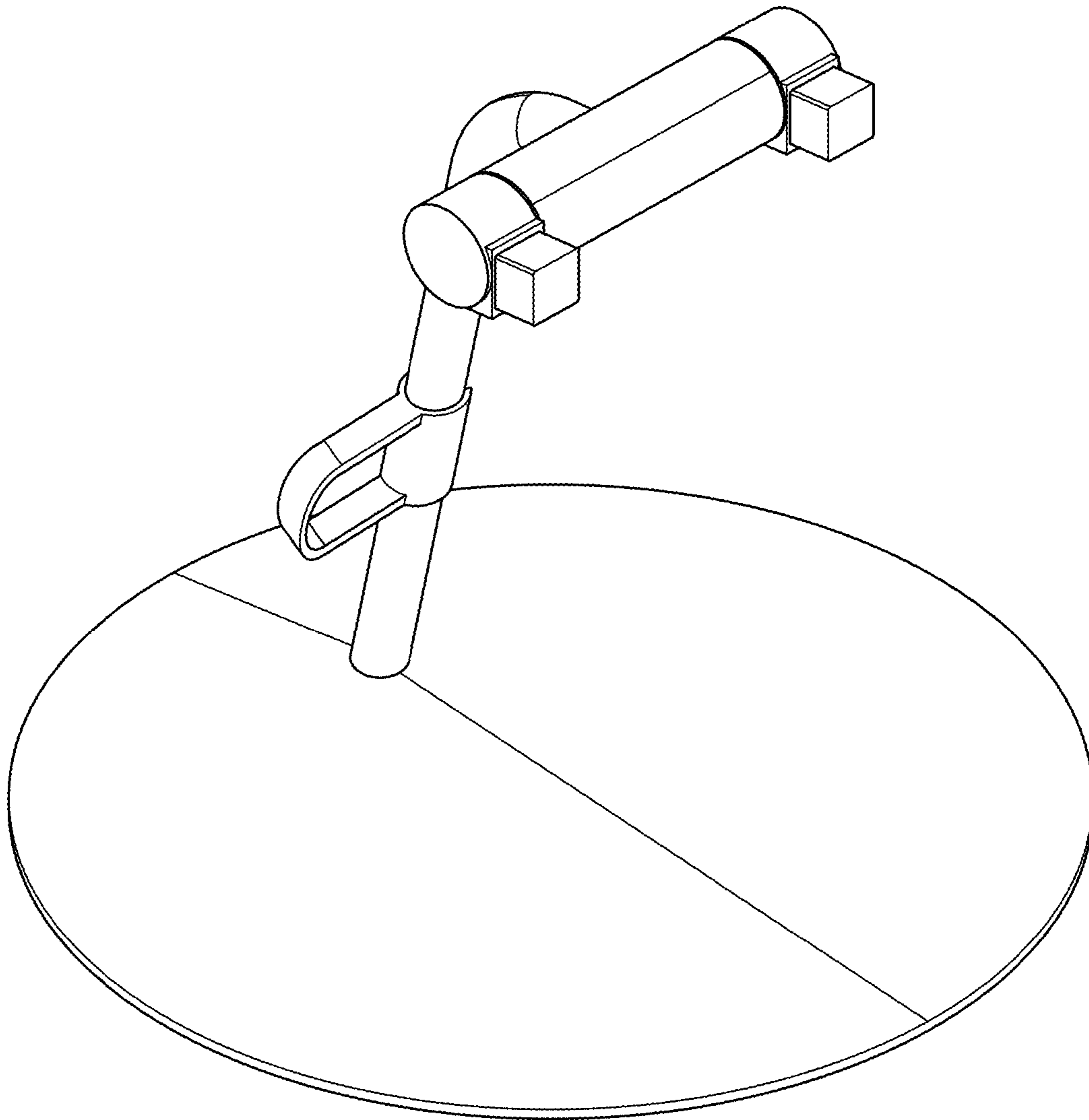
\* cited by examiner



**FIG. 1**



**FIG. 2**



**FIG. 3**

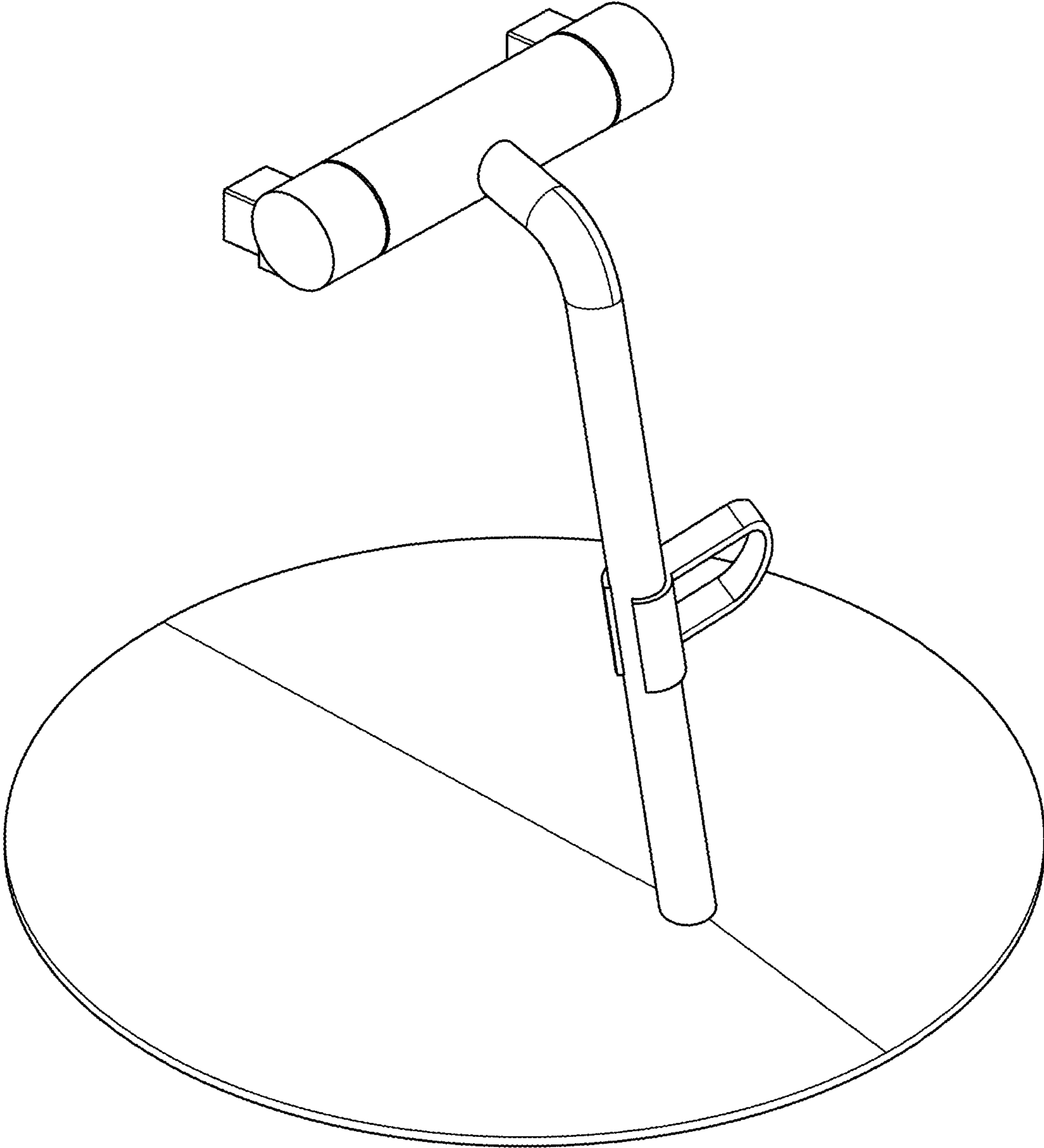
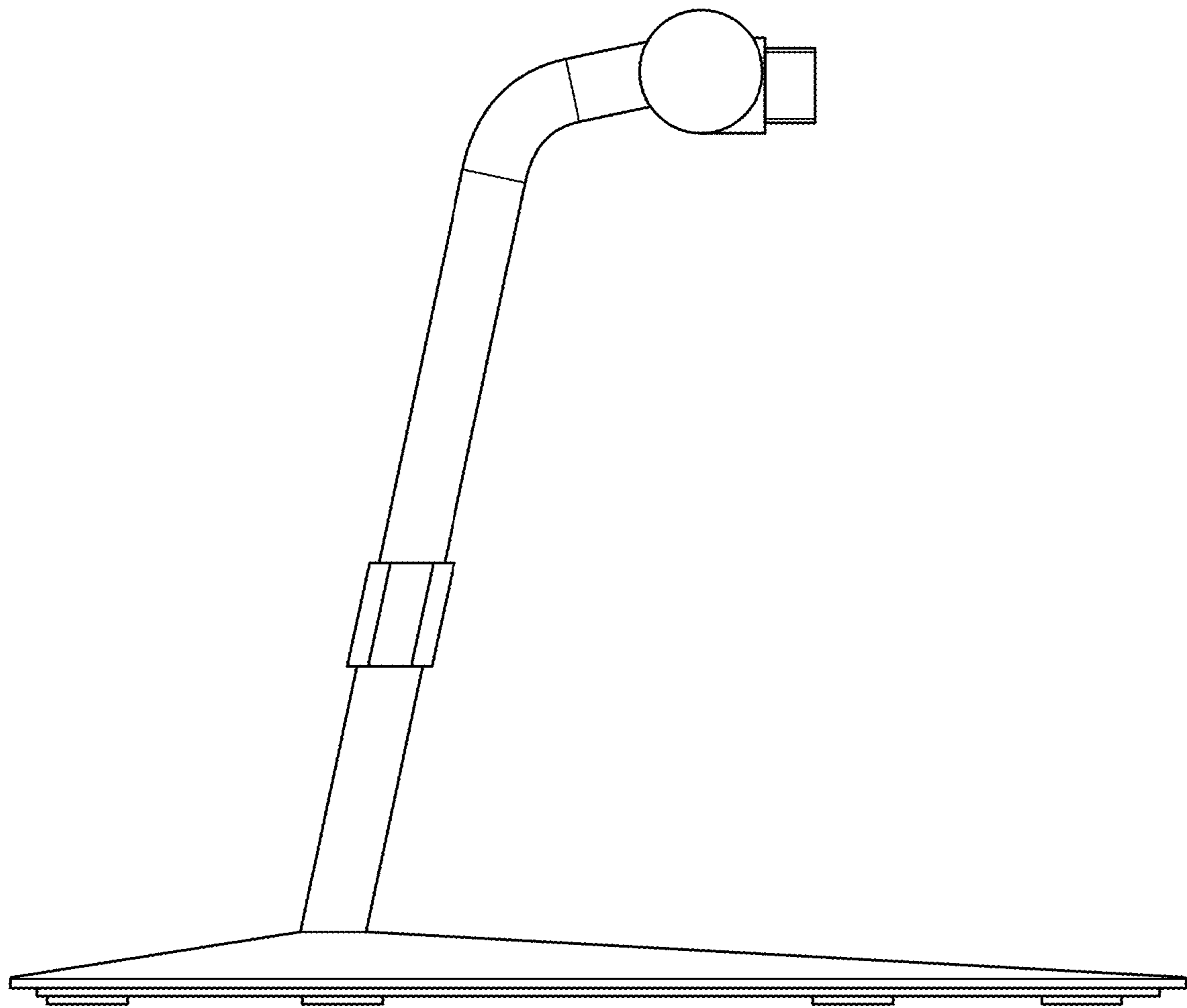


FIG. 4



**FIG. 5**

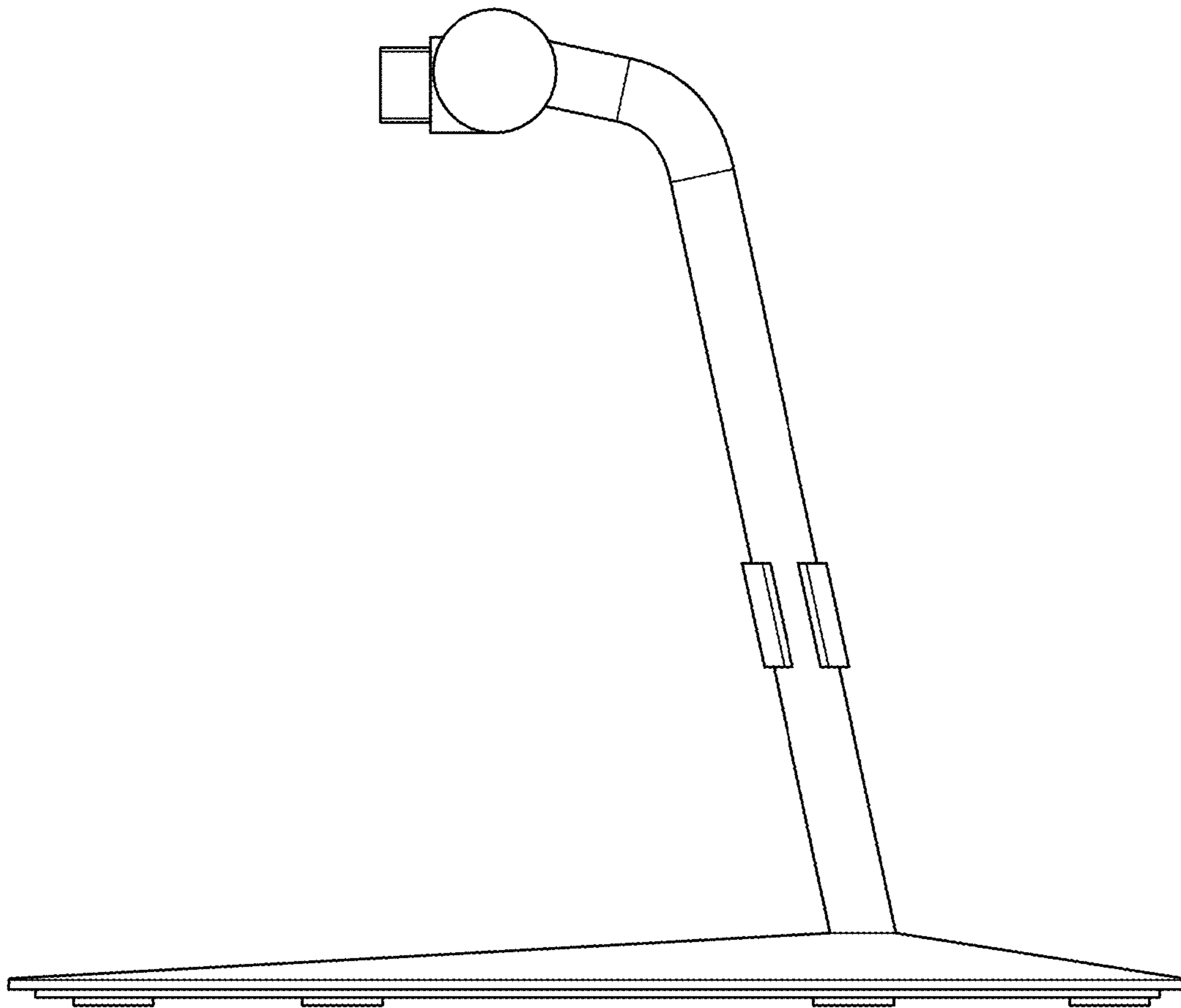


FIG. 6



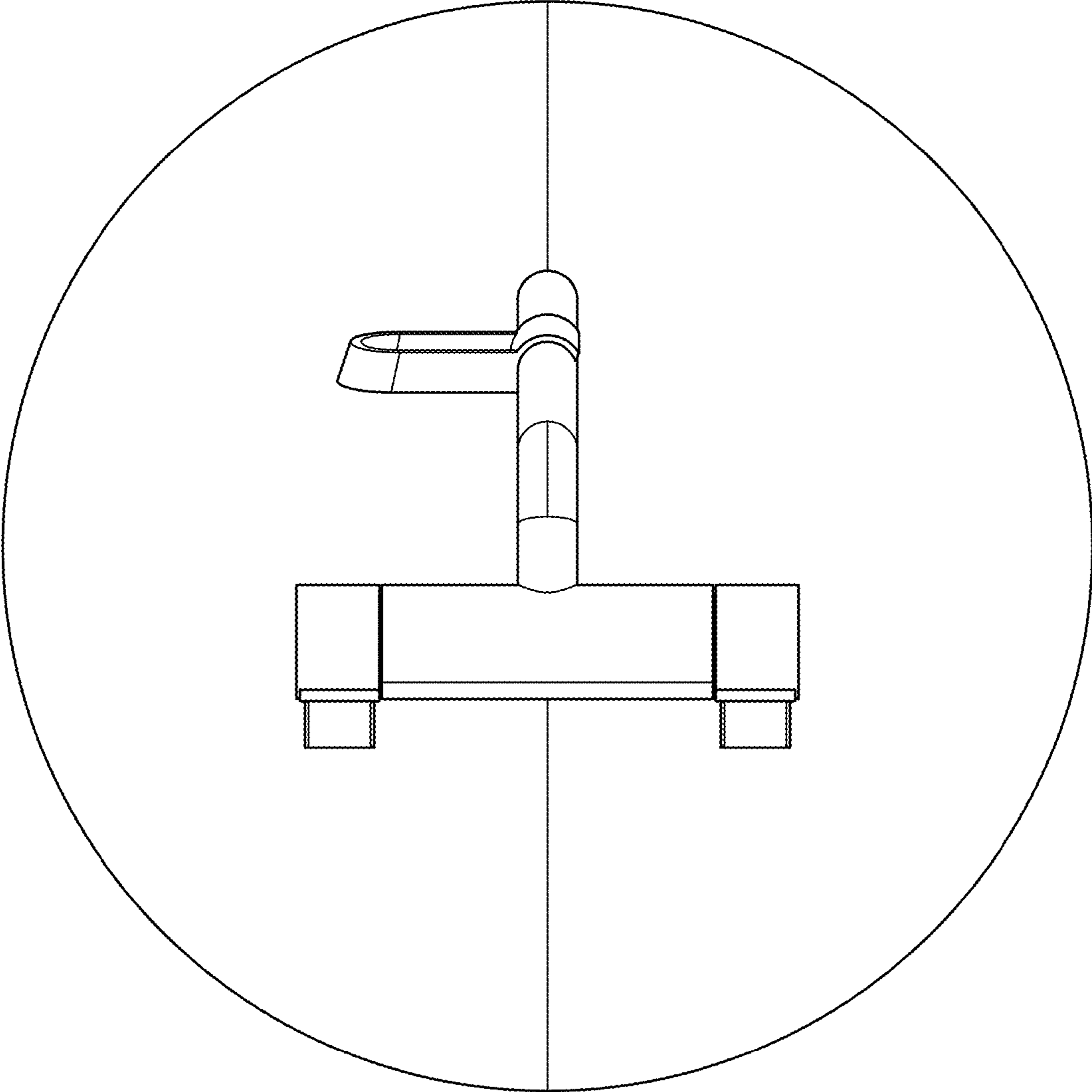
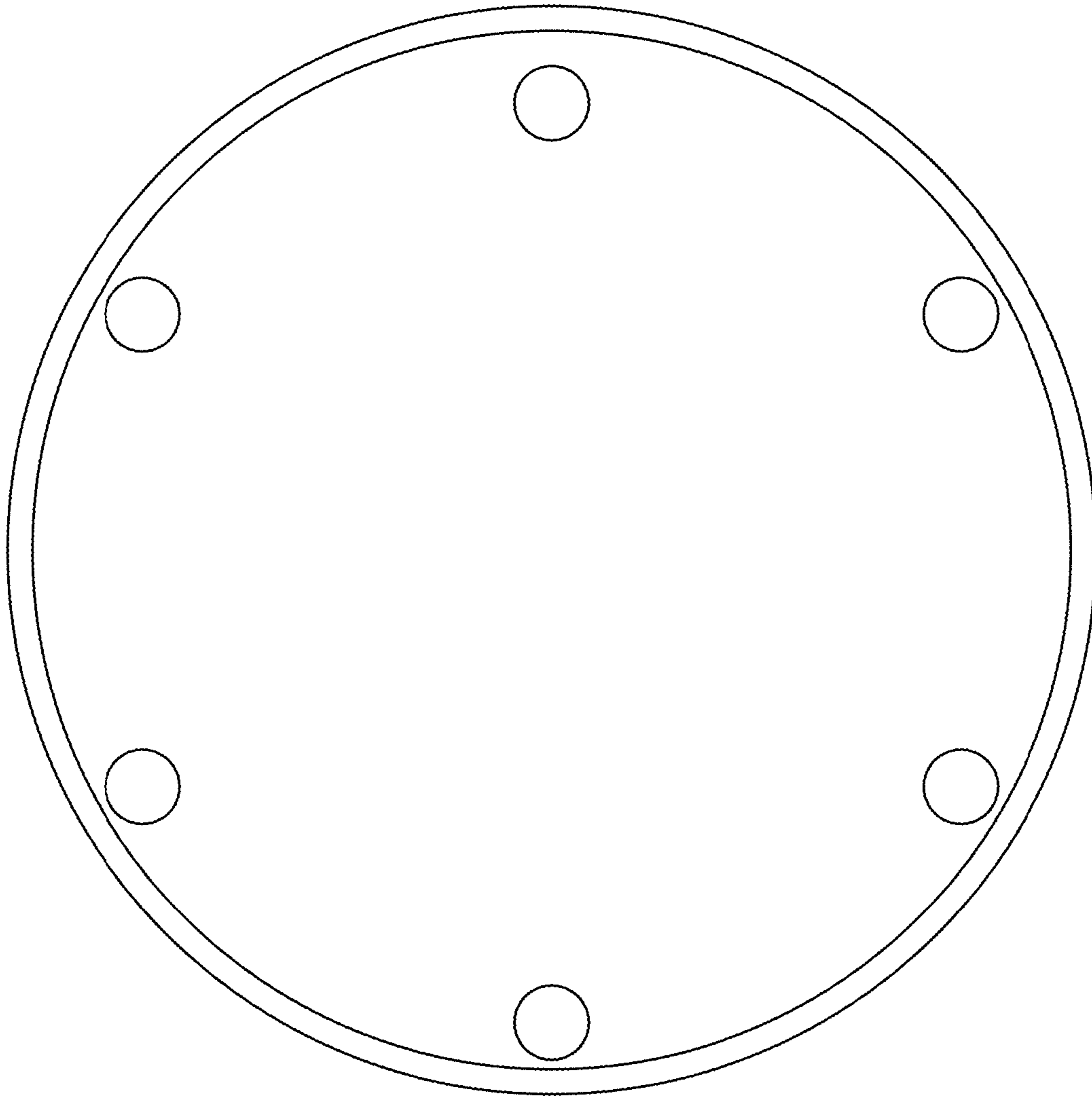


FIG. 7



**FIG. 8**