



US00D77666S

(12) **United States Design Patent**
Karlsson et al.

(10) **Patent No.:** **US D776,666 S**
(45) **Date of Patent:** **** Jan. 17, 2017**

- (54) **CURVED LIGHT GUIDE FRAME**
- (71) Applicant: **Neonode Inc.**, Santa Clara, CA (US)
- (72) Inventors: **John Karlsson**, Märsta (SE); **Lars Sparf**, Vällingby (SE); **Alexander Jubner**, Stockholm (SE); **Thomas Eriksson**, Stockholm (SE)
- (73) Assignee: **Neonode Inc.**, San Jose, CA (US)
- (**) Term: **14 Years**
- (21) Appl. No.: **29/516,687**
- (22) Filed: **Feb. 5, 2015**
- (51) **LOC (10) Cl.** **14-02**
- (52) **U.S. Cl.**
USPC **D14/439**; D14/450; D14/432; D26/141
- (58) **Field of Classification Search**
USPC D14/388, 389, 390, 399, 338, 341, 346, D14/356, 371, 374, 432, 439, 440, 443, D14/448, 450, 454, 126, 217, 218, 239, D14/248, 255, 299; D13/162, 184, 123; D26/51, 56, 113, 118, 138, 139, 141, 152
CPC G06F 3/041; G06F 3/0416; G06F 3/0412; G06F 3/042; G06F 3/0421; G06F 3/0488; G02B 6/0025; G02B 6/0031; G02B 6/0086; G02B 6/0088; G02F 1/133308; G02F 1/133615
See application file for complete search history.

- (56) **References Cited**
U.S. PATENT DOCUMENTS
6,046,785 A * 4/2000 Won G02F 1/133615 349/58
6,685,328 B1 * 2/2004 Hanson G02B 6/0028 349/58
D487,433 S * 3/2004 Kanatani D14/126
D496,041 S * 9/2004 Chen D14/371
D501,854 S * 2/2005 Vick D14/375

- 7,116,385 B2 * 10/2006 Yeom G02F 1/133615 349/58
- D569,864 S * 5/2008 Chen D14/337
- D618,682 S * 6/2010 Haase D14/371
- D645,045 S * 9/2011 Cacioppo D14/218
- D645,429 S * 9/2011 Wong D14/126
- D645,431 S * 9/2011 Boo D14/126
- D677,664 S * 3/2013 Akana D14/439
- D678,288 S * 3/2013 Feldstein D14/439
- D693,343 S * 11/2013 Haller D14/374
- D721,679 S * 1/2015 Bang D14/239
- D726,136 S * 4/2015 Cho D14/126
- D727,863 S * 4/2015 Sung D14/126
- D728,543 S * 5/2015 Chung D14/248
- D735,194 S * 7/2015 Kim D14/374
- 9,081,540 B1 * 7/2015 Cho G06F 1/1601
- D735,922 S * 8/2015 Yamauchi D16/239
- D736,167 S * 8/2015 Bang D14/126
- D740,241 S * 10/2015 Kim D14/126

(Continued)

Primary Examiner — Susan Bennett Hattan
Assistant Examiner — Marie Fast Horse
(74) *Attorney, Agent, or Firm* — Soquel Group LLC

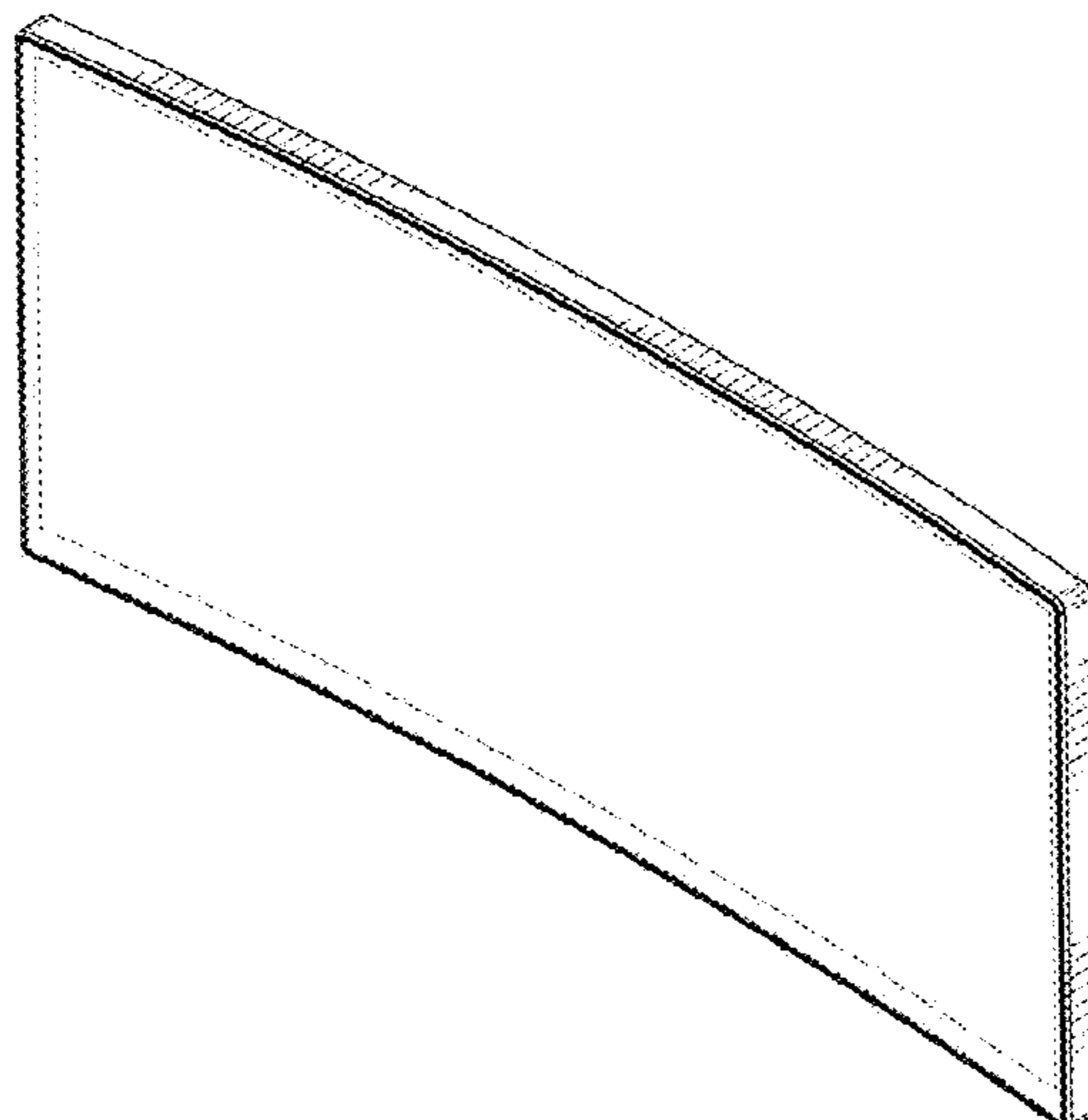
(57) **CLAIM**

The ornamental design for a curved light guide frame, substantially as shown and described.

DESCRIPTION

FIG. 1 is a perspective view from the front of a curved light guide frame, showing our new design;
FIG. 2 is a perspective view from the back thereof;
FIG. 3 is a top view thereof;
FIG. 4 is a bottom view thereof;
FIG. 5 is a left side view thereof, the mirror image of which is a right side view thereof;
FIG. 6 is a front view thereof; and,
FIG. 7 is a back view thereof.
The broken line showings of the remainder of light guide frame are for illustrative purposes only; the broken lines form no part of the claimed design.

1 Claim, 7 Drawing Sheets



(56)

References Cited

U.S. PATENT DOCUMENTS

D744,484 S * 12/2015 Huebner D14/389
 D745,482 S * 12/2015 Bang D14/126
 9,207,800 B1 * 12/2015 Eriksson G06F 3/041
 D747,541 S * 1/2016 Dietel D26/141
 D749,564 S * 2/2016 Cho D14/341
 D750,063 S * 2/2016 Chung D14/341
 D757,671 S * 5/2016 Bouroullec D14/126
 D763,213 S * 8/2016 Ann D14/126
 2008/0106669 A1 * 5/2008 Tsai G02F 1/133308
 349/58
 2012/0188205 A1 * 7/2012 Jansson G06F 3/042
 345/175
 2013/0241886 A1 * 9/2013 Eriksson G02B 6/0091
 345/175
 2014/0355805 A1 * 12/2014 Park H04N 5/64
 381/333
 2015/0035812 A1 * 2/2015 Shin G09G 3/3688
 345/204
 2015/0168626 A1 * 6/2015 Schinagl G02B 6/0006
 362/555

2015/0192731 A1 * 7/2015 Kim G02B 6/0011
 362/628
 2015/0260900 A1 * 9/2015 Nakao G02B 6/0068
 362/609
 2015/0323727 A1 * 11/2015 Li G02B 6/0008
 362/610
 2016/0057872 A1 * 2/2016 Park H05K 5/0017
 362/611
 2016/0062184 A1 * 3/2016 Wu G02F 1/133608
 349/58
 2016/0170123 A1 * 6/2016 Oh G02B 6/0026
 349/58
 2016/0183399 A1 * 6/2016 Lee H04N 5/64
 361/752
 2016/0202726 A1 * 7/2016 Seen G02B 6/0051
 349/42
 2016/0216432 A1 * 7/2016 Kim G02B 6/0035
 2016/0216435 A1 * 7/2016 Park G02B 6/0078
 2016/0223739 A1 * 8/2016 Yoon G02B 6/0088
 2016/0231496 A1 * 8/2016 Song G02B 6/0031

* cited by examiner

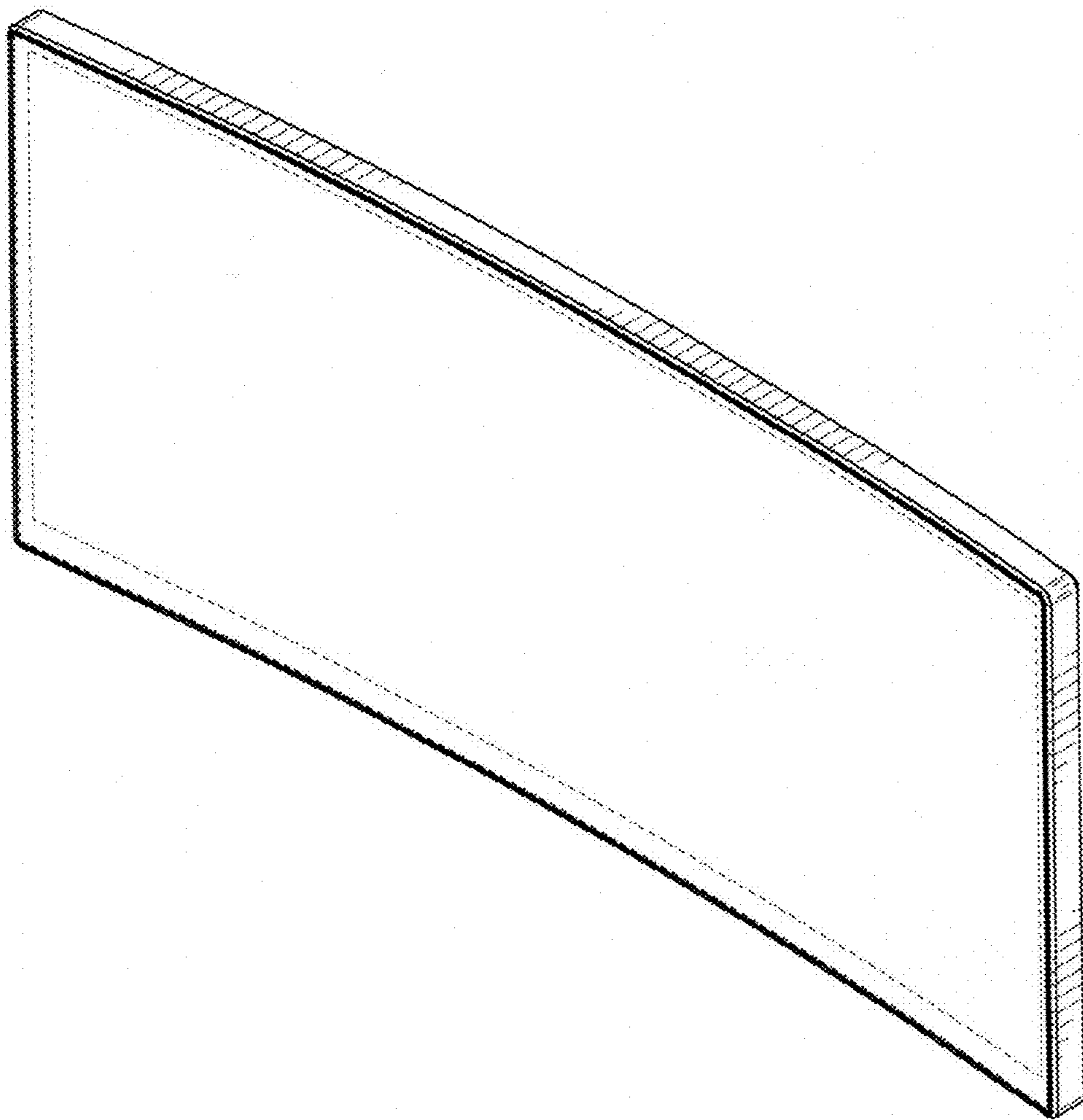


FIG. 1

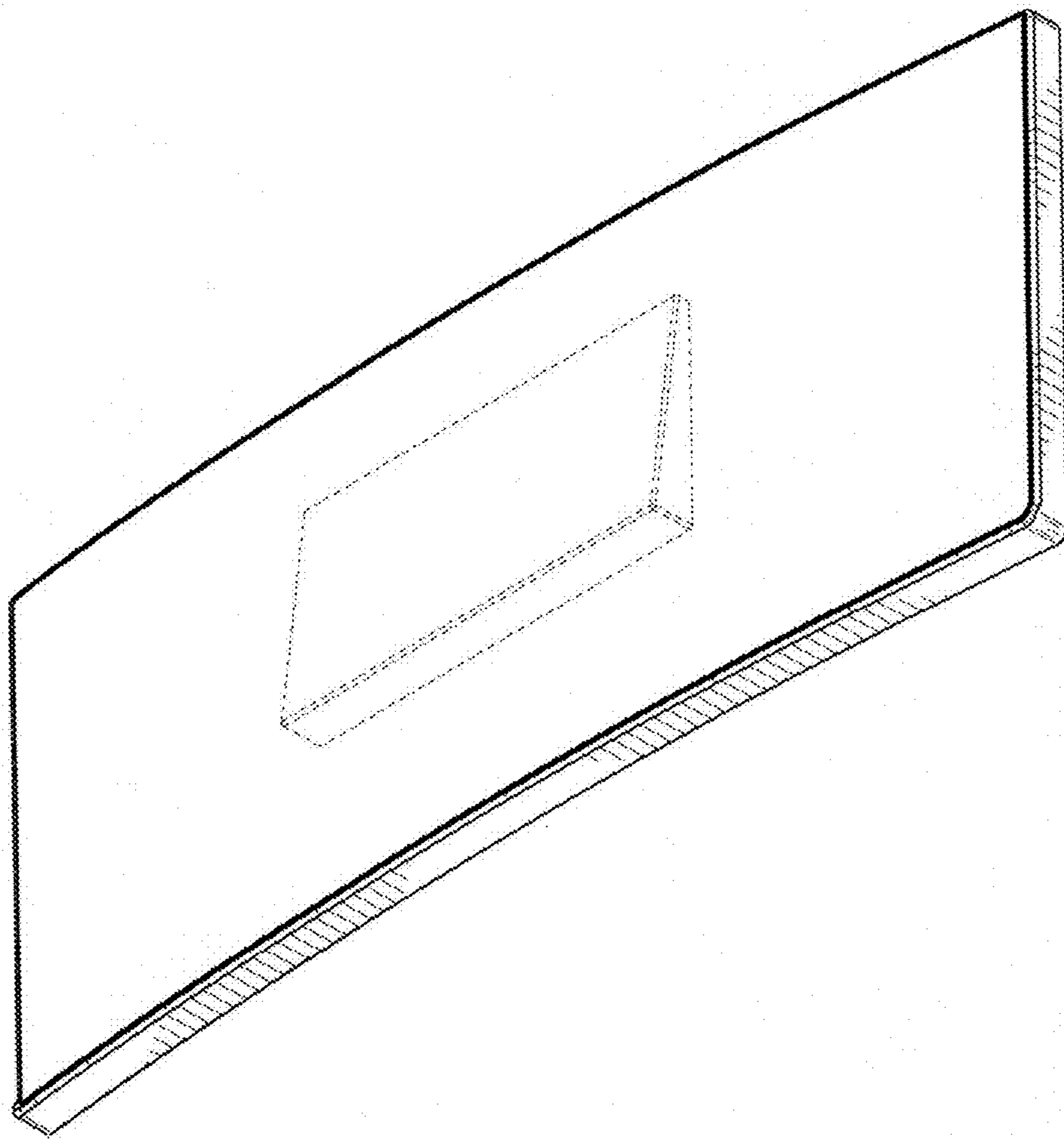


FIG. 2

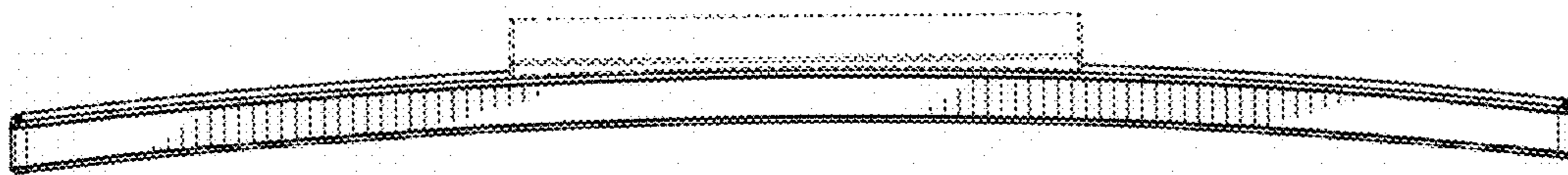


FIG. 3

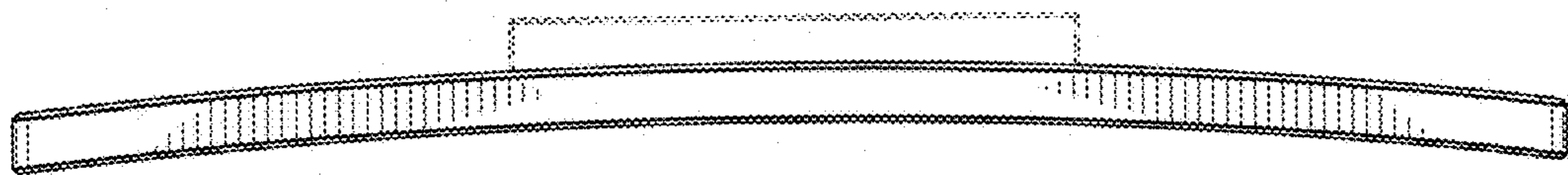


FIG. 4

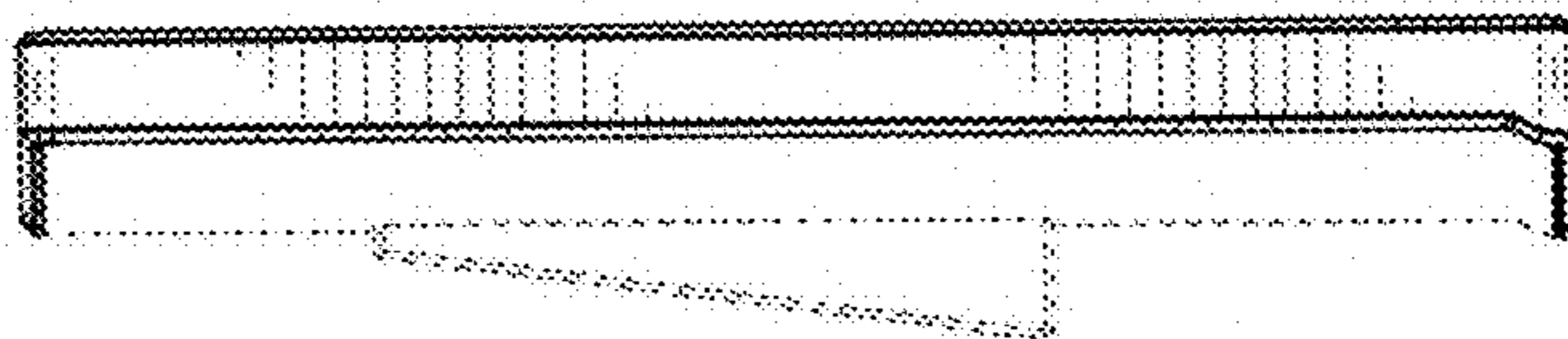


FIG. 5

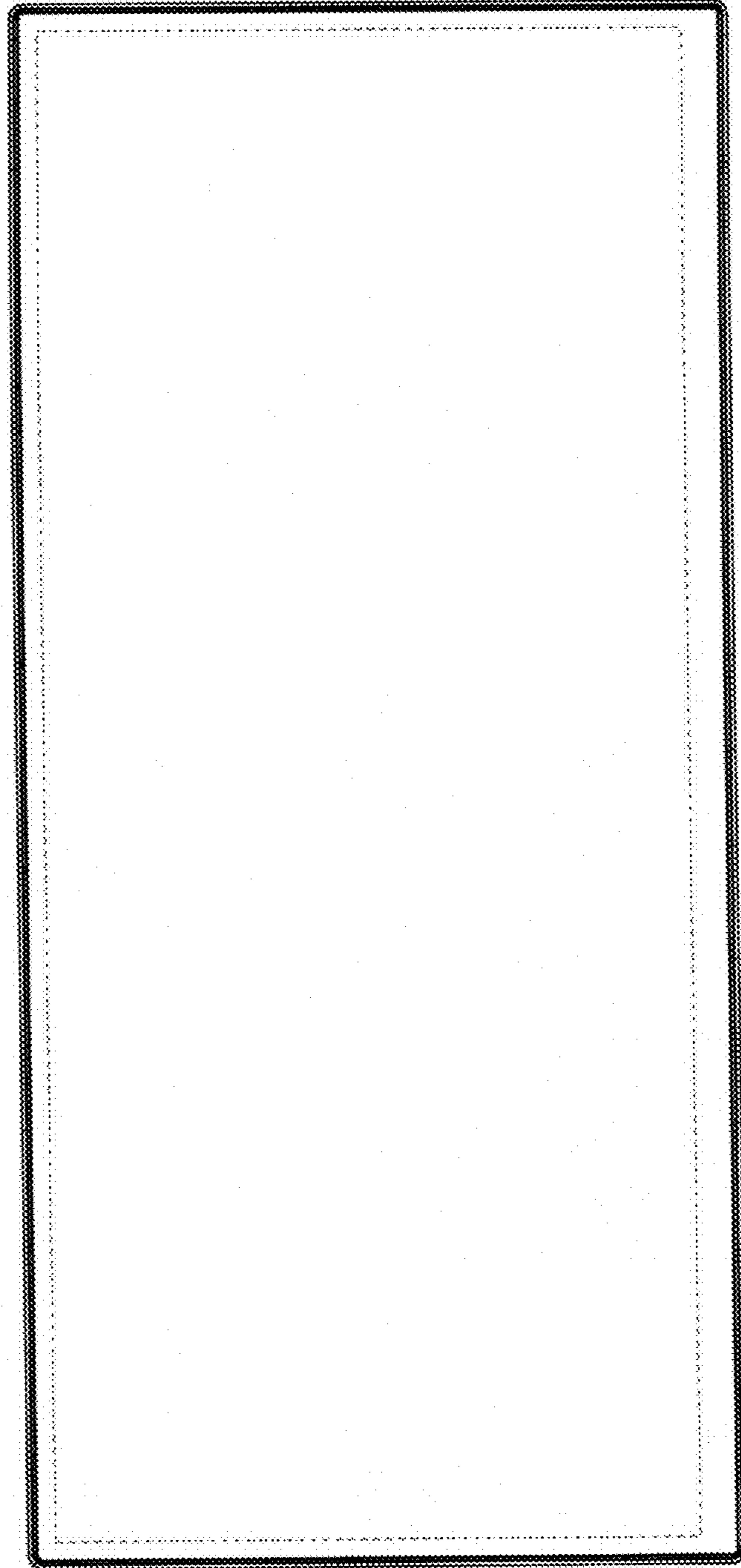


FIG. 6

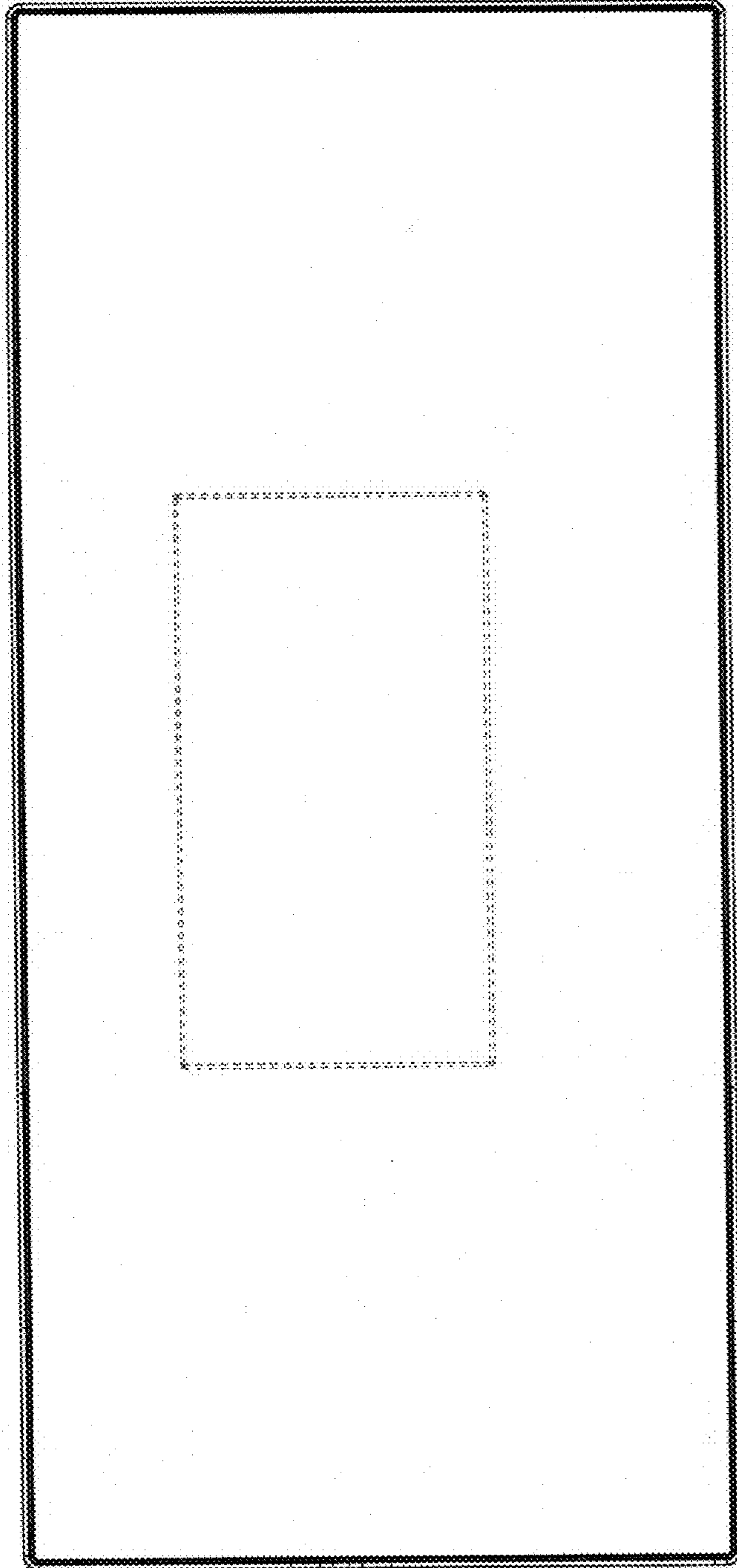


FIG. 7