



US00D776665S

(12) **United States Design Patent** (10) **Patent No.:** **US D776,665 S**  
**Karlsson et al.** (45) **Date of Patent:** **\*\* Jan. 17, 2017**

- (54) **LIGHT GUIDE FRAME**
- (71) Applicant: **Neonode Inc.**, Santa Clara, CA (US)
- (72) Inventors: **John Karlsson**, Märsta (SE); **Lars Sparf**, Vällingby (SE); **Alexander Jubner**, Stockholm (SE); **Thomas Eriksson**, Stockholm (SE)
- (73) Assignee: **Neonode Inc.**, San Jose, CA (US)
- (\*\*) Term: **14 Years**
- (21) Appl. No.: **29/516,686**
- (22) Filed: **Feb. 5, 2015**
- (51) **LOC (10) Cl.** ..... **14-02**
- (52) **U.S. Cl.**  
USPC ..... **D14/439; D14/450; D14/432; D26/141**
- (58) **Field of Classification Search**  
USPC ..... D14/388, 389, 390, 399, 338, 341, 346,  
D14/356, 371, 374, 432, 439, 440, 443,  
D14/448, 450, 454, 126, 217, 218, 239,  
D14/248, 255, 299; D13/162, 184, 123;  
D26/51, 56, 113, 118, 138, 139, 141, 152  
CPC ..... G06F 3/041; G06F 3/0416; G06F 3/0412;  
G06F 3/042; G06F 3/0421; G06F 3/0488;  
G02B 6/0025; G02B 6/0031; G02B  
6/0086; G02B 6/0088; G02F 1/133308;  
G02F 1/133615  
See application file for complete search history.

(56) **References Cited**

**U.S. PATENT DOCUMENTS**

- 6,046,785 A \* 4/2000 Won ..... G02F 1/133615  
349/58
- 6,685,328 B1 \* 2/2004 Hanson ..... G02B 6/0028  
349/58
- D487,433 S \* 3/2004 Kanatani ..... D14/126
- 7,116,385 B2 \* 10/2006 Yeom ..... G02F 1/133615  
349/58
- D569,864 S \* 5/2008 Chen ..... D14/337

- D582,917 S \* 12/2008 Wada ..... D14/371
- D645,429 S \* 9/2011 Wong ..... D14/126
- D645,431 S \* 9/2011 Boo ..... D14/126
- D662,932 S \* 7/2012 Park ..... D14/341
- D668,250 S \* 10/2012 Flagiello ..... D14/341
- D677,664 S \* 3/2013 Akana ..... D14/439
- D678,288 S \* 3/2013 Feldstein ..... D14/439
- D709,468 S \* 7/2014 Seo ..... D14/126
- D712,401 S \* 9/2014 Lee ..... D14/341
- D718,308 S \* 11/2014 Nishizawa ..... D14/389
- D726,136 S \* 4/2015 Cho ..... D14/126
- D727,863 S \* 4/2015 Sung ..... D14/126
- D728,543 S \* 5/2015 Chung ..... D14/248
- D730,896 S \* 6/2015 Hwangbo ..... D14/374
- D730,897 S \* 6/2015 Hwangbo ..... D14/374
- D734,759 S \* 7/2015 Myung ..... D14/439
- 9,081,540 B1 \* 7/2015 Cho ..... G06F 1/1601
- D735,922 S \* 8/2015 Yamauchi ..... D16/239

(Continued)

*Primary Examiner* — Susan Bennett Hattan  
*Assistant Examiner* — Marie Fast Horse  
(74) *Attorney, Agent, or Firm* — Soquel Group LLC

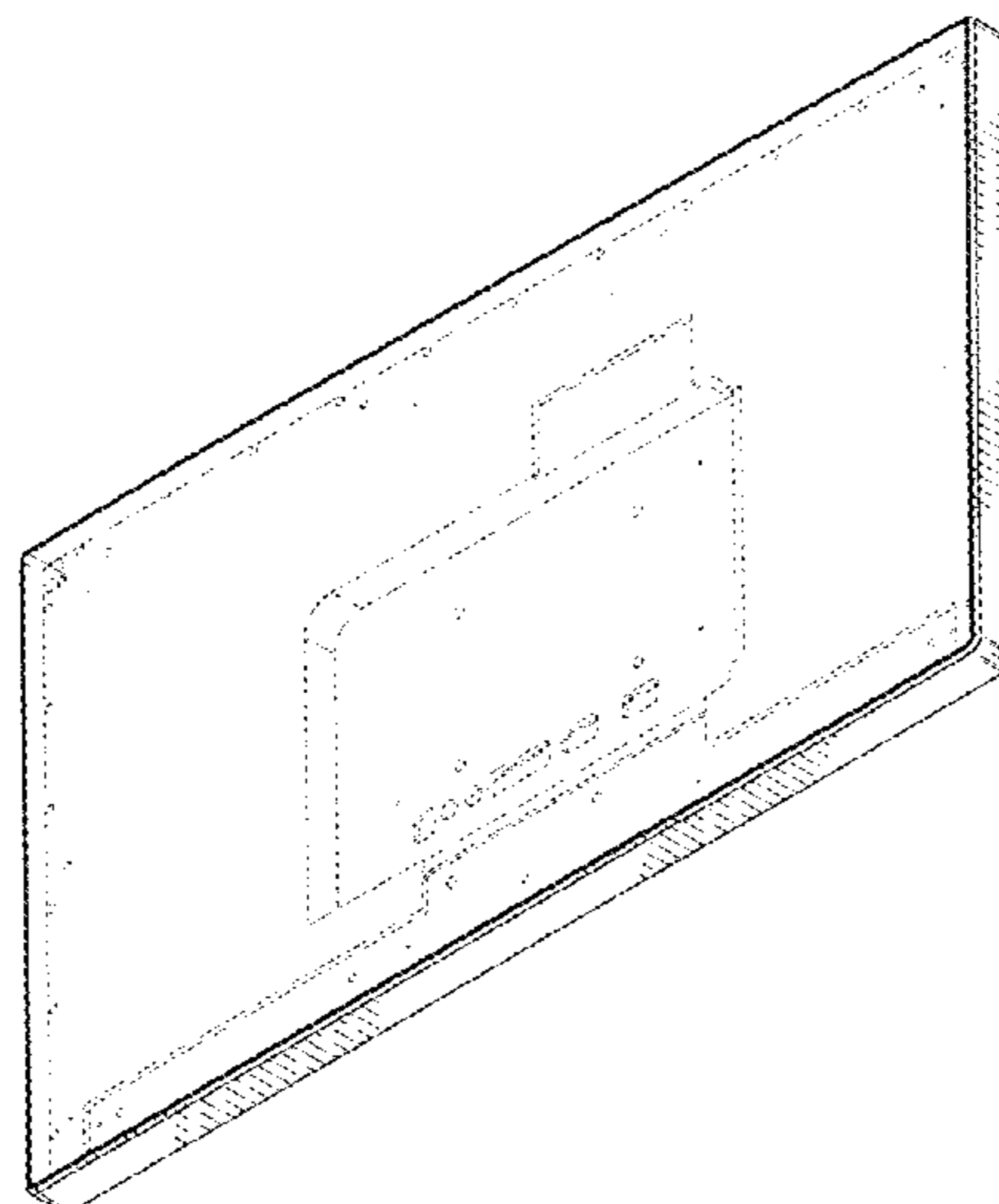
(57) **CLAIM**

The ornamental design for a light guide frame, substantially as shown and described.

**DESCRIPTION**

FIG. 1 is a perspective view from the front of a light guide frame, showing our new design;  
FIG. 2 is a perspective view from the back thereof;  
FIG. 3 is a top view thereof;  
FIG. 4 is a bottom view thereof;  
FIG. 5 is a left side view thereof, the mirror image of which is a right side view thereof;  
FIG. 6 is a front view thereof; and,  
FIG. 7 is a back view thereof.  
The broken line showings of the remainder of light guide frame are for illustrative purposes only; the broken lines form no part of the claimed design.

**1 Claim, 7 Drawing Sheets**



(56)

**References Cited**

U.S. PATENT DOCUMENTS

D737,277	S *	8/2015	Song	.....	D14/450
D743,362	S *	11/2015	Kim	.....	D14/126
D744,484	S *	12/2015	Huebner	.....	D14/389
D745,001	S *	12/2015	Cho	.....	D14/341
9,207,800	B1 *	12/2015	Eriksson	.....	G06F 3/041
D747,541	S *	1/2016	Dietel	.....	D26/141
D749,564	S *	2/2016	Cho	.....	D14/341
D749,567	S *	2/2016	Lee	.....	D14/203.4
D749,590	S *	2/2016	Dinh	.....	D14/439
D750,063	S *	2/2016	Chung	.....	D14/341
D757,671	S *	5/2016	Bouroullec	.....	D14/126
2008/0106669	A1 *	5/2008	Tsai	.....	G02F 1/133308 349/58
2012/0188205	A1 *	7/2012	Jansson	.....	G06F 3/042 345/175
2013/0093959	A1 *	4/2013	Yokawa	.....	G02F 1/133615 348/725
2013/0241886	A1 *	9/2013	Eriksson	.....	G02B 6/0091 345/175
2014/0307469	A9 *	10/2014	Ozawa	.....	G02B 6/0031 362/609
2015/0168626	A1 *	6/2015	Schinagl	.....	G02B 6/0006 362/555
2015/0260900	A1 *	9/2015	Nakao	.....	G02B 6/0068 362/609
2015/0323727	A1 *	11/2015	Li	.....	G02B 6/0008 362/610
2015/0346541	A1 *	12/2015	Ando	.....	G02F 1/133308 362/606
2016/0004005	A1 *	1/2016	Namekata	.....	G02B 6/0068 349/65

\* cited by examiner

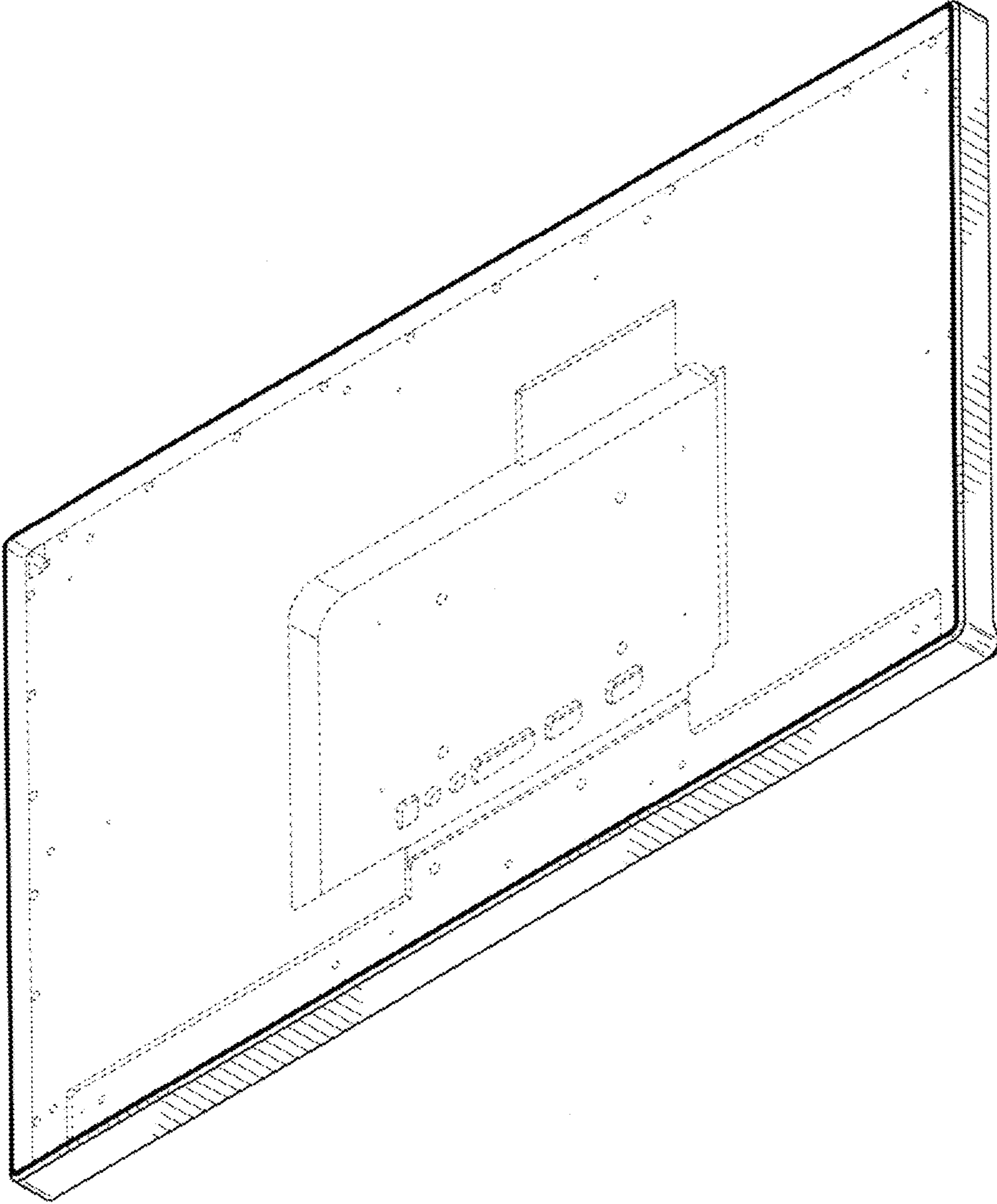


FIG. 1

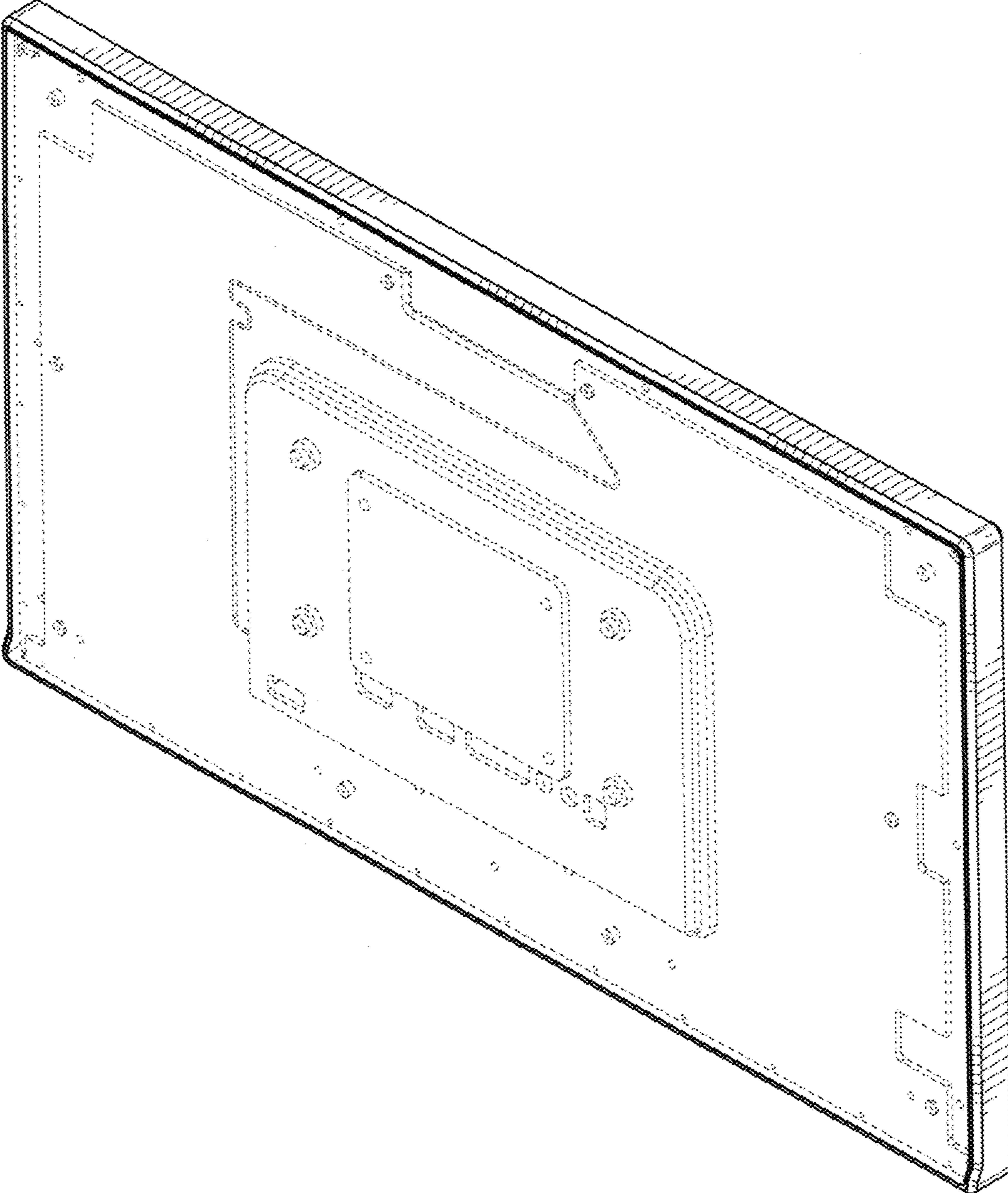


FIG. 2

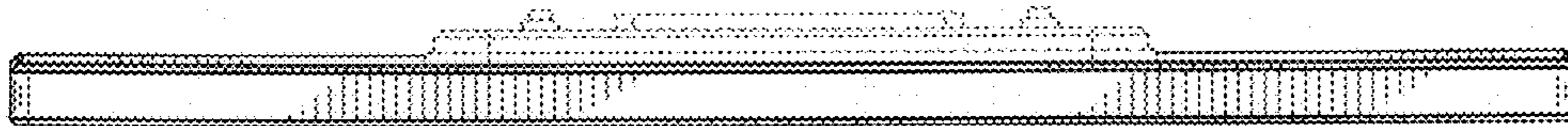


FIG. 3

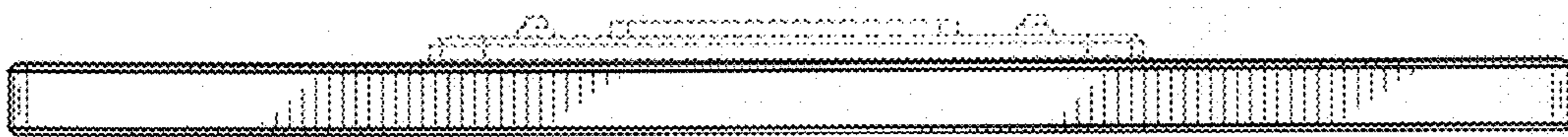


FIG. 4

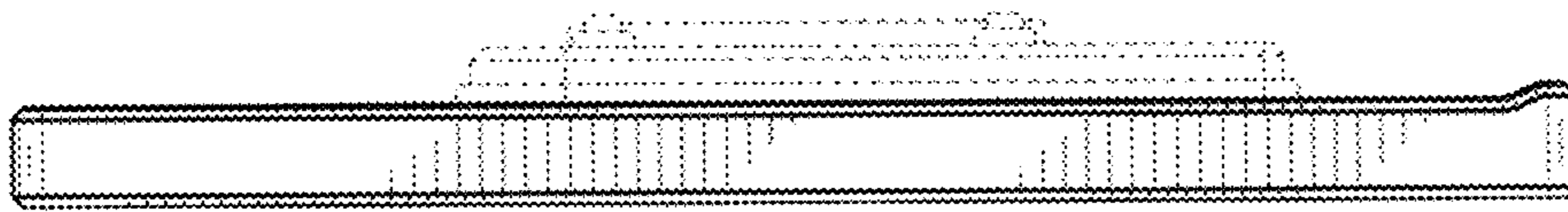


FIG. 5

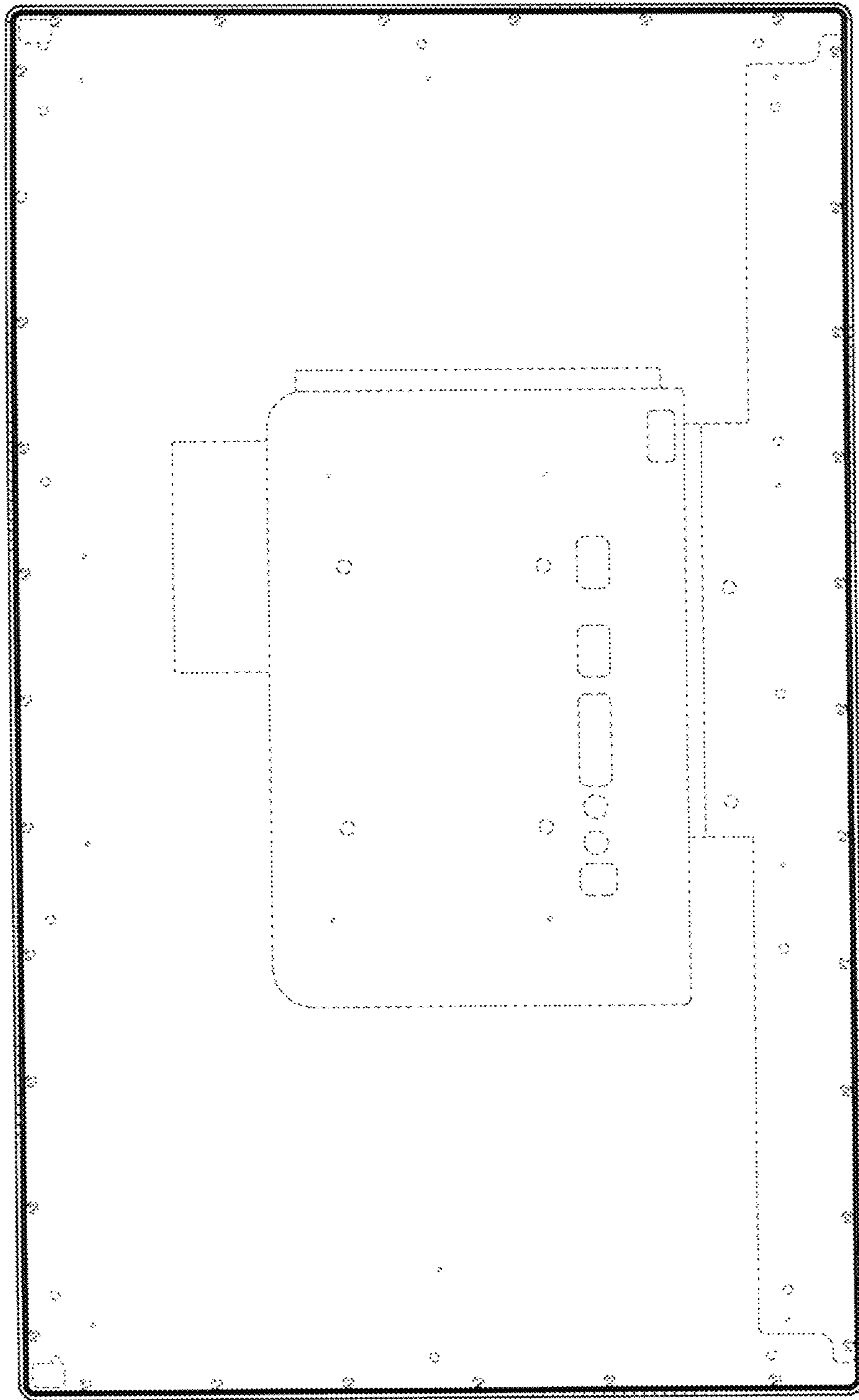


FIG. 6



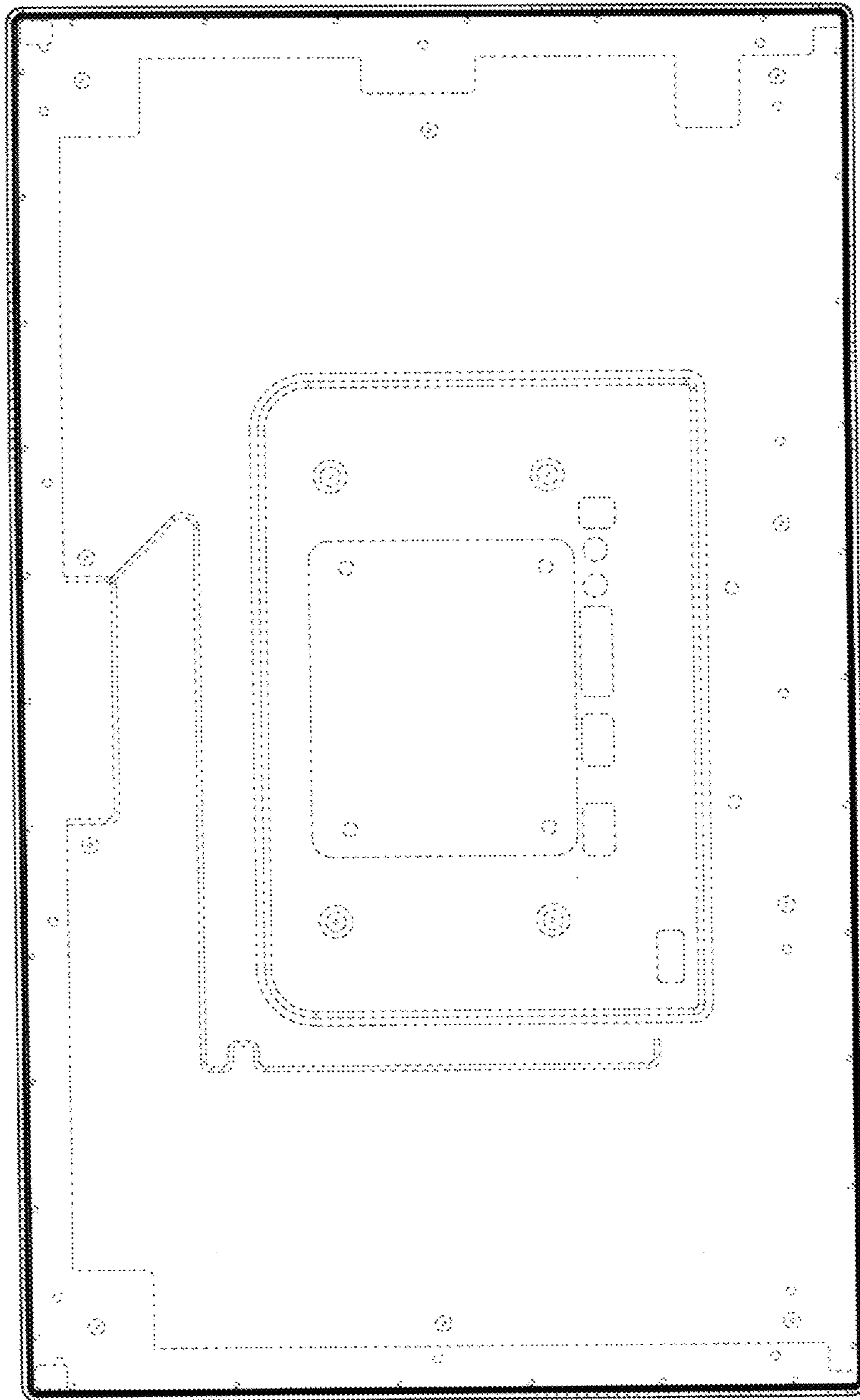


FIG. 7