



US00D776656S

(12) **United States Design Patent**  
**Lagerstedt et al.**

(10) **Patent No.:** **US D776,656 S**  
(45) **Date of Patent:** **\*\* Jan. 17, 2017**

(54) **CONTROLLER FOR HOME AUTOMATION**

(71) Applicant: **Savant Systems, LLC**, Hyannis, MA (US)

(72) Inventors: **Jonas Lagerstedt**, San Francisco, CA (US); **Robert Brunner**, San Francisco, CA (US)

(73) Assignee: **Savant Systems, LLC**, Hyannis, MA (US)

(\*\*) Term: **15 Years**

(21) Appl. No.: **29/541,384**

(22) Filed: **Oct. 2, 2015**

(51) **LOC (10) Cl.** ..... **14-02**

(52) **U.S. Cl.**

USPC ..... **D14/358**; D14/240

(58) **Field of Classification Search**

USPC .... D13/162, 168; D10/106.1; D14/137, 139, D14/140-140.9, 155, 188, 230, 231, 238, D14/240, 242, 243, 218, 314, 356, 357, D14/358, 434

CPC ..... H03J 1/0025; H03J 9/00; H03J 9/02; H03J 9/04; H03J 9/06; H04B 1/202; G06F 1/181; G05B 11/01; G08C 17/00; G08C 17/02; H05K 7/1424; H05K 7/1427; H05K 7/16; H01Q 1/007; H04W 52/0206; H04W 88/08; H04W 88/085; H04W 88/10; H04W 88/12; H04W 88/16; H04L 67/306; G11B 33/08; G11B 33/126; G11B 33/128

See application file for complete search history.

(56) **References Cited**

**U.S. PATENT DOCUMENTS**

D495,665 S \* 9/2004 Stekelenburg ..... D13/168  
D512,718 S \* 12/2005 Mori ..... D14/434

7,329,152 B2 \* 2/2008 Mori ..... G06F 3/0227  
438/928  
D595,670 S \* 7/2009 Glassman ..... D13/168  
D596,626 S 7/2009 Andre et al.  
D600,216 S \* 9/2009 Glassman ..... D13/168  
D601,555 S \* 10/2009 Zhang ..... D14/300  
D602,915 S \* 10/2009 Song ..... D14/218  
D602,916 S \* 10/2009 Won ..... D14/218  
D613,271 S \* 4/2010 Painter ..... D14/218  
D613,272 S \* 4/2010 Painter ..... D14/218  
D629,806 S \* 12/2010 Ho ..... D14/434  
D632,265 S \* 2/2011 Choi ..... D13/168  
D638,426 S \* 5/2011 Ikeda ..... D14/240  
D640,692 S 6/2011 Waisman-Diamond  
D647,896 S \* 11/2011 Chen ..... D14/314  
D655,263 S \* 3/2012 Tsai ..... D14/125  
D662,919 S \* 7/2012 Ikeda ..... D14/240  
D685,355 S \* 7/2013 Holleman ..... D14/240  
D692,416 S \* 10/2013 Tu ..... D14/218  
D705,224 S \* 5/2014 Govindasamy ..... D14/356

(Continued)

*Primary Examiner* — Selina Sikder

(74) *Attorney, Agent, or Firm* — Cesari and McKenna, LLP; James A. Blanchette

(57) **CLAIM**

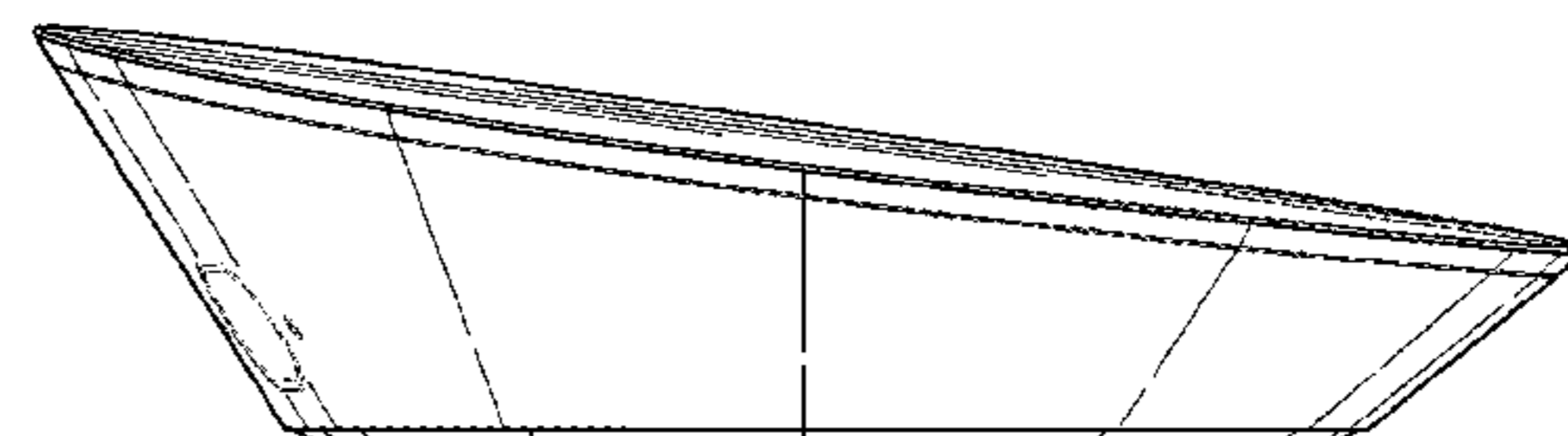
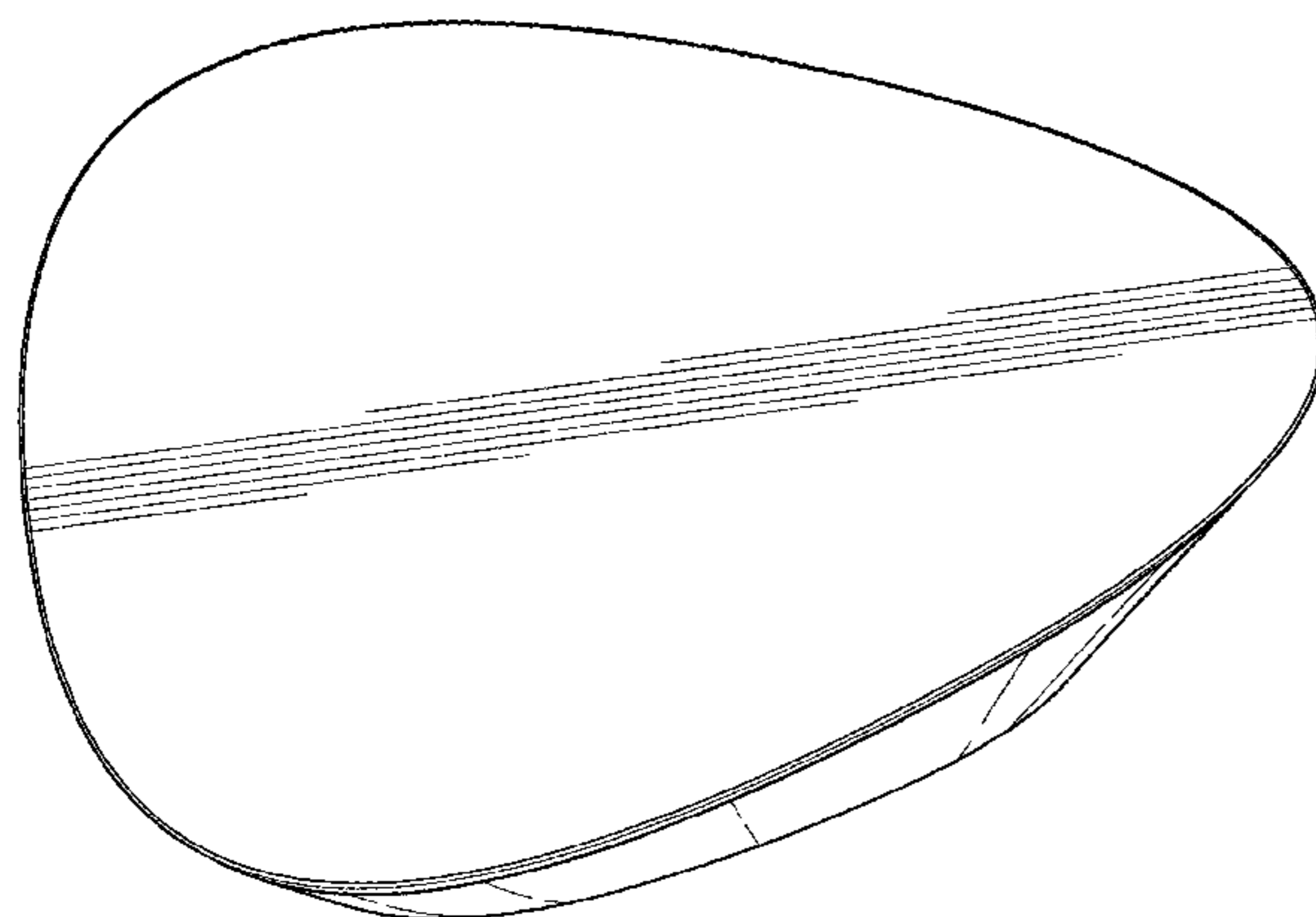
We claim the ornamental design for a controller for home automation, as shown and described.

**DESCRIPTION**

FIG. 1 is a perspective view showing the new design; FIG. 2 is a top plan view thereof; FIG. 3 is a left side elevational view thereof; FIG. 4 is a front elevational view thereof; FIG. 5 is a right side elevational view thereof; FIG. 6 is a back elevational view thereof; and, FIG. 7 is a bottom plan view thereof.

The broken lines showing portions of the controller for home automation in FIGS. 1-7 are for illustrative purposes only, and form no part of the claimed design.

**1 Claim, 5 Drawing Sheets**



(56)

**References Cited**

U.S. PATENT DOCUMENTS

D715,228	S *	10/2014	Lee	.....	D13/158
D719,153	S *	12/2014	Lim	.....	D14/356
D725,088	S *	3/2015	Kwak	.....	D14/240
D726,161	S *	4/2015	Howard	.....	D14/218
D729,773	S *	5/2015	Salojarvi	.....	D14/218
D732,512	S	6/2015	Fariello		
D743,954	S *	11/2015	Chuang	.....	D13/168
D756,953	S *	5/2016	Zhang	.....	D14/162
D756,991	S *	5/2016	Day	.....	D14/314
9,345,157	B2 *	5/2016	Joist	.....	G06F 1/181
2012/0120562	A1 *	5/2012	Prest	.....	G06F 1/181 361/679.01
2012/0188052	A1 *	7/2012	Rosenblatt	.....	G08C 17/02 340/4.3
2014/0197998	A1 *	7/2014	Govindasamy	.....	H01Q 1/24 343/702
2016/0029147	A1 *	1/2016	Chiao	.....	H04W 4/008 455/41.1
2016/0044831	A1 *	2/2016	Goh	.....	G06F 1/181 361/679.47

\* cited by examiner

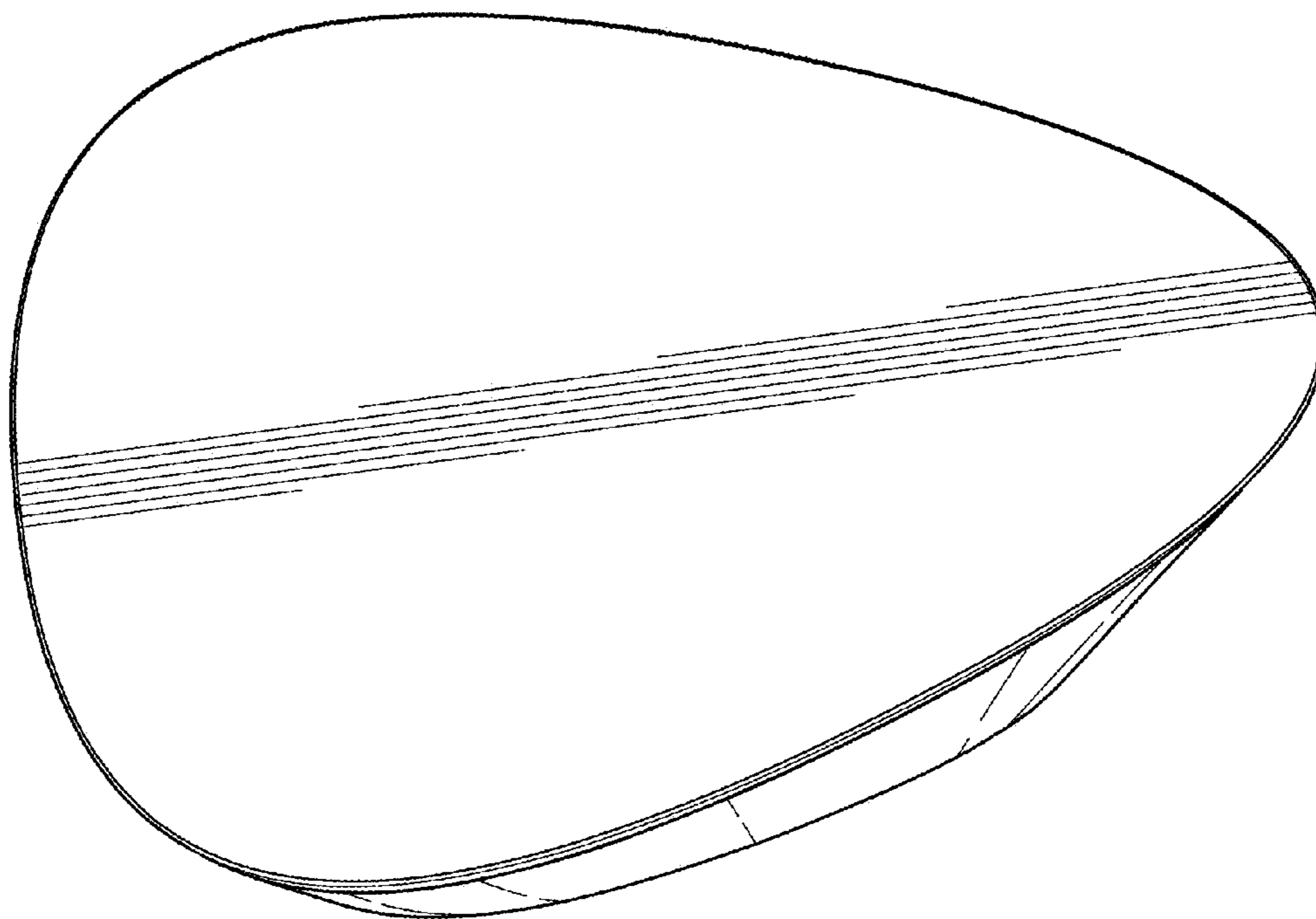


FIG. 1

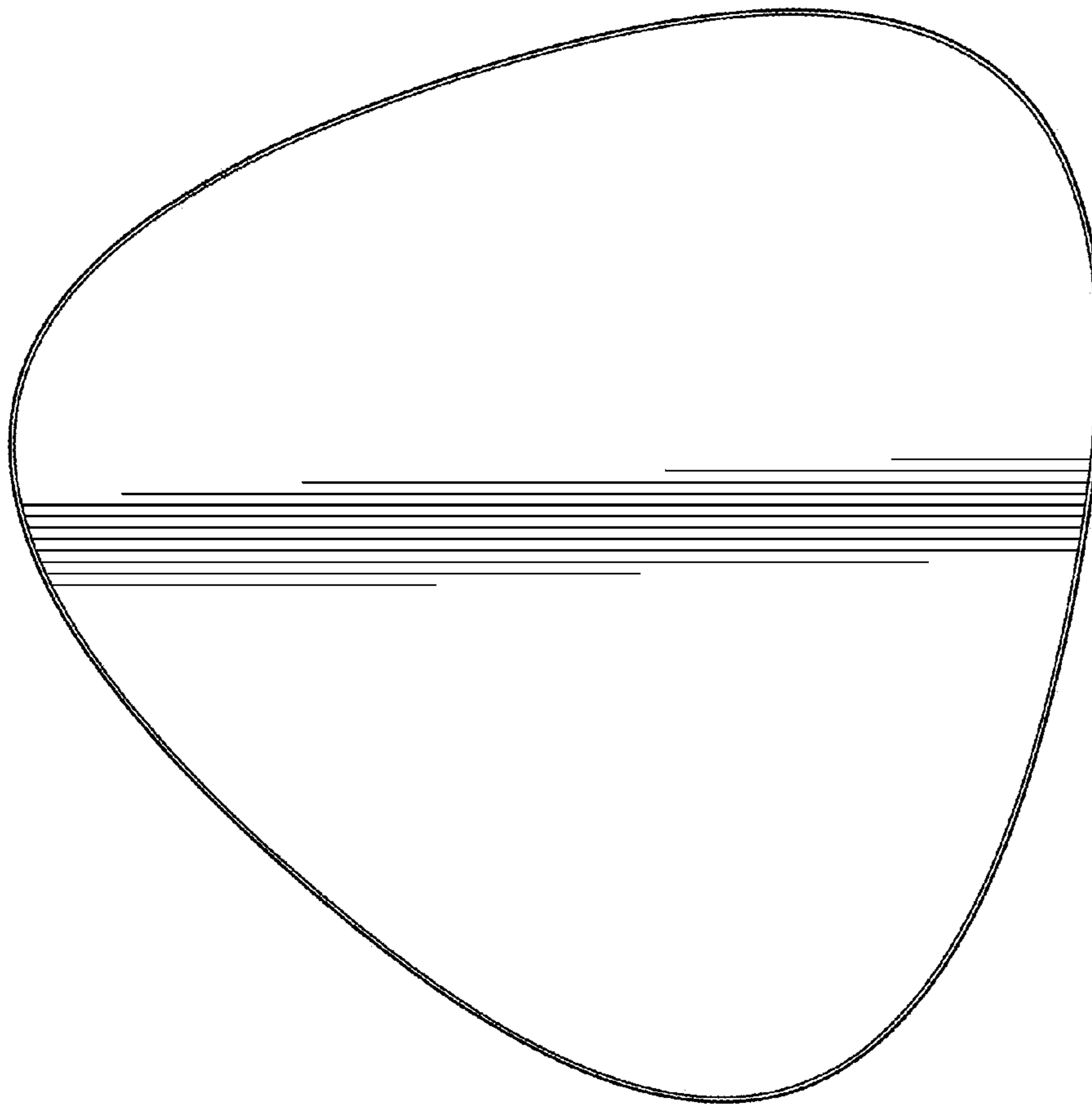


FIG. 2

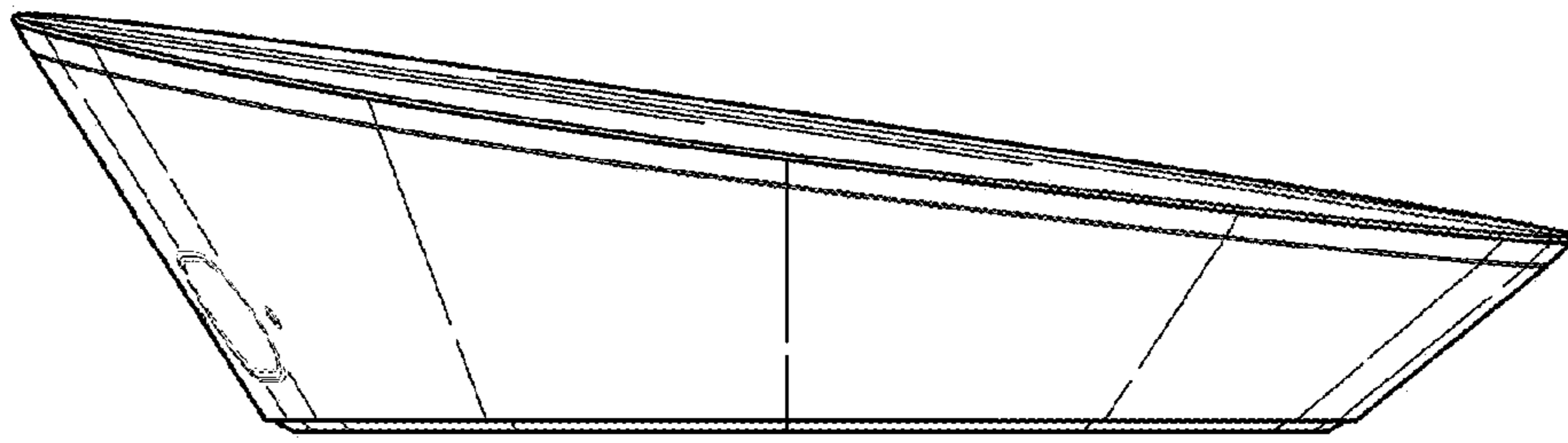


FIG. 3

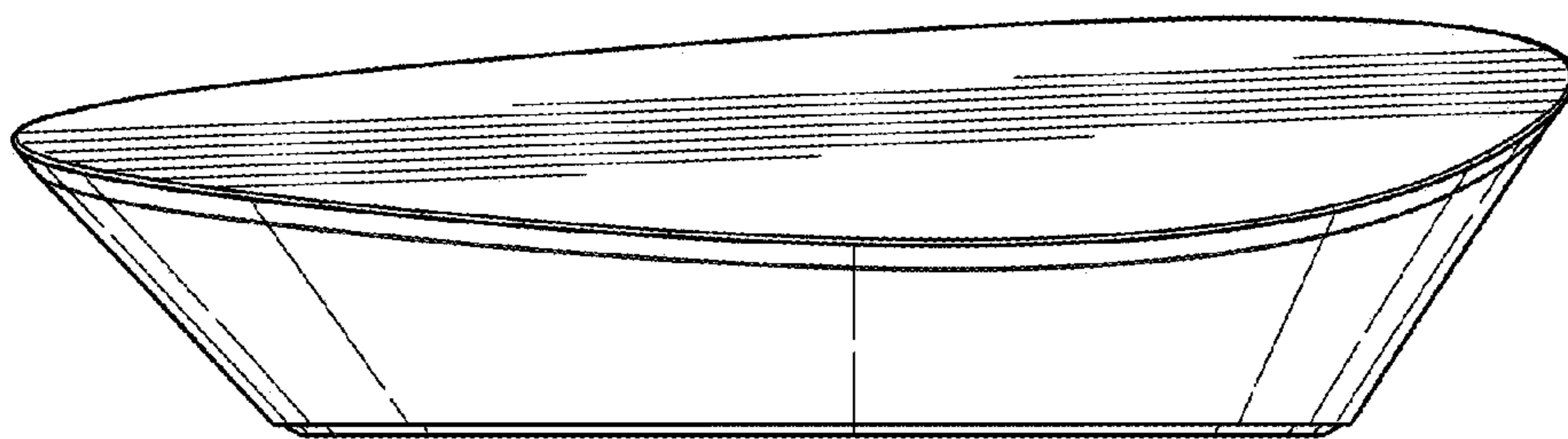


FIG. 4

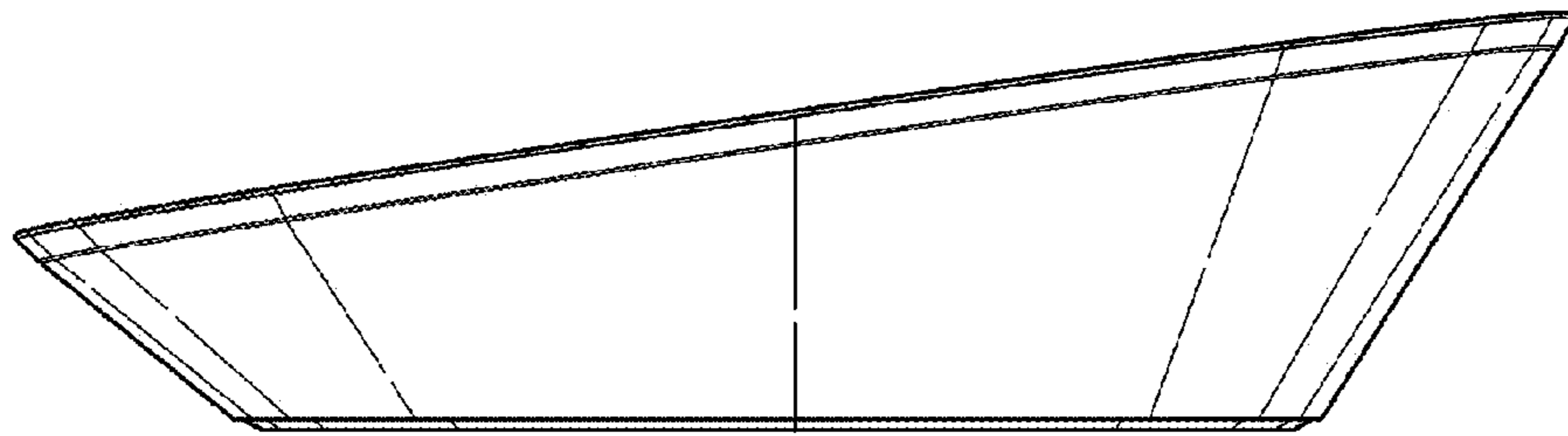


FIG. 5

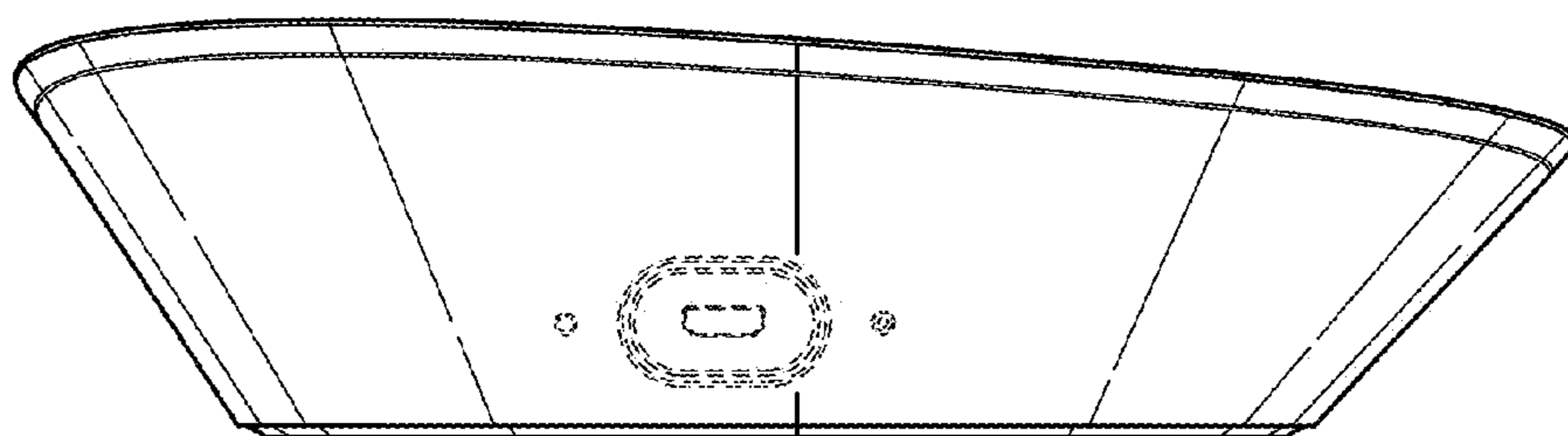


FIG. 6

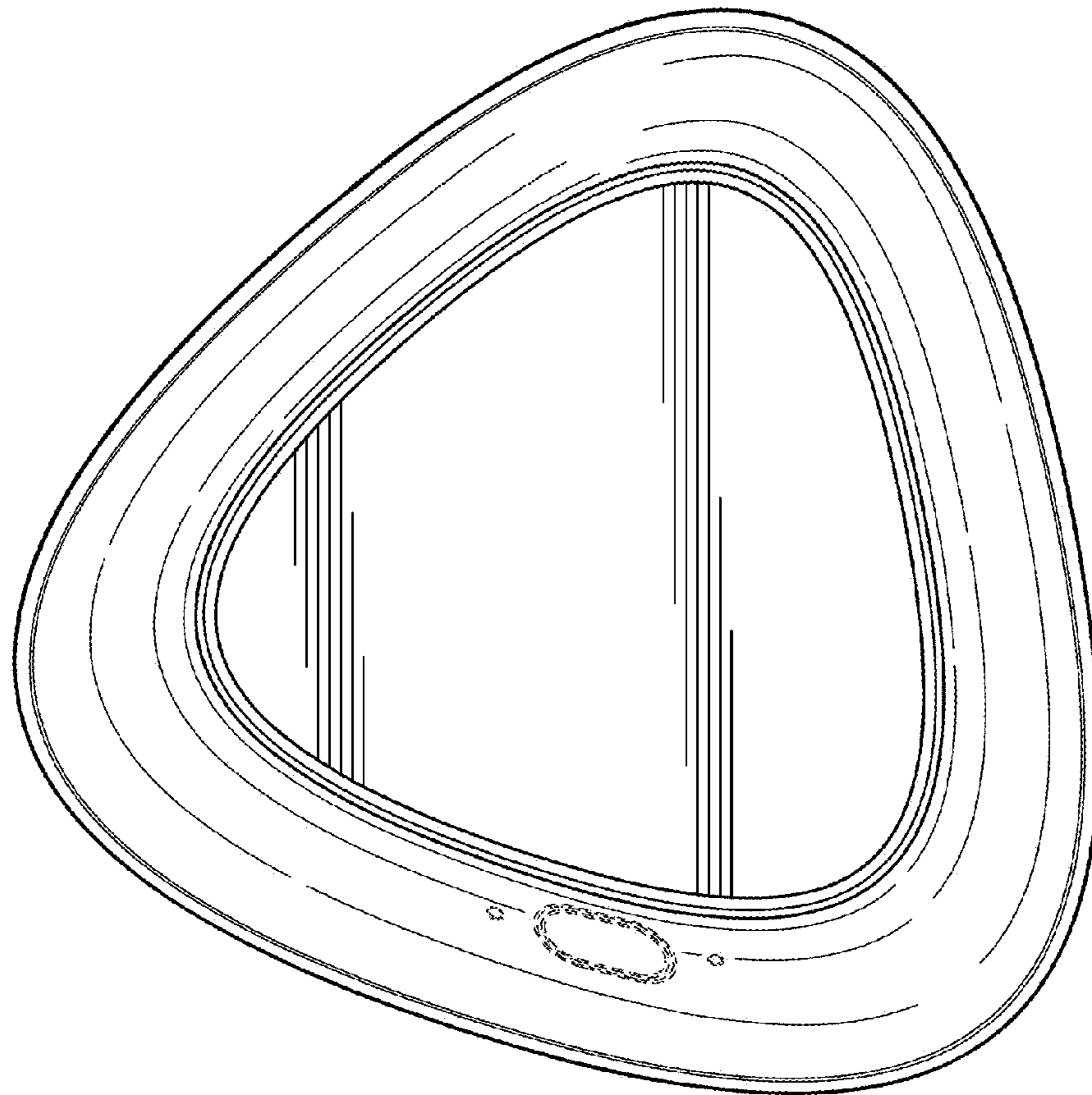


FIG. 7