



US00D776650S

(12) **United States Design Patent** (10) **Patent No.:** **US D776,650 S**
Ohana (45) **Date of Patent:** **** Jan. 17, 2017**

(54) **ADJUSTABLE DISPLAY HOLDER FOR A HANDHELD DEVICE**

D733,143 S * 6/2015 Yun D14/434
D743,411 S * 11/2015 Zenri D14/447
D751,561 S * 3/2016 Guthrie D14/434

(71) Applicant: **Yitzhak Elhanan Ohana**, Shenzhen (CN)

* cited by examiner

(72) Inventor: **Yitzhak Elhanan Ohana**, Shenzhen (CN)

Primary Examiner — Susan Bennett Hattan

Assistant Examiner — Janice Hallmark

(74) *Attorney, Agent, or Firm* — Deborah Gador

(**) Term: **14 Years**

(57) **CLAIM**

The ornamental design for an adjustable display holder for a handheld device, as shown and described.

(21) Appl. No.: **29/514,548**

DESCRIPTION

(22) Filed: **Jan. 14, 2015**

(51) **LOC (10) Cl.** **14-03**

(52) **U.S. Cl.**
USPC **D14/253**

(58) **Field of Classification Search**
USPC D14/253, 432, 434, 440, 447, 439,
D14/451, 452, 457, 250, 251; D12/415,
D12/114, 420, 417, 223; D6/406.3, 406.4,
D6/406.5, 406.6, 310, 407; D3/218;
D8/349

CPC H04M 1/04; H04M 1/06; H04M 1/11;
H04M 1/12; F16M 13/00; B60R 11/00;
B60R 11/02; H05K 7/00

See application file for complete search history.

FIG. 1 is a back view of the claimed adjustable display holder for a handheld device in an orientation for holding a display device in a vertical orientation;
FIG. 2 is a bottom view thereof;
FIG. 3 is a front view thereof;
FIG. 4 is an isometric front view thereof;
FIG. 5 is a left view thereof;
FIG. 6 is a right view thereof;
FIG. 7 is a top view thereof;
FIG. 8 is a top view of the claimed adjustable display holder for a handheld device in an orientation for holding a display device in a horizontal orientation;
FIG. 9 is an isometric front view thereof;
FIG. 10 is an isometric view thereof holding a adjustable display holder for a handheld device; and,
FIG. 11 is an isometric view of the adjustable display holder for a handheld device in the orientation of FIG. 4 holding a display device.

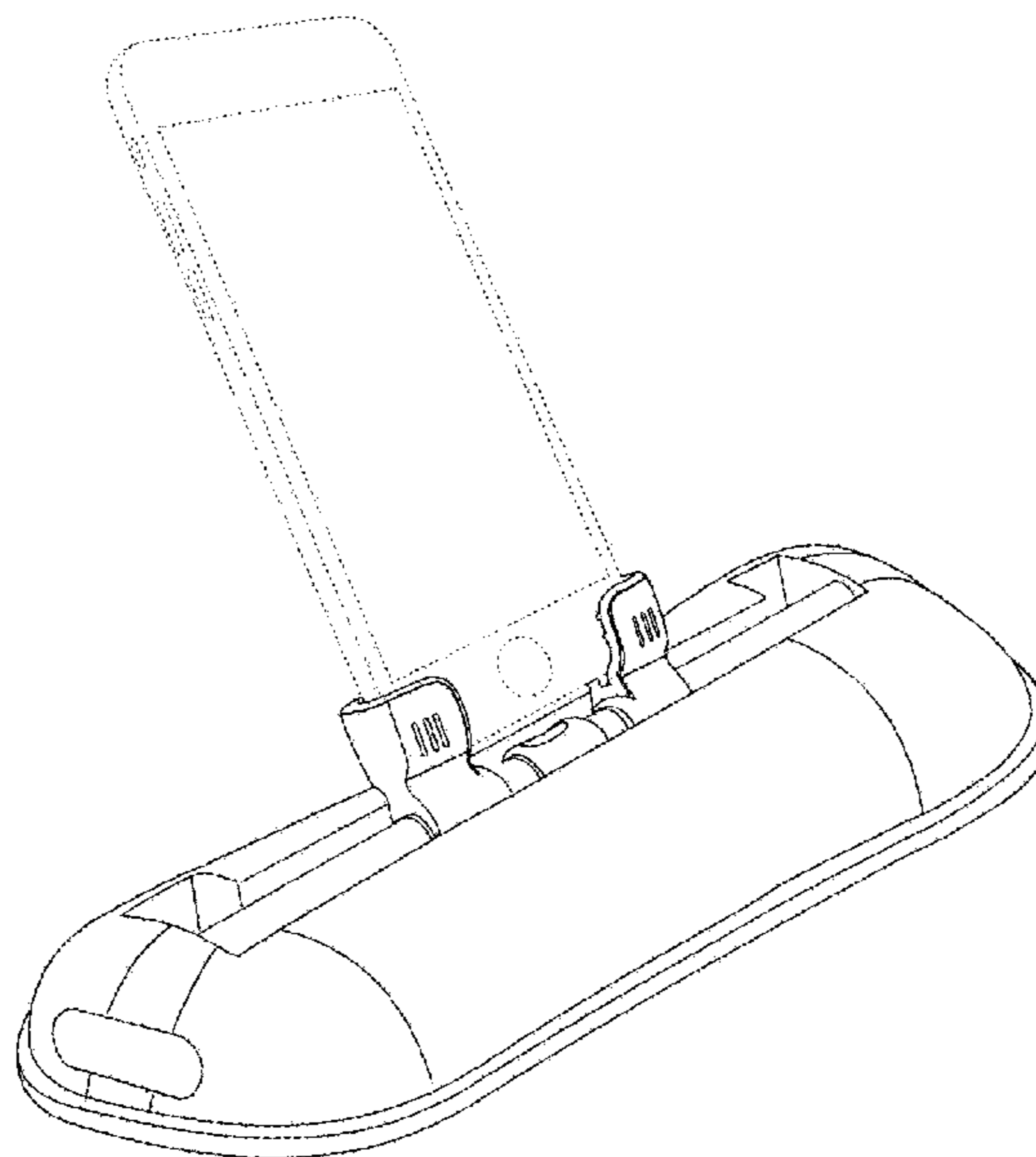
(56) **References Cited**

U.S. PATENT DOCUMENTS

D638,831 S * 5/2011 Paradise D14/253
D656,930 S * 4/2012 Son D14/253
D664,529 S * 7/2012 Chuang D13/108
D666,235 S * 8/2012 Tatara D16/235
D669,461 S * 10/2012 Wikel D14/253
D670,283 S * 11/2012 Wikel D14/253
D692,009 S * 10/2013 Ashida D14/447
D707,220 S * 6/2014 Belby D14/253

The dash-dash broken lines in the drawings depict parts of the adjustable display holder for a handheld device that form no part of the claimed design. The dot-dot broken lines in the drawings depict a hand held device for display that forms no part of the claimed design.

1 Claim, 11 Drawing Sheets



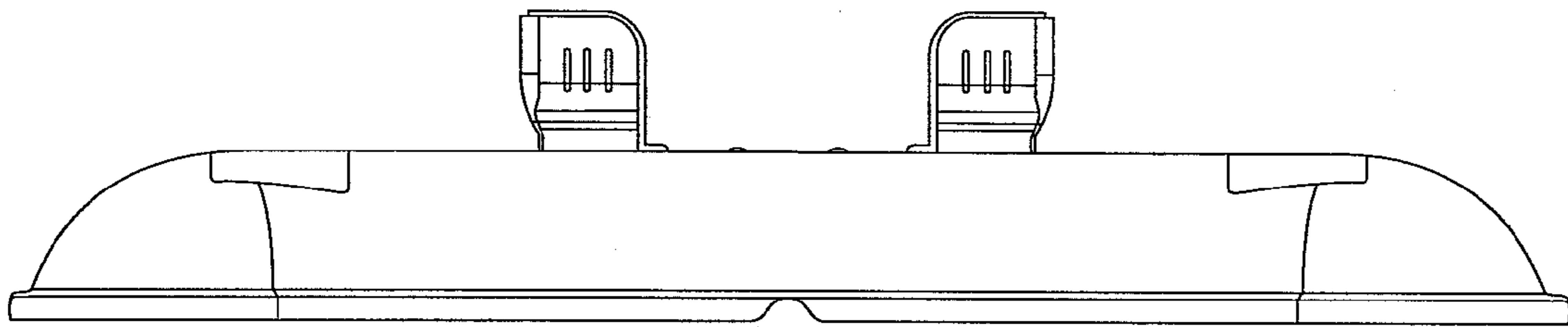


FIG.1

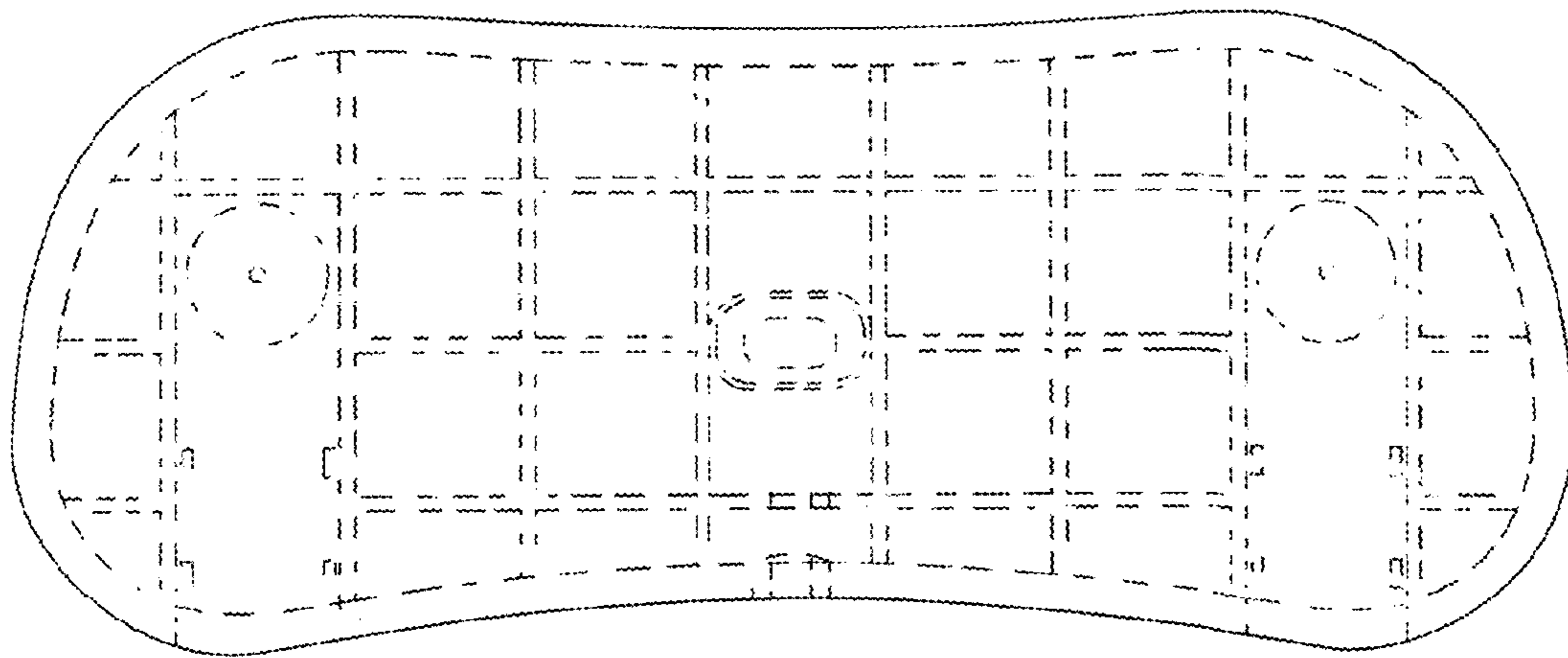


FIG.2

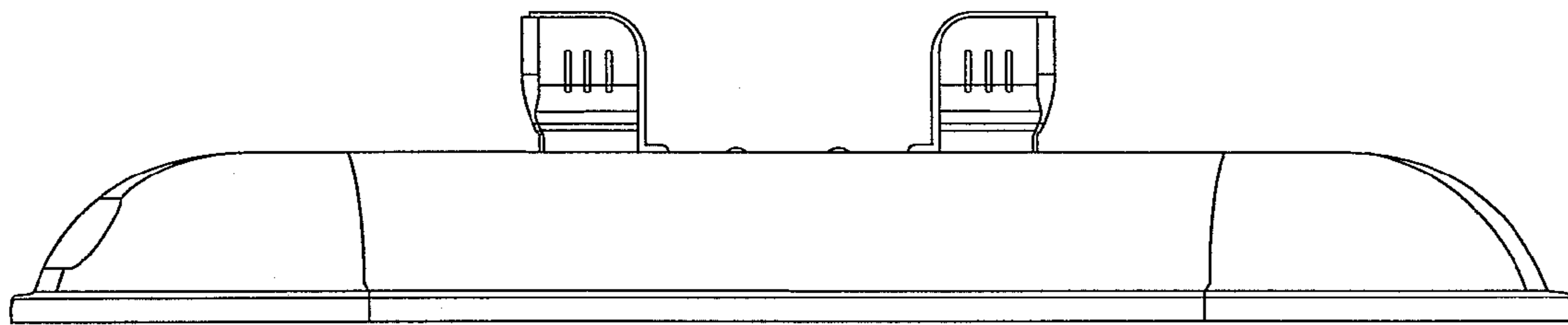


FIG.3

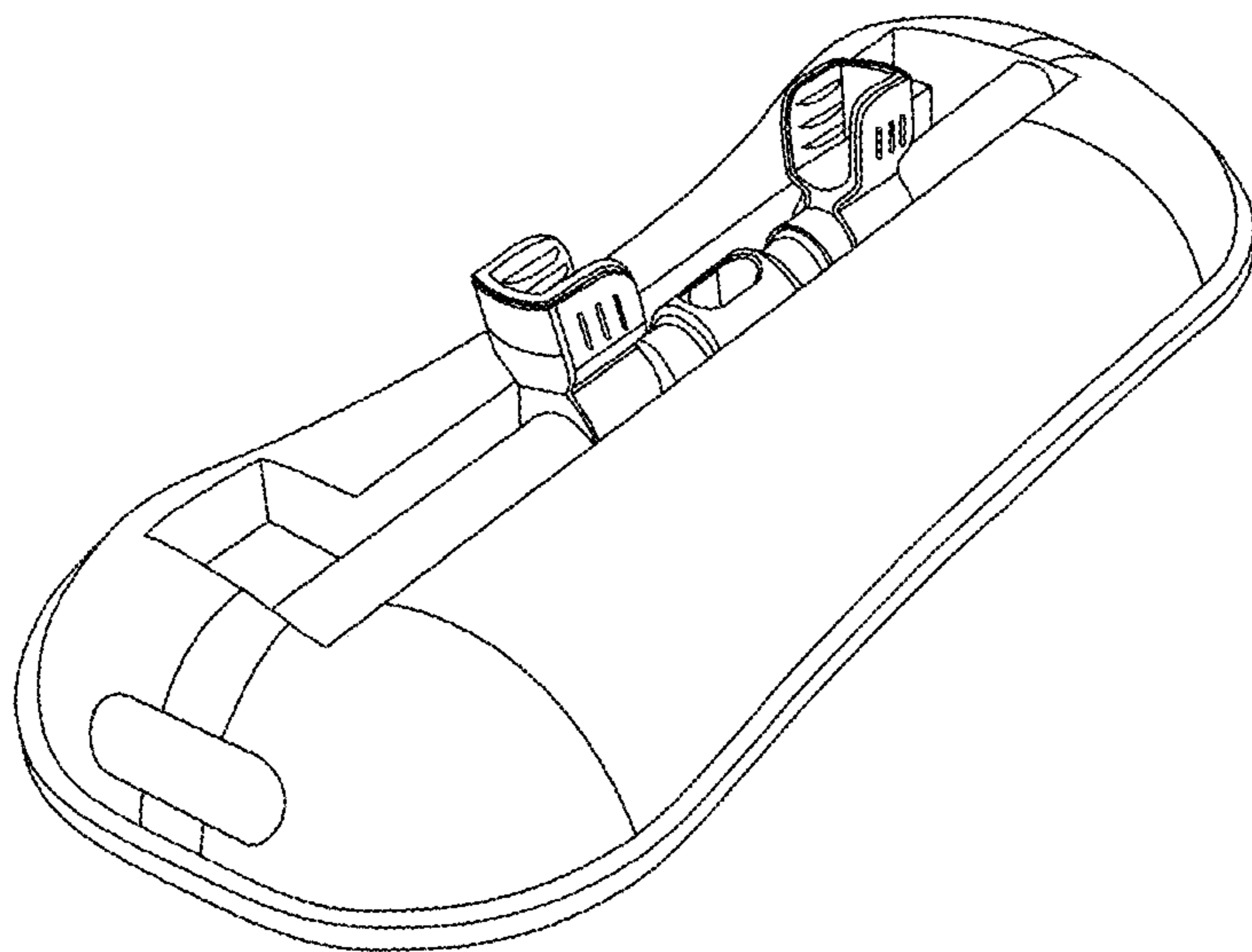


FIG.4

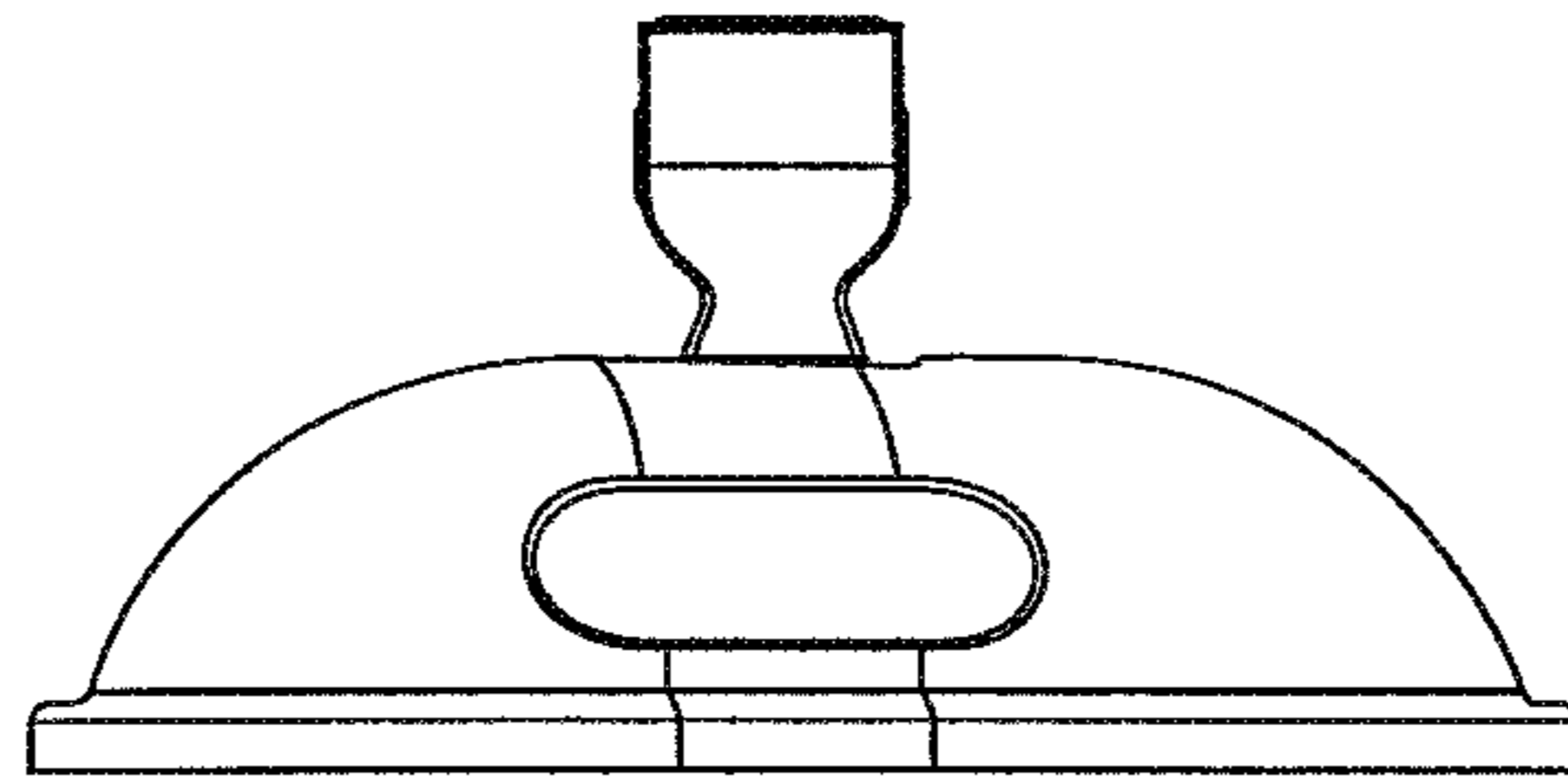


FIG.5

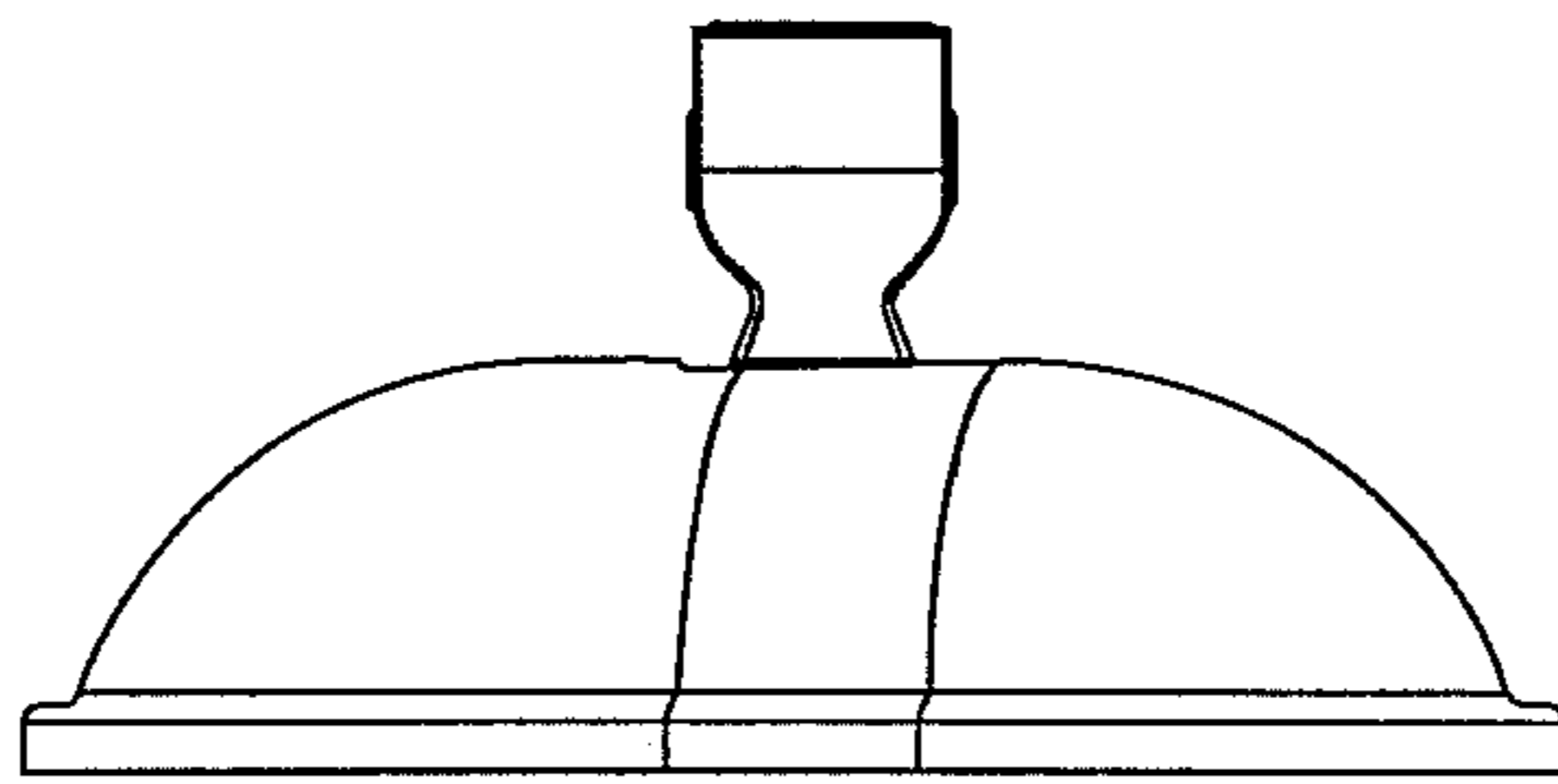


FIG.6

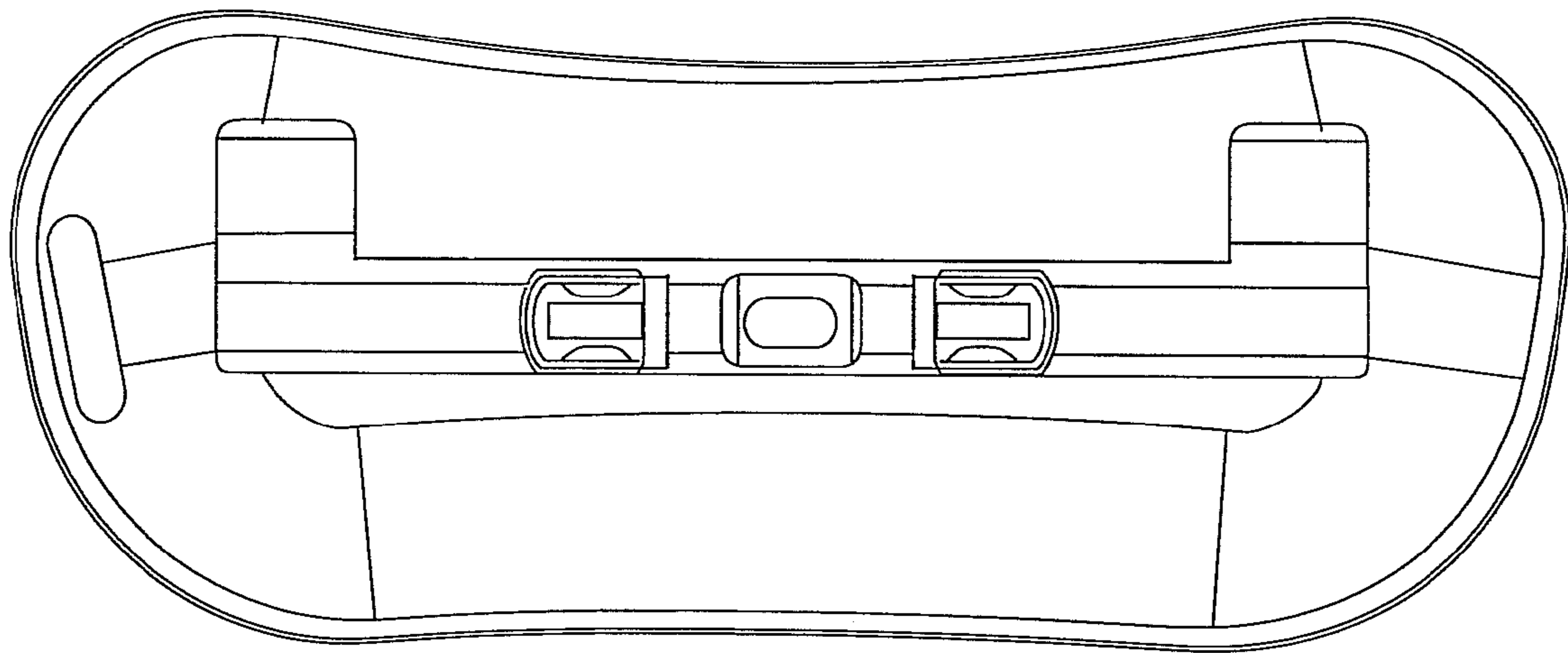


FIG.7

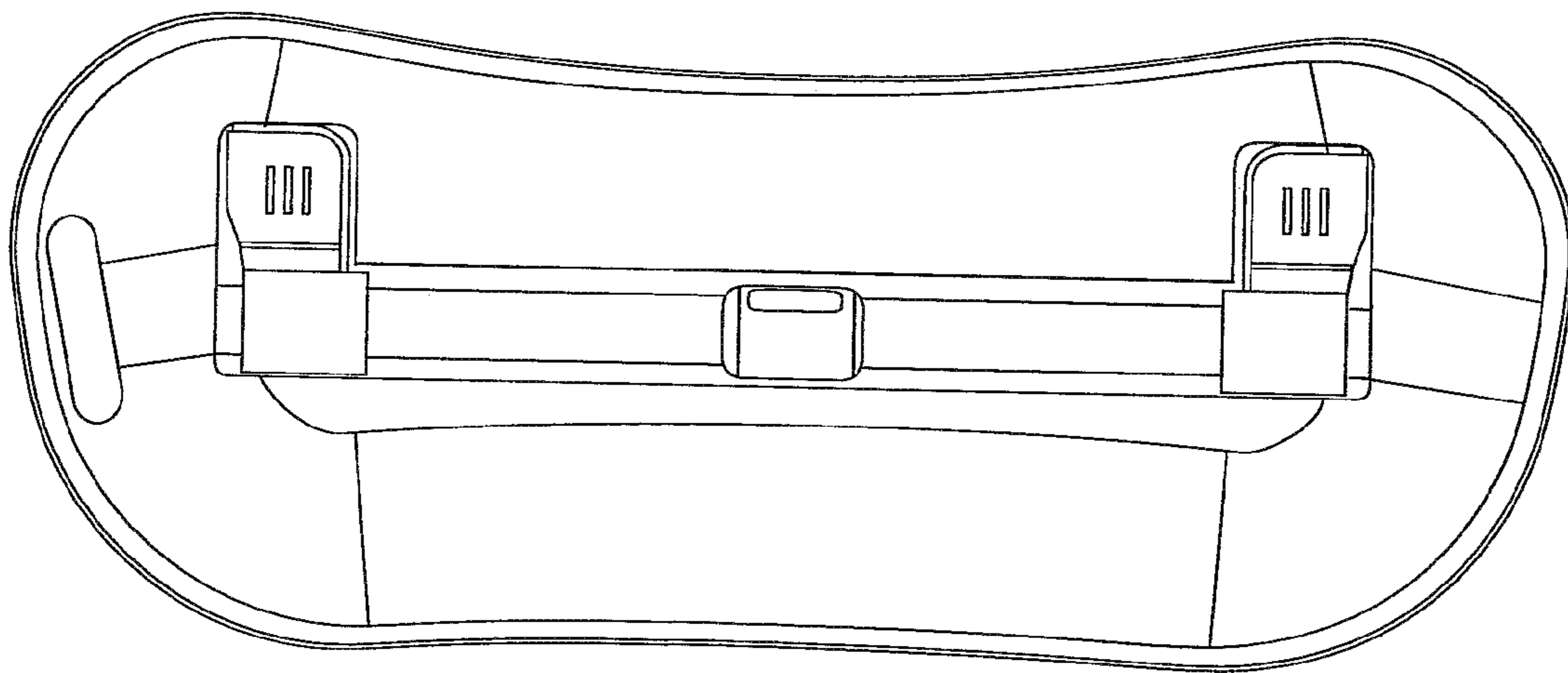


FIG.8

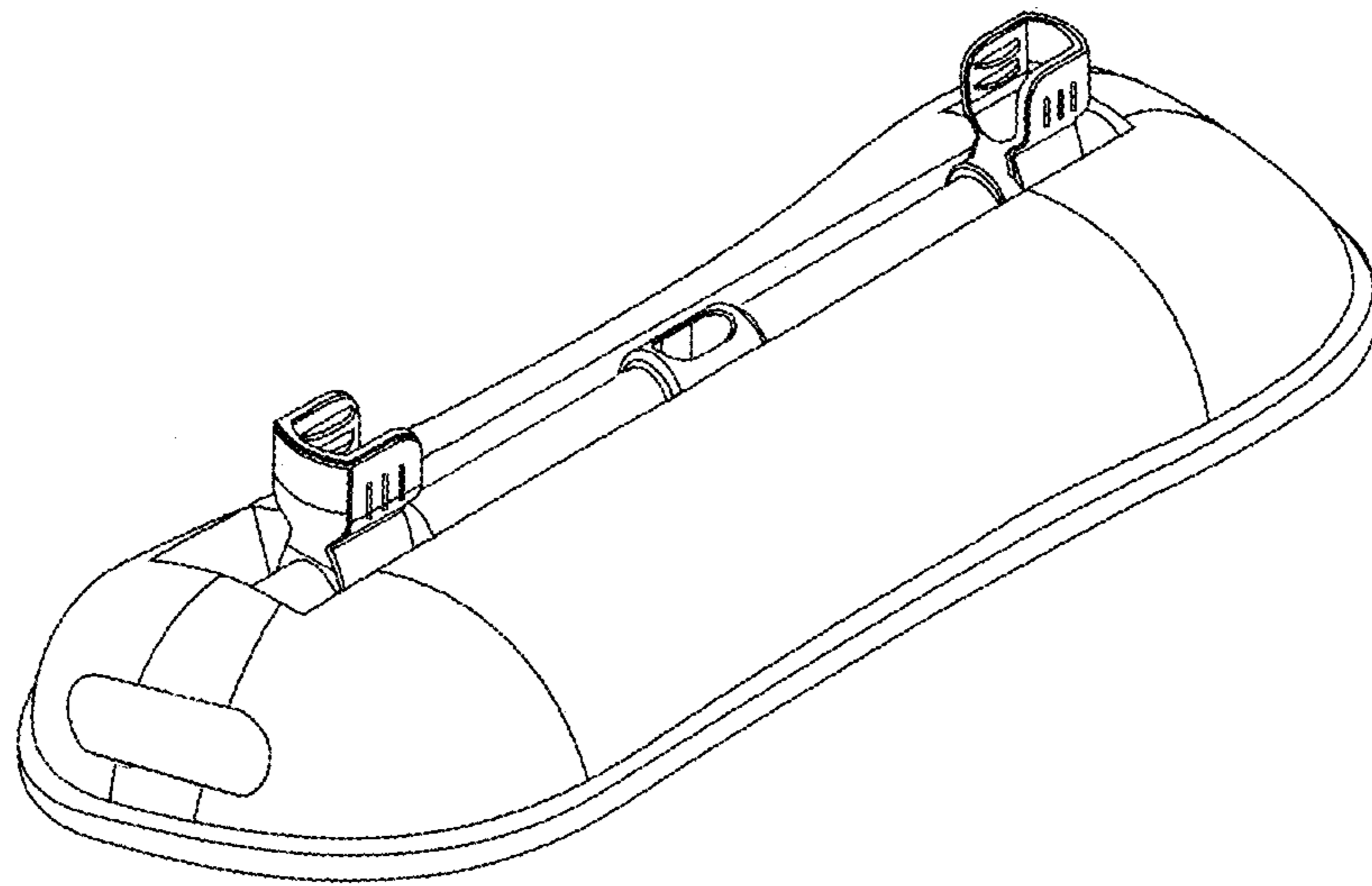


FIG.9

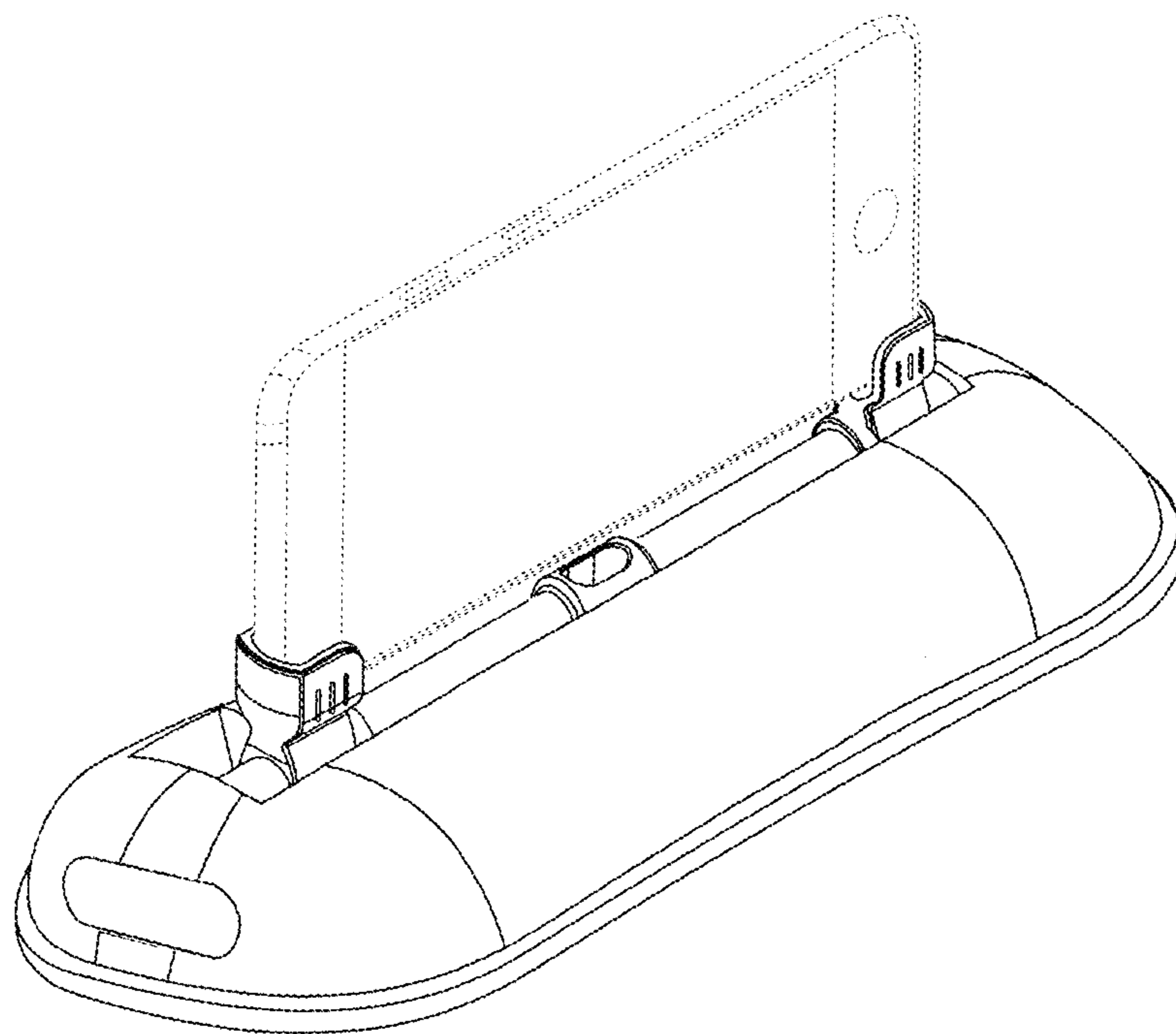


FIG.10

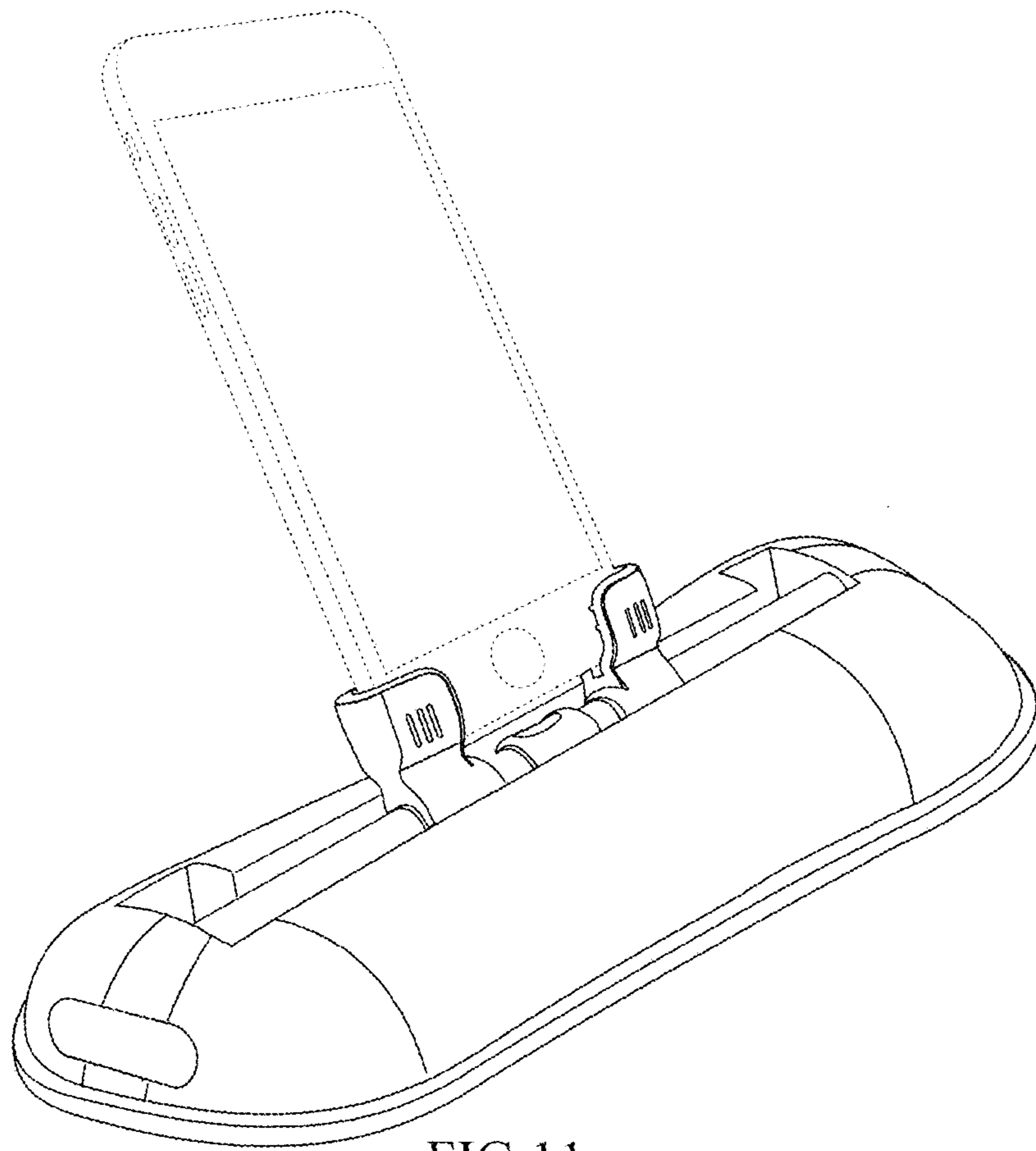


FIG.11