



US00D776644S

(12) **United States Design Patent**  
**Kim et al.**

(10) **Patent No.:** **US D776,644 S**

(45) **Date of Patent:** **\*\* Jan. 17, 2017**

(54) **REPEATER FOR WIRELESS COMMUNICATION**

(71) Applicant: **Samsung Electronics Co., Ltd.**,  
Suwon-si, Gyeonggi-do (KR)

(72) Inventors: **Kyu Cheol Kim**, Seoul (KR); **Ji Hyun Moon**, Gwangmyeong-si (KR)

(73) Assignee: **SAMSUNG ELECTRONICS CO., LTD.**, Suwon-si, Gyeonggi-Do (KR)

(\*\*) Term: **15 Years**

(21) Appl. No.: **29/531,535**

(22) Filed: **Jun. 26, 2015**

(30) **Foreign Application Priority Data**

Jan. 21, 2015 (KR) ..... 30-2015-0003228

(51) **LOC (10) Cl.** ..... **14-03**

(52) **U.S. Cl.**  
USPC ..... **D14/240**

(58) **Field of Classification Search**  
USPC ..... D14/240, 242, 357, 358, 140-140.9,  
155,D14/137, 139, 243, 433  
CPC ..... H04L 12/00; H03K 17/00; H04W 88/00;  
H04W 88/005; H04W 88/02; H04W  
88/08; H04W 88/085; H04W  
88/10; H04W 88/12; H04W 88/14; H04B  
1/38  
See application file for complete search history.

(56) **References Cited**

U.S. PATENT DOCUMENTS

D218,313 S \* 8/1970 Rice ..... D14/242  
D286,403 S \* 10/1986 Parshad ..... D14/240

D418,515 S \* 1/2000 Tucker ..... D13/184  
D422,999 S \* 4/2000 Overton ..... D14/240  
D431,557 S \* 10/2000 Lutz, Jr. .... D14/242  
D461,798 S \* 8/2002 Nagase ..... D14/240  
D461,799 S \* 8/2002 Nagase ..... D14/240  
D461,800 S \* 8/2002 Nagase ..... D14/240  
D462,949 S \* 9/2002 Ichiyoshi ..... D14/240  
D481,379 S \* 10/2003 Nagai ..... D14/240  
D580,423 S \* 11/2008 Ju ..... D14/240  
D738,870 S \* 9/2015 Ding ..... D14/240

FOREIGN PATENT DOCUMENTS

IN 280846-0001 \* 7/2016  
WO D086712-007 \* 12/2015

\* cited by examiner

*Primary Examiner* — Bridget L Eland

*Assistant Examiner* — Lauren McVey

(74) *Attorney, Agent, or Firm* — Ladas & Parry LLP

(57) **CLAIM**

We claim the ornamental design for a repeater for wireless communication, as shown and described.

**DESCRIPTION**

FIG. 1 is the front perspective view of a repeater for wireless communication showing our new design;  
FIG. 2 is the front view thereof;  
FIG. 3 is the rear view thereof;  
FIG. 4 is the left-side view thereof;  
FIG. 5 is the right-side view thereof;  
FIG. 6 is the top plan view thereof;  
FIG. 7 is the bottom plan view thereof; and,  
FIG. 8 is a front perspective view thereof shown in an example environment.

The broken lines in the drawing show unclaimed environment only and form no part of the claimed design.

**1 Claim, 8 Drawing Sheets**

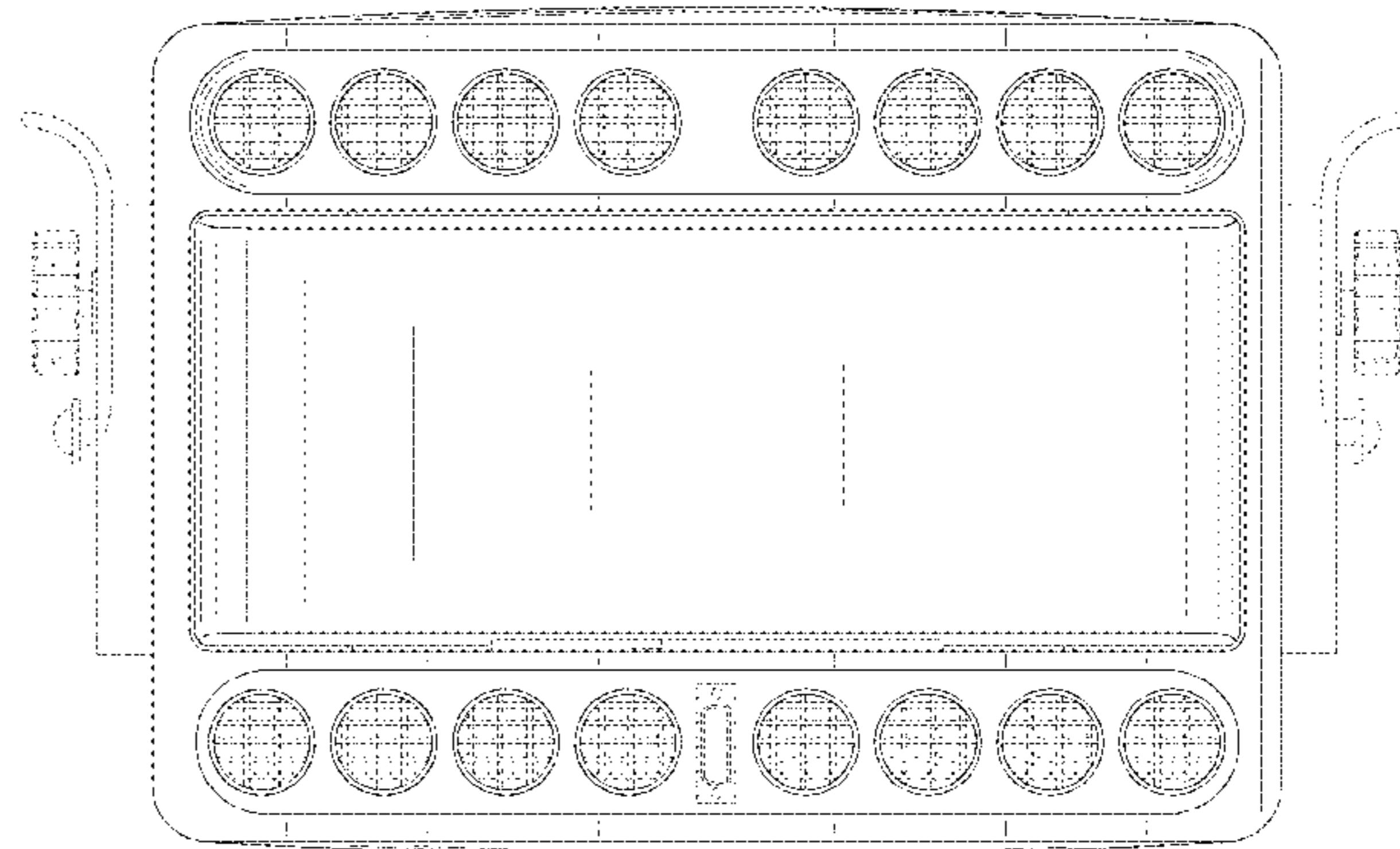
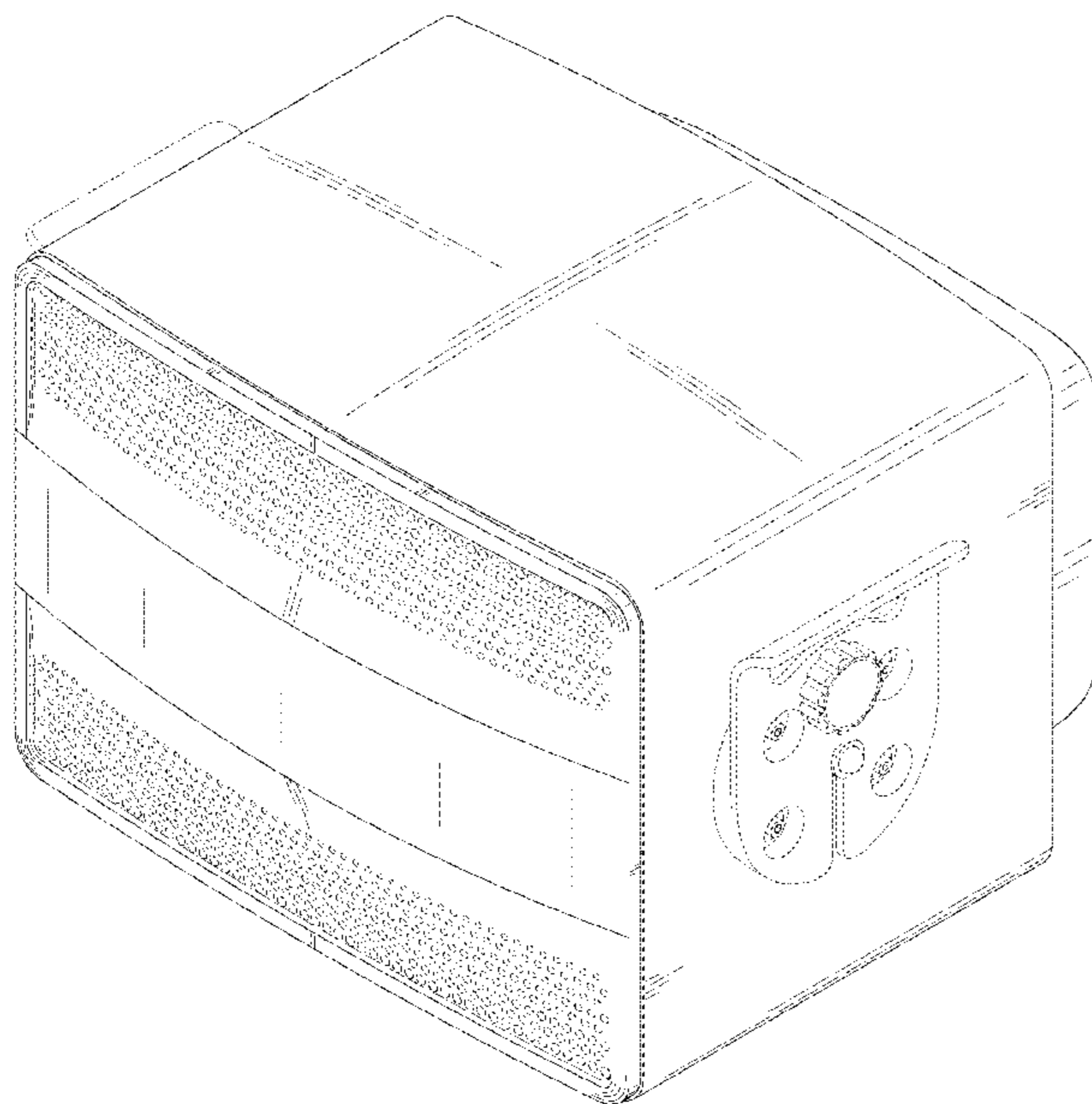


FIG. 1

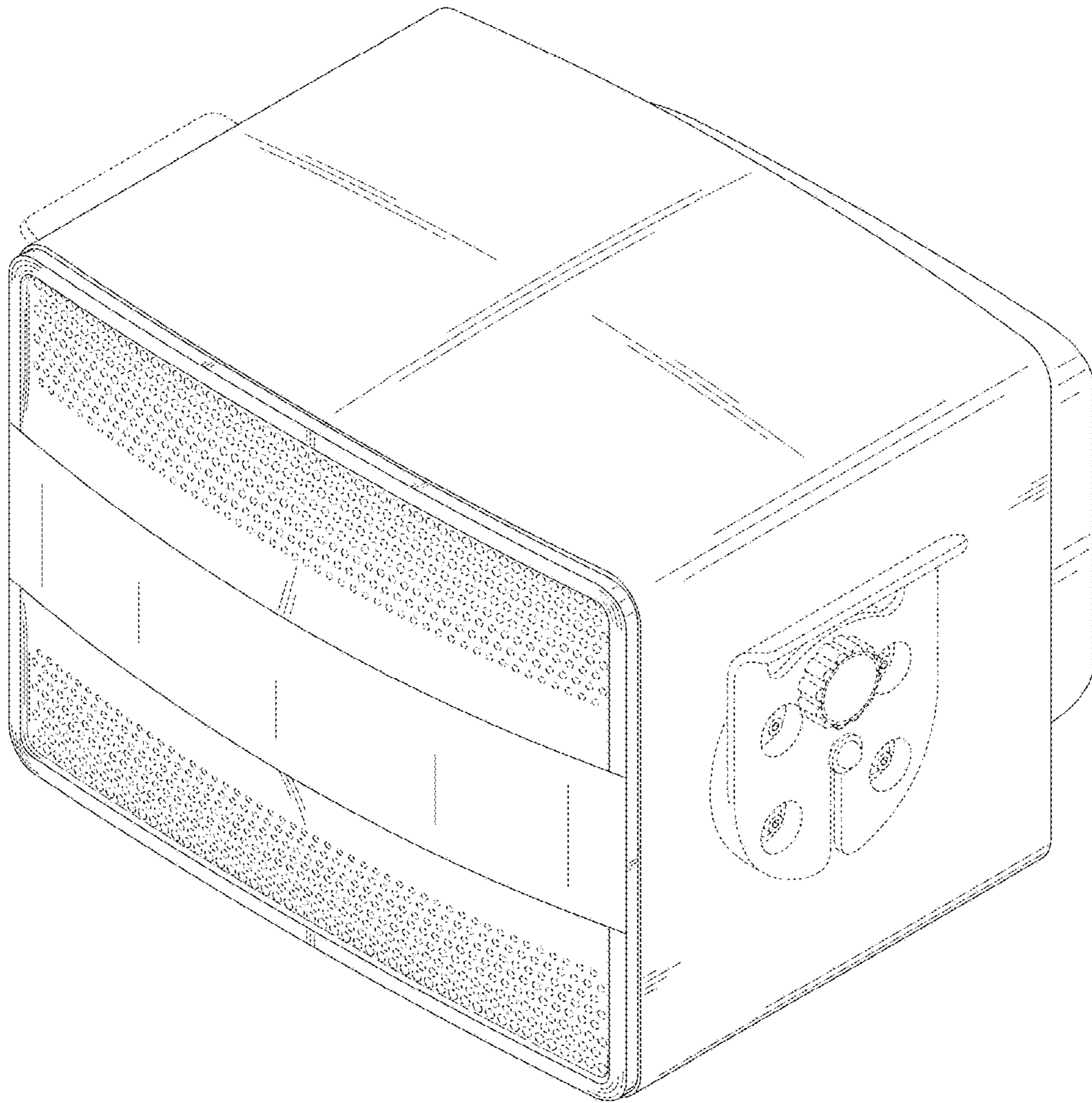


FIG. 2

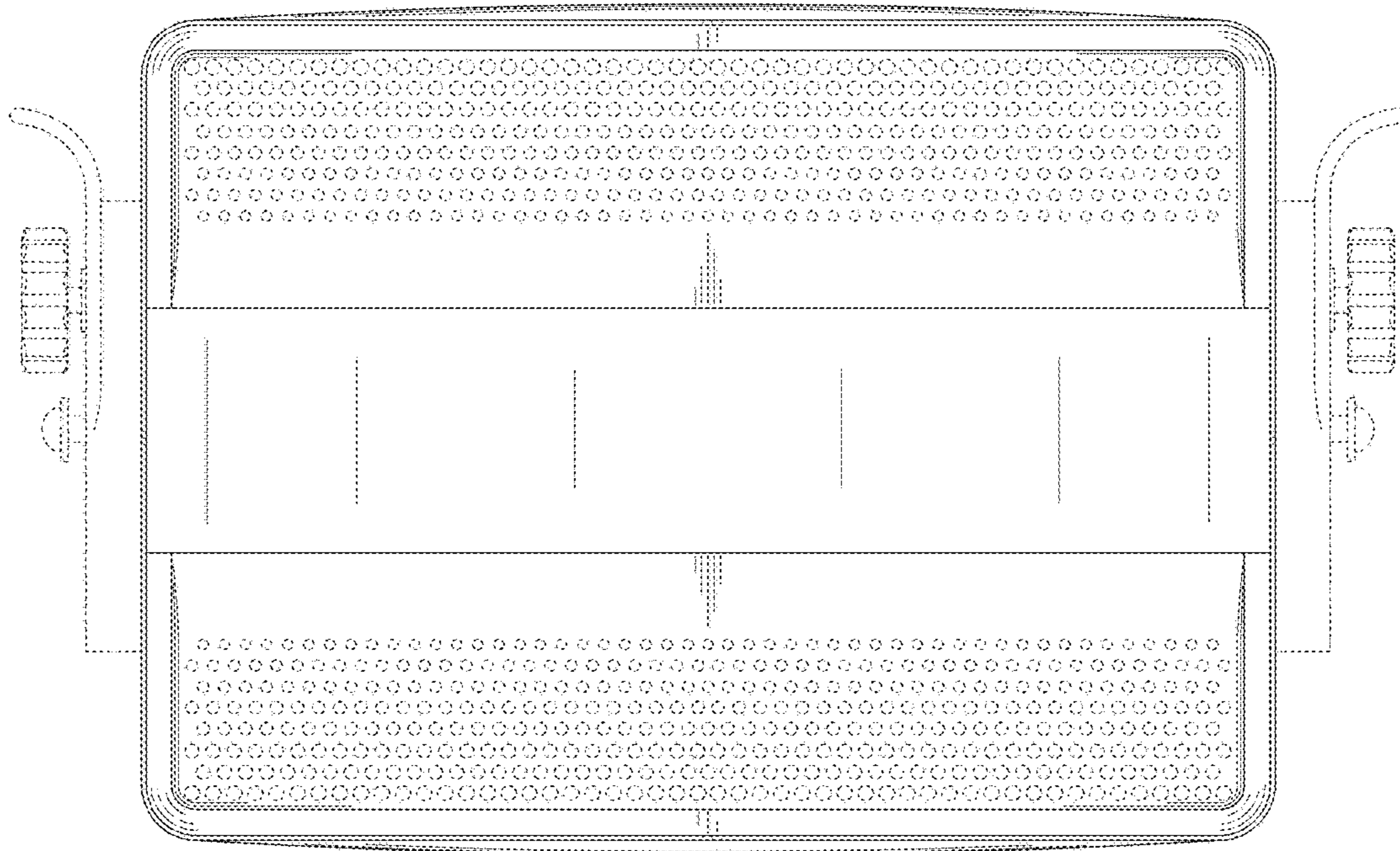




FIG. 3

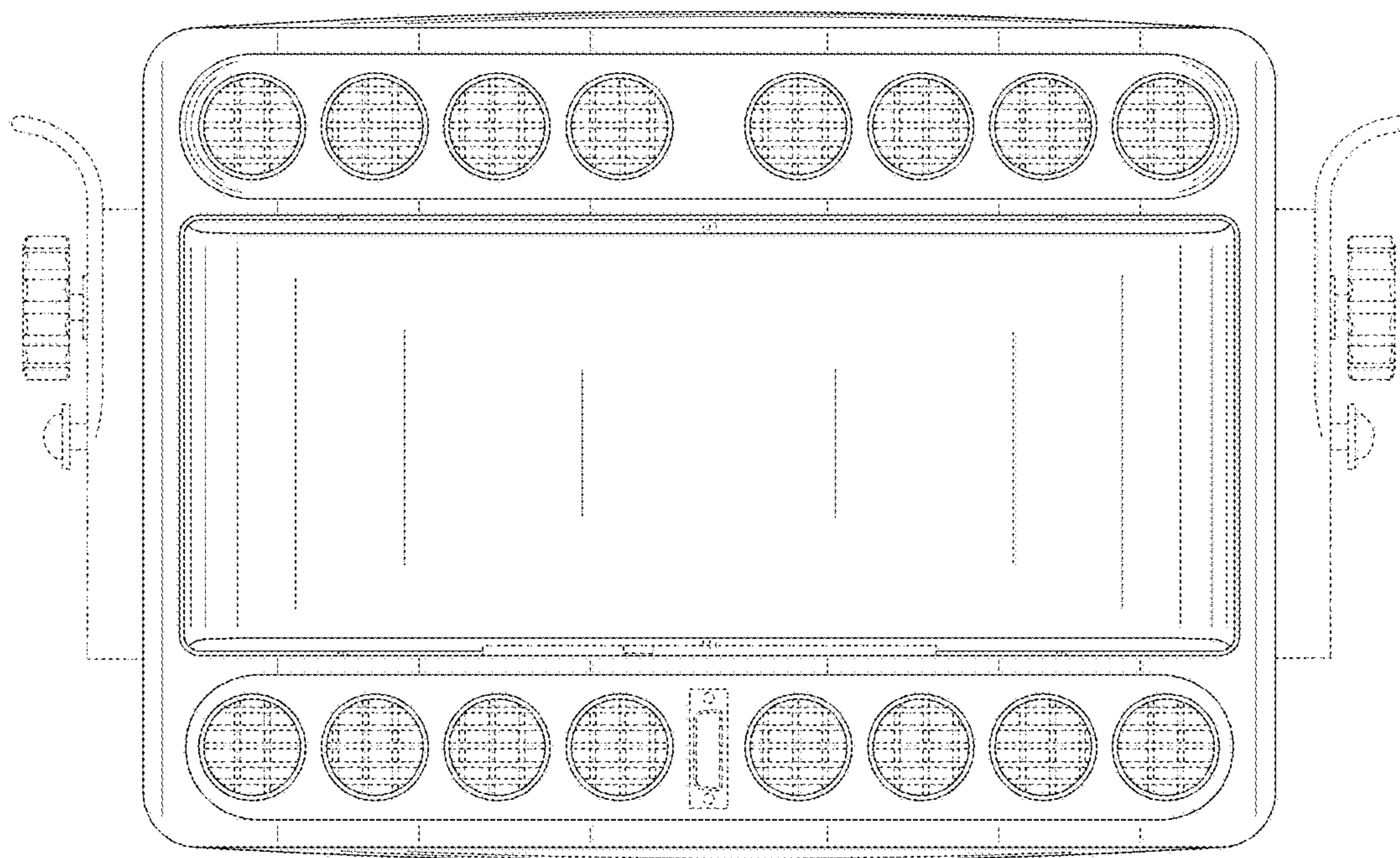


FIG. 4

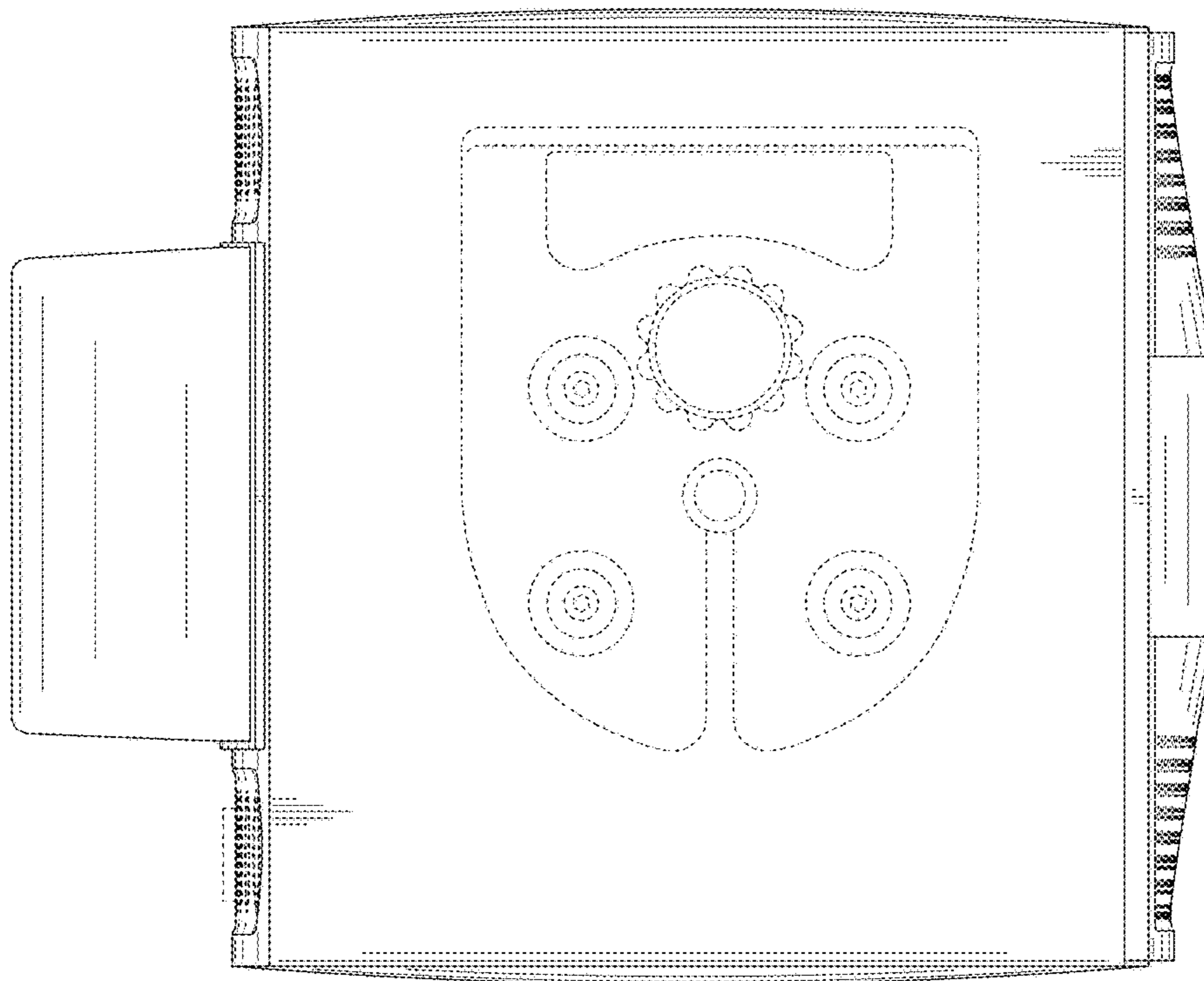


FIG. 5

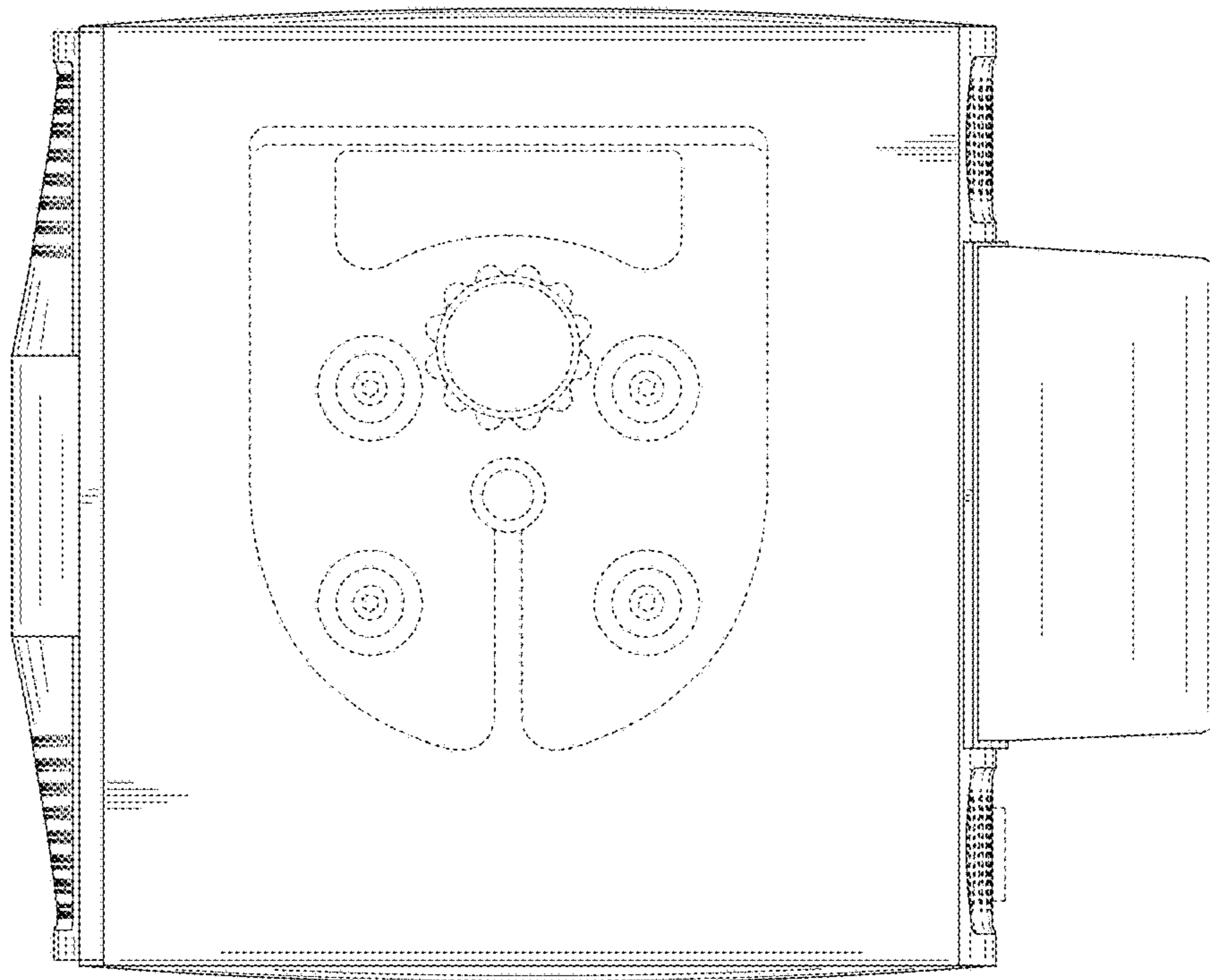


FIG. 6

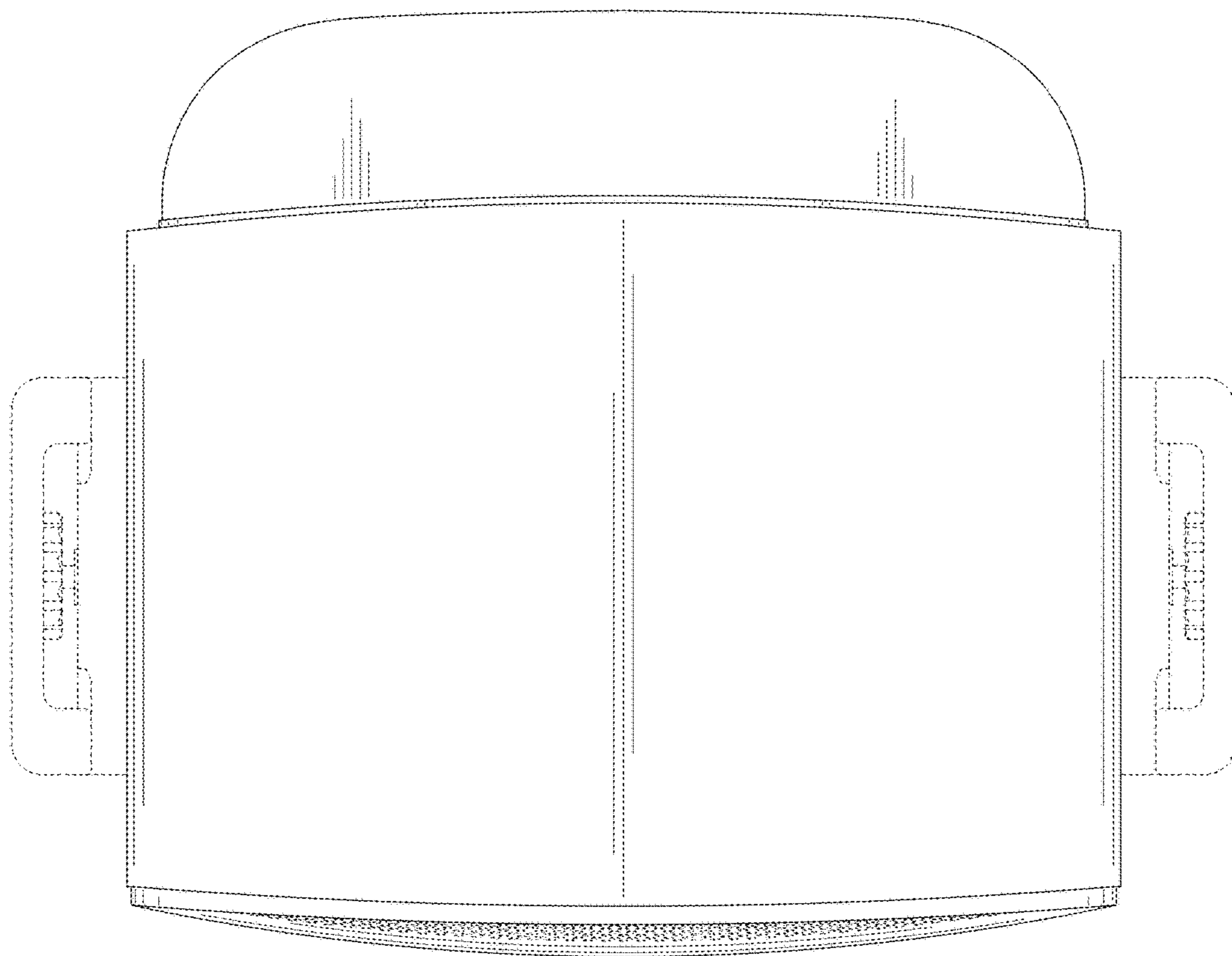


FIG. 7

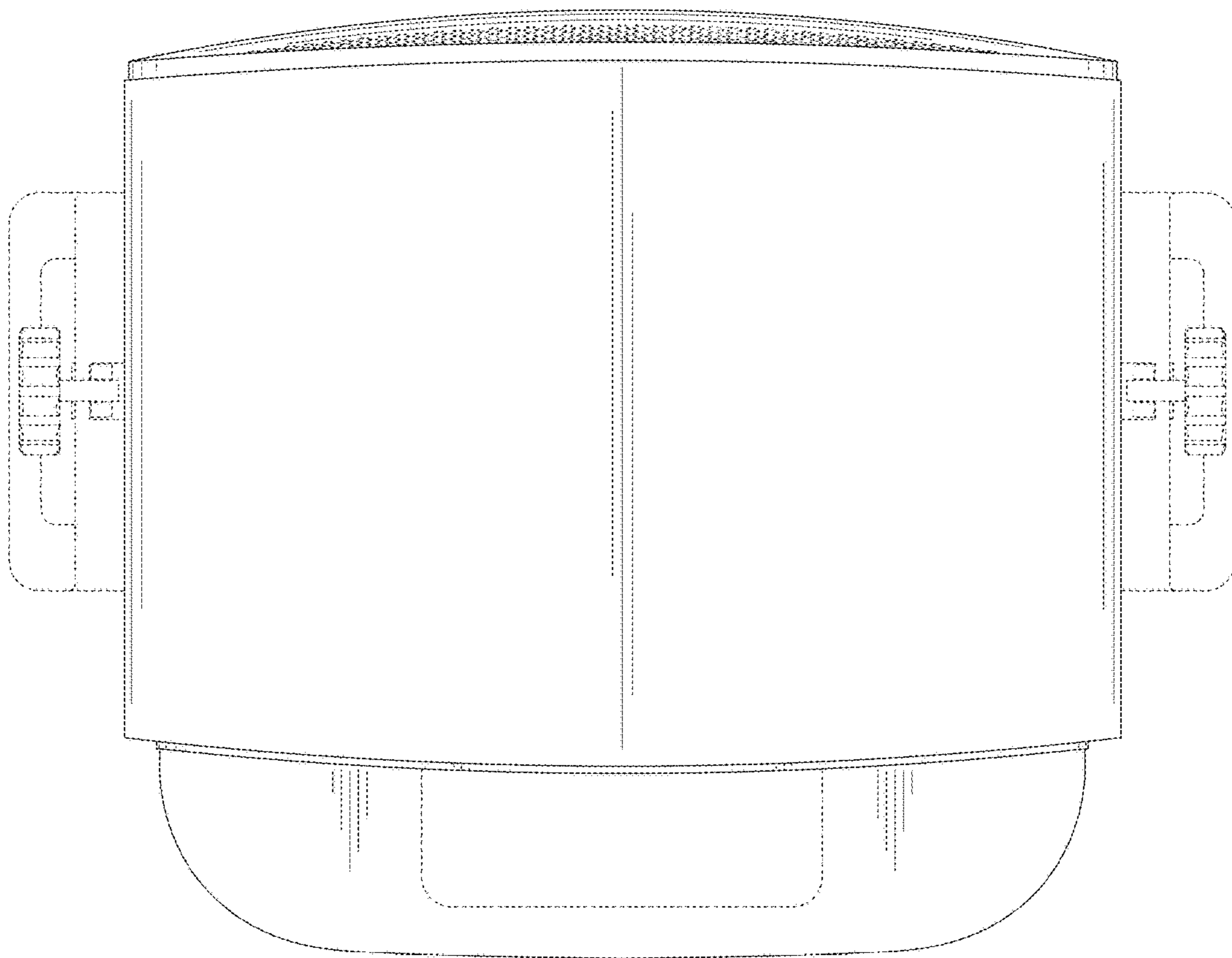




FIG. 8

