

US00D776643S

(12) **United States Design Patent** (10) **Patent No.:** **US D776,643 S**
He (45) **Date of Patent:** **** Jan. 17, 2017**

(54) **ANTENNA**
(71) Applicant: **Airgain, Inc.**, San Diego, CA (US)
(72) Inventor: **Ziming He**, Irvine, CA (US)
(73) Assignee: **Airgain Incorporated**, San Diego, CA (US)
(**) Term: **14 Years**
(21) Appl. No.: **29/488,468**
(22) Filed: **Apr. 18, 2014**
(51) **LOC (10) Cl.** **14-03**
(52) **U.S. Cl.**
USPC **D14/230**
(58) **Field of Classification Search**
USPC .. D14/138, 230–238, 299, 358; 42, D12/43;
343/700 MS, 700 R–705, 711–713,
343/735, 736, 741, 748, 767, 795,
343/819, 840, 846, 866, 871–908;
455/90.2, 90.3, 91, 128, 269, 344, 347,
455/562.1
CPC H01Q 7/00; H01Q 13/10; H01Q 9/285;
H01Q 19/30; H01Q 19/12; H01Q 1/38;
H01Q 1/36; H04B 1/0475; H04B 1/034;
H05K 11/00
See application file for complete search history.

D599,334 S 9/2009 Chiang
D606,053 S 12/2009 Wu et al.
D607,442 S 1/2010 Su et al.
D608,769 S 1/2010 Bufe
D612,368 S 3/2010 Yang et al.
7,705,783 B2 4/2010 Rao et al.
D621,819 S 8/2010 Tsai et al.
7,843,390 B2 11/2010 Liu
D633,483 S 3/2011 Su et al.
D635,127 S 3/2011 Tsai et al.
D635,560 S 4/2011 Tsai et al.
D635,963 S 4/2011 Podduturi
D635,964 S 4/2011 Podduturi
D635,965 S 4/2011 Mi et al.
D636,382 S 4/2011 Podduturi
D649,962 S 12/2011 Tseng et al.

(Continued)

Primary Examiner — John Windmuller
(74) *Attorney, Agent, or Firm* — Clause Eight IPS;
Michael Catania

(57) **CLAIM**

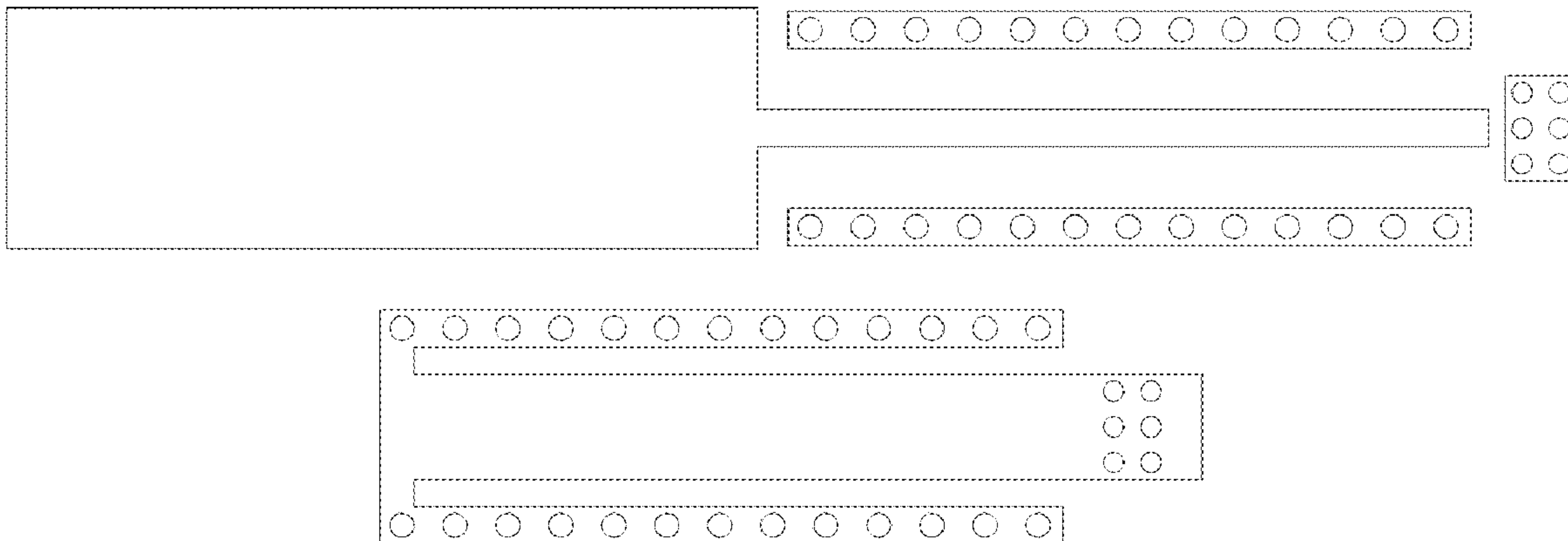
The ornamental design for an antenna, as shown and described.

DESCRIPTION

FIG. 1 is a top plan view of an antenna showing my new design on a base;
FIG. 2 is a side elevation view thereof;
FIG. 3 is a bottom plan view thereof;
FIG. 4 is a top perspective view thereof;
FIG. 5 is a top plan view of the top layer of the antenna shown without the bottom layer for ease of disclosure only;
FIG. 6 is side elevation view of the antenna;
FIG. 7 is a bottom plan view of the bottom layer of the antenna shown without the top layer for ease of disclosure only; and,
FIG. 8 is top perspective view of the antenna.
The broken line showing of a base is environment only and forms no part of the claimed design.

1 Claim, 2 Drawing Sheets

(56) **References Cited**
U.S. PATENT DOCUMENTS
7,061,437 B2* 6/2006 Lin H01Q 9/0442
343/700 MS
7,148,849 B2 12/2006 Lin
D546,821 S 7/2007 Oliver
D549,696 S 8/2007 Oshima et al.
7,333,067 B2 2/2008 Hung et al.
D573,589 S 7/2008 Montgomery et al.
7,405,704 B1 7/2008 Lin et al.
7,477,195 B2 1/2009 Vance
D592,195 S 5/2009 Wu et al.



(56)

References Cited

U.S. PATENT DOCUMENTS

D651,198 S	12/2011	Mi et al.				
D654,059 S	2/2012	Mi et al.				
D654,060 S	2/2012	Ko et al.				
D658,639 S	5/2012	Huang et al.				
D659,129 S	5/2012	Mi et al.				
D659,685 S	5/2012	Huang et al.				
D659,688 S	5/2012	Huang et al.				
D662,916 S	7/2012	Huang et al.				
D671,097 S	11/2012	Mi et al.				
D676,429 S	2/2013	Gosalia et al.				
D678,255 S	3/2013	Ko et al.				
D684,565 S	6/2013	Wei				
D685,772 S	7/2013	Zheng et al.				
D689,474 S *	9/2013	Yang	D14/230			
D702,216 S *	4/2014	Podduturi	D14/230			
D704,173 S *	5/2014	Wang	D14/230			
D710,339 S *	8/2014	Bishop	D14/230			
D750,049 S *	2/2016	Podduturi	D14/230			
2002/0003499 A1	1/2002	Kouarn et al.				
				2004/0222936 A1	11/2004	Hung et al.
				2005/0073462 A1	4/2005	Lin et al.
				2005/0190108 A1	9/2005	Lin et al.
				2006/0208900 A1	9/2006	Tavassoli Hozouri
				2007/0030203 A1	2/2007	Tsai et al.
				2008/0150829 A1	6/2008	Lin et al.
				2009/0002244 A1 *	1/2009	Woo H01Q 1/38
						343/702
				2009/0058739 A1	3/2009	Konishi
				2009/0135072 A1	5/2009	Ke et al.
				2009/0262028 A1	10/2009	Murnbru et al.
				2010/0026594 A1 *	2/2010	Yang H01Q 1/243
						343/702
				2010/0188297 A1	7/2010	Chen et al.
				2010/0309067 A1	12/2010	Tsou et al.
				2011/0006950 A1	1/2011	Park et al.
				2012/0038514 A1	2/2012	Bang
				2012/0229348 A1	9/2012	Chiang
				2012/0242546 A1	9/2012	Hu et al.
				2015/0048991 A1 *	2/2015	Pajona H01Q 7/00
						343/852

* cited by examiner

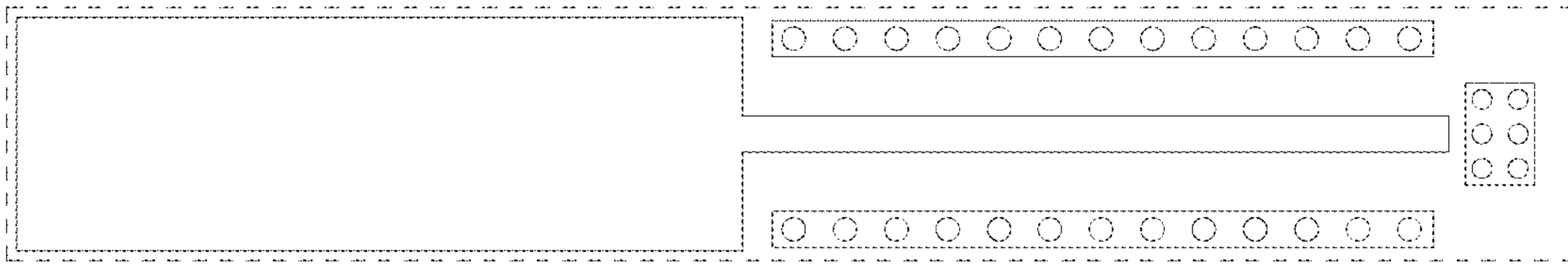


FIG. 1

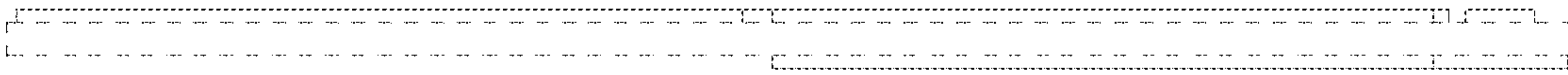


FIG. 2

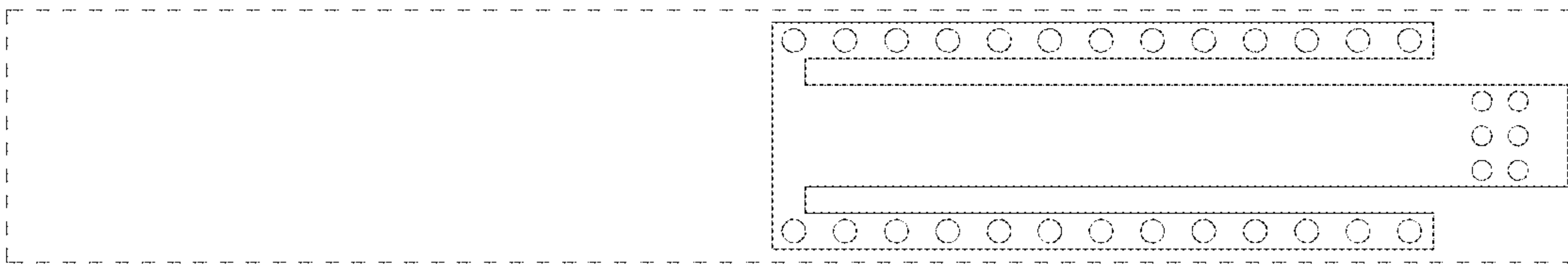


FIG. 3

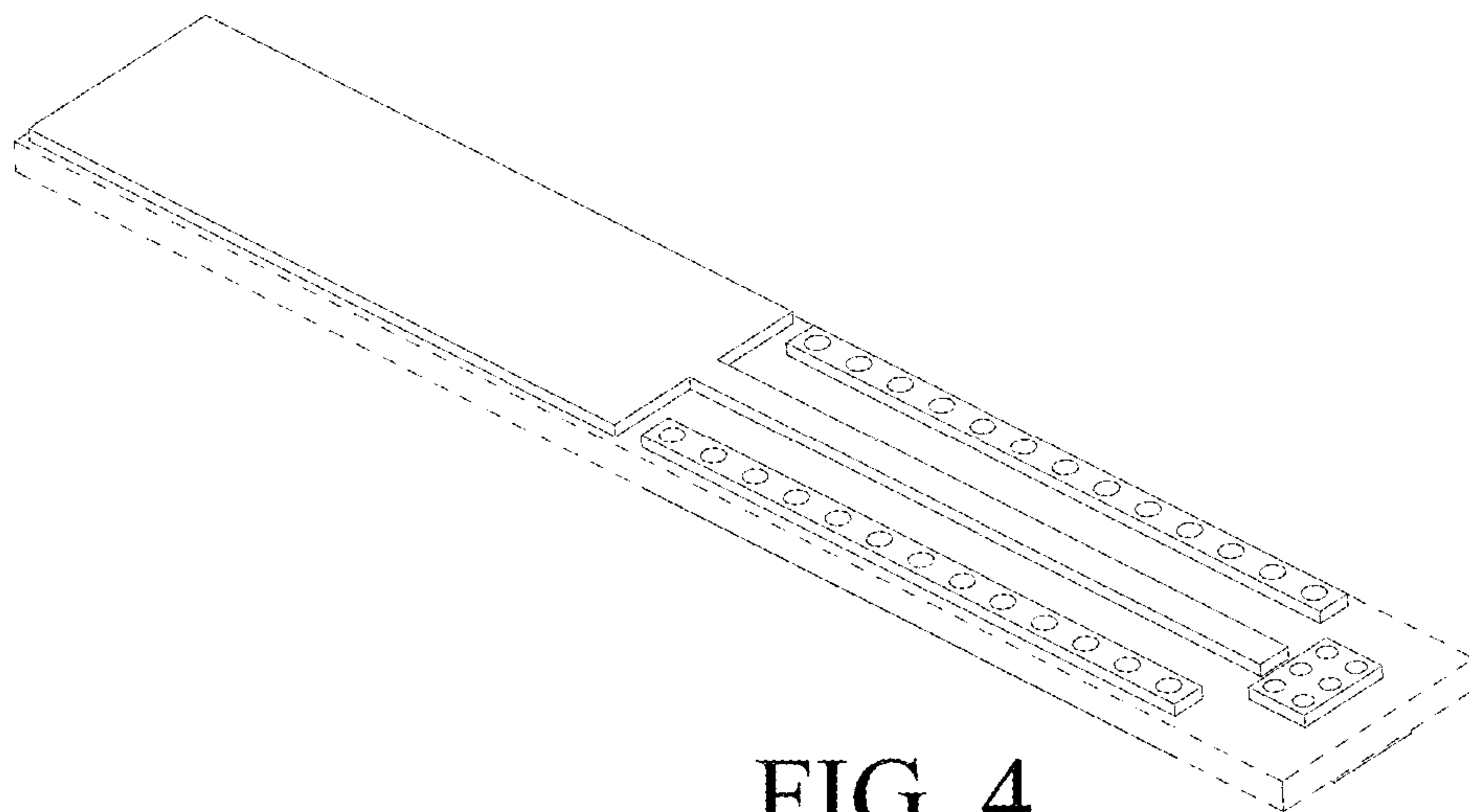


FIG. 4

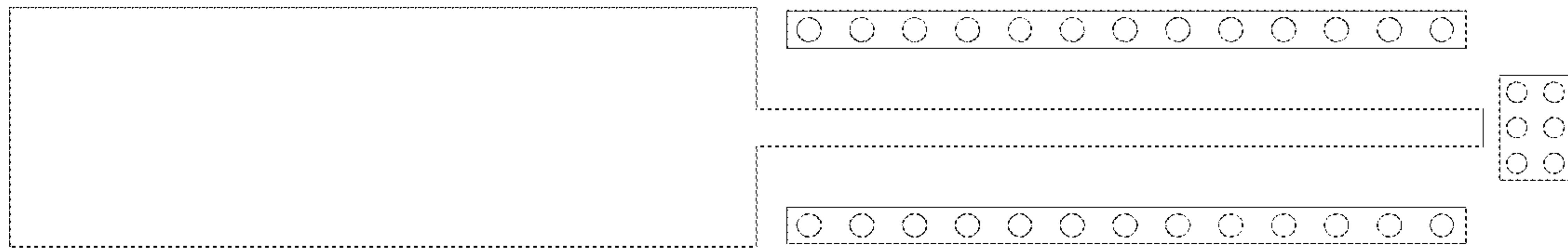


FIG. 5

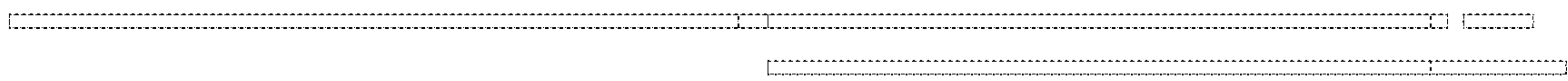


FIG. 6

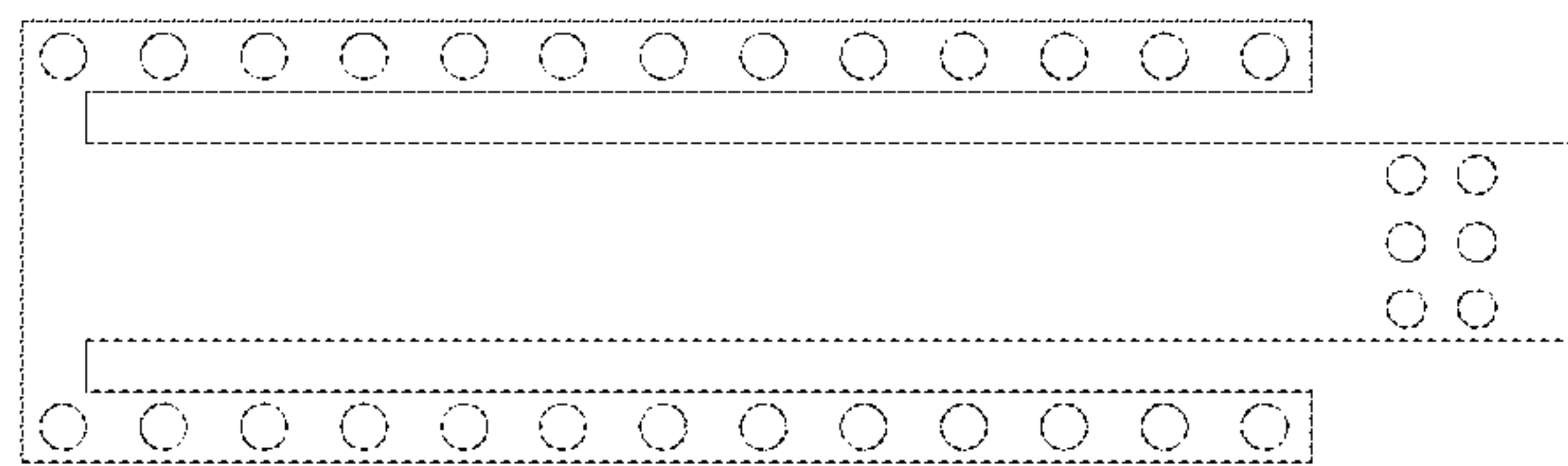


FIG. 7

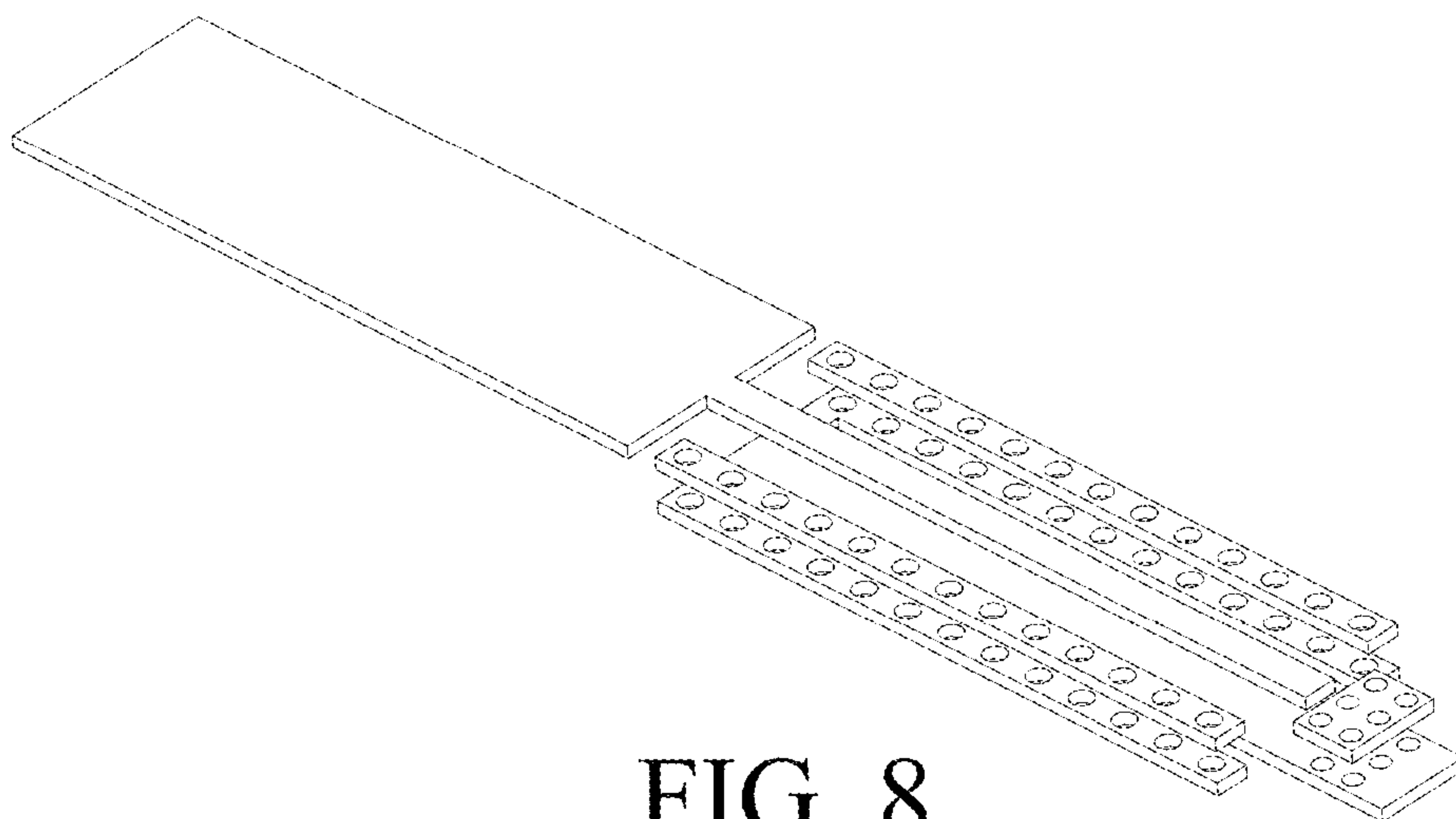


FIG. 8