



US00D776640S

(12) **United States Design Patent** (10) **Patent No.:** **US D776,640 S**
Simonian et al. (45) **Date of Patent:** **** Jan. 17, 2017**

(54) **COMPUTER-GENERATED USER INTERFACE CONTROLLER**

DESCRIPTION

(71) Applicant: **GOOGLE INC.**, Mountain View, CA (US)
(72) Inventors: **Michael Simonian**, San Francisco, CA (US); **Basheer Tome**, San Francisco, CA (US); **Maaiké Evers**, San Francisco, CA (US); **Hayes S. Raffle**, Palo Alto, CA (US); **Albert Lee**, San Francisco, CA (US)
(73) Assignee: **Google Inc.**, Mountain View, CA (US)
(**) Term: **15 Years**
(21) Appl. No.: **29/565,065**
(22) Filed: **May 17, 2016**
(51) **LOC (10) Cl.** **14-03**
(52) **U.S. Cl.**
USPC **D14/218**
(58) **Field of Classification Search**
USPC D14/137, 174, 217–218, 240, 247, D14/388–390, 396, 511; D21/516; D13/162–164, 168; 715/738; 434/350; 600/323; 348/211.99, 14.05, 114, 734; 341/175–176; 455/575.1
(Continued)

(56) **References Cited**

U.S. PATENT DOCUMENTS

D571,305 S * 6/2008 Thursfield D13/168
D602,473 S * 10/2009 Moller D14/218
(Continued)

Primary Examiner — Ralf Seifert
(74) *Attorney, Agent, or Firm* — Brake Hughes Bellermann LLP

(57) **CLAIM**

What is claimed is an ornamental design for a computer-generated user interface controller, as shown and described herein.

FIG. 1 is a front perspective view of a computer-generated user interface controller;
FIG. 2 is a top view of the computer-generated user interface controller shown in FIG. 1;
FIG. 3 is a bottom view of the computer-generated user interface controller shown in FIG. 1;
FIG. 4 is a front-side view of the computer-generated user interface controller shown in FIG. 1;
FIG. 5 is a back-side view of the computer-generated user interface controller shown in FIG. 1;
FIG. 6 is a right-side view of the computer-generated user interface controller shown in FIG. 1; and
FIG. 7 is a left-side view of the computer-generated user interface controller shown in FIG. 1.
FIG. 8 is a front perspective view of a computer-generated user interface controller;
FIG. 9 is a top view of the computer-generated user interface controller shown in FIG. 8;
FIG. 10 is a bottom view of the computer-generated user interface controller shown in FIG. 8;
FIG. 11 is a front-side view of the computer-generated user interface controller shown in FIG. 8;
FIG. 12 is a back-side view of the computer-generated user interface controller shown in FIG. 8;
FIG. 13 is a right-side view of the computer-generated user interface controller shown in FIG. 8; and
FIG. 14 is a left-side view of the computer-generated user interface controller shown in FIG. 8.
FIG. 15 is a front perspective view of a computer-generated user interface controller;
FIG. 16 is a top view of the computer-generated user interface controller shown in FIG. 15;
FIG. 17 is a bottom view of the computer-generated user interface controller shown in FIG. 15;
FIG. 18 is a front-side view of the computer-generated user interface controller shown in FIG. 15;
FIG. 19 is a back-side view of the computer-generated user interface controller shown in FIG. 15;
FIG. 20 is a right-side view of the computer-generated user interface controller shown in FIG. 15; and
FIG. 21 is a left-side view of the computer-generated user interface controller shown in FIG. 15.

(Continued)

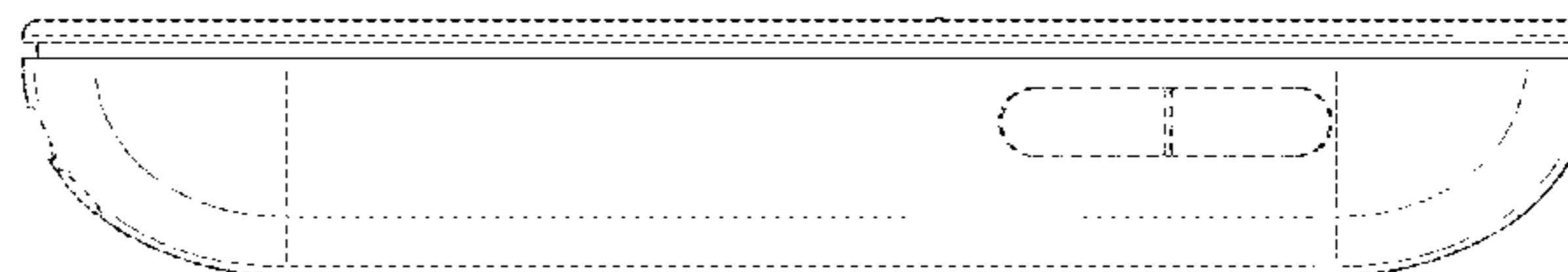
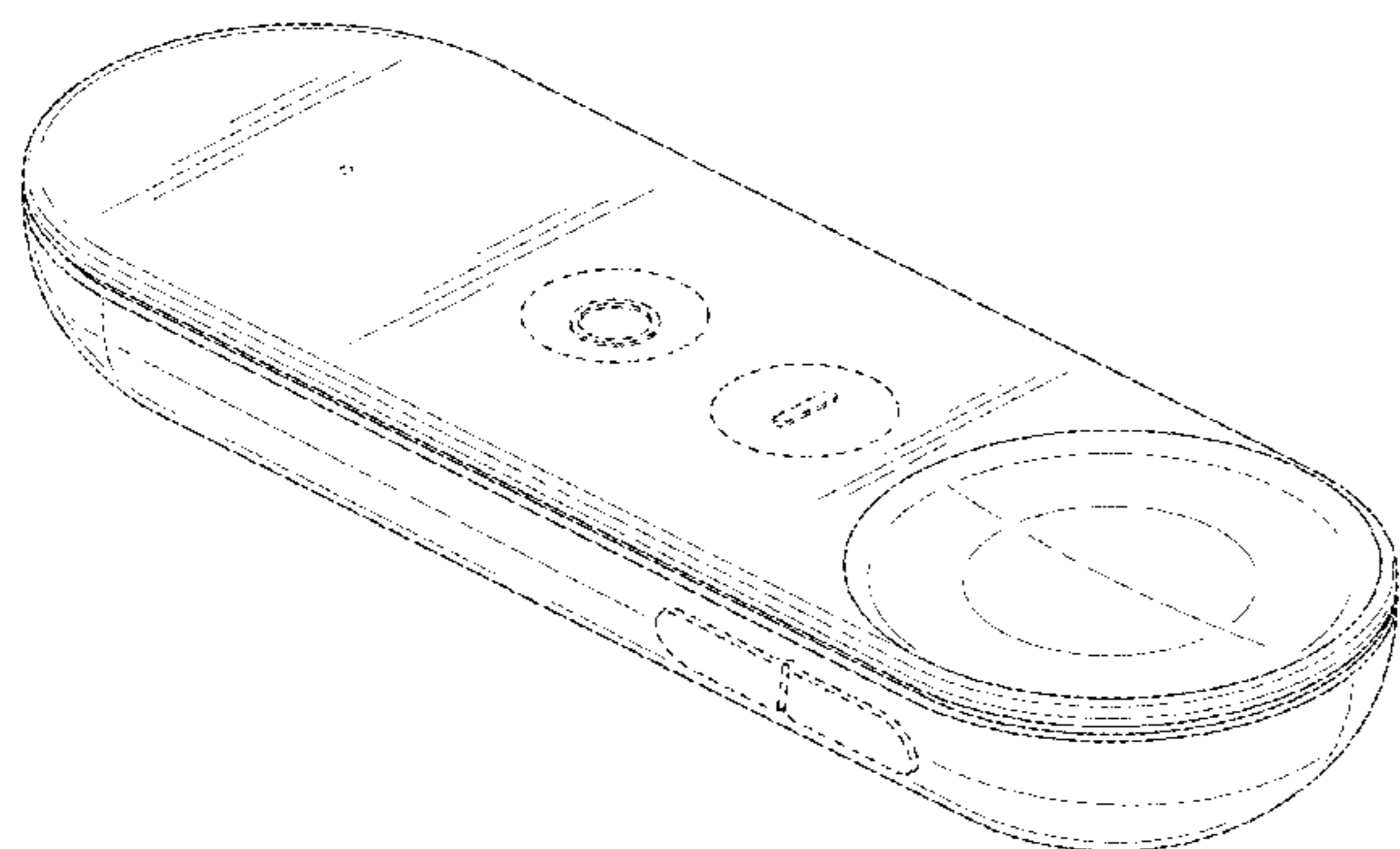


FIG. 22 is a front perspective view of a computer-generated user interface controller;
 FIG. 23 is a top view of the computer-generated user interface controller shown in FIG. 22;
 FIG. 24 is a bottom view of the computer-generated user interface controller shown in FIG. 22;
 FIG. 25 is a front-side view of the computer-generated user interface controller shown in FIG. 22;
 FIG. 26 is a back-side view of the computer-generated user interface controller shown in FIG. 22;
 FIG. 27 is a right-side view of the computer-generated user interface controller shown in FIG. 22; and,
 FIG. 28 is a left-side view of the computer-generated user interface controller shown in FIG. 22.
 Any broken lines in the drawings are for purposes of illustrating portions of the controller and form no part of the claimed design.

1 Claim, 28 Drawing Sheets

(58) **Field of Classification Search**

CPC G08C 23/04; G08C 19/12; H04N 5/44;
 H04L 17/02

See application file for complete search history.

(56)

References Cited

U.S. PATENT DOCUMENTS

| | | | | | |
|----------|---|---|---------|-----------------|---------|
| D628,988 | S | * | 12/2010 | Yu | D14/218 |
| D633,478 | S | * | 3/2011 | Bolton | D14/218 |
| D646,280 | S | * | 10/2011 | Yano | D14/188 |
| D647,510 | S | * | 10/2011 | Maier | D14/218 |
| D647,511 | S | * | 10/2011 | Maier | D14/218 |
| D651,589 | S | * | 1/2012 | Fischer | D14/218 |
| D663,288 | S | * | 7/2012 | Aquillano | D14/218 |
| D679,680 | S | * | 4/2013 | Wood | D14/218 |
| D681,608 | S | * | 5/2013 | Takami | D14/218 |
| D688,232 | S | * | 8/2013 | Zhang | D14/218 |
| D695,272 | S | * | 12/2013 | Hansen | D14/218 |
| D714,762 | S | * | 10/2014 | O'Neil | D14/218 |
| D722,046 | S | * | 2/2015 | Kuh | D14/218 |
| D729,774 | S | * | 5/2015 | Uchiyama | D14/218 |
| D735,166 | S | * | 7/2015 | Hansen | D14/218 |
| D735,696 | S | * | 8/2015 | Sirpal | D14/218 |
| D749,061 | S | * | 2/2016 | Lee | D14/218 |
| D757,692 | S | * | 5/2016 | Maxwell | D14/218 |
| D758,352 | S | * | 6/2016 | Sirpal | D14/218 |
| D760,197 | S | * | 6/2016 | Huebner | D14/218 |
| D763,830 | S | * | 8/2016 | Jones | D14/218 |

* cited by examiner

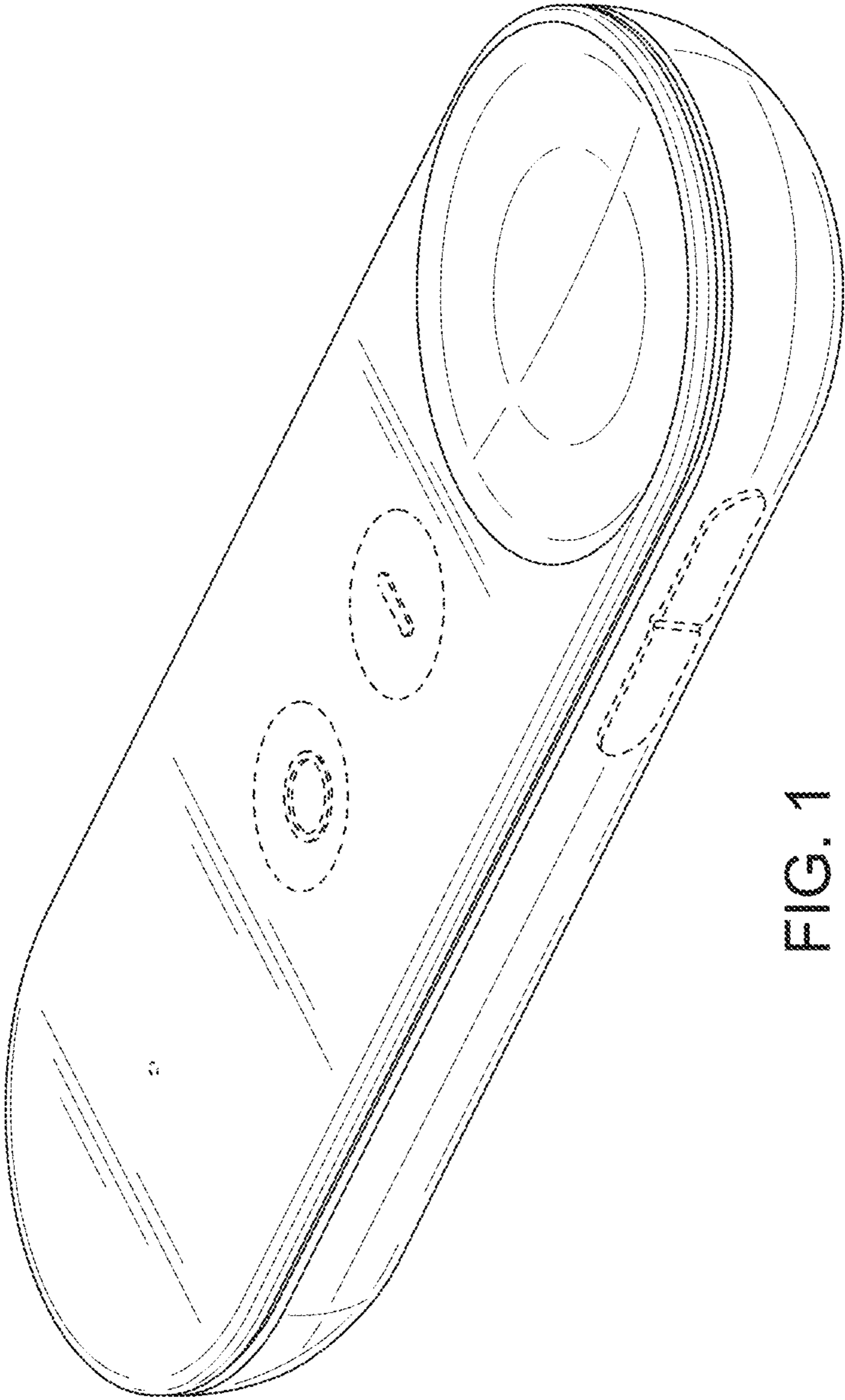


FIG. 1

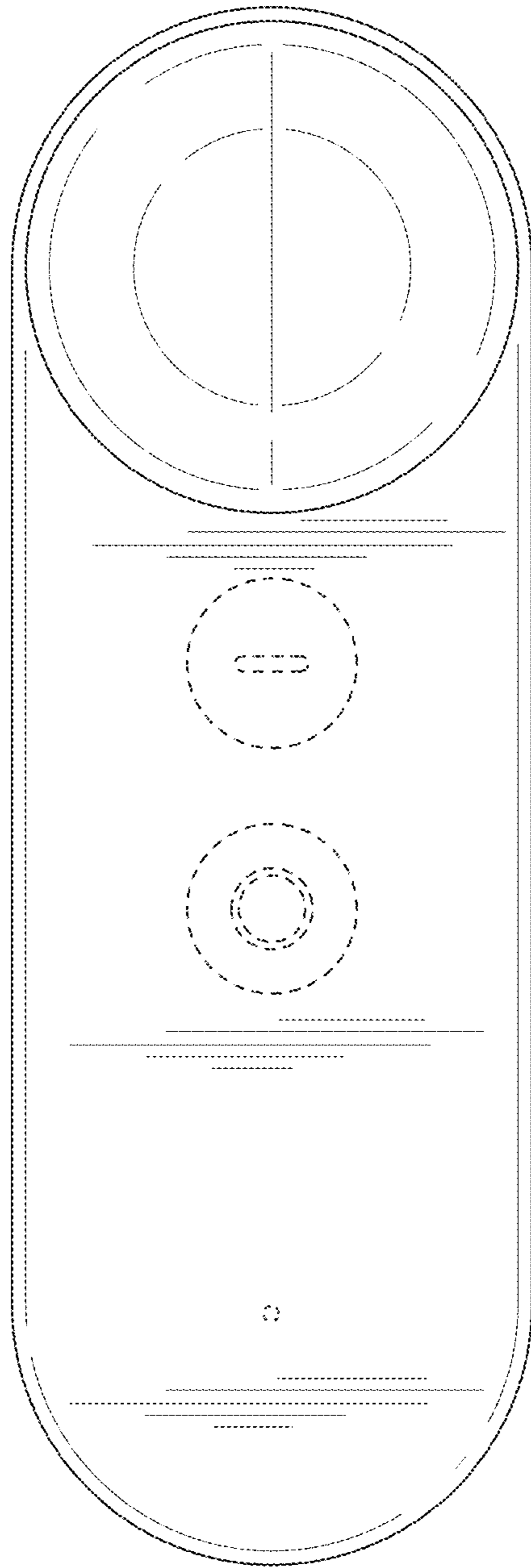


FIG. 2

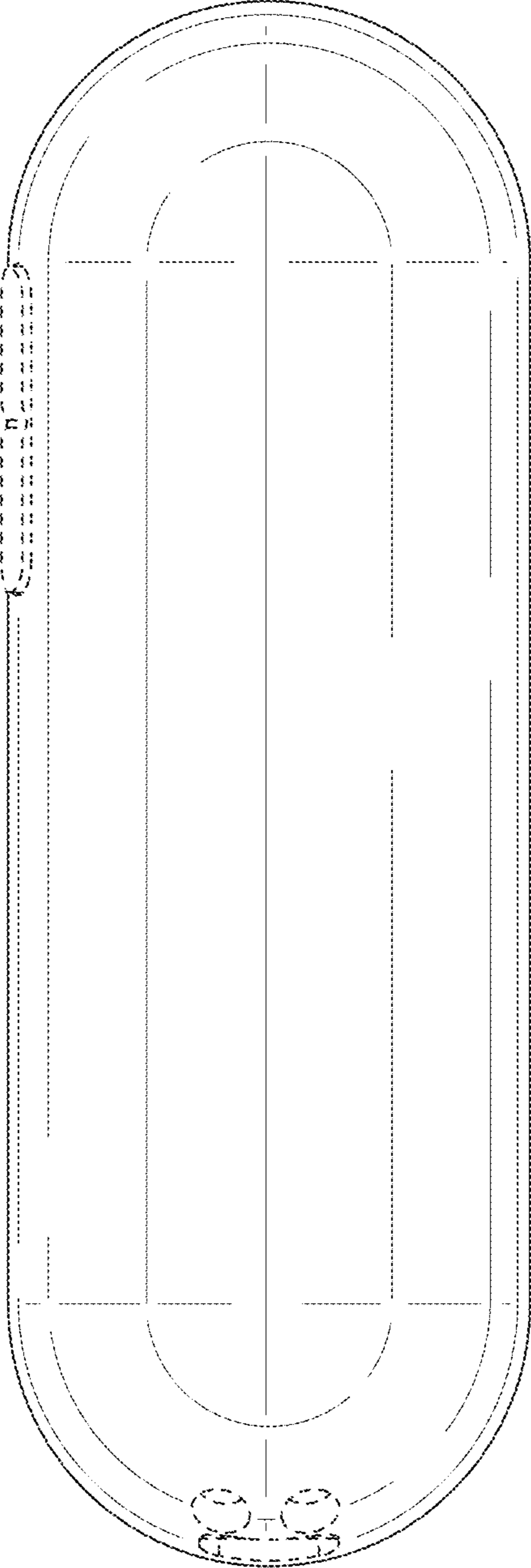


FIG. 3

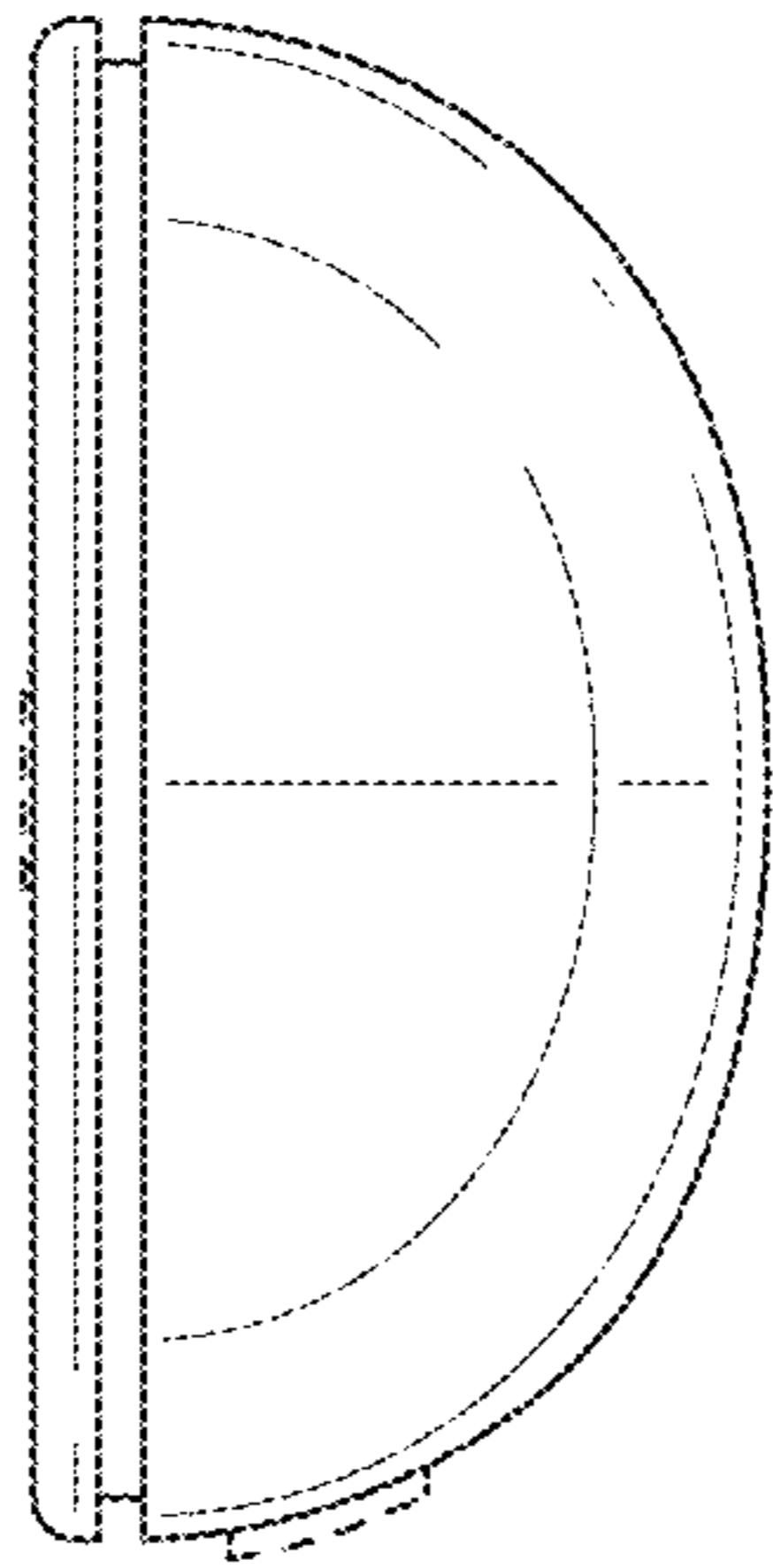


FIG. 4

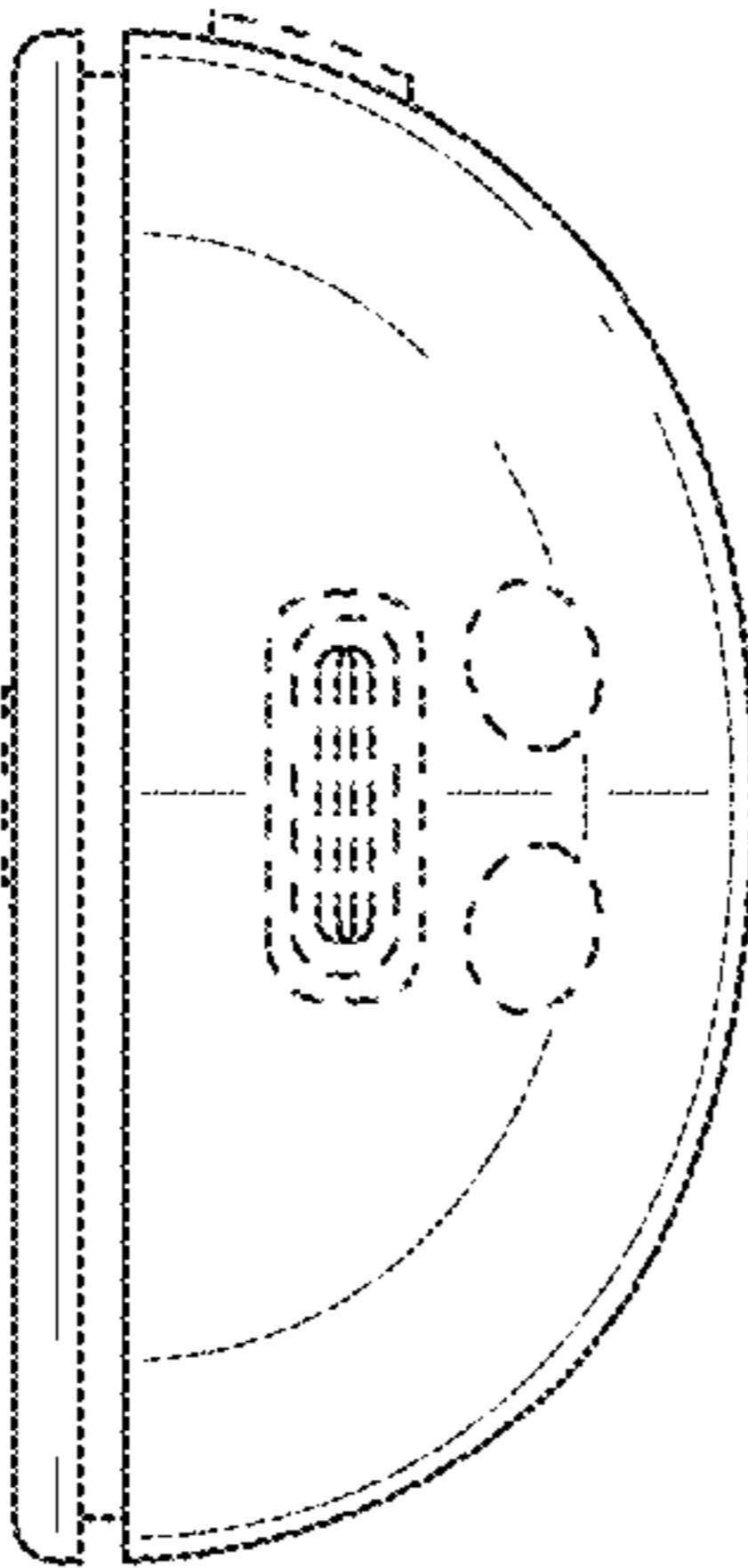


FIG. 5

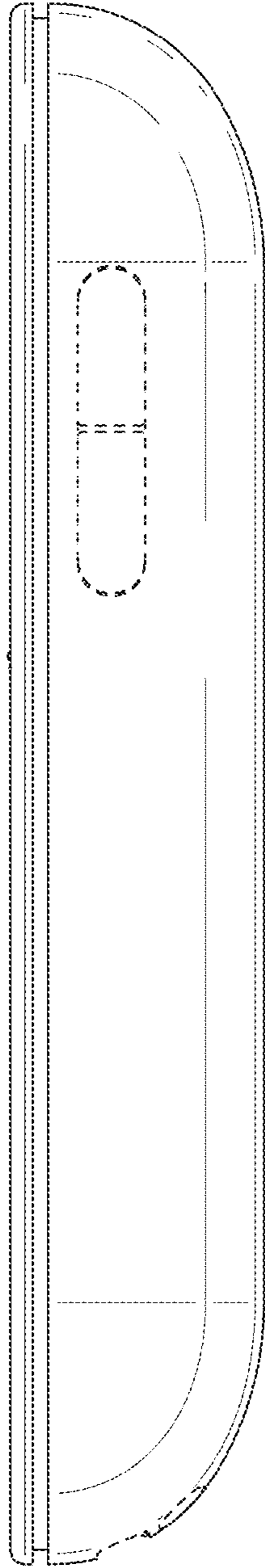


FIG. 6

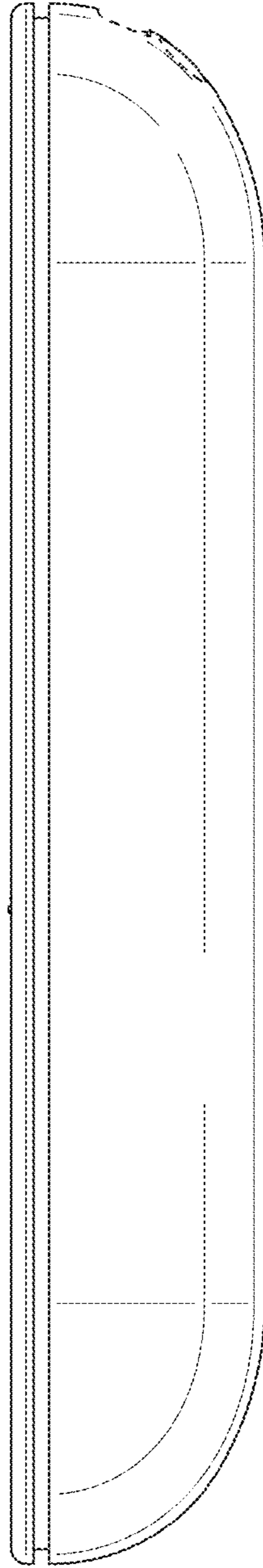


FIG. 7

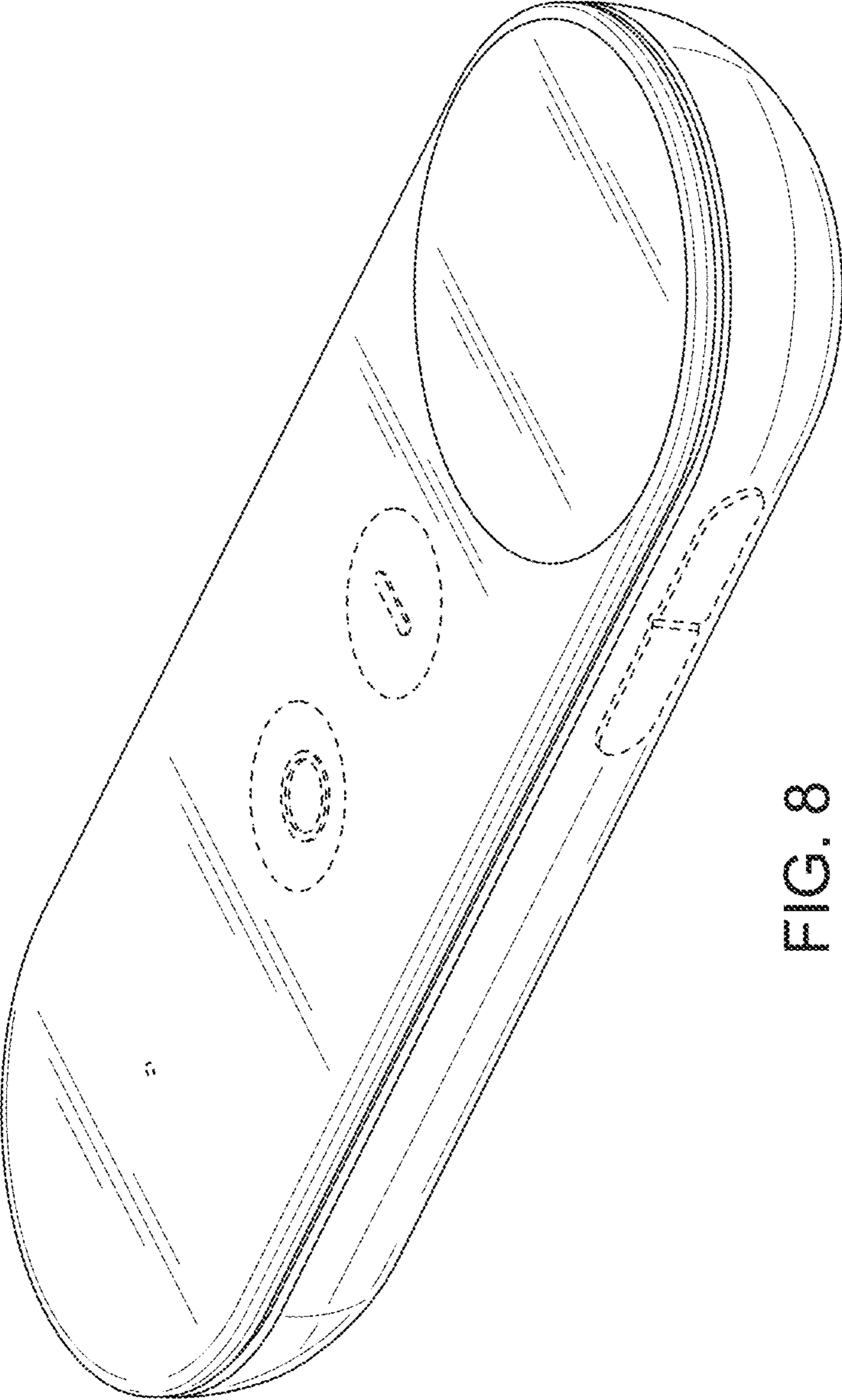


FIG. 8

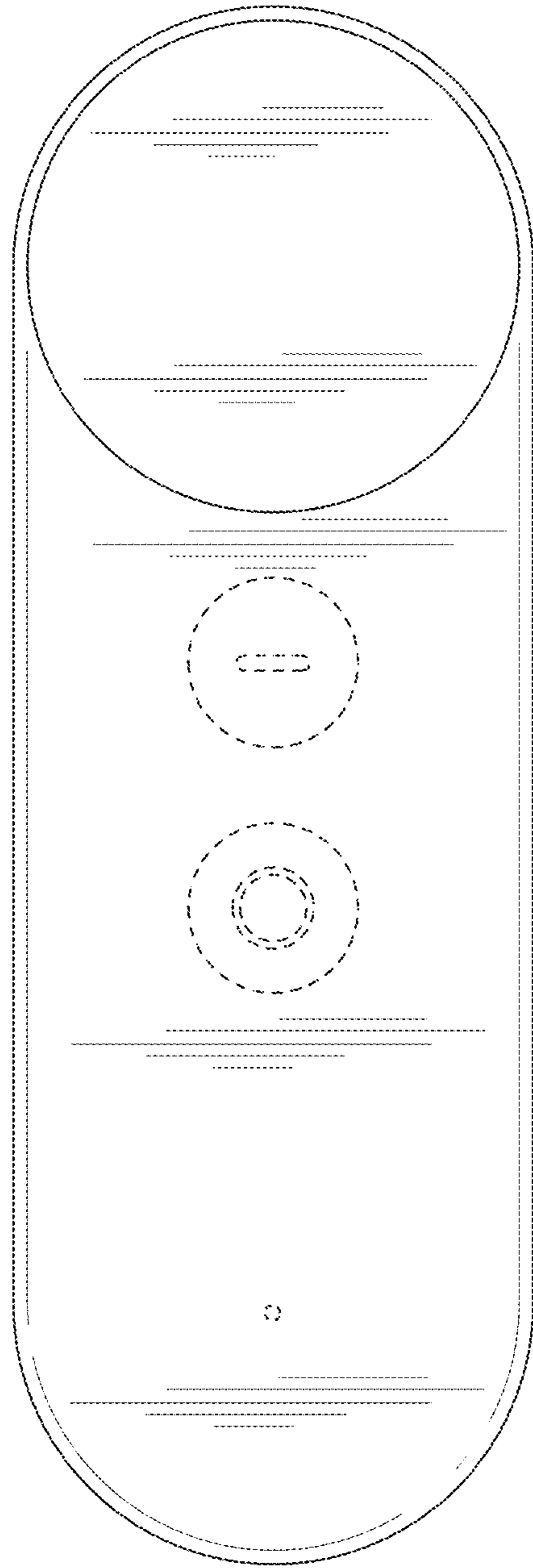


FIG. 9

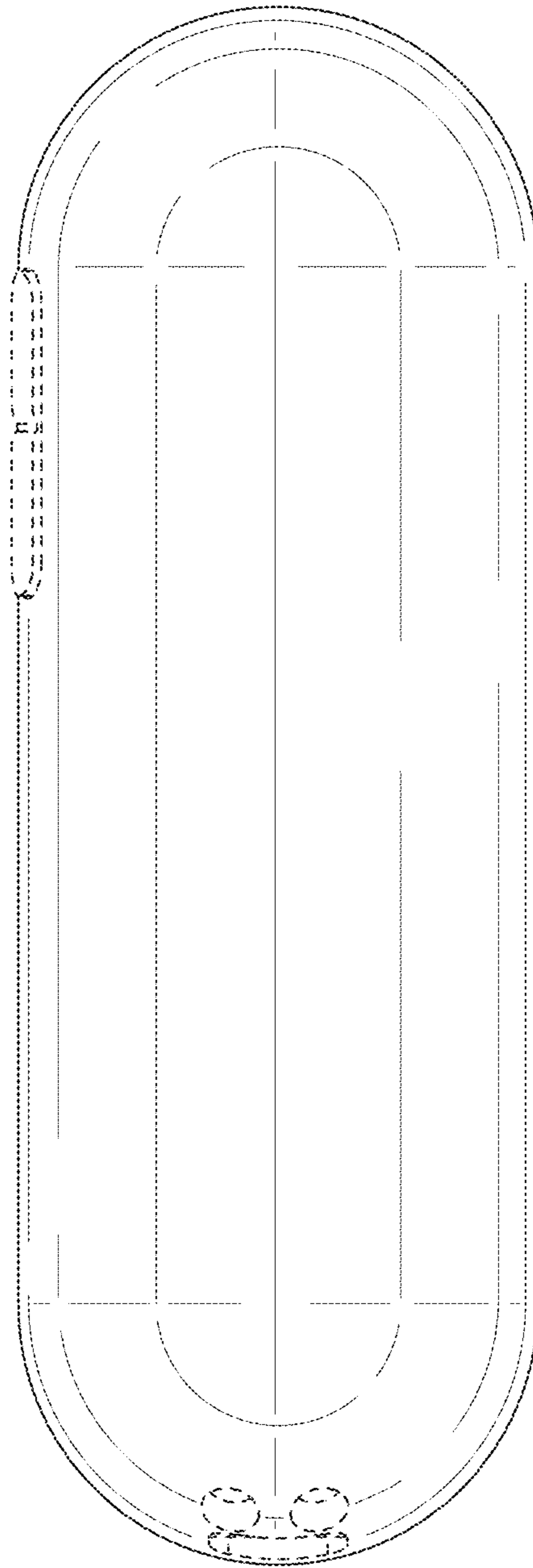


FIG. 10

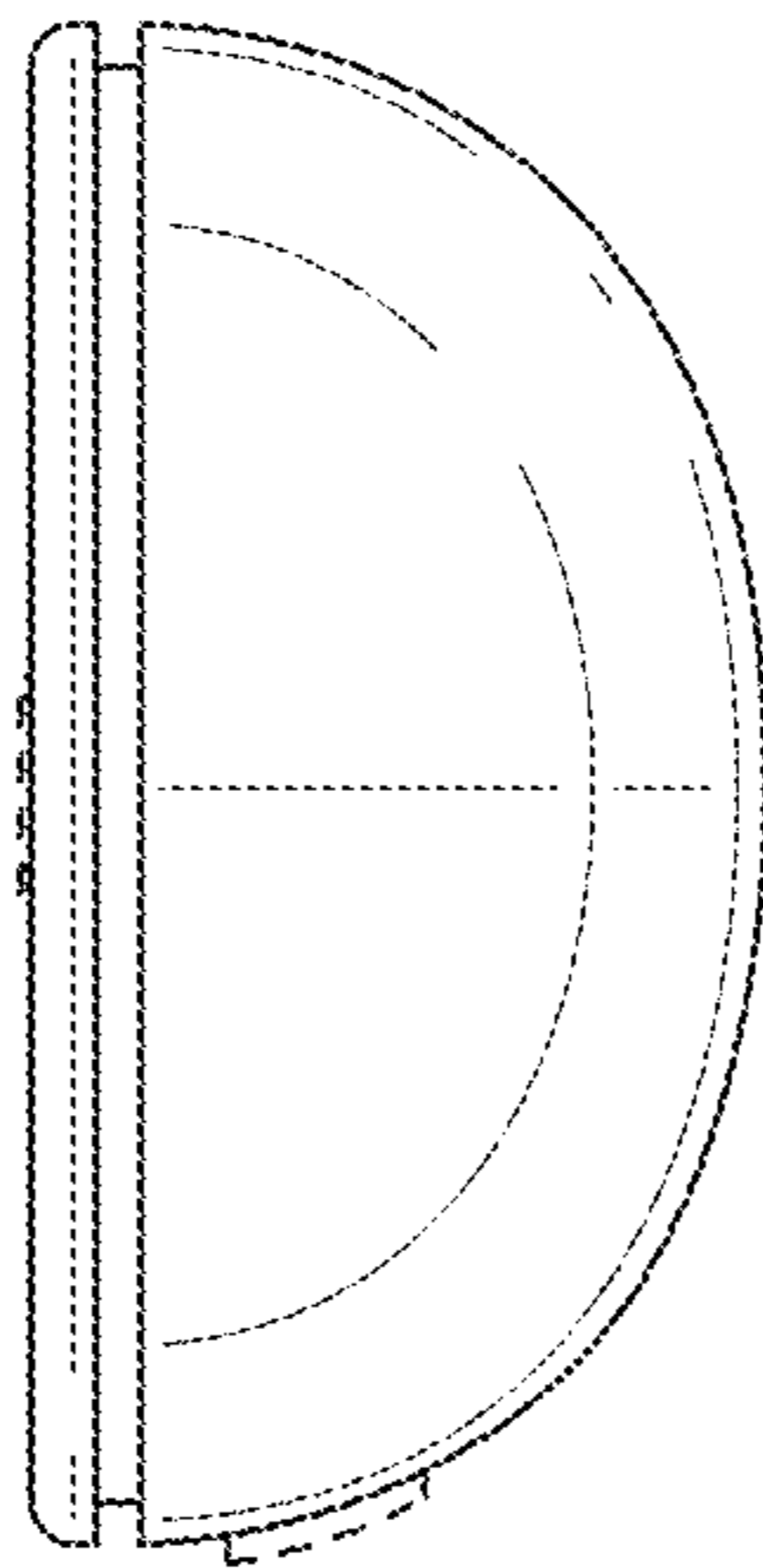


FIG. 11

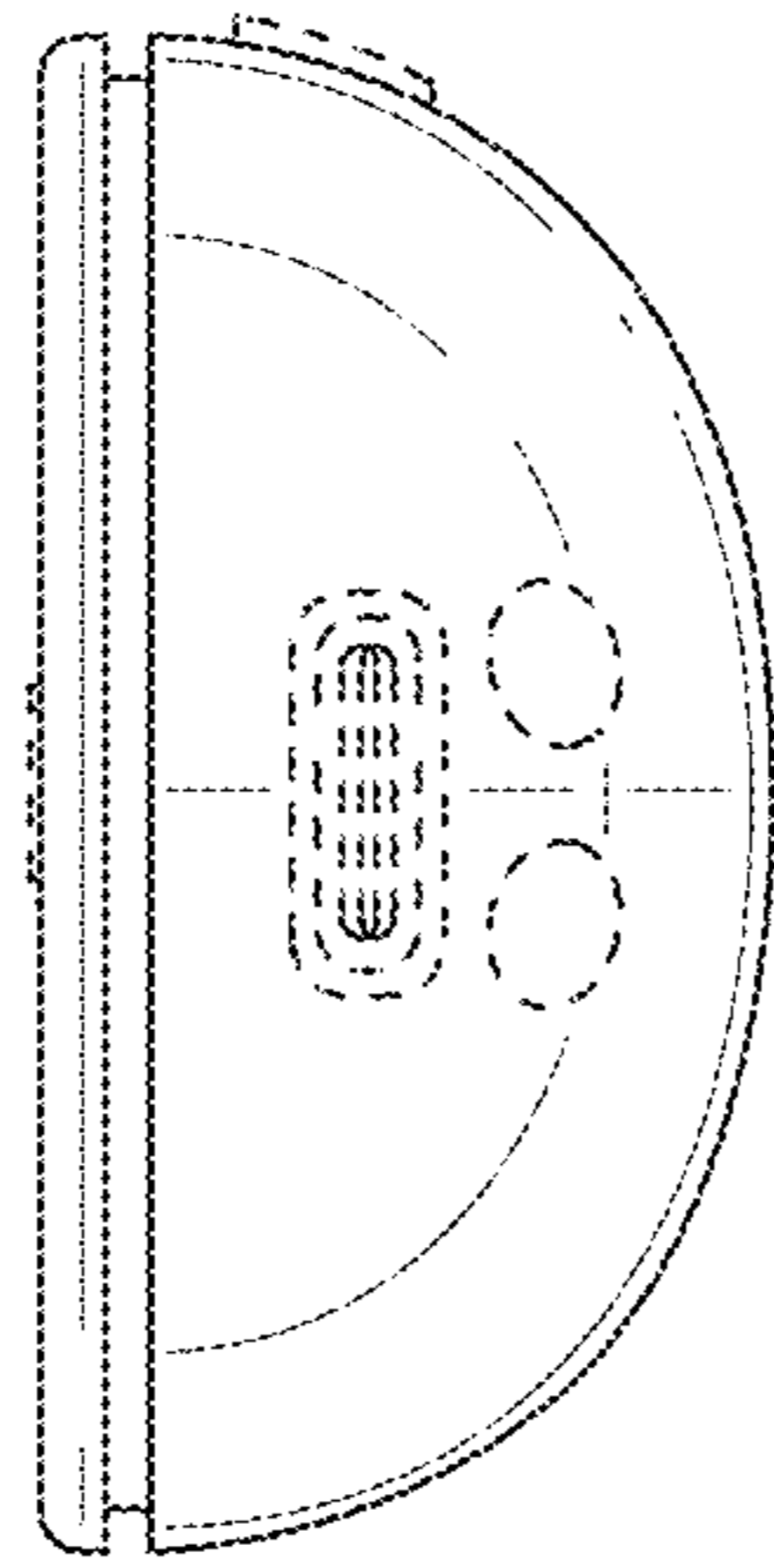


FIG. 12

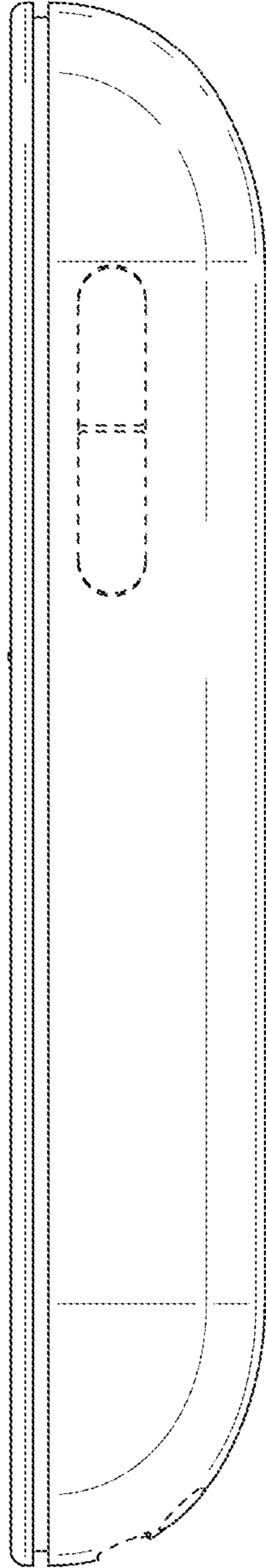


FIG. 13

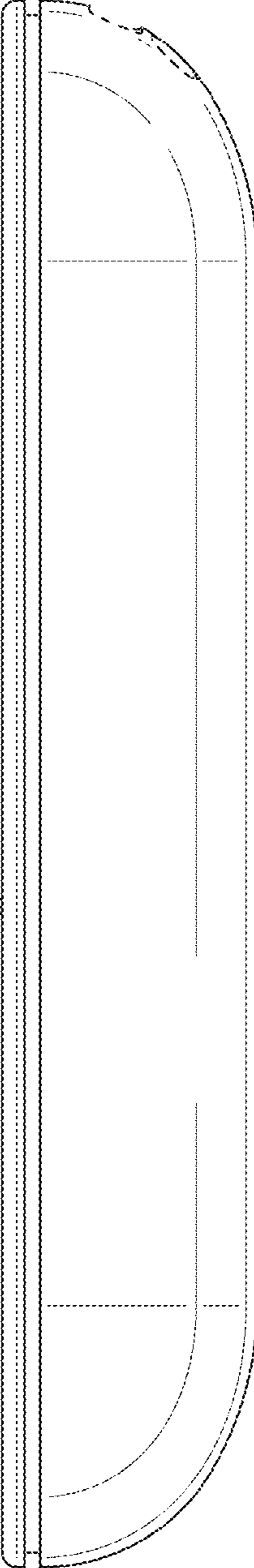


FIG. 14

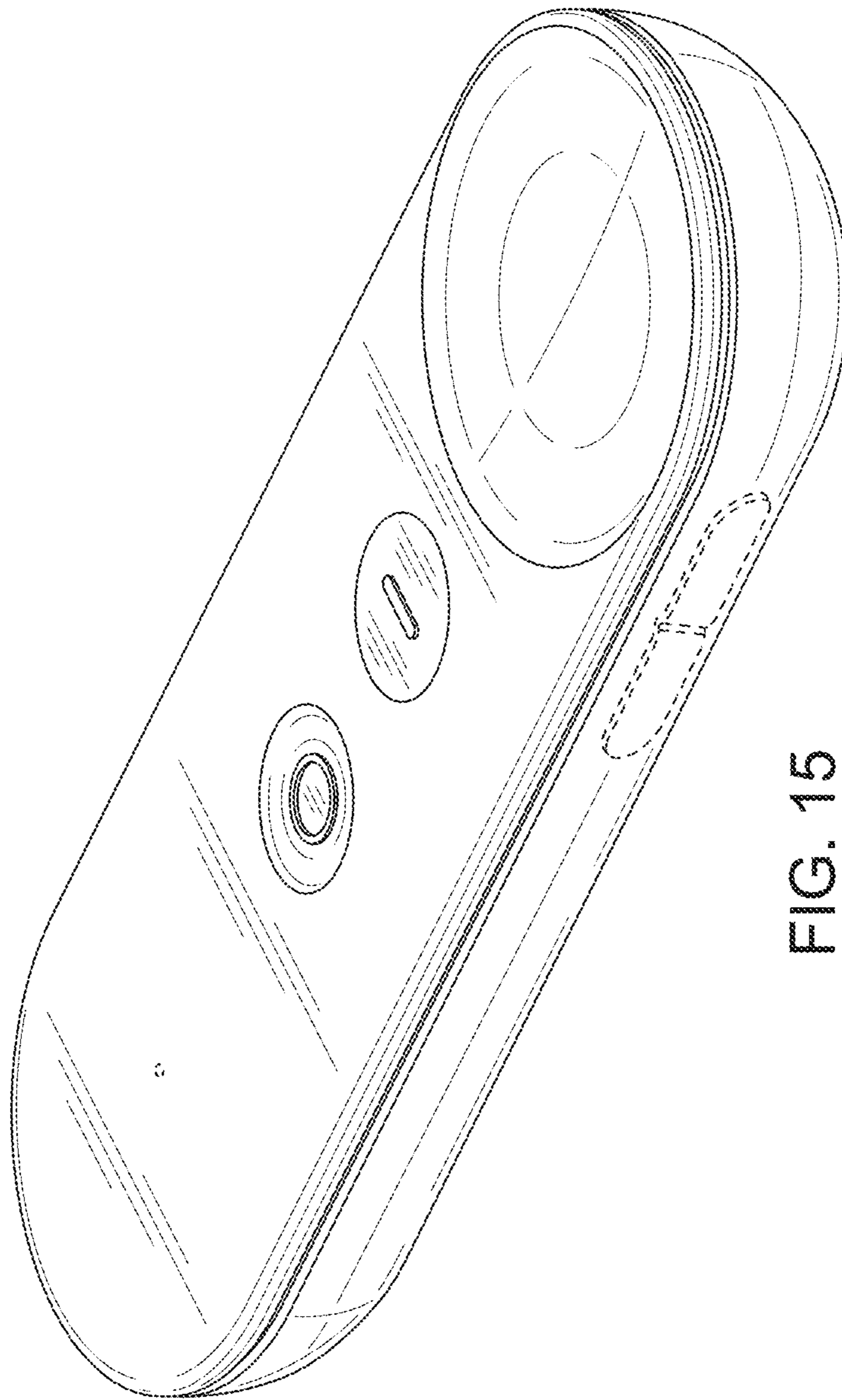


FIG. 15

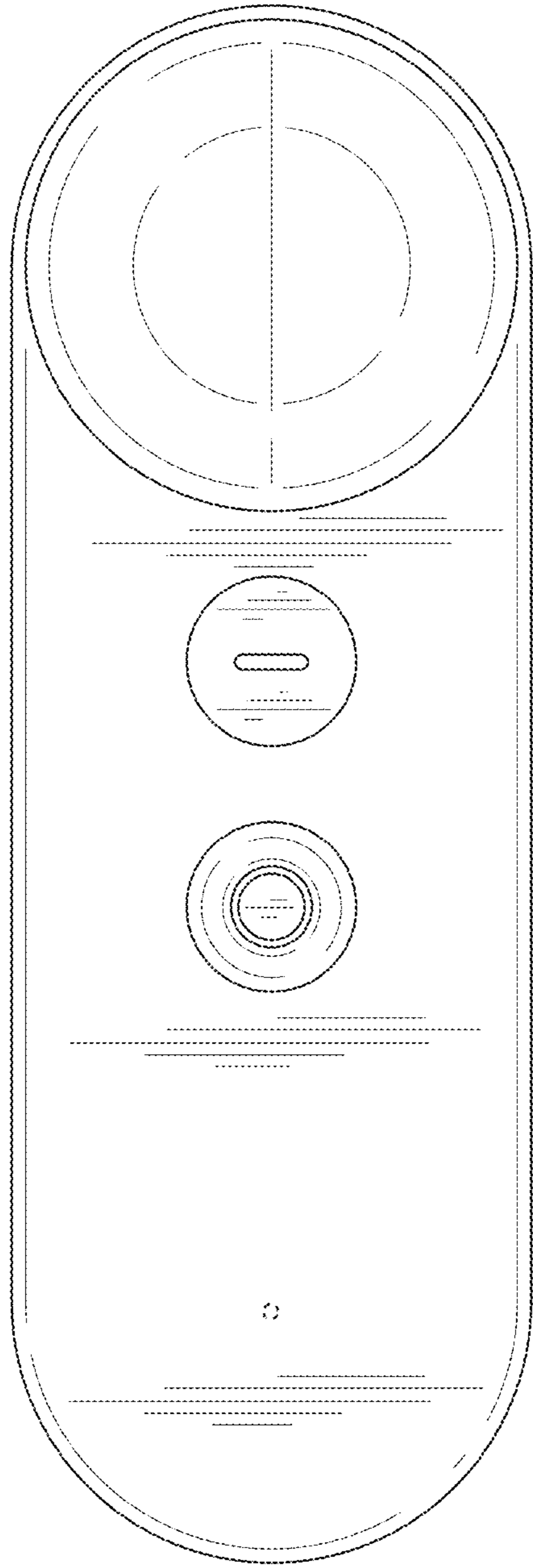


FIG. 16

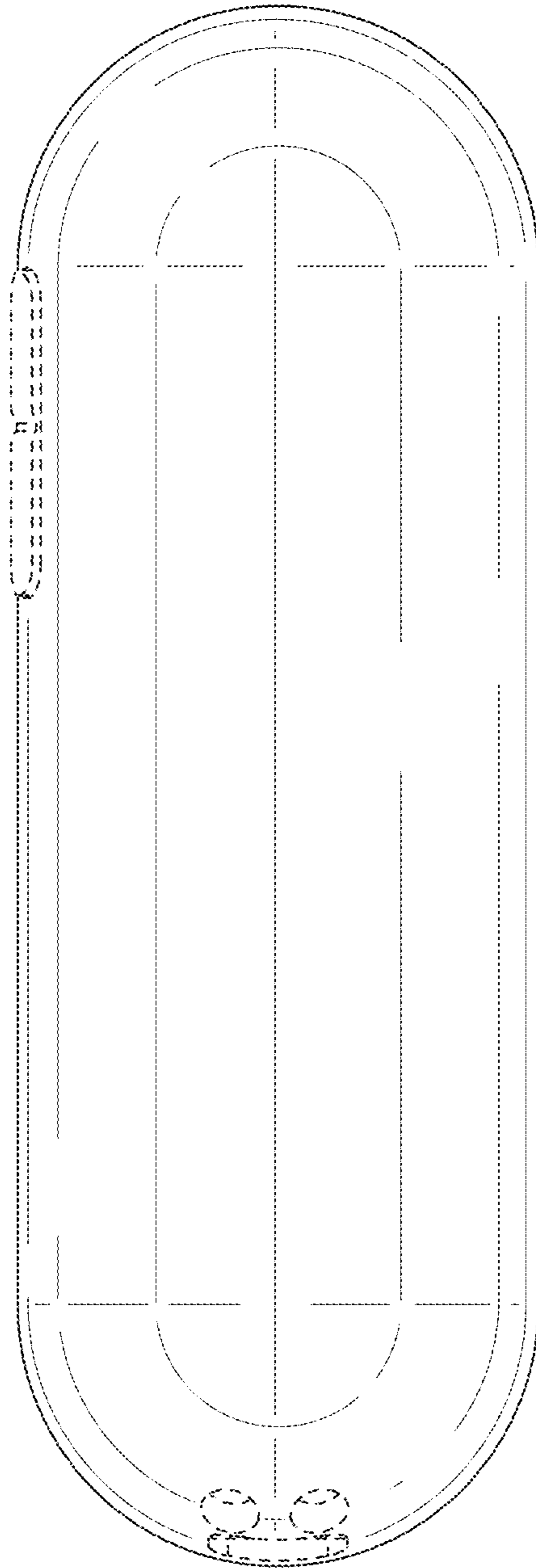


FIG. 17

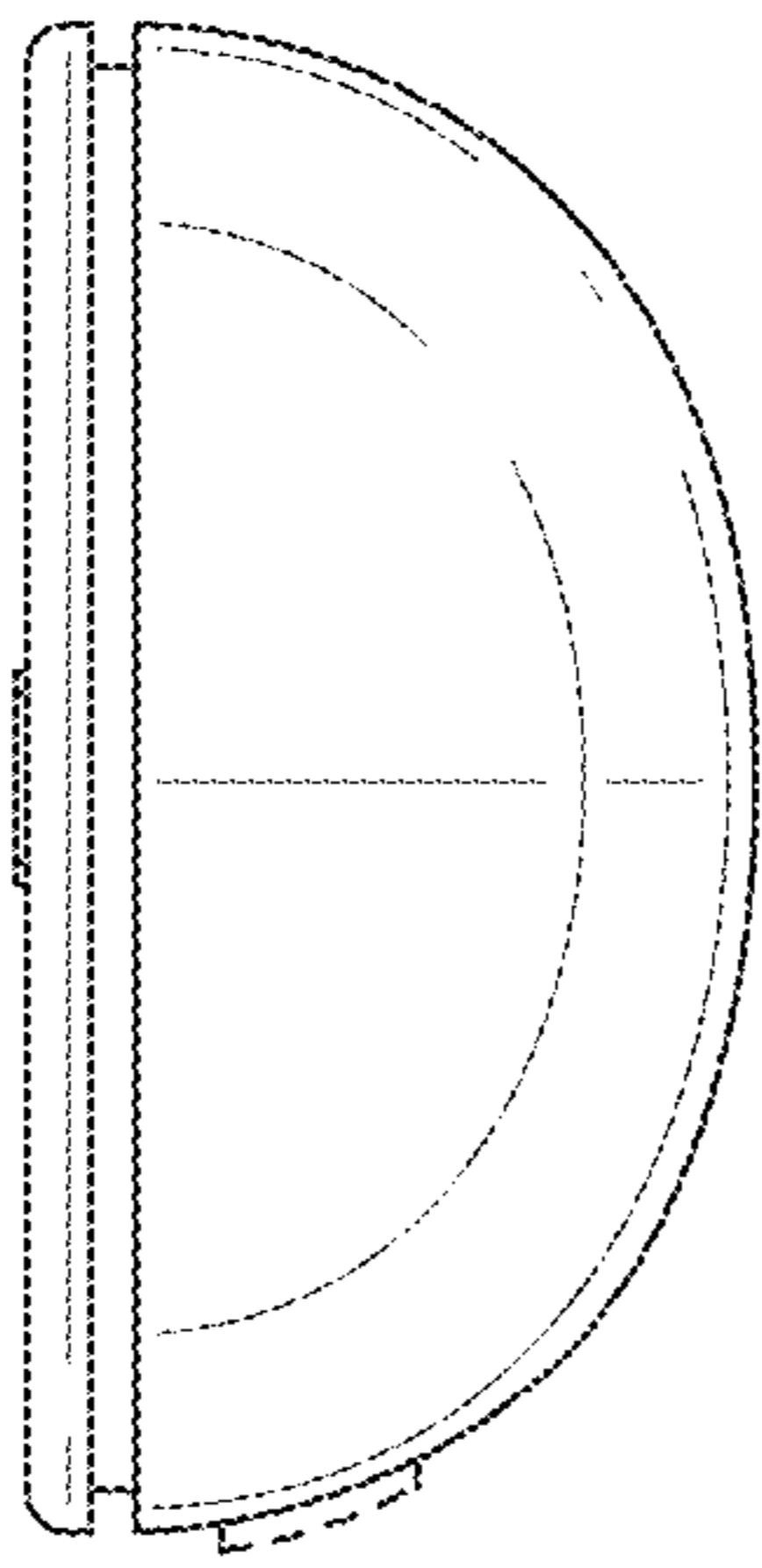


FIG. 18

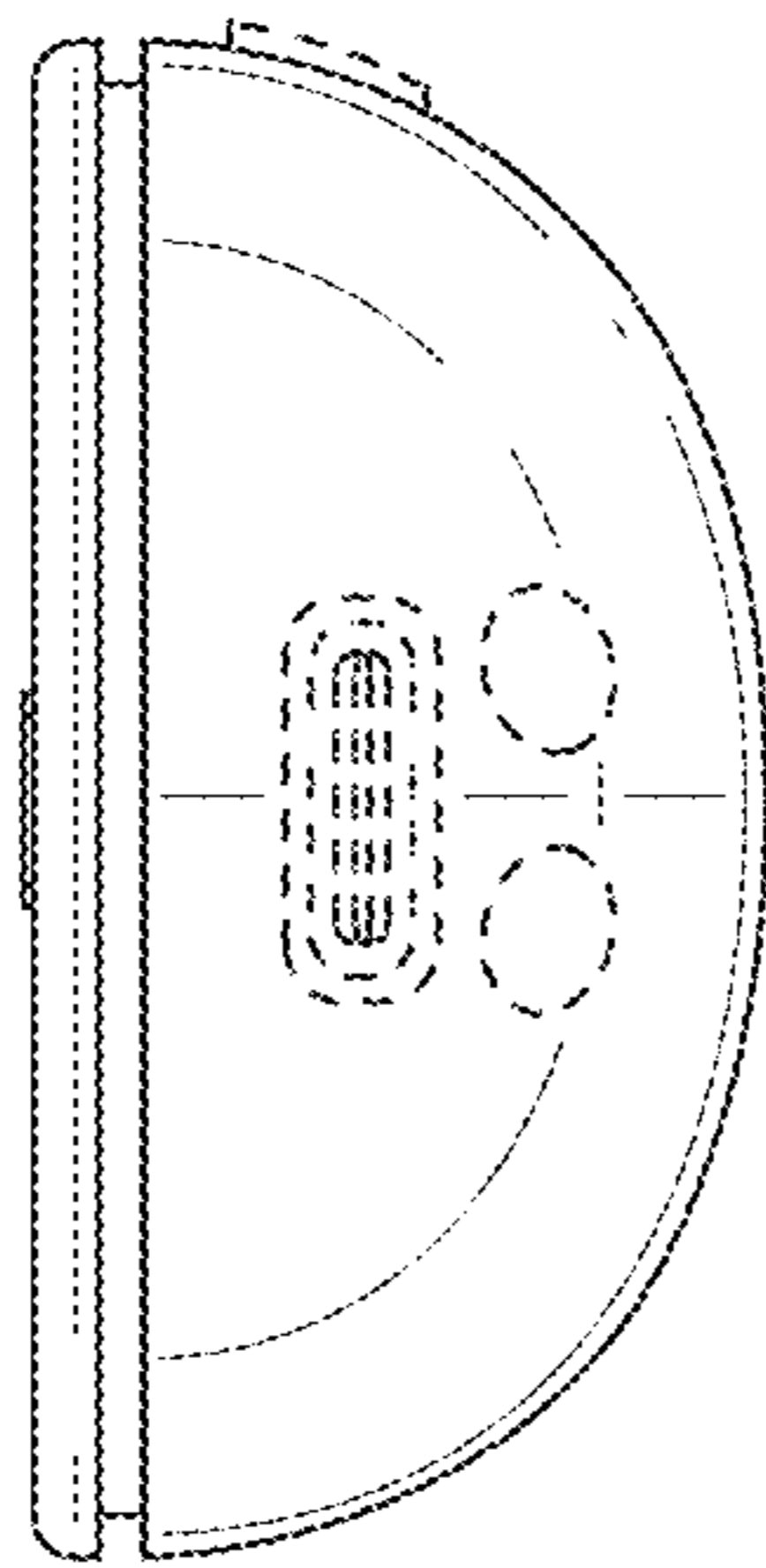


FIG. 19

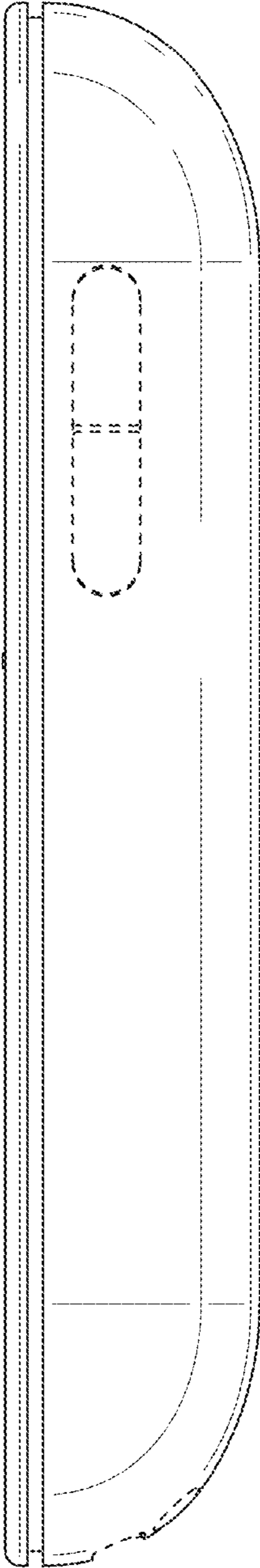


FIG. 20

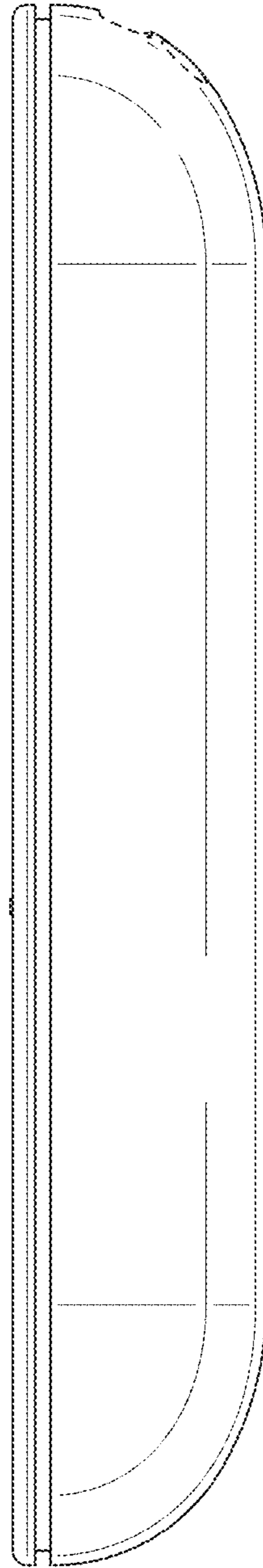


FIG. 21

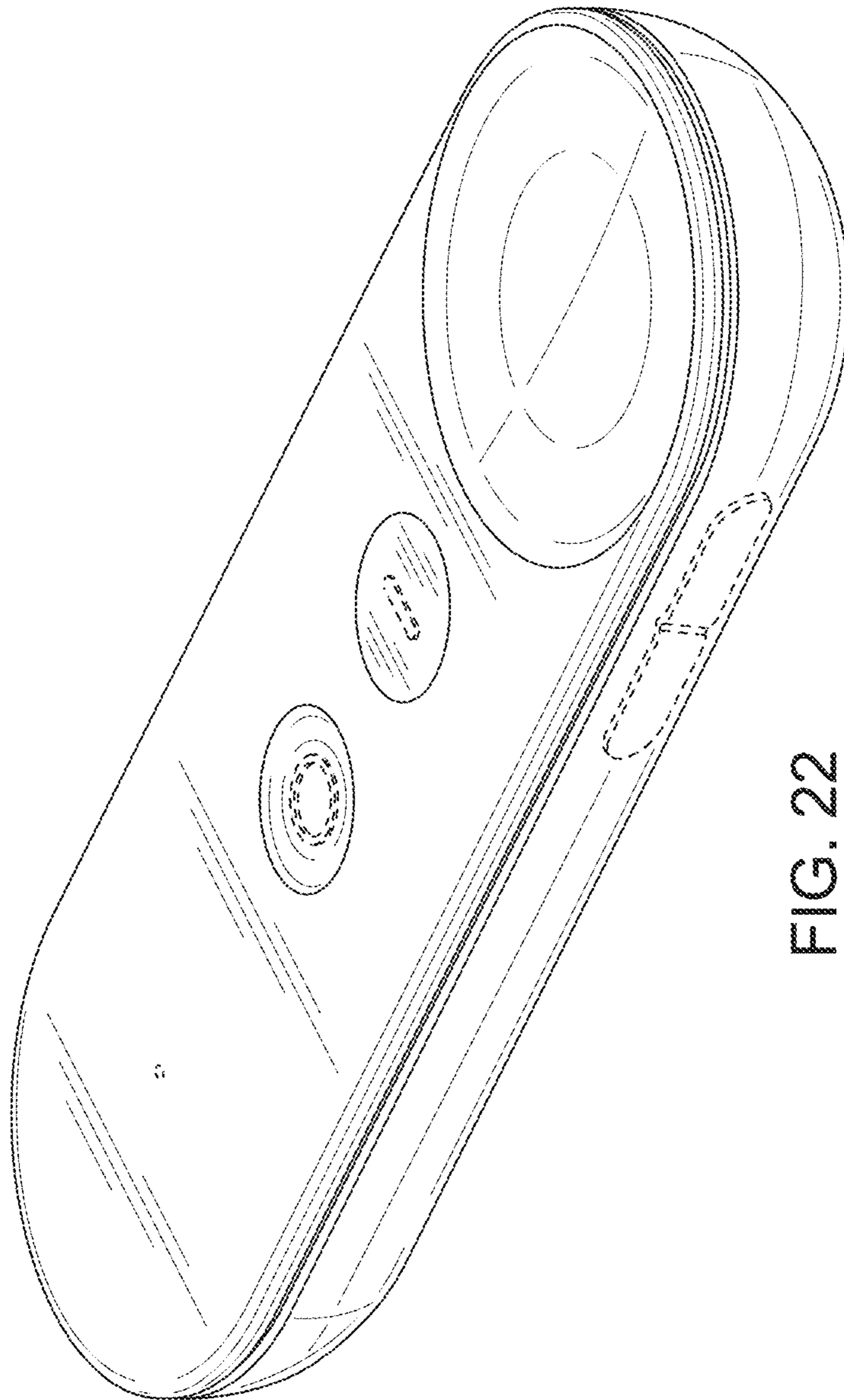


FIG. 22

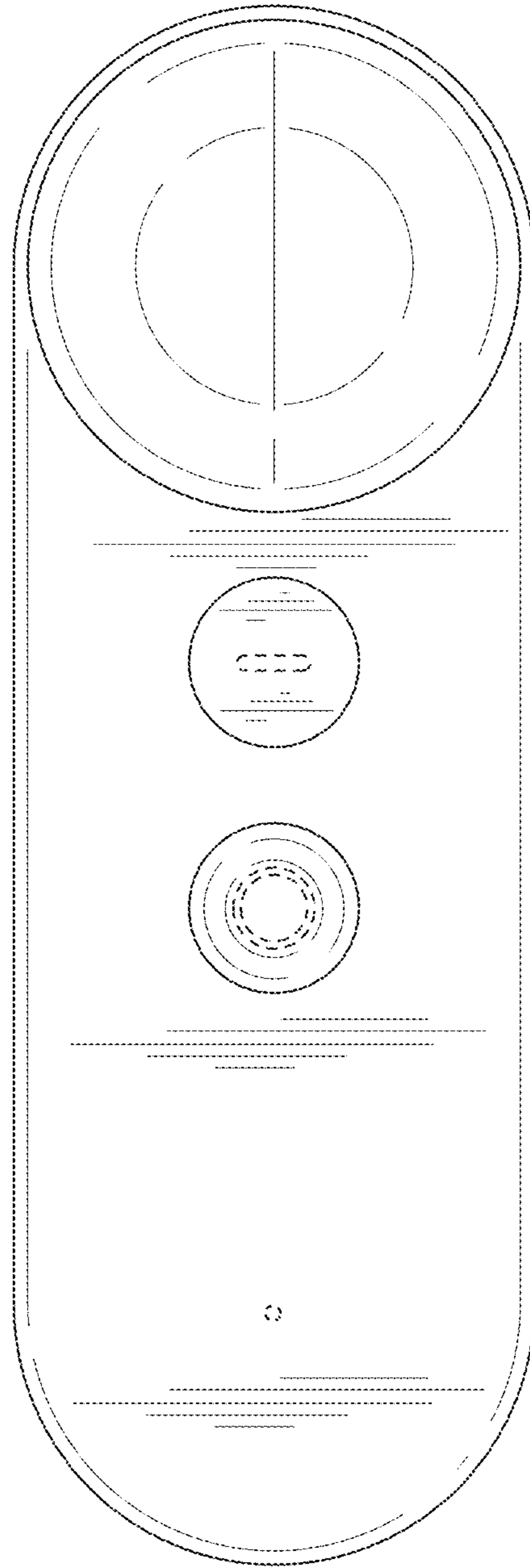


FIG. 23

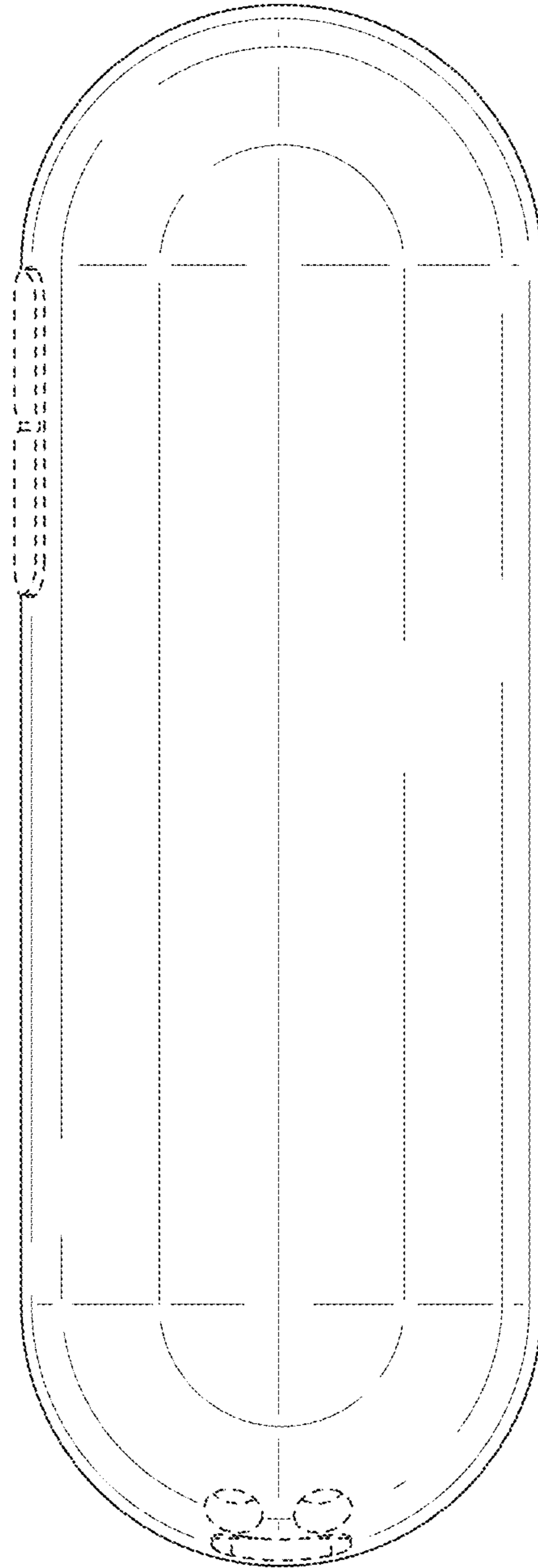


FIG. 24

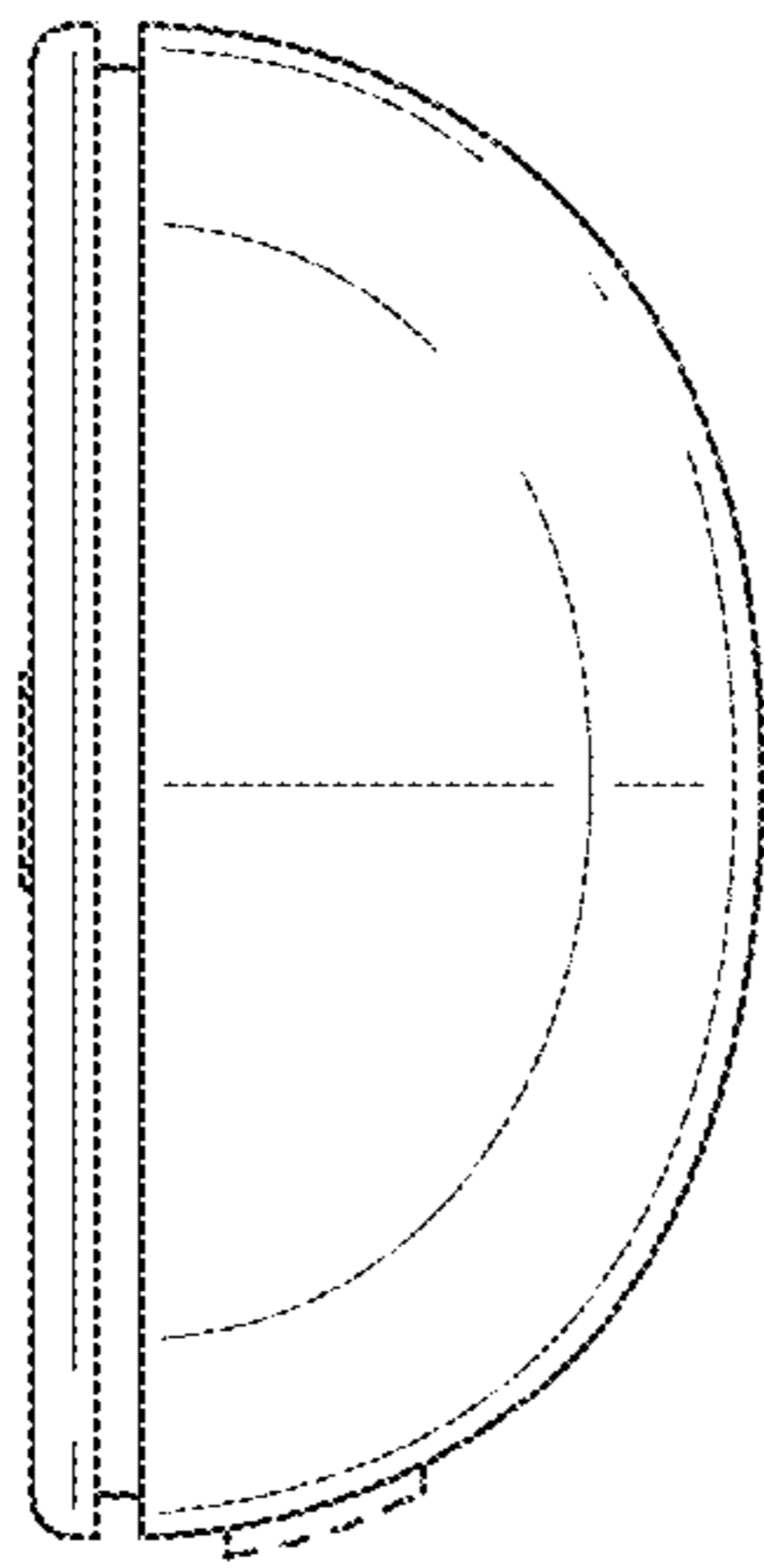


FIG. 25

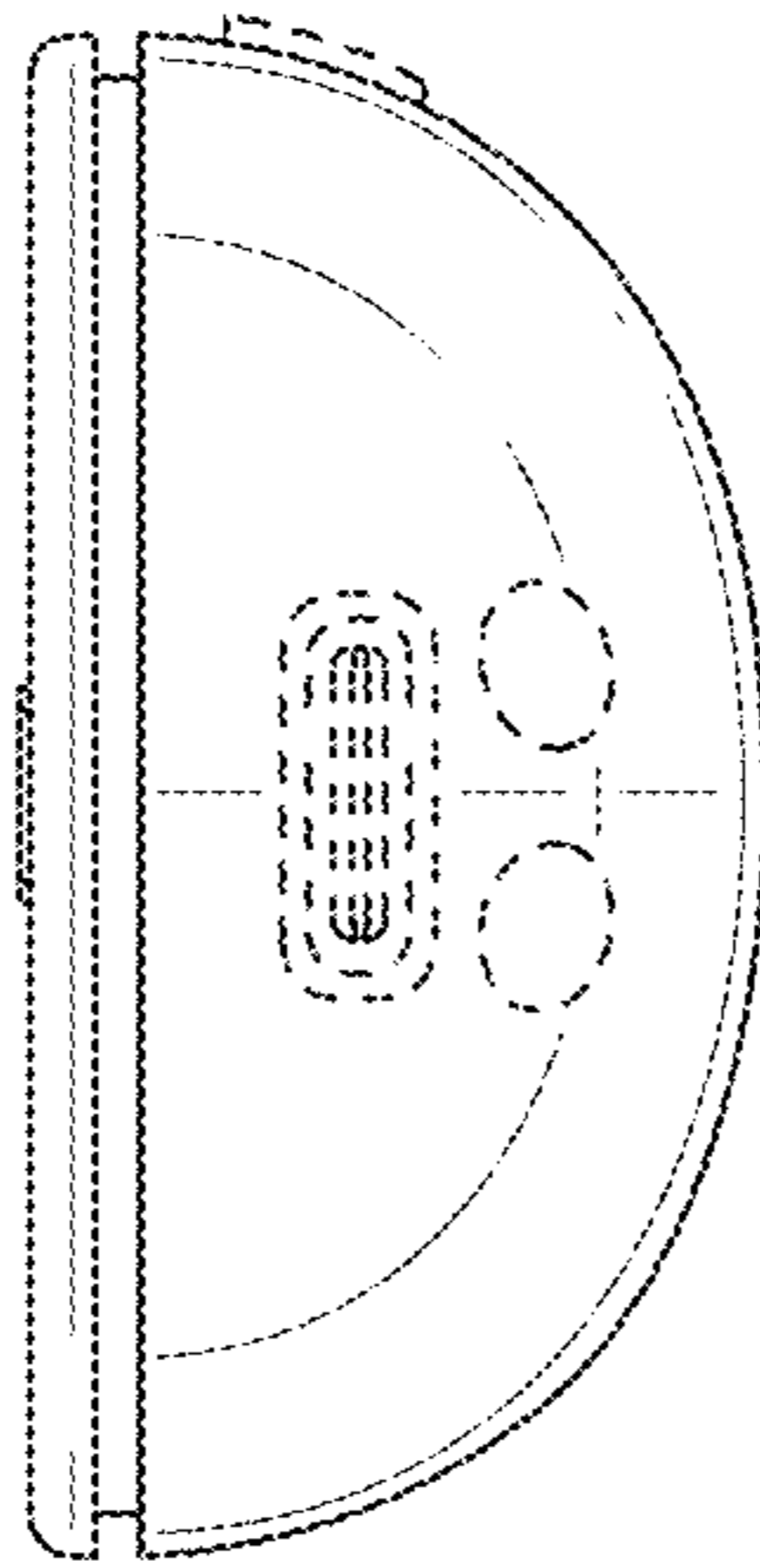


FIG. 26

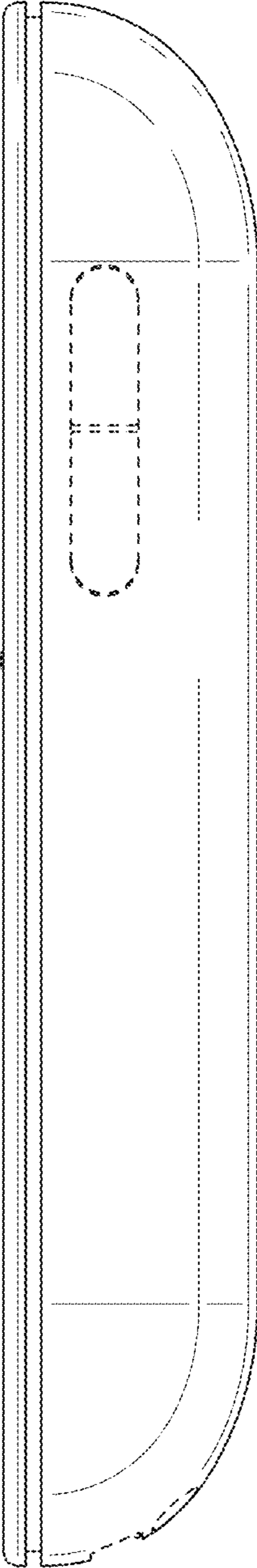


FIG. 27

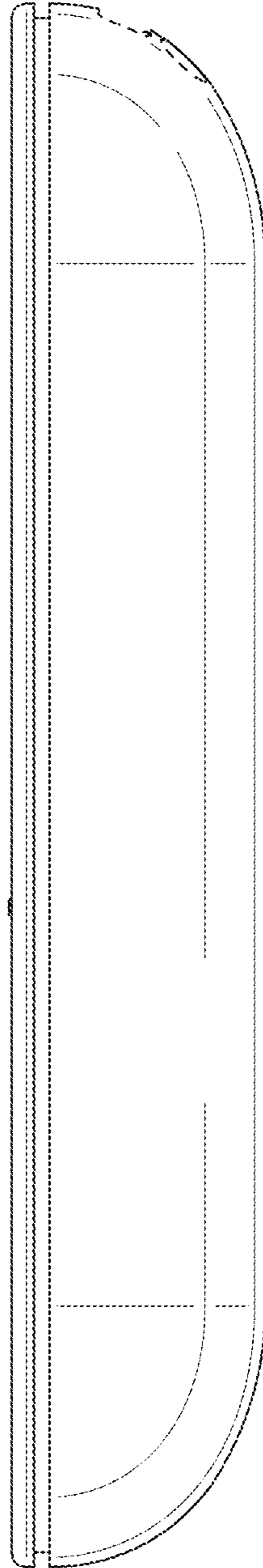


FIG. 28