



US00D776639S

(12) **United States Design Patent**  
**Carbone**

(10) **Patent No.:** **US D776,639 S**

(45) **Date of Patent:** **\*\* Jan. 17, 2017**

(54) **SATELLITE SPEAKER**

H04R 2499/11; H04R 2499/13; H04R 2499/15; H04S 3/00; H04S 7/30

(71) Applicant: **Bose Corporation**, Framingham, MA (US)

See application file for complete search history.

(72) Inventor: **Richard J. Carbone**, Sterling, MA (US)

(56) **References Cited**

(73) Assignee: **Bose Corporation**, Framingham, MA (US)

U.S. PATENT DOCUMENTS

(\*\*) Term: **15 Years**

(21) Appl. No.: **29/554,998**

(22) Filed: **Feb. 17, 2016**

3,143,182 A *	8/1964	Sears .....	H04R 1/2811 181/153
D449,590 S *	10/2001	Lewis .....	D14/188
D508,041 S *	8/2005	Carbone et al.	
D560,655 S *	1/2008	Carbone .....	D14/211
D568,293 S *	5/2008	Sawhney .....	D14/214
D584,286 S *	1/2009	Kim .....	D14/214
D603,368 S *	11/2009	Jang .....	D14/194
D659,119 S *	5/2012	Brunner .....	D14/209.1
D660,285 S *	5/2012	Lee .....	D14/214
D672,748 S *	12/2012	Burlingame, III .....	D14/214
D718,276 S *	11/2014	Yamamoto .....	D14/214

**Related U.S. Application Data**

\* cited by examiner

(62) Division of application No. 29/504,045, filed on Oct. 1, 2014, now Pat. No. Des. 758,342.

*Primary Examiner* — Keli L Hill

(51) **LOC (10) Cl.** ..... **14-03**

(74) *Attorney, Agent, or Firm* — Bose Corporation

(52) **U.S. Cl.**  
USPC ..... **D14/214**

(57) **CLAIM**

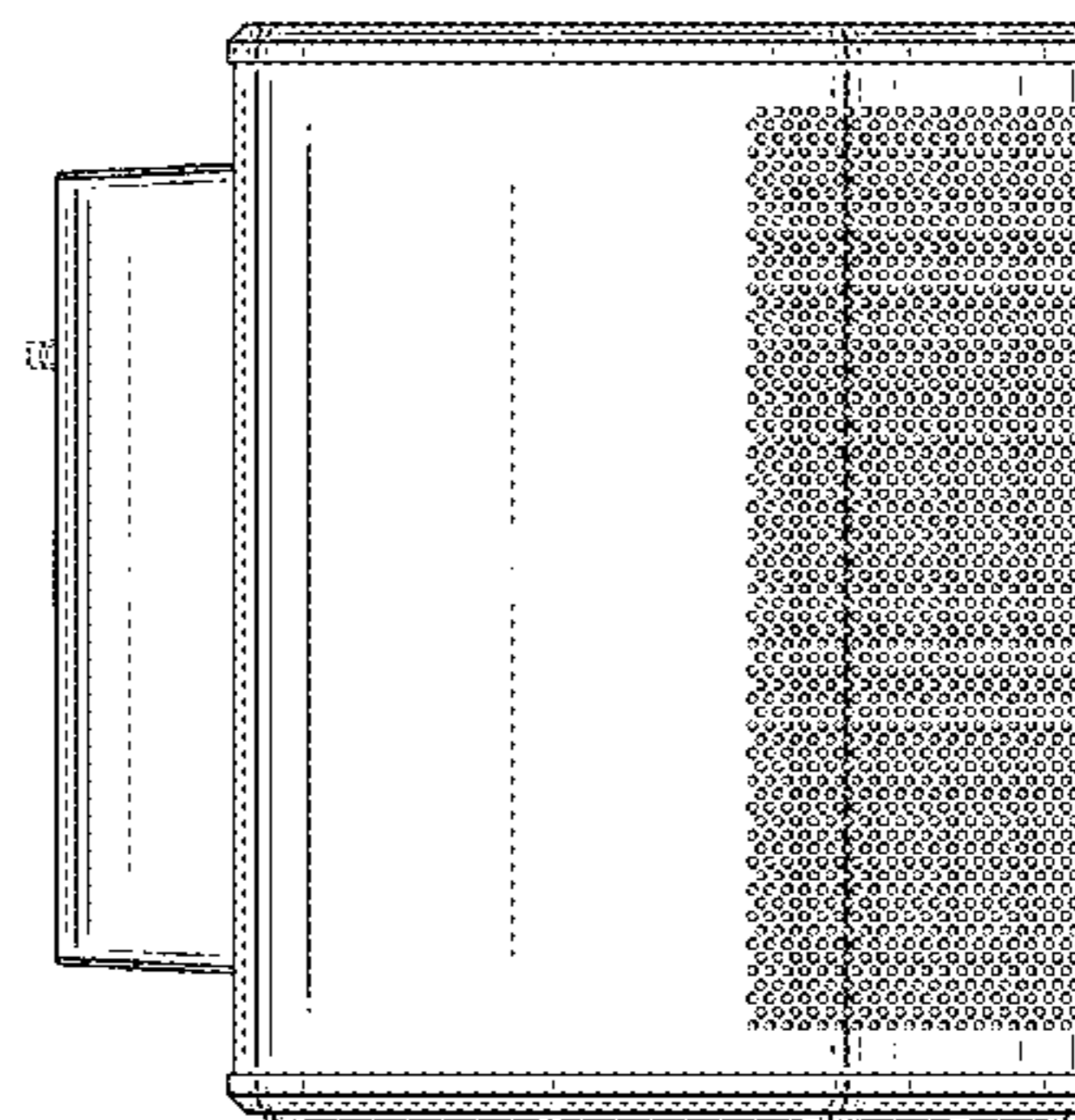
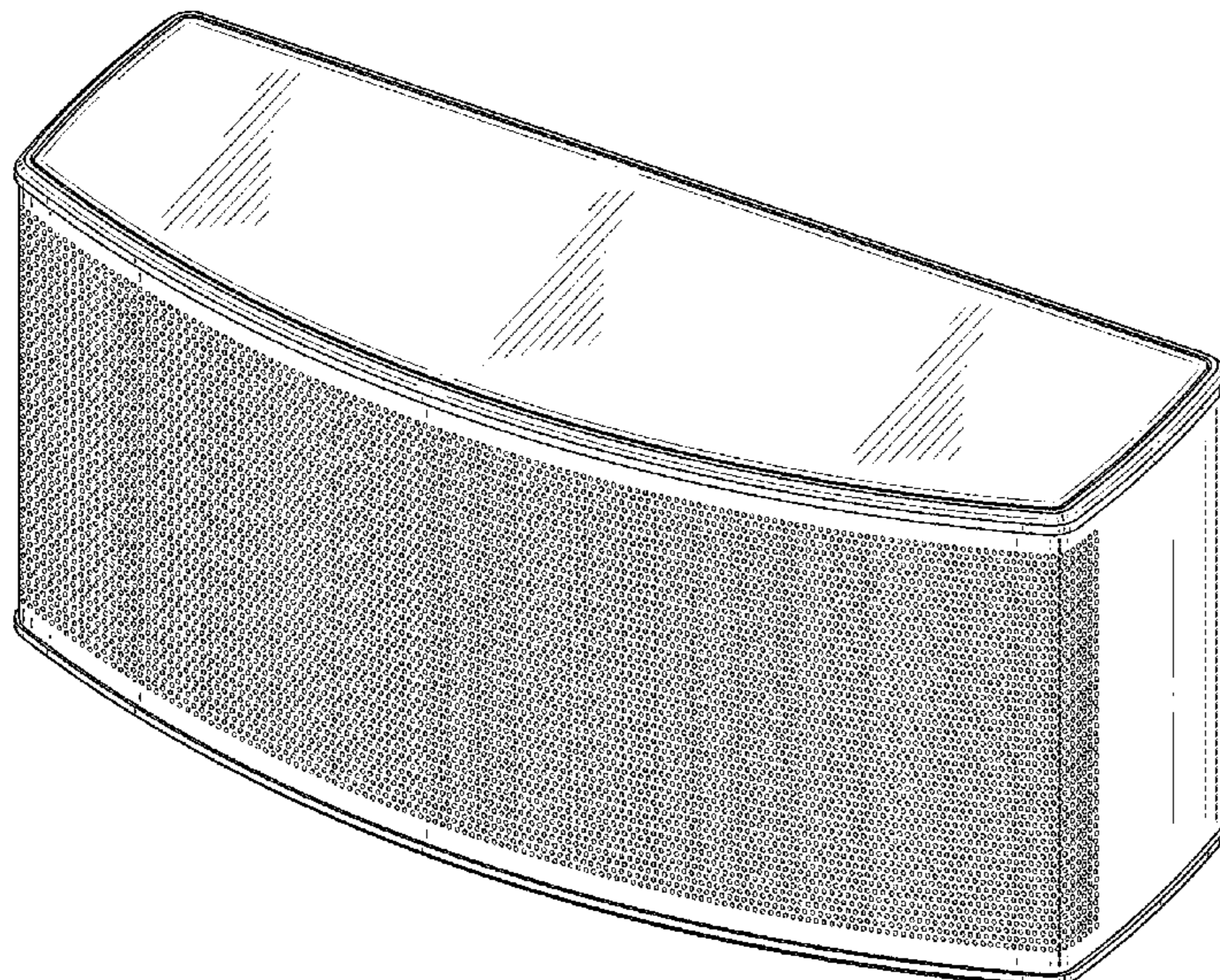
The ornamental design for a satellite speaker, substantially as shown and described.

(58) **Field of Classification Search**  
USPC ..... D14/167, 168, 170–172, 188, 194–196, D14/204, 207, 209.1, 210–216, 219, 221, D14/222, 224, 496; 181/143, 144, 147, 181/148, 150, 153, 157, 198, 199; 381/300–303, 306, 332, 333, 336, 345, 381/361–364, 386–388; 369/6–12  
CPC ..... B60R 11/0217; G06F 1/1688; H04M 1/03; H04M 1/035; H04R 1/02; H04R 1/06; H04R 1/021; H04R 1/025; H04R 1/026; H04R 1/028; H04R 1/105; H04R 1/323; H04R 1/403; H04R 1/2803; H04R 1/2834; H04R 5/02; H04R 7/20; H04R 9/06; H04R 9/025; H04R 2201/021; H04R 2400/00; H04R 2201/07;

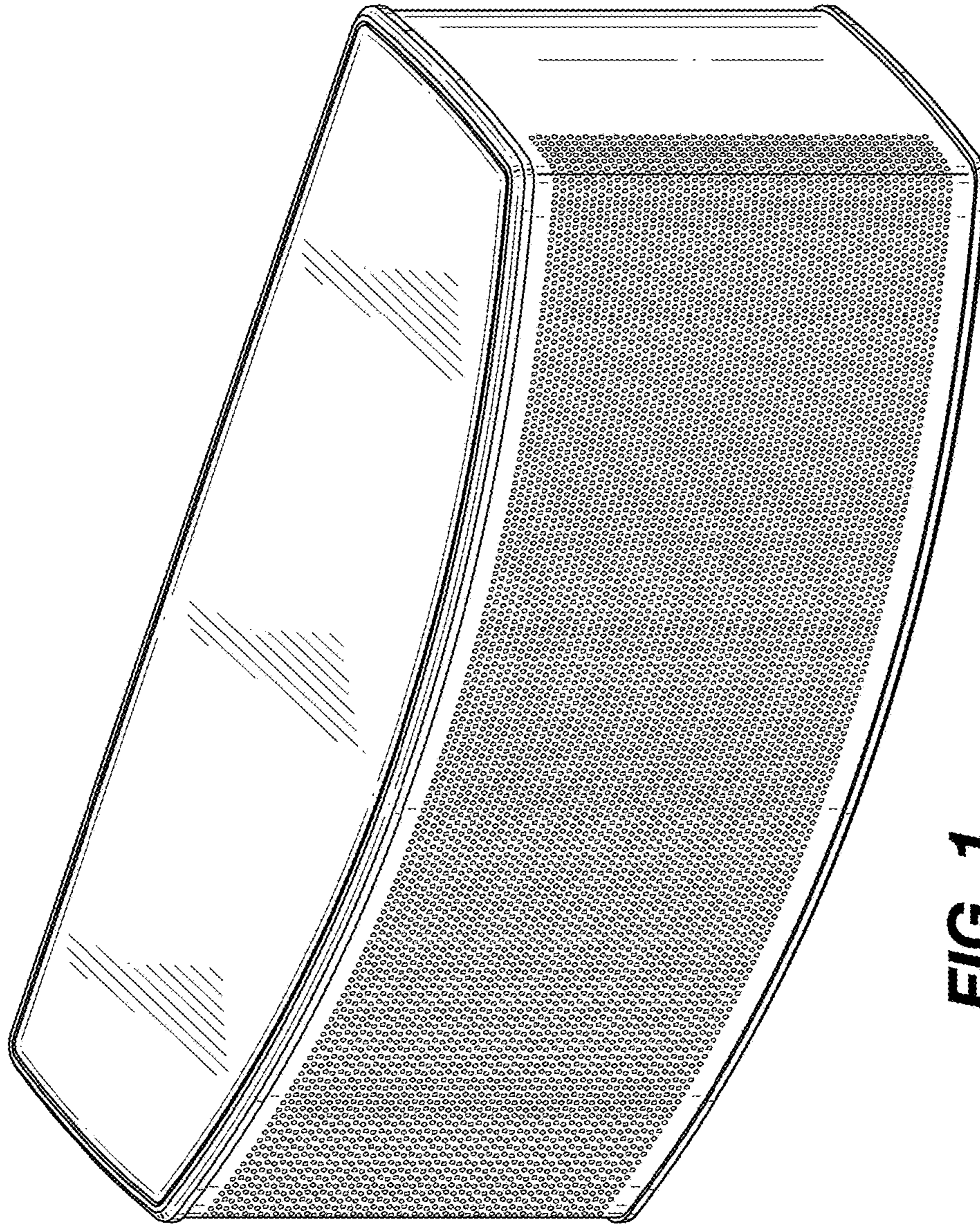
**DESCRIPTION**

FIG. 1 is a perspective view of a first embodiment of a satellite speaker as seen from the front, top and side; FIG. 2 is a top view thereof; FIG. 3 is a front view thereof; FIG. 4 is a bottom view thereof; FIG. 5 is a back view thereof; FIG. 6 is an opposite side view thereof; and, FIG. 7 is a side view thereof.  
The dotted line portions of the drawings represent environmental structure only and form no part of the claimed design.

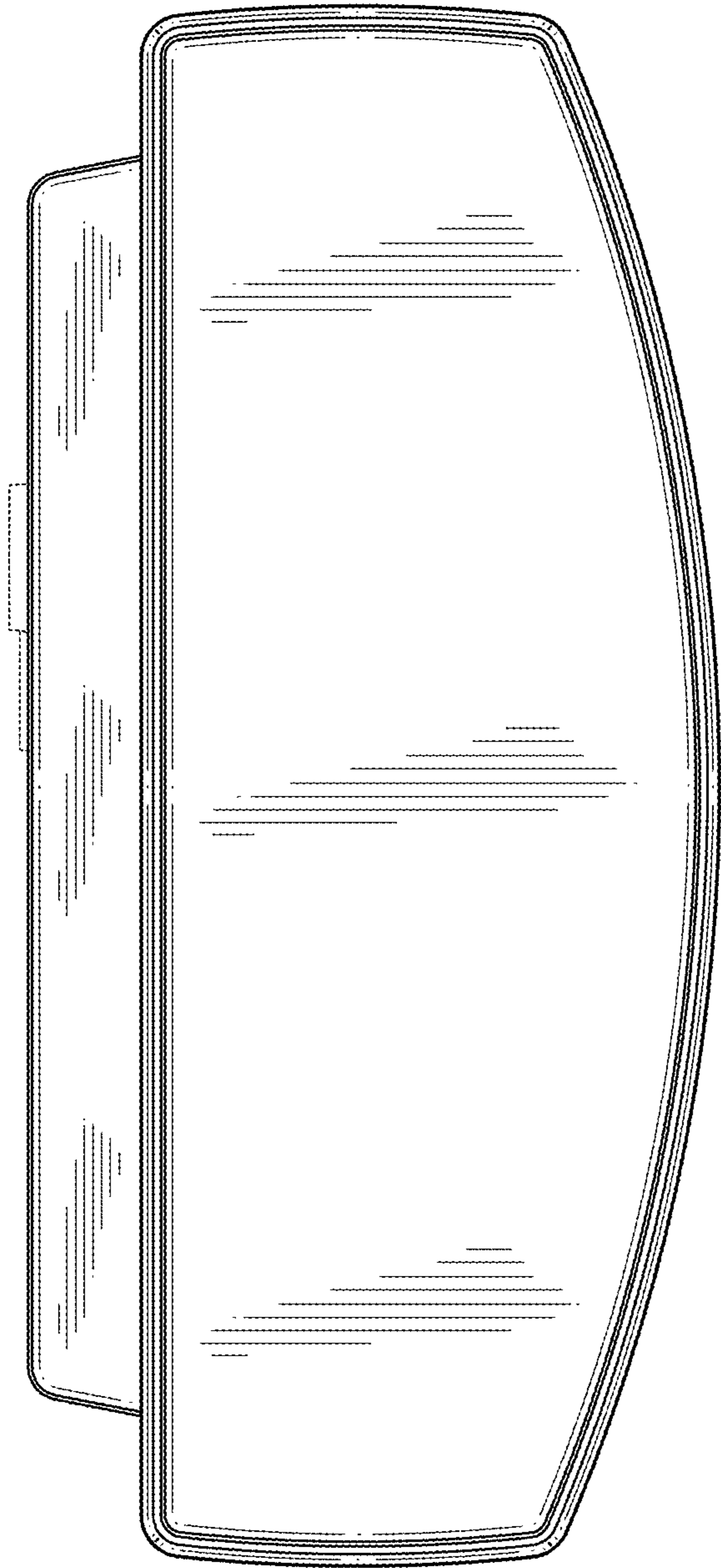
**1 Claim, 6 Drawing Sheets**





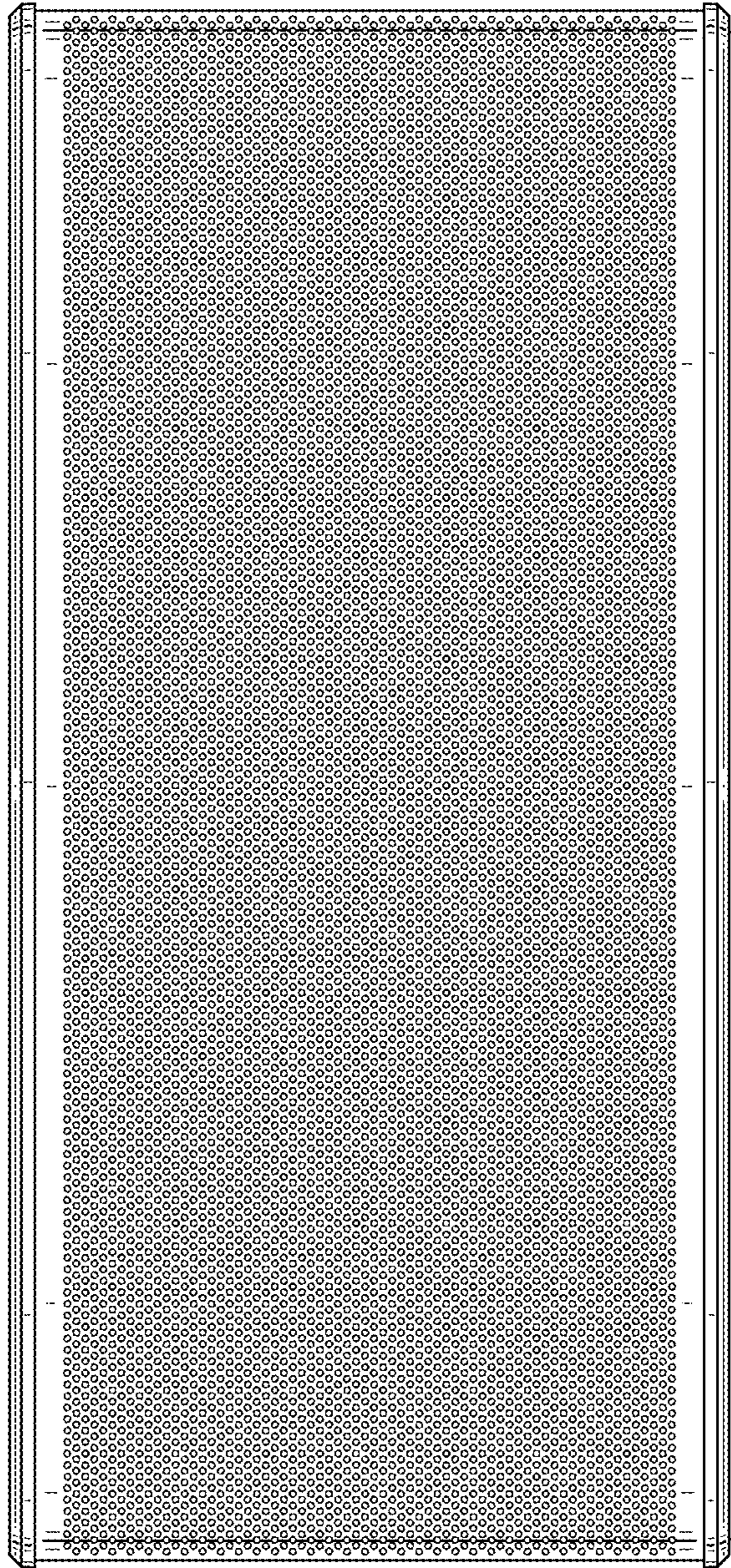


**FIG. 1**

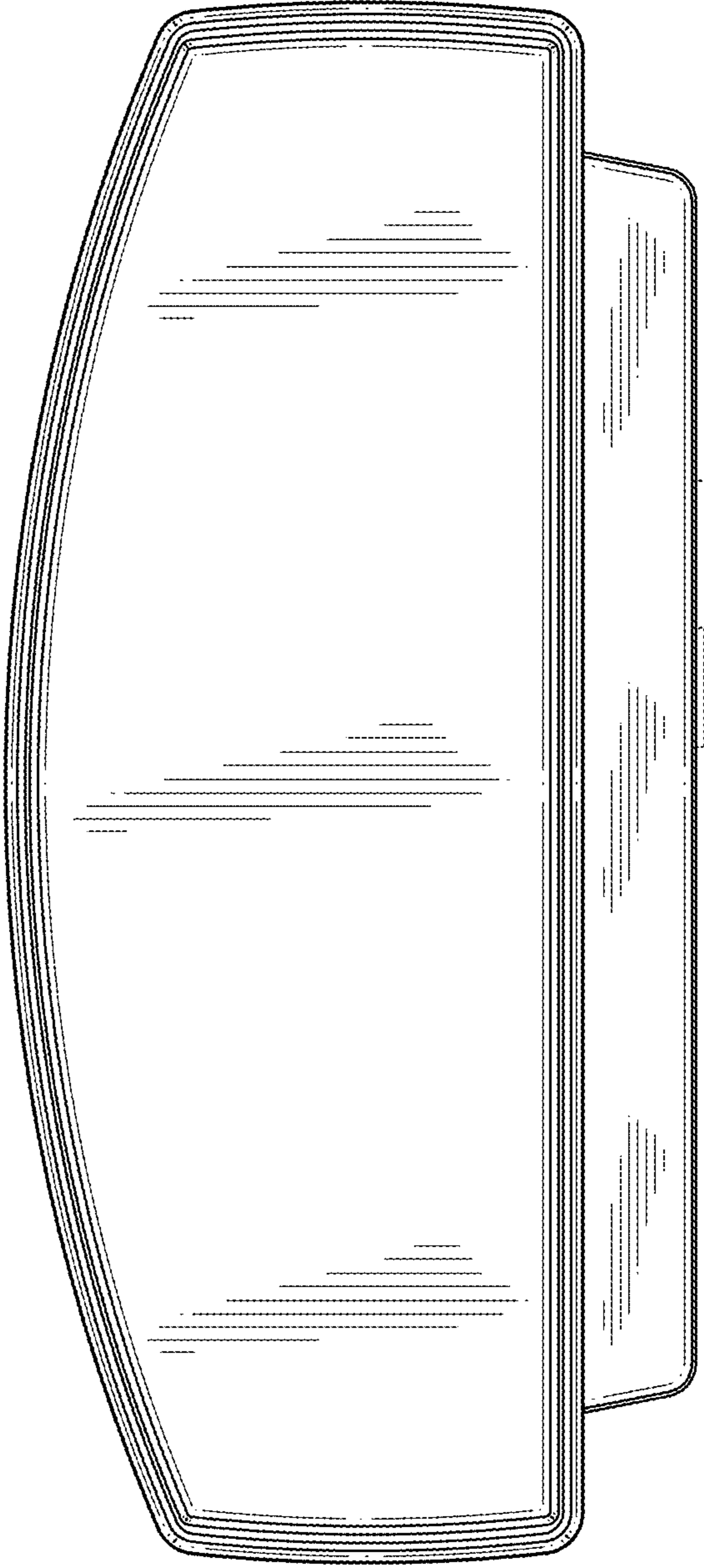


**FIG. 2**



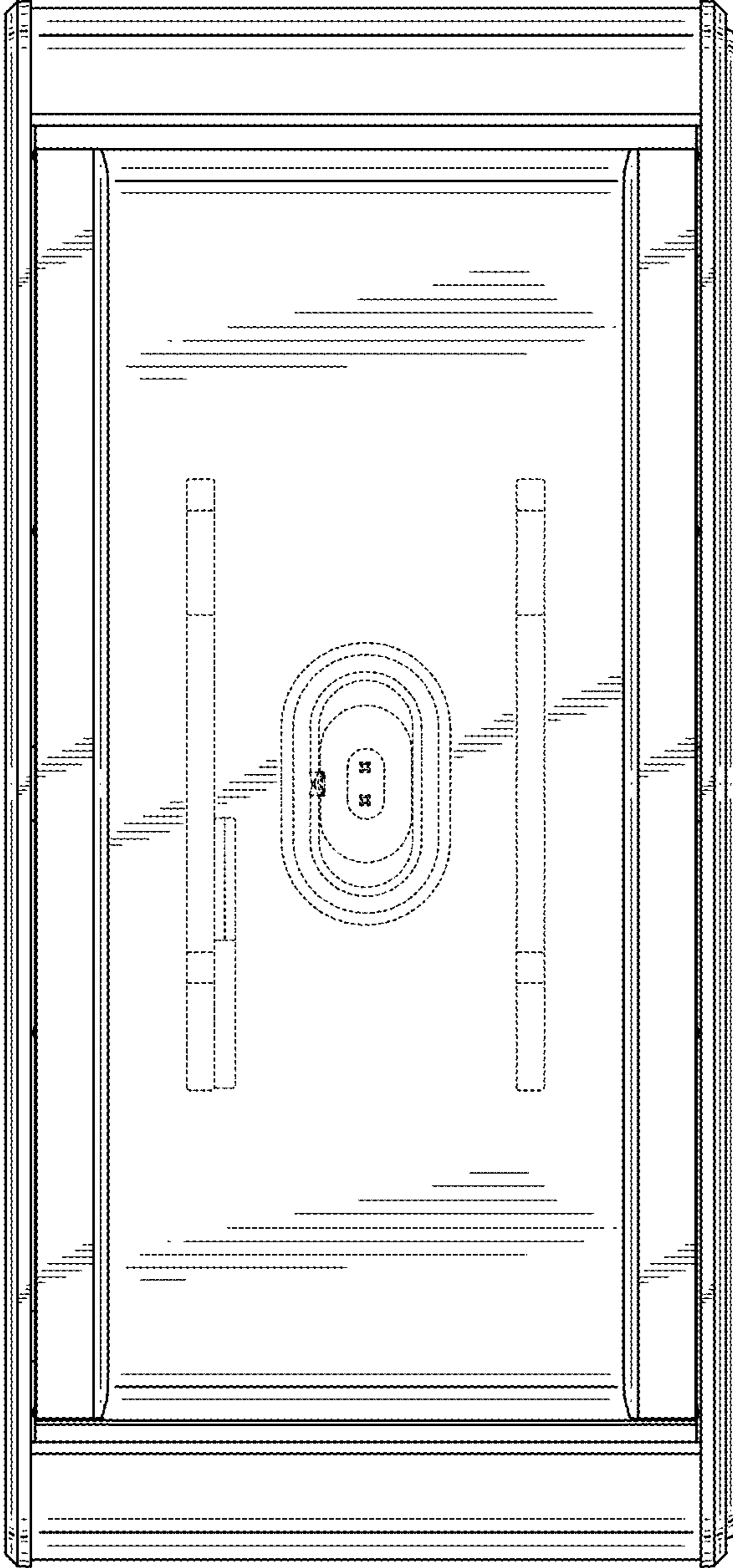


**FIG. 3**

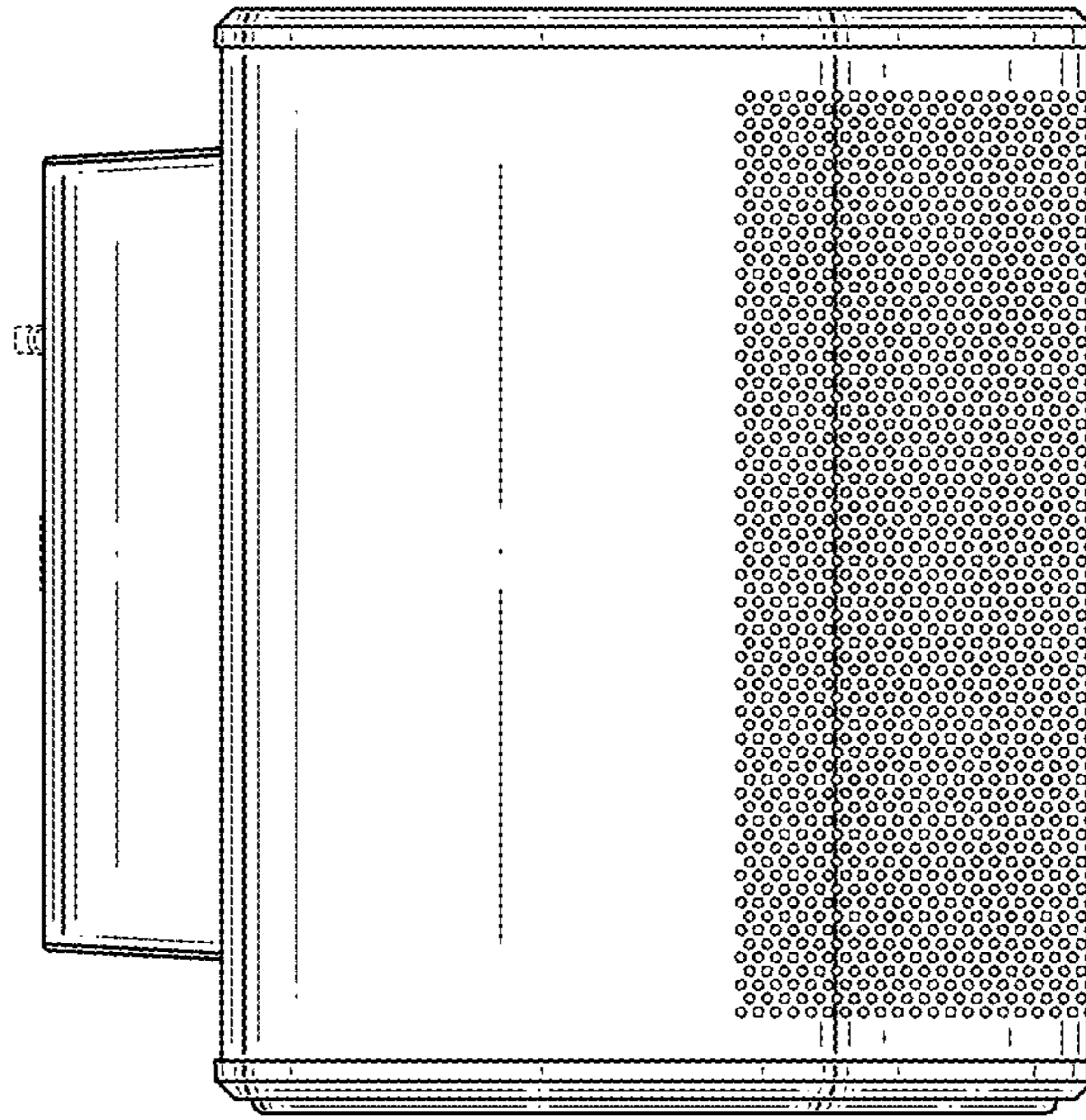


**FIG. 4**

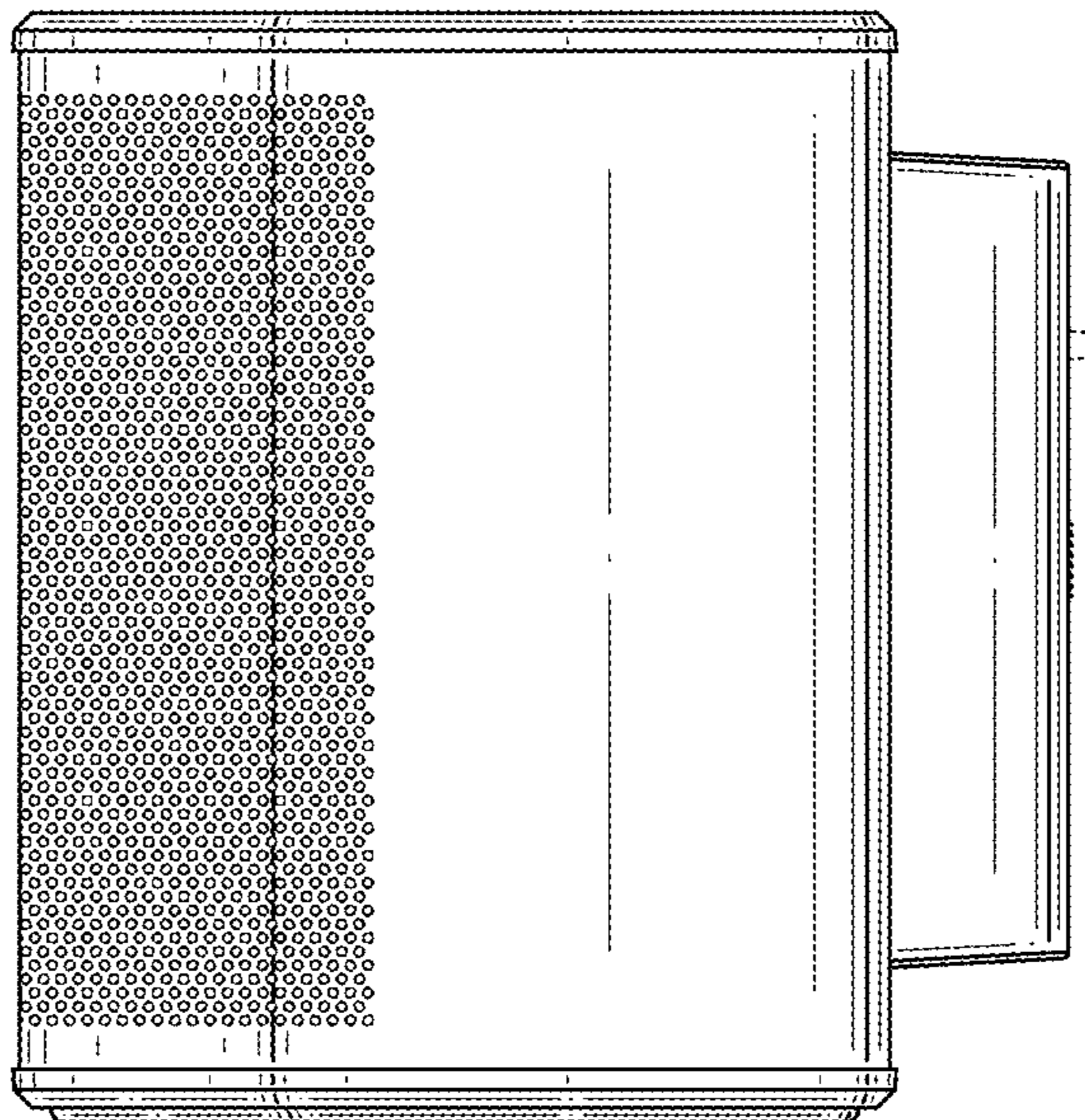




**FIG. 5**



**FIG. 6**



**FIG. 7**