



US00D776638S

(12) **United States Design Patent**  
**Pietschmann et al.**

(10) **Patent No.: US D776,638 S**  
(45) **Date of Patent: \*\* Jan. 17, 2017**

(54) **LOUDSPEAKER**

CPC ..... H04R 1/02; H04R 25/00; H04R 9/06;  
H05K 5/02

(71) Applicant: **ADAM HALL GMBH**, Neu-Anspach  
(DE)

See application file for complete search history.

(72) Inventors: **Alexander Pietschmann**, Neu-Anspach  
(DE); **Francesco Spagnolo**,  
Neu-Anspach (DE)

(56) **References Cited**

U.S. PATENT DOCUMENTS

D392,976 S \* 3/1998 Fenner ..... D14/211  
5,734,728 A \* 3/1998 Meissner ..... H04R 3/02  
181/148

(73) Assignee: **ADAM HALL GMBH**, Neu-Anspach  
(DE)

(Continued)

(\*\*) Term: **15 Years**

FOREIGN PATENT DOCUMENTS

(21) Appl. No.: **29/536,691**

DE 19524123 2/1997  
DE 20320156 4/2004

(22) Filed: **Aug. 19, 2015**

(Continued)

(30) **Foreign Application Priority Data**

*Primary Examiner* — Paula Greene

(74) *Attorney, Agent, or Firm* — Sheridan Ross P.C.

Feb. 19, 2015 (EM) ..... 002637124-0001  
Feb. 19, 2015 (EM) ..... 002637124-0002  
Feb. 19, 2015 (EM) ..... 002637124-0003  
Feb. 19, 2015 (EM) ..... 002637124-0004  
Feb. 19, 2015 (EM) ..... 002637124-0005  
Feb. 19, 2015 (EM) ..... 002637124-0006  
Feb. 19, 2015 (EM) ..... 002637124-0007  
Feb. 19, 2015 (EM) ..... 002637124-0008  
Feb. 19, 2015 (EM) ..... 002637124-0009  
Feb. 19, 2015 (EM) ..... 002637124-0010  
Feb. 19, 2015 (EM) ..... 002637124-0011

(57) **CLAIM**

The ornamental design for a loudspeaker, as shown and described.

(Continued)

**DESCRIPTION**

FIG. 1 is a perspective view of the loudspeaker showing the new design;

FIG. 2 is a right perspective view of a base portion shown separately for purposes of illustration thereof, the left perspective view being a mirror image of the right perspective view;

FIG. 3 is a front perspective view of the base portion thereof; FIG. 4 is a perspective view of a speaker portion, shown separately for purposes of illustration thereof;

FIG. 5 is a front elevation view of the speaker portion thereof, the rear and bottom surfaces of the speaker portion comprise unclaimed subject matter that forms no part of the claimed design; and,

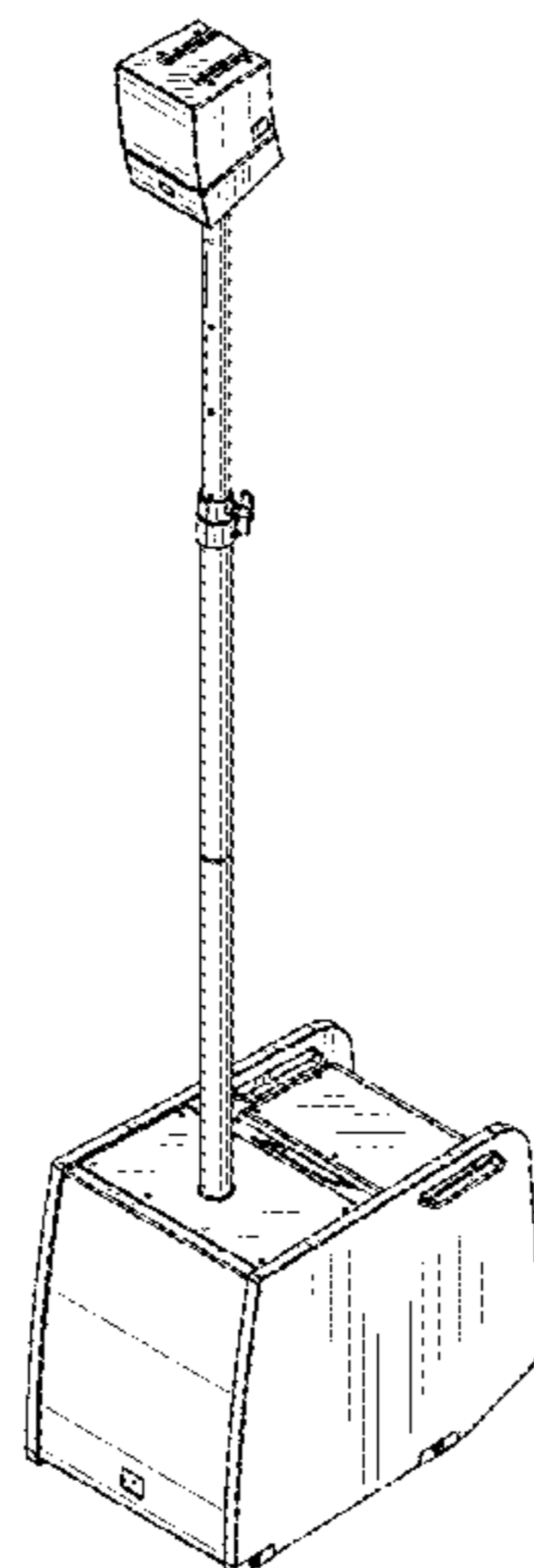
FIG. 6 is a right elevation view of the speaker portion, the left elevation view being a mirror image of the right elevation view.

(51) **LOC (10) Cl.** ..... **14-01**

(52) **U.S. Cl.**  
USPC ..... **D14/209.1**

(58) **Field of Classification Search**  
USPC .... D14/209.1, 216, 204, 207, 208, 210–215,  
D14/172, 168, 203.8, 209, 221, 225–229;  
181/143–144, 147, 148, 150–153, 157,  
181/198–199, 149; 381/300–303, 306,  
381/332–333, 336, 345, 361–364, 386,  
381/397, 388

**1 Claim, 5 Drawing Sheets**



(30) Foreign Application Priority Data

Feb. 19, 2015 (EM) ..... 002637124-0012  
 Feb. 19, 2015 (EM) ..... 002637124-0013

(56) References Cited

U.S. PATENT DOCUMENTS

5,996,728 A \* 12/1999 Stark ..... H04R 1/028  
 181/144  
 D439,237 S \* 3/2001 Felix ..... D14/214  
 D483,026 S \* 12/2003 Koskinen ..... D14/211  
 D525,615 S \* 7/2006 Tanaka ..... D14/211  
 7,261,180 B1 8/2007 Faranda et al.  
 D568,293 S \* 5/2008 Sawhney ..... D14/214  
 D568,294 S \* 5/2008 Sawhney ..... D14/214  
 7,516,932 B2 \* 4/2009 Engebretson ..... H04R 1/026  
 248/317  
 D591,724 S \* 5/2009 Davies ..... D14/214  
 D596,157 S \* 7/2009 Warden ..... D14/211  
 D609,216 S \* 2/2010 Davies ..... D14/214  
 D613,268 S \* 4/2010 Chen ..... D14/211  
 D629,827 S \* 12/2010 Morenstein ..... D16/221  
 D637,580 S \* 5/2011 Aranda, Jr. .... D14/214

D638,400 S \* 5/2011 Hawkins ..... D14/214  
 D642,555 S \* 8/2011 Hawkins ..... D14/214  
 D654,474 S \* 2/2012 Hawkins ..... D14/214  
 D670,266 S \* 11/2012 Swendseid ..... D14/204  
 D674,766 S \* 1/2013 Desrosiers ..... D14/204  
 D675,188 S \* 1/2013 Hawkins ..... D14/204  
 D690,280 S \* 9/2013 Schul ..... D14/168  
 D701,853 S \* 4/2014 Wilson ..... D14/214  
 D705,191 S \* 5/2014 Boudreau ..... D14/214  
 D716,764 S \* 11/2014 Jeon ..... D14/209.1  
 D733,680 S \* 7/2015 Nugent ..... D14/214  
 D754,628 S \* 4/2016 Baird ..... D14/204  
 D763,818 S \* 8/2016 Yang ..... D14/204  
 D764,444 S \* 8/2016 Sulzer ..... D14/210  
 2009/0110228 A1 \* 4/2009 Chien ..... H04R 19/013  
 381/386  
 2016/0127817 A1 \* 5/2016 MacDonald ..... H04R 1/1016  
 381/380

FOREIGN PATENT DOCUMENTS

FR 2520573 7/1983  
 WO WO 92/16081 9/1992

\* cited by examiner

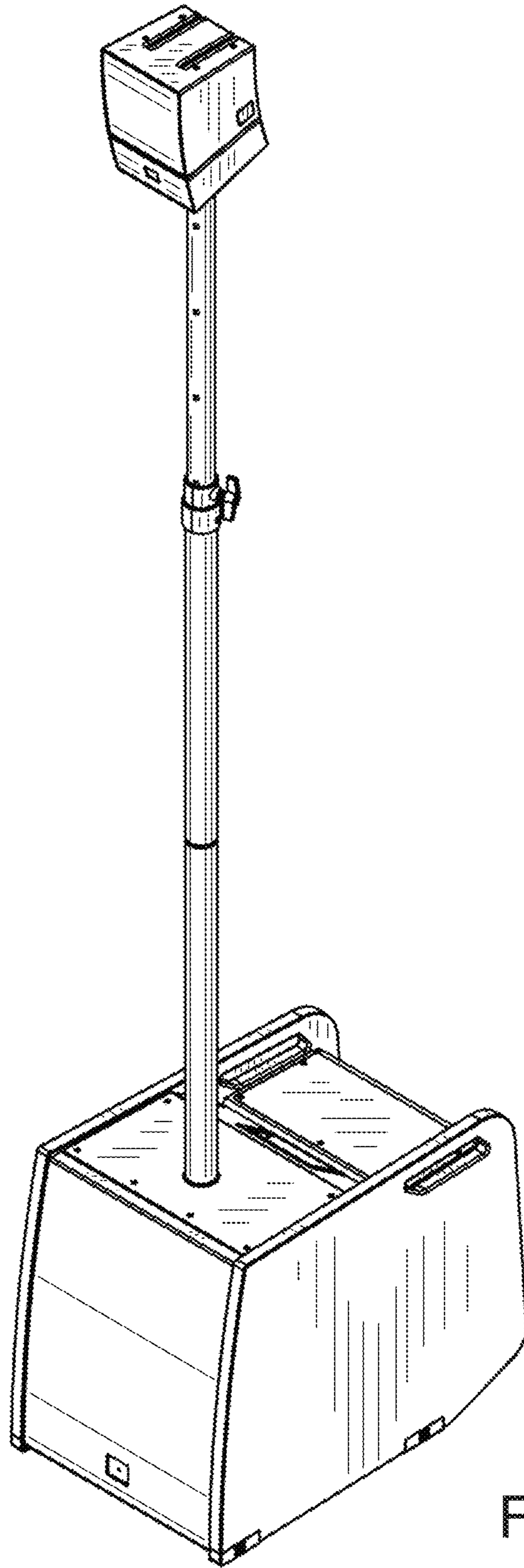


FIG.1

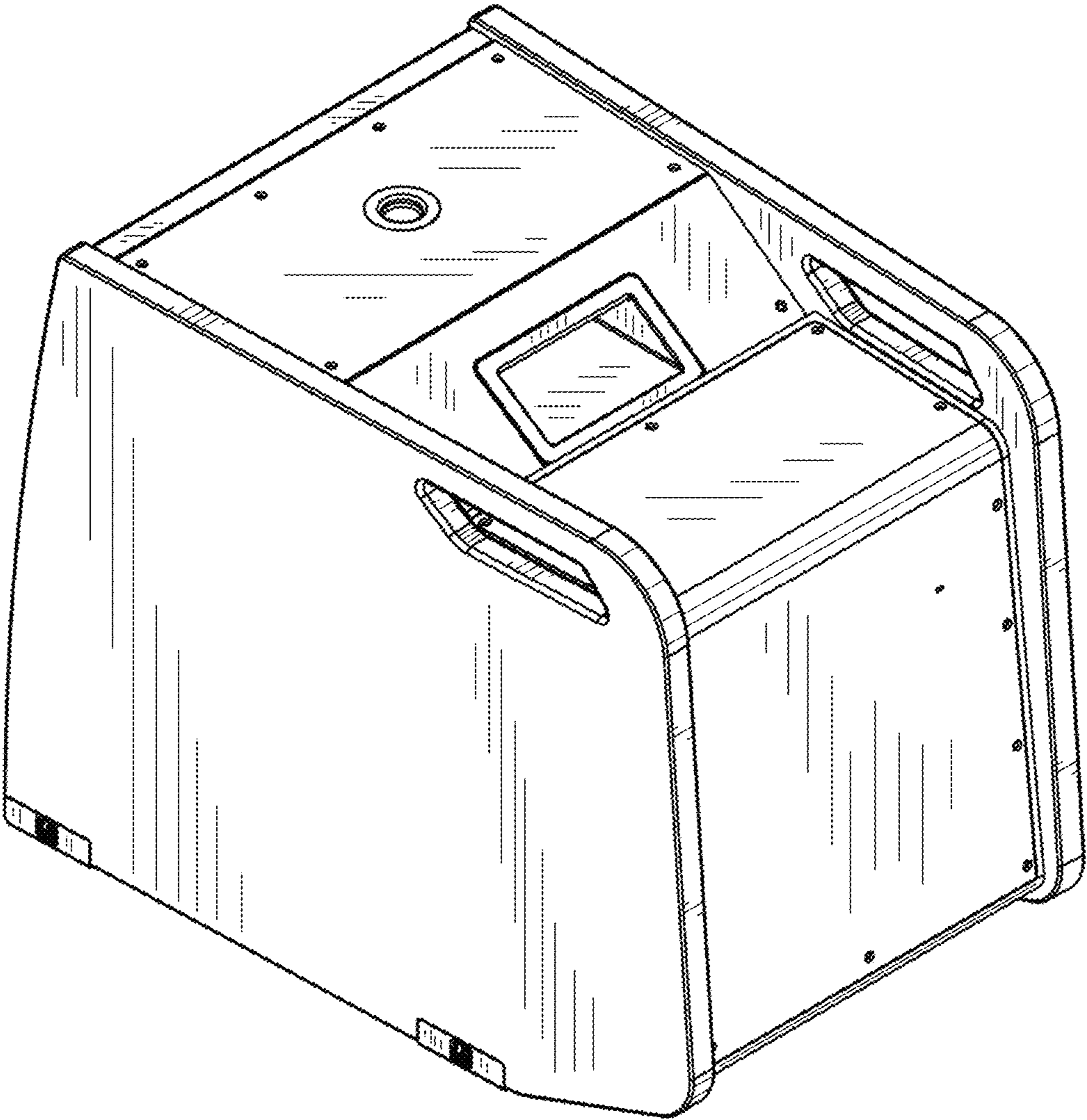


FIG.2

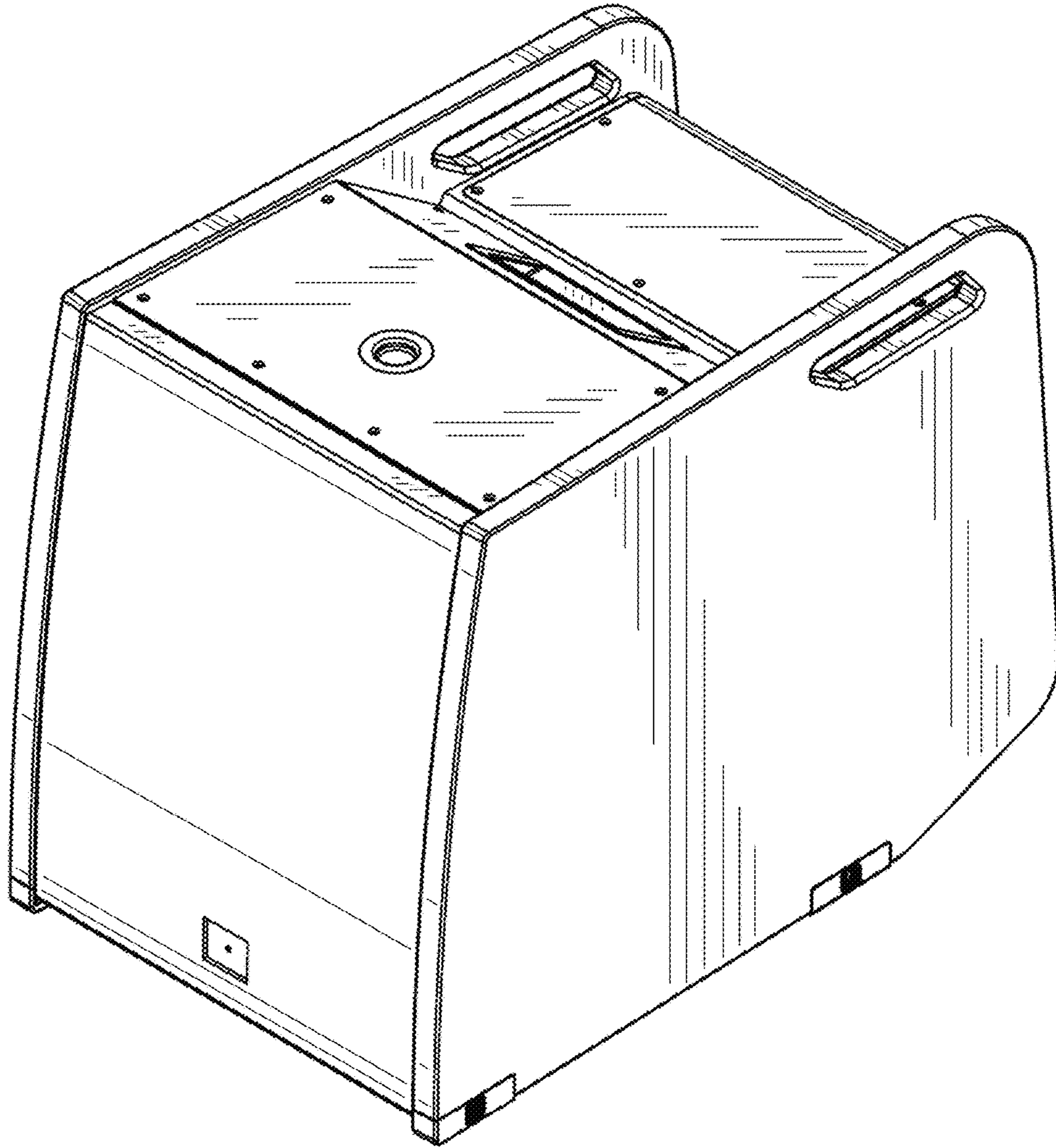


FIG.3

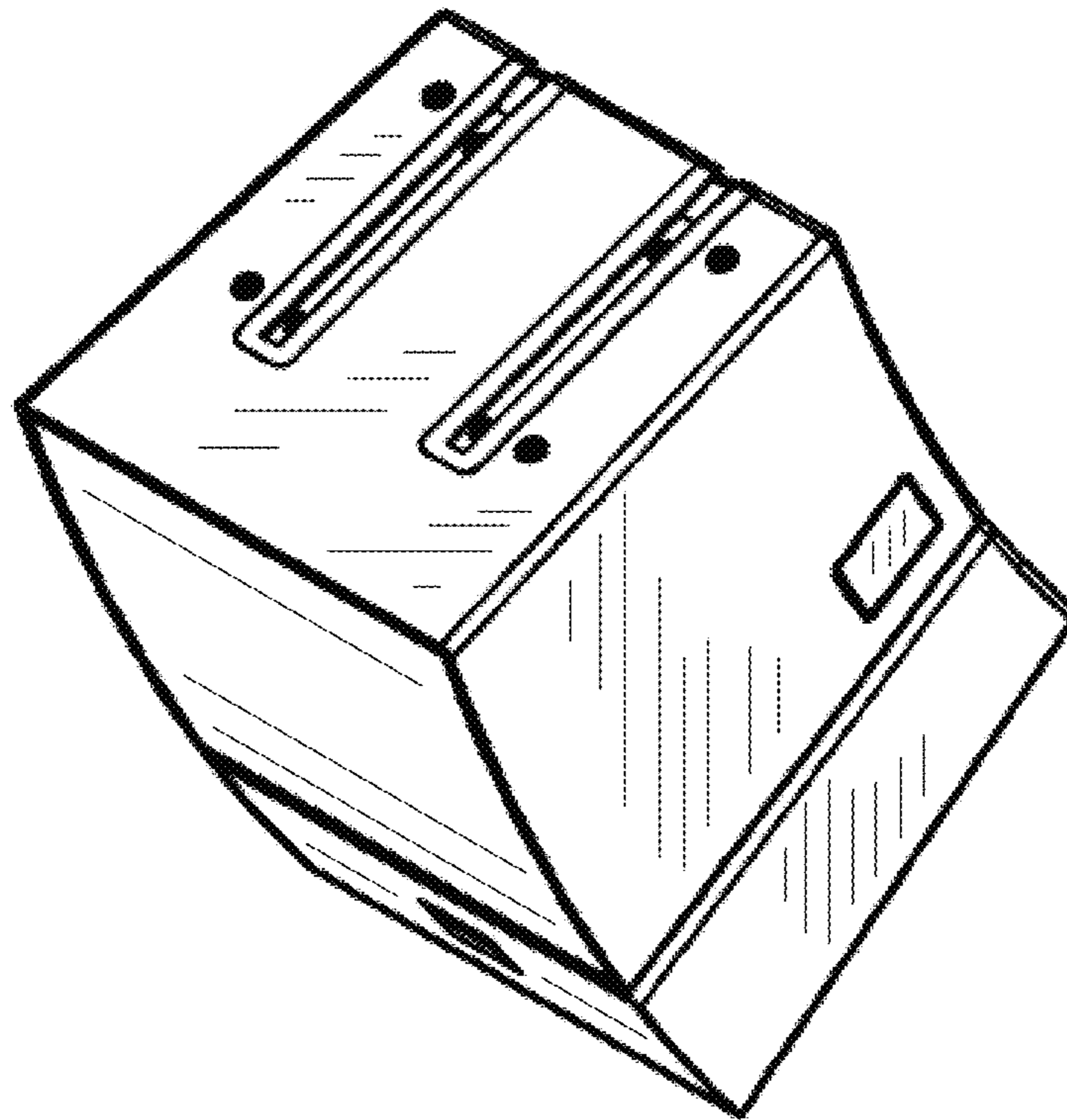


FIG.4

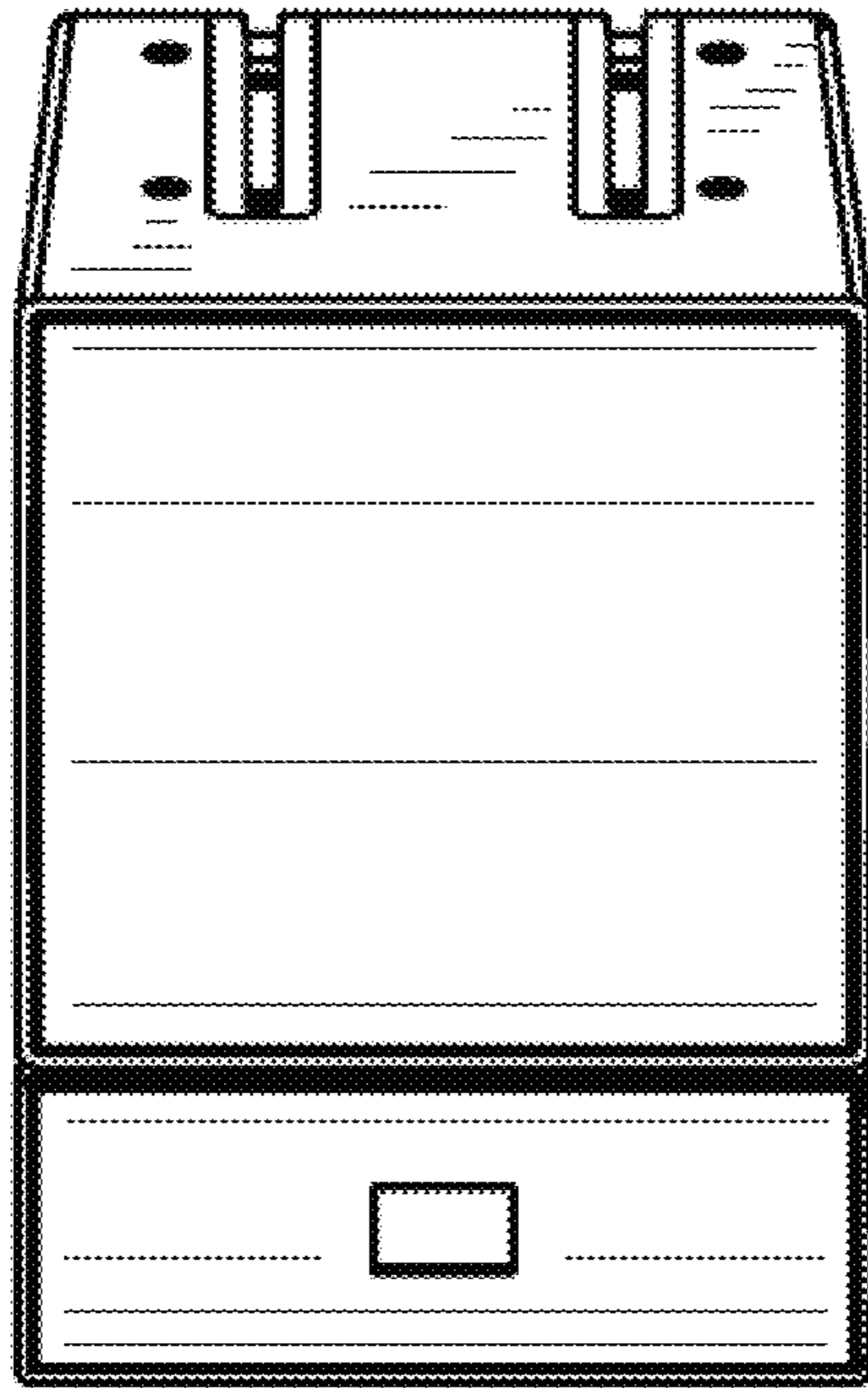


FIG. 5

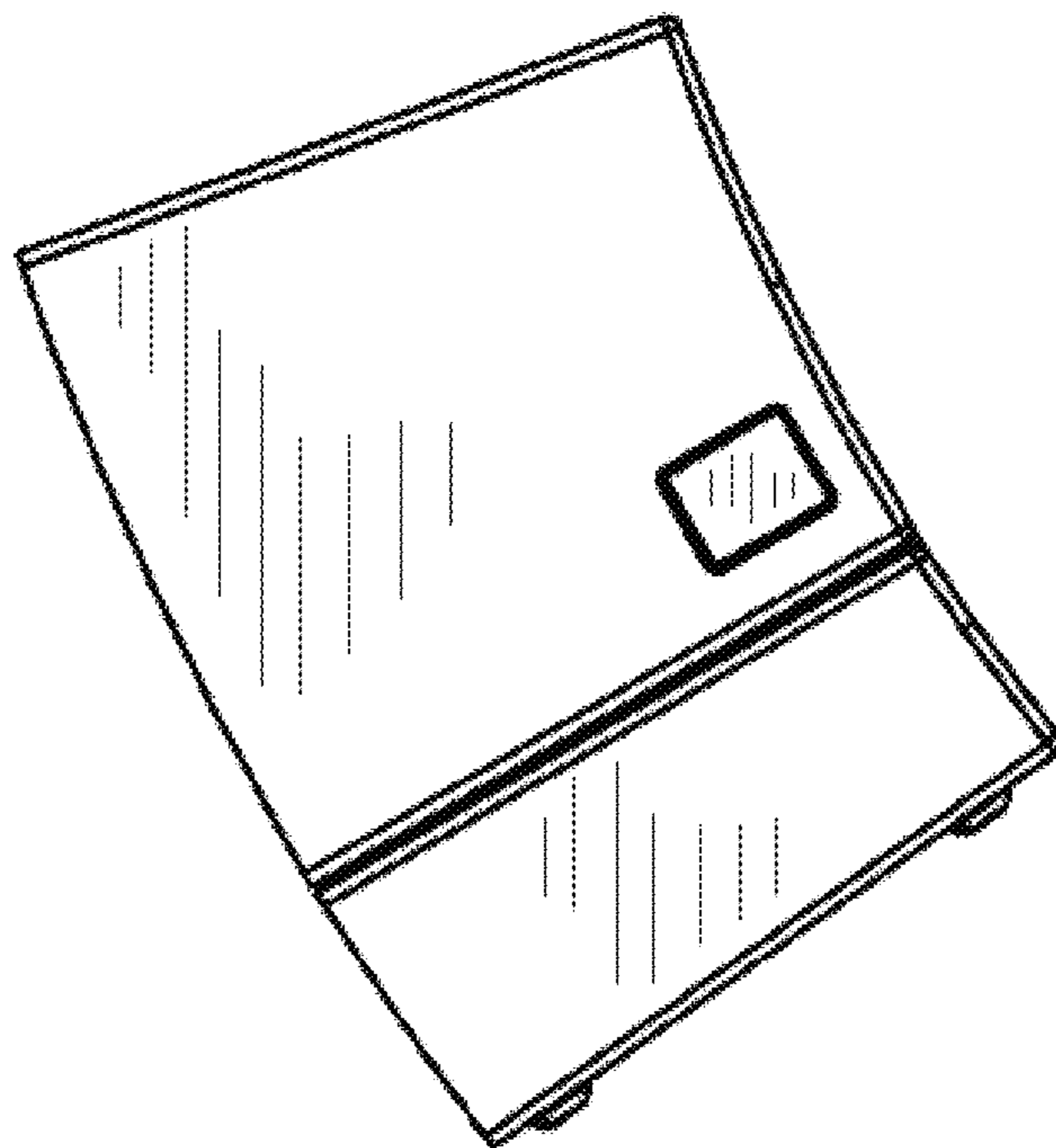


FIG. 6