



US00D776635S

(12) **United States Design Patent**
Chang et al.

(10) **Patent No.:** **US D776,635 S**
(45) **Date of Patent:** **** Jan. 17, 2017**

- (54) **EARPHONE**
- (71) Applicant: **LG ELECTRONICS INC.**, Seoul (KR)
- (72) Inventors: **Heeju Chang**, Seoul (KR); **Hyon Kim**, Seoul (KR)
- (73) Assignee: **LG ELECTRONICS INC.**, Seoul (KR)
- (**) Term: **15 Years**
- (21) Appl. No.: **29/537,257**
- (22) Filed: **Aug. 24, 2015**
- (30) **Foreign Application Priority Data**
Feb. 25, 2015 (KR) 30-2015-0009656
- (51) **LOC (10) Cl.** **14-01**
- (52) **U.S. Cl.**
USPC **D14/205**
- (58) **Field of Classification Search**
USPC D14/205, 223; 181/129, 130, 135; 379/430, 431; 381/380, 381; 455/90.3, 455/575.1
CPC H04R 1/1033; H04R 5/033; H04R 5/0335; H04R 1/10; H04R 25/00; H04R 1/1016
See application file for complete search history.

- (56) **References Cited**
U.S. PATENT DOCUMENTS
2,501,107 A * 3/1950 Volkmann H04R 5/0335 381/374
D318,670 S * 7/1991 Taniguchi D14/205
D326,655 S * 6/1992 Iribe D14/192
D334,043 S * 3/1993 Taniguchi D14/218
5,887,720 A * 3/1999 Lin H04R 1/10 206/38
6,871,732 B2 * 3/2005 Flint H02G 11/00 191/12 R

- D569,841 S * 5/2008 Chung D14/205
- D578,507 S * 10/2008 Ando D14/205
- D578,508 S * 10/2008 Wang D14/206
- D599,778 S * 9/2009 Ando D14/205
- D603,380 S * 11/2009 Hutchieson D14/223
- D605,628 S * 12/2009 Ando D14/205
- D607,875 S * 1/2010 Pedersen, II D14/206
- D618,211 S * 6/2010 Oguro D14/205
- D637,998 S * 5/2011 Brunner D14/205
- D637,999 S * 5/2011 Brunner D14/205
- D642,163 S * 7/2011 Lee D14/223
- D643,414 S * 8/2011 Lee D14/205
- D652,817 S * 1/2012 Lee D14/205
- D652,822 S * 1/2012 Lee D14/223
- D654,056 S * 2/2012 Hoggarth D14/205
- D666,581 S * 9/2012 Perez D14/223
- D668,244 S * 10/2012 Matsumura D14/223
- D685,764 S * 7/2013 Coulter D14/205
- D687,410 S * 8/2013 Fletcher D14/205
- D698,750 S * 2/2014 Yoon D14/205
- D698,761 S * 2/2014 Bao D14/223
- D699,226 S * 2/2014 Yoon D14/206
- D700,905 S * 3/2014 Pavitsich D14/223

(Continued)

Primary Examiner — Paula Greene
(74) *Attorney, Agent, or Firm* — Birch, Stewart, Kolasch & Birch, LLP

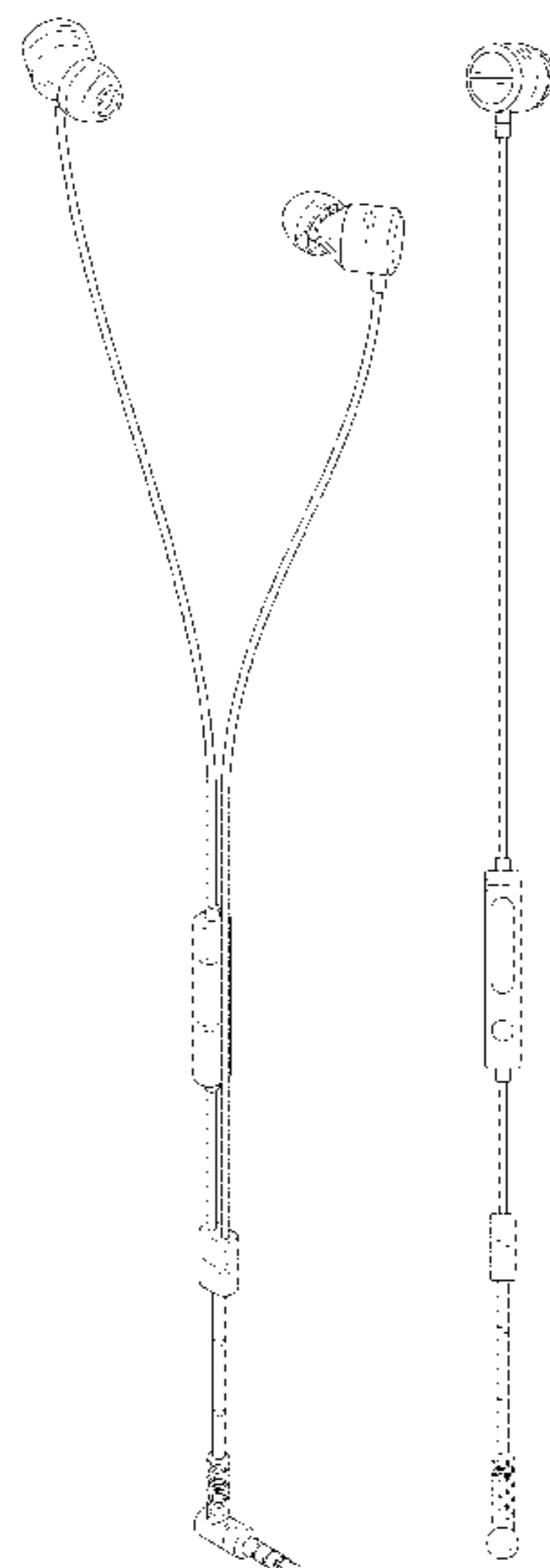
(57) **CLAIM**

The ornamental design for an earphone, as shown and described.

DESCRIPTION

FIG. 1 is a perspective view of an earphone showing our new design;
FIG. 2 is a front view thereof;
FIG. 3 is a rear view thereof;
FIG. 4 is a left side view thereof;
FIG. 5 is a right side view thereof;
FIG. 6 is a top plan view thereof; and,
FIG. 7 is a bottom plan view thereof.

1 Claim, 6 Drawing Sheets



(56)

References Cited

U.S. PATENT DOCUMENTS

D711,356 S * 8/2014 Yang D14/223
D711,858 S * 8/2014 Yang D14/223
8,831,266 B1 * 9/2014 Huang H04R 1/1091
381/370
D718,273 S * 11/2014 Harata D14/205
D718,286 S * 11/2014 Yang D14/223
D719,548 S * 12/2014 Thompson D14/223
D726,165 S * 4/2015 Kawaji D14/223
D727,871 S * 4/2015 Orbach D14/205
D729,775 S * 5/2015 Seo D14/205
9,031,264 B2 * 5/2015 Yang H04R 1/1033
381/189
D745,489 S * 12/2015 Bjelle D14/205
D746,792 S * 1/2016 Kim D14/205
2007/0098201 A1 * 5/2007 Chen H04R 1/1016
381/380
2010/0027831 A1 * 2/2010 Lee H04R 1/1033
381/384
2012/0170789 A1 * 7/2012 Lin H04R 1/1033
381/384
2013/0170692 A1 * 7/2013 Kaneko H04R 1/1033
381/380
2015/0382099 A1 * 12/2015 Chu H04R 1/2811
381/370

* cited by examiner

FIG. 1

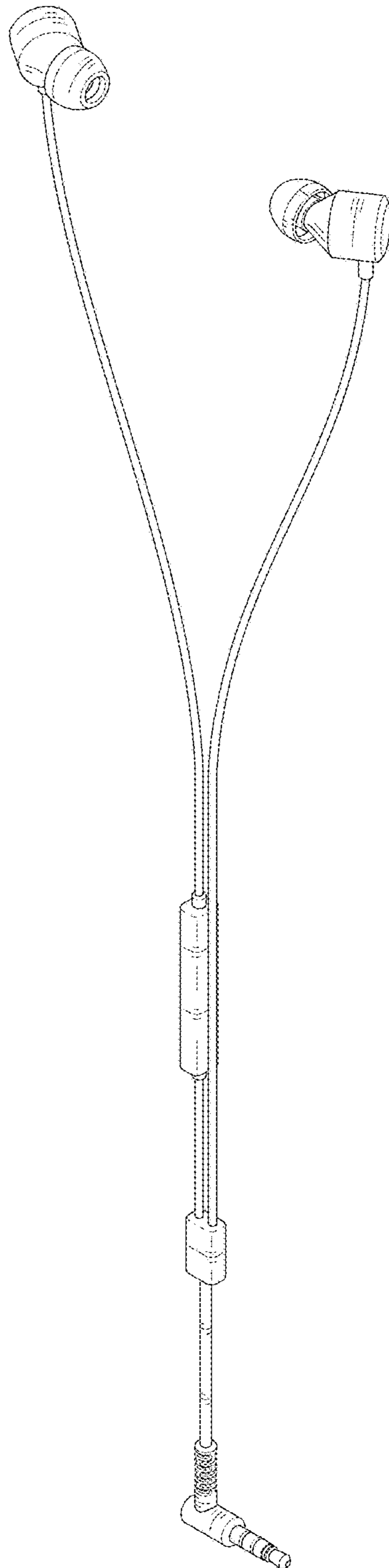


FIG. 2

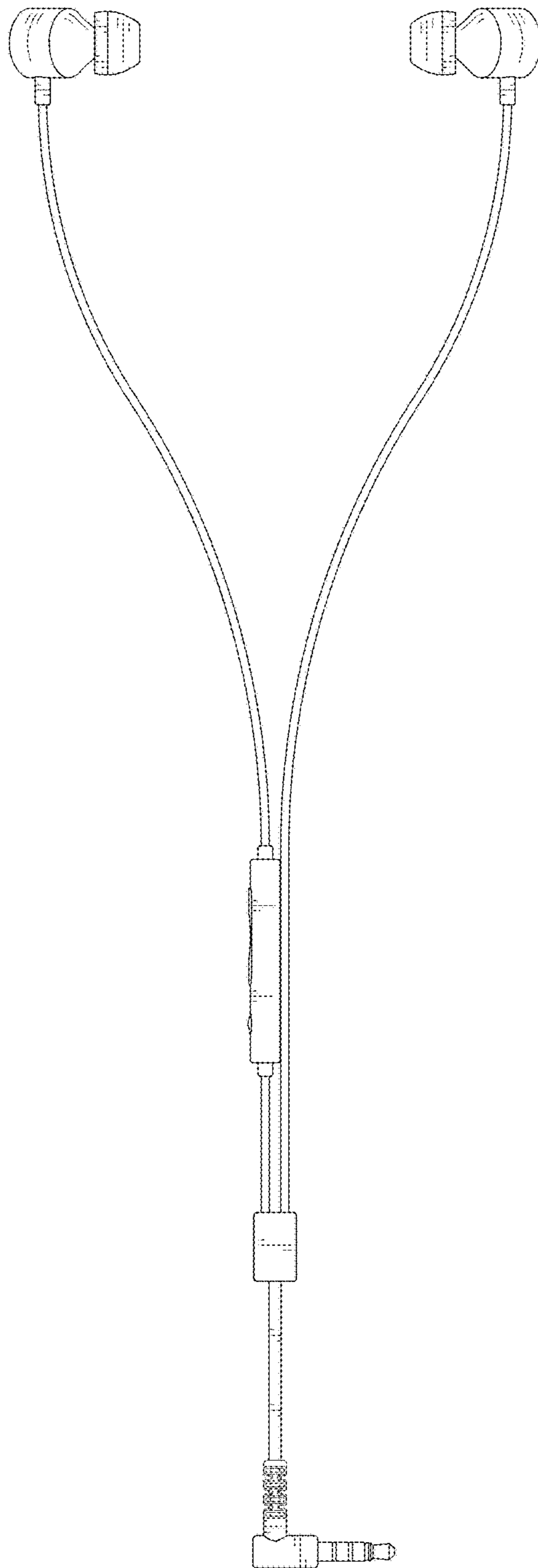


FIG. 3

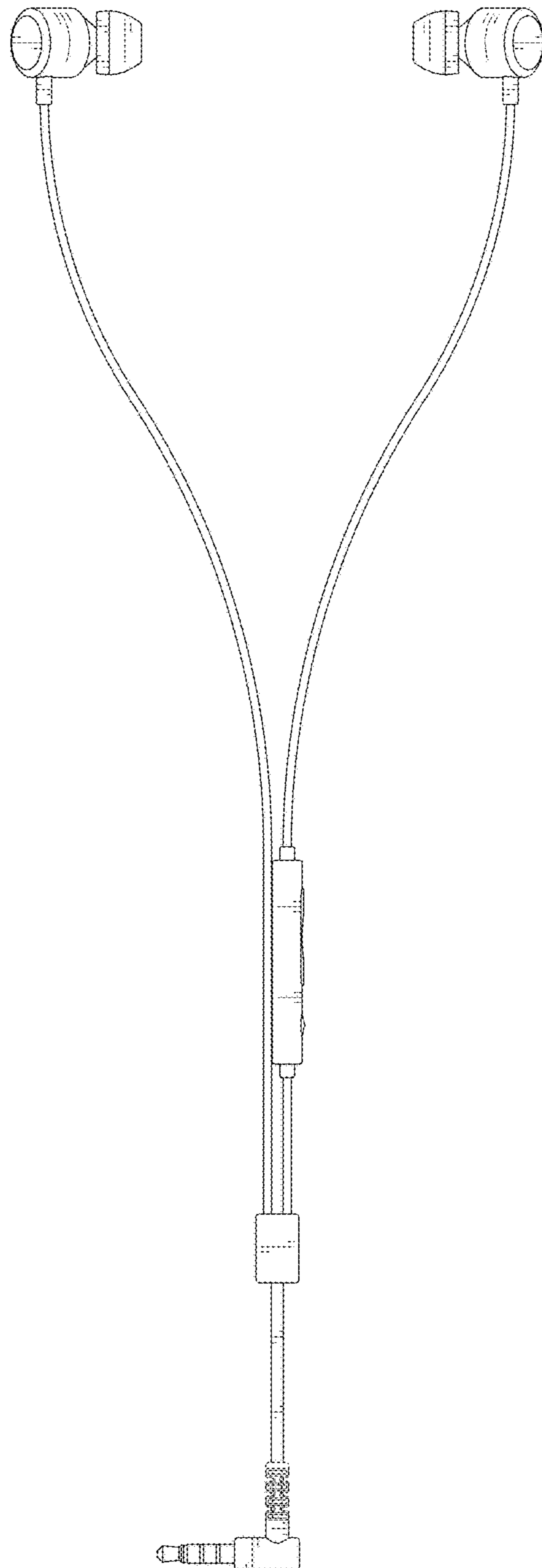


FIG. 4

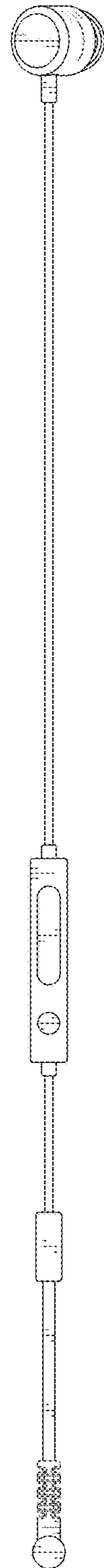


FIG. 5

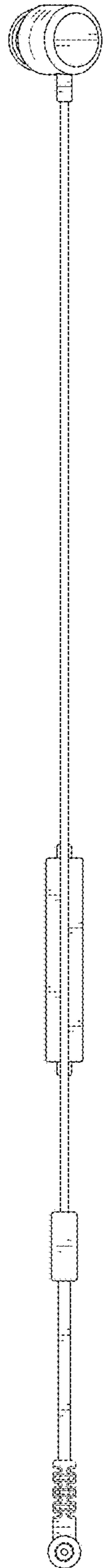


FIG. 6

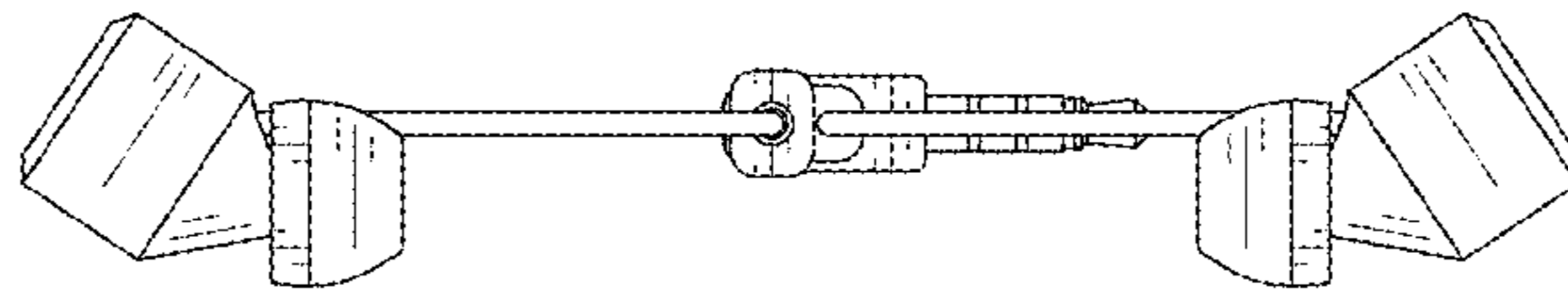


FIG. 7

